



US00D800372S

(12) **United States Design Patent** (10) **Patent No.:** **US D800,372 S**
Bull (45) **Date of Patent:** **** Oct. 17, 2017**

(54) **LAMP WITH HOURGLASS GLOBE**

D323,224 S * 1/1992 Schumaker D26/110
D353,015 S * 11/1994 Hutton D26/106
D366,719 S * 1/1996 Porter D26/93
D437,964 S * 2/2001 Somerville D26/93
D462,136 S * 8/2002 Stokes D26/110

(71) Applicant: **Lifespan Brands LLC**, Elk Grove Village, IL (US)

(72) Inventor: **Jeffrey W Bull**, Naperville, IL (US)

* cited by examiner

(**) Term: **15 Years**

Primary Examiner — Brian N Vinson

(21) Appl. No.: **29/578,553**

(74) *Attorney, Agent, or Firm* — Knechtel, Demeur & Samlan

(22) Filed: **Sep. 22, 2016**

(57) **CLAIM**

(51) **LOC (10) Cl.** **26-03**

I claim the ornamental design for a lamp with hourglass globe, as shown and described.

(52) **U.S. Cl.**

DESCRIPTION

USPC **D26/110**

(58) **Field of Classification Search**

USPC D26/1, 24, 67, 93–94, 104–110, 95, 101,
D26/112, 118; D11/131, 157, 184
CPC .. F21Y 2103/00; F21Y 2101/02; F21V 15/00;
F21V 25/00; F21S 6/002

See application file for complete search history.

FIG. 1 is a top perspective view taken of the lamp with hourglass globe showing my new design;
FIG. 2 is an exploded top perspective view of the lamp with hourglass globe;
FIG. 3 is a top view thereof;
FIG. 4 is a bottom view thereof;
FIG. 5 is a front view thereof;
FIG. 6 is a left side view thereof; and,
FIG. 7 is a rear view thereof.

The broken line disclosure represents portions of the lamp which form no part of the claimed design.

(56) **References Cited**

U.S. PATENT DOCUMENTS

D95,522 S * 5/1935 Laxer D26/110
4,507,716 A * 3/1985 Benedict, Jr. F21S 6/002
362/295

1 Claim, 5 Drawing Sheets

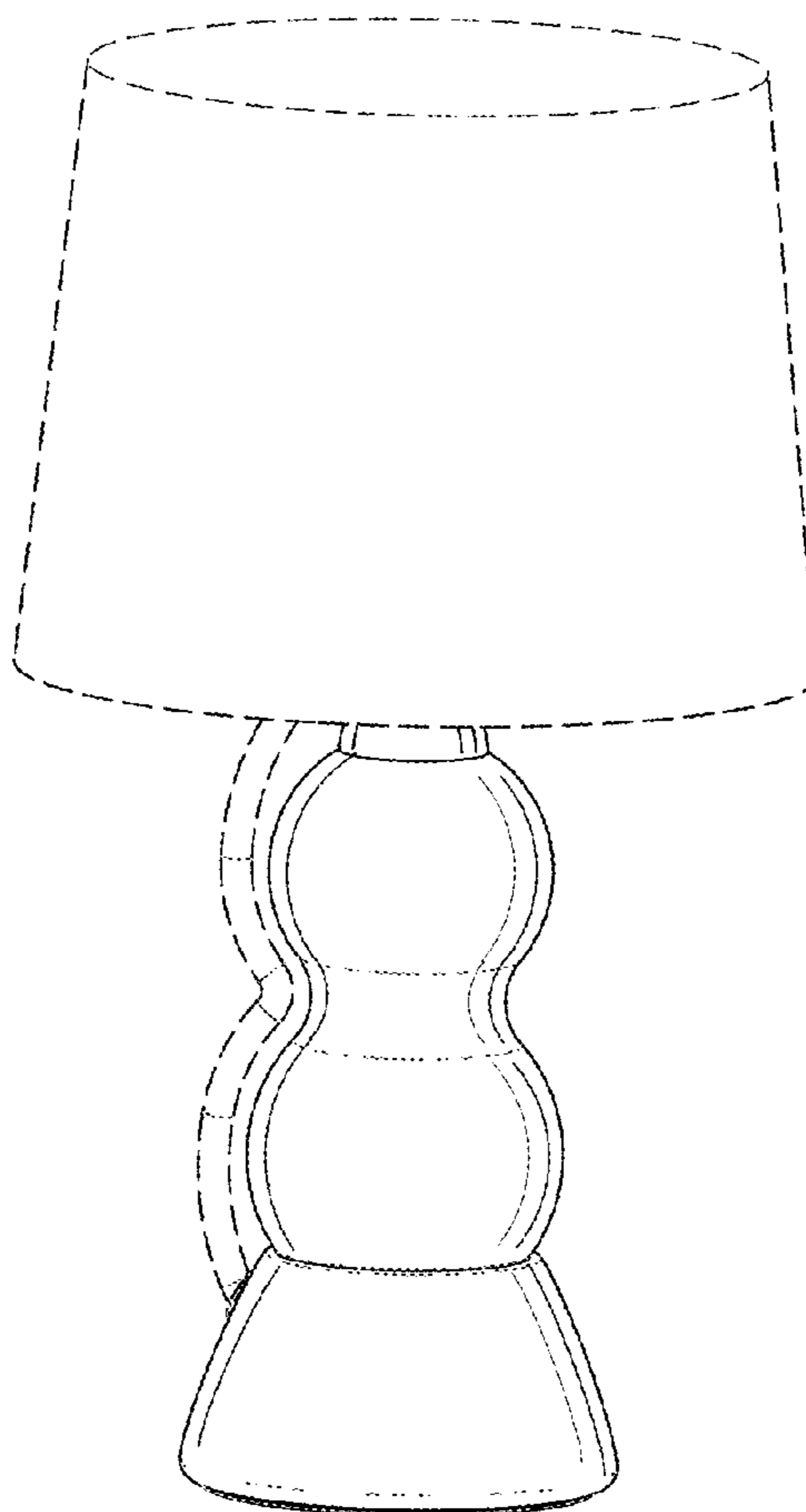


Fig. 1

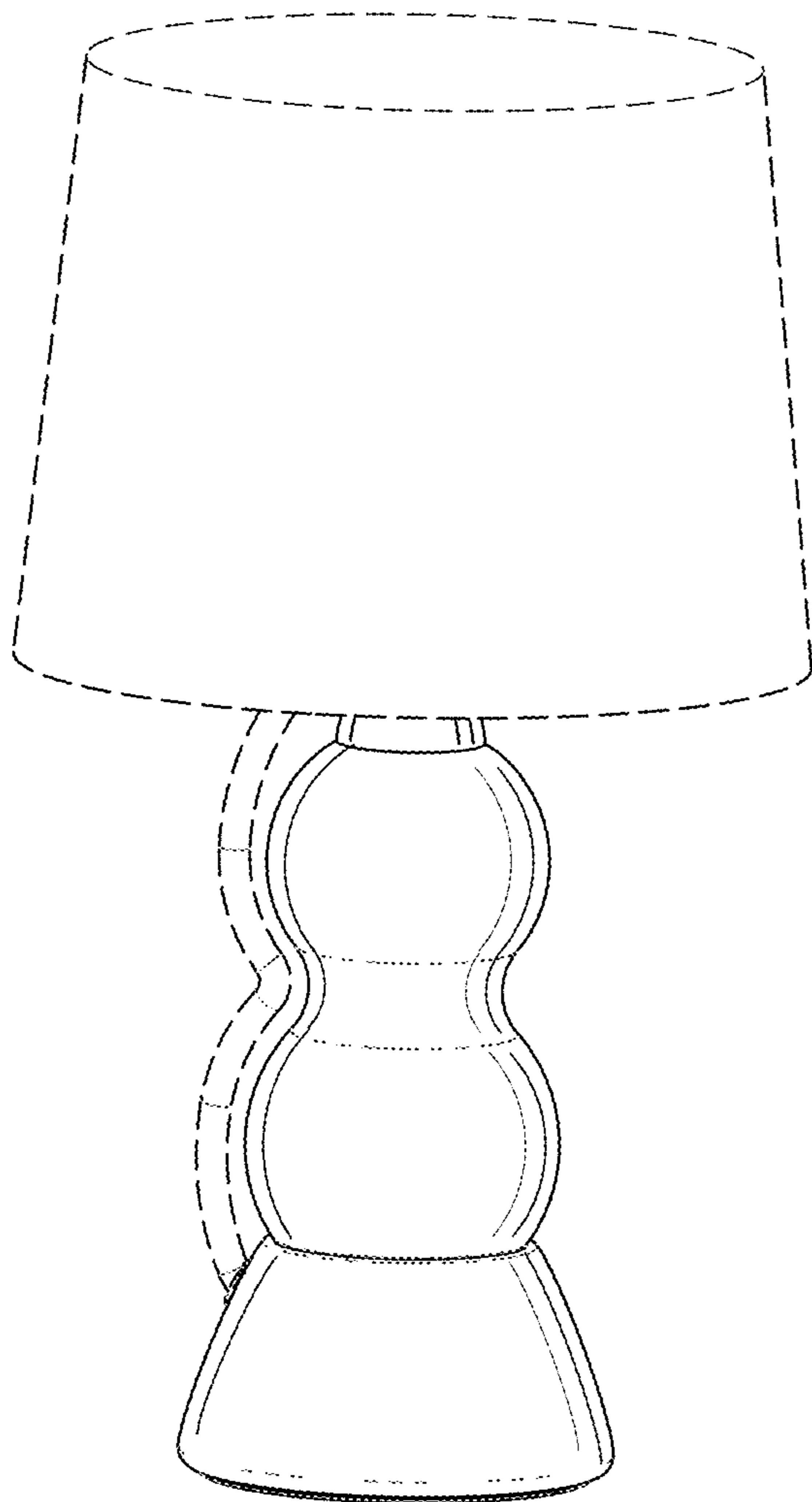


Fig. 2

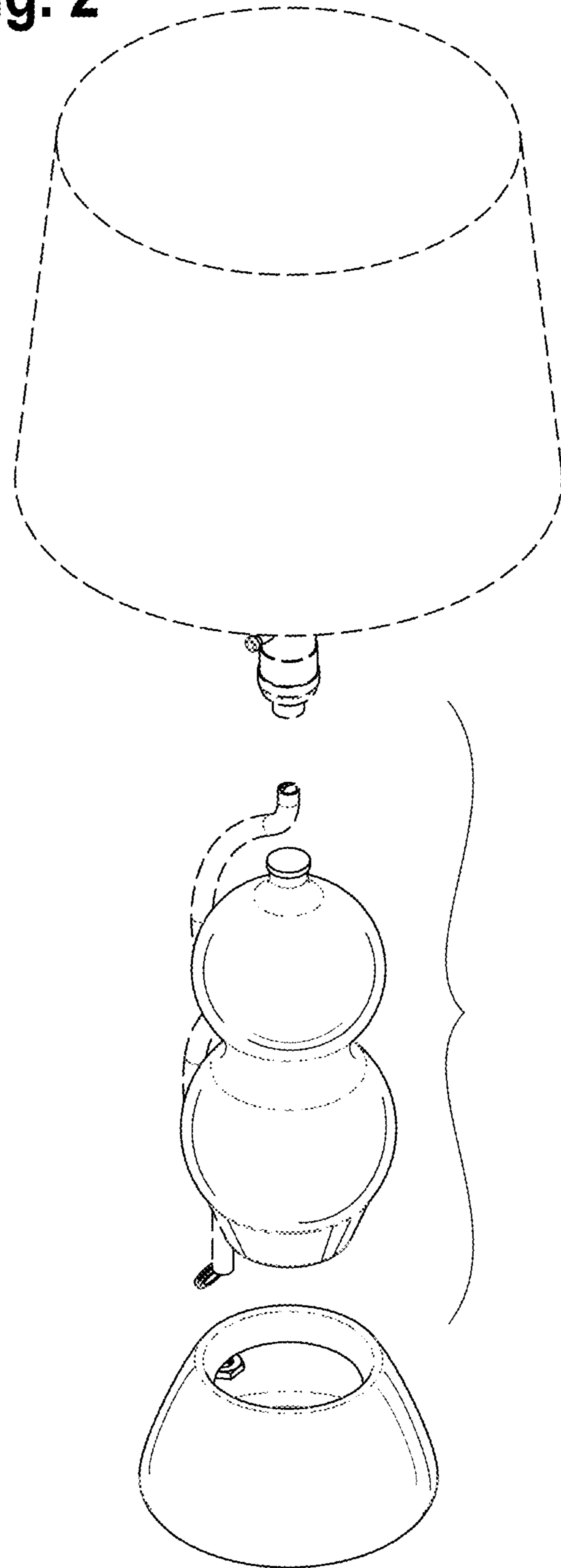


Fig. 3

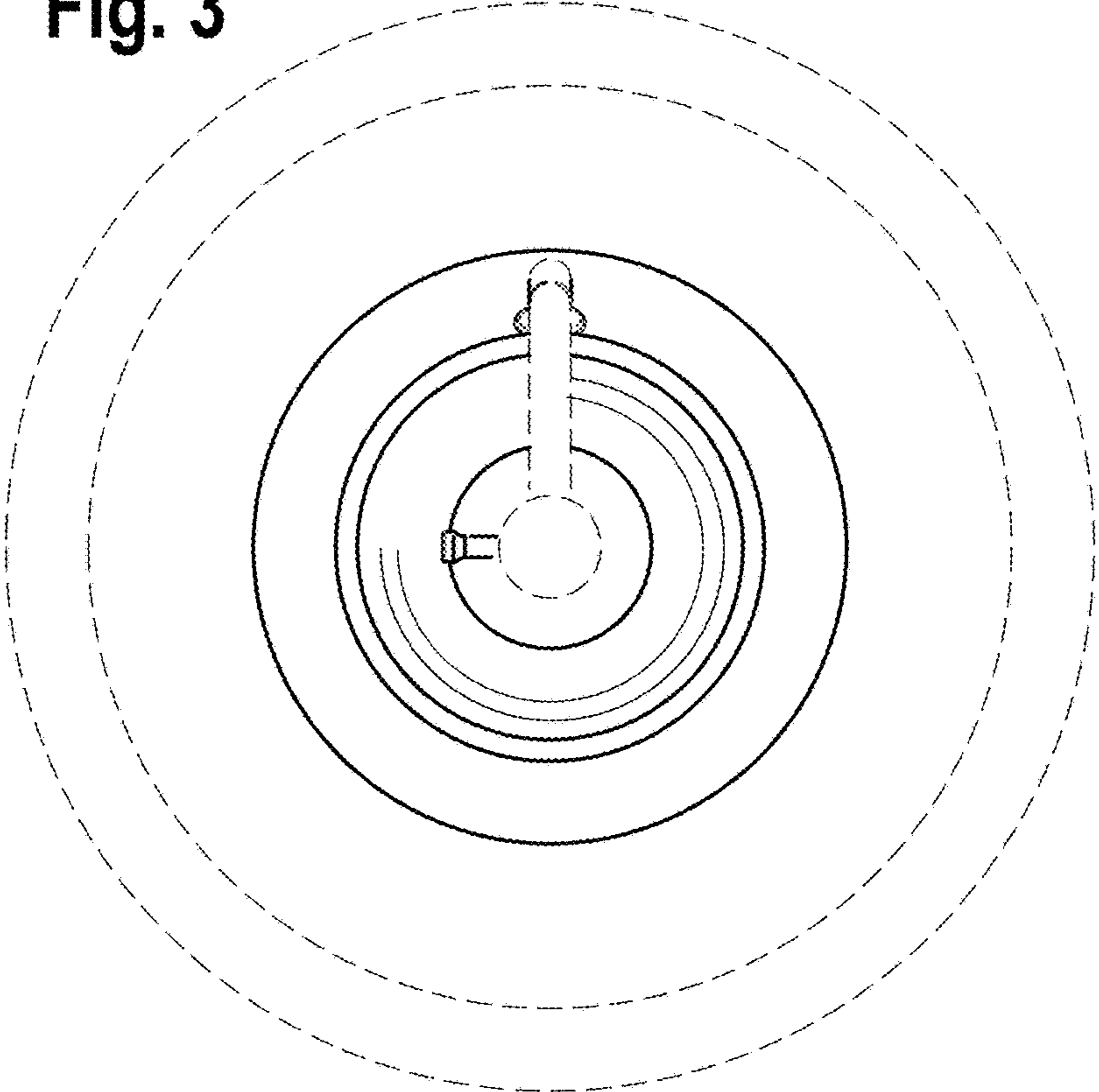


Fig. 4

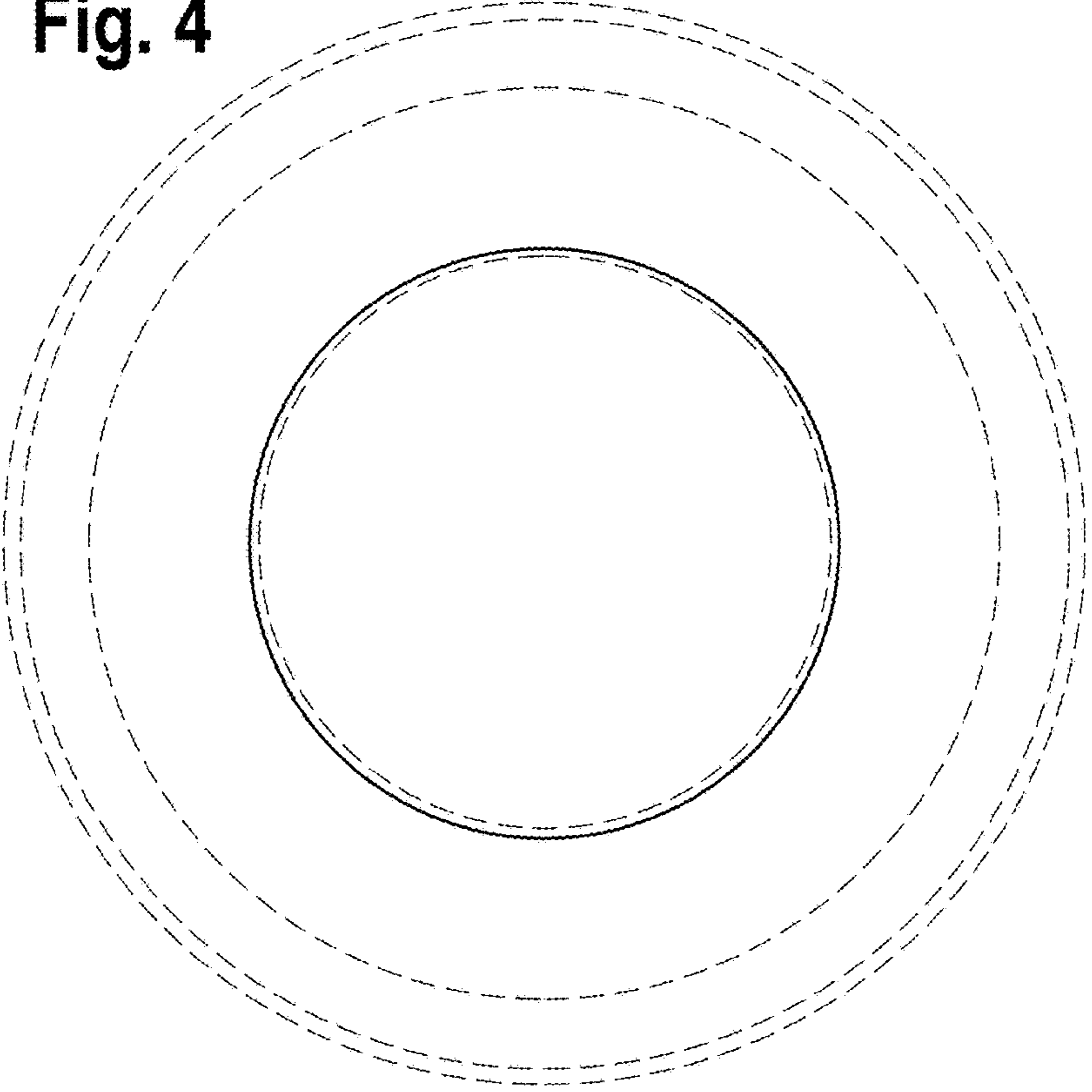


Fig. 5

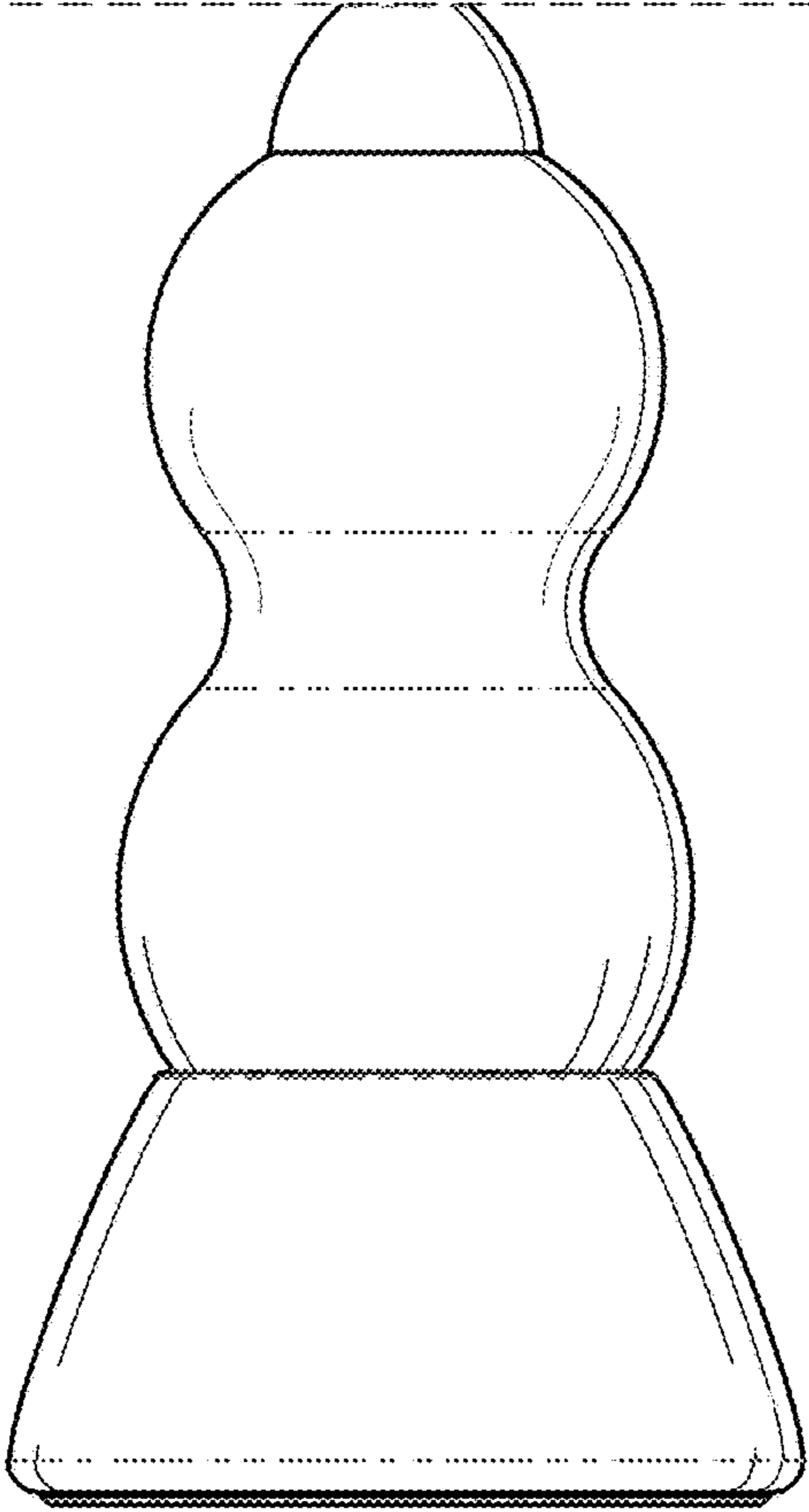
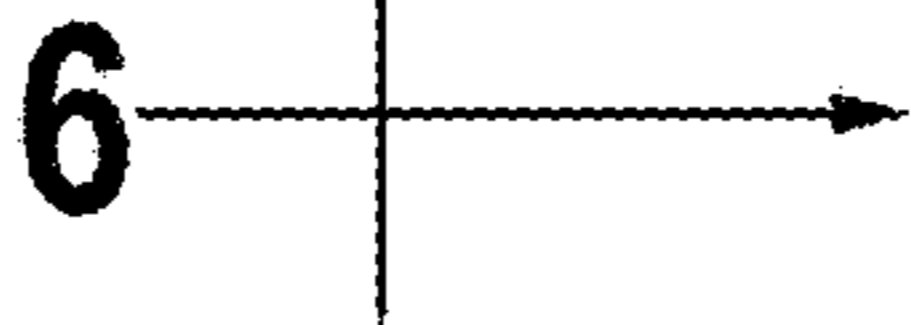


Fig. 6

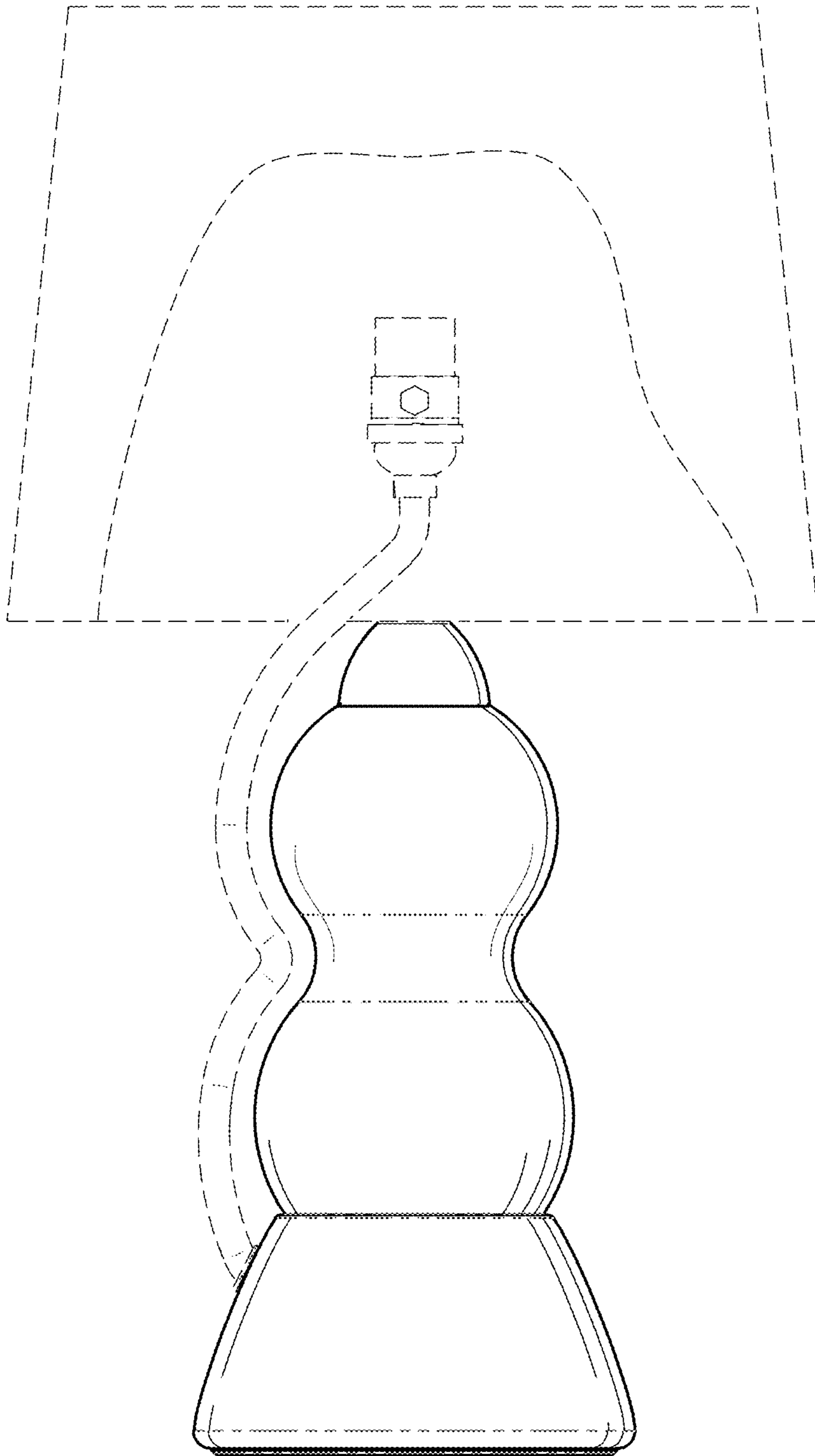


Fig. 7

