



US00D800371S

(12) **United States Design Patent** (10) **Patent No.:** **US D800,371 S**
Bull (45) **Date of Patent:** **** Oct. 17, 2017**

- (54) **LAMP WITH CONICAL GLOBE**
- (71) Applicant: **Lifespan Brands LLC**, Elk Grove Village, IL (US)
- (72) Inventor: **Jeffrey W Bull**, Naperville, IL (US)
- (**) Term: **15 Years**
- (21) Appl. No.: **29/578,545**
- (22) Filed: **Sep. 22, 2016**
- (51) **LOC (10) Cl.** **26-03**
- (52) **U.S. Cl.**
USPC **D26/110**
- (58) **Field of Classification Search**
USPC D26/1, 24, 67, 93-94, 104-110, 95, 101, D26/112, 118; D11/131, 157, 184
CPC .. F21Y 2103/00; F21Y 2101/02; F21V 15/00; F21V 25/00; F21S 6/002
See application file for complete search history.

- D323,224 S * 1/1992 Schumaker D26/110
- D353,015 S * 11/1994 Hutton D26/106
- D366,719 S * 1/1996 Porter D26/93
- D437,964 S * 2/2001 Somerville D26/93
- D462,136 S * 8/2002 Stokes D26/110

* cited by examiner

Primary Examiner — Brian N Vinson
(74) *Attorney, Agent, or Firm* — Knechtel, Demeur & Samlan

(57) **CLAIM**

I claim the ornamental design for a lamp with conical globe, as shown and described.

DESCRIPTION

FIG. 1 is a top perspective view taken of the lamp with conical globe showing my new design;
FIG. 2 is an exploded top perspective view of the lamp with conical globe;
FIG. 3 is a top view thereof;
FIG. 4 is a bottom view thereof;
FIG. 5 is a front view thereof;
FIG. 6 is a left side view thereof; and,
FIG. 7 is a rear view thereof.
The broken line disclosure represents portions of the lamp which form no part of the claimed design.

(56) **References Cited**
U.S. PATENT DOCUMENTS

- D95,522 S * 5/1935 Laxer D26/110
- 4,507,716 A * 3/1985 Benedict, Jr. F21S 6/002
362/295

1 Claim, 5 Drawing Sheets

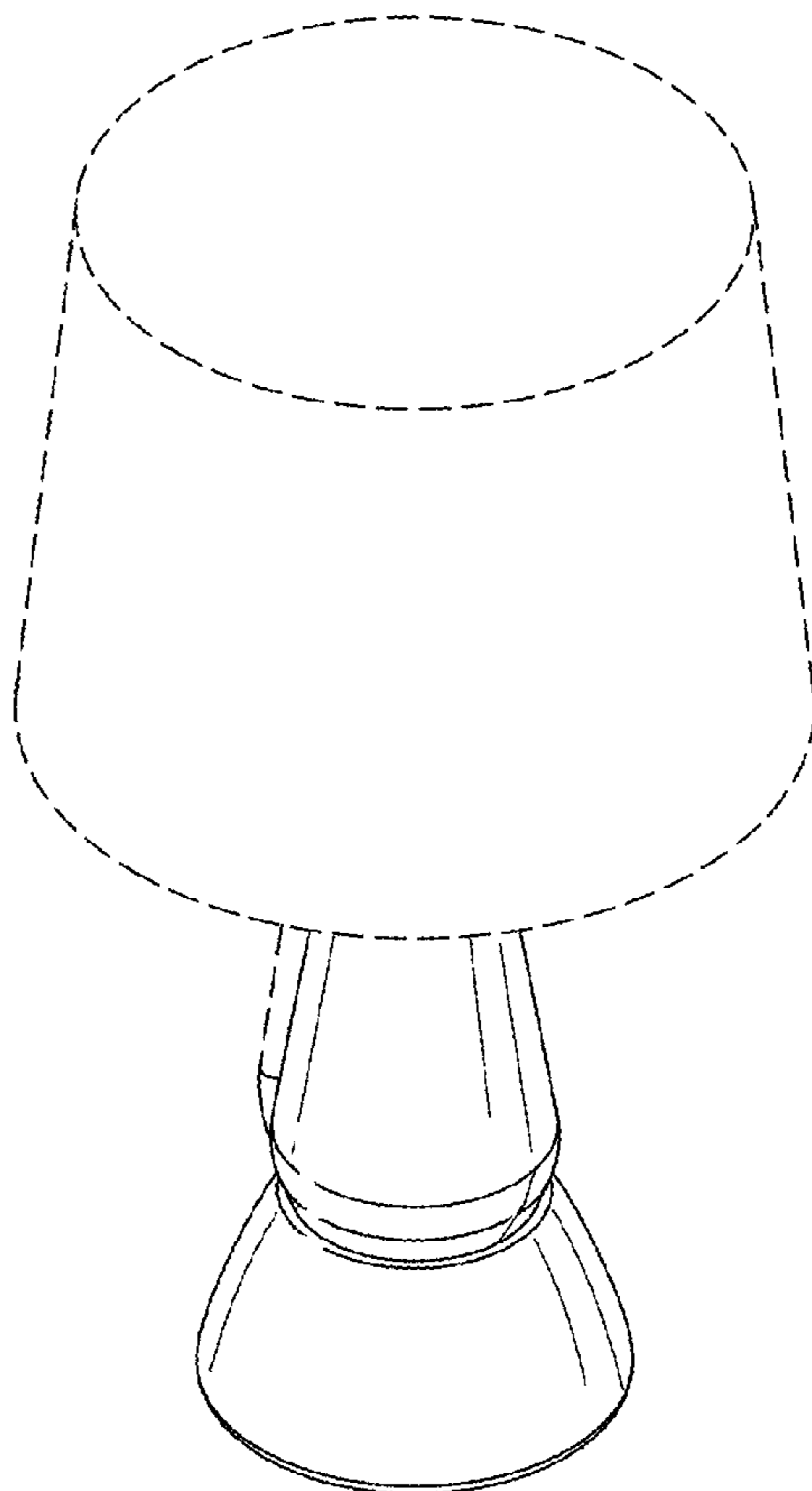


Fig. 1

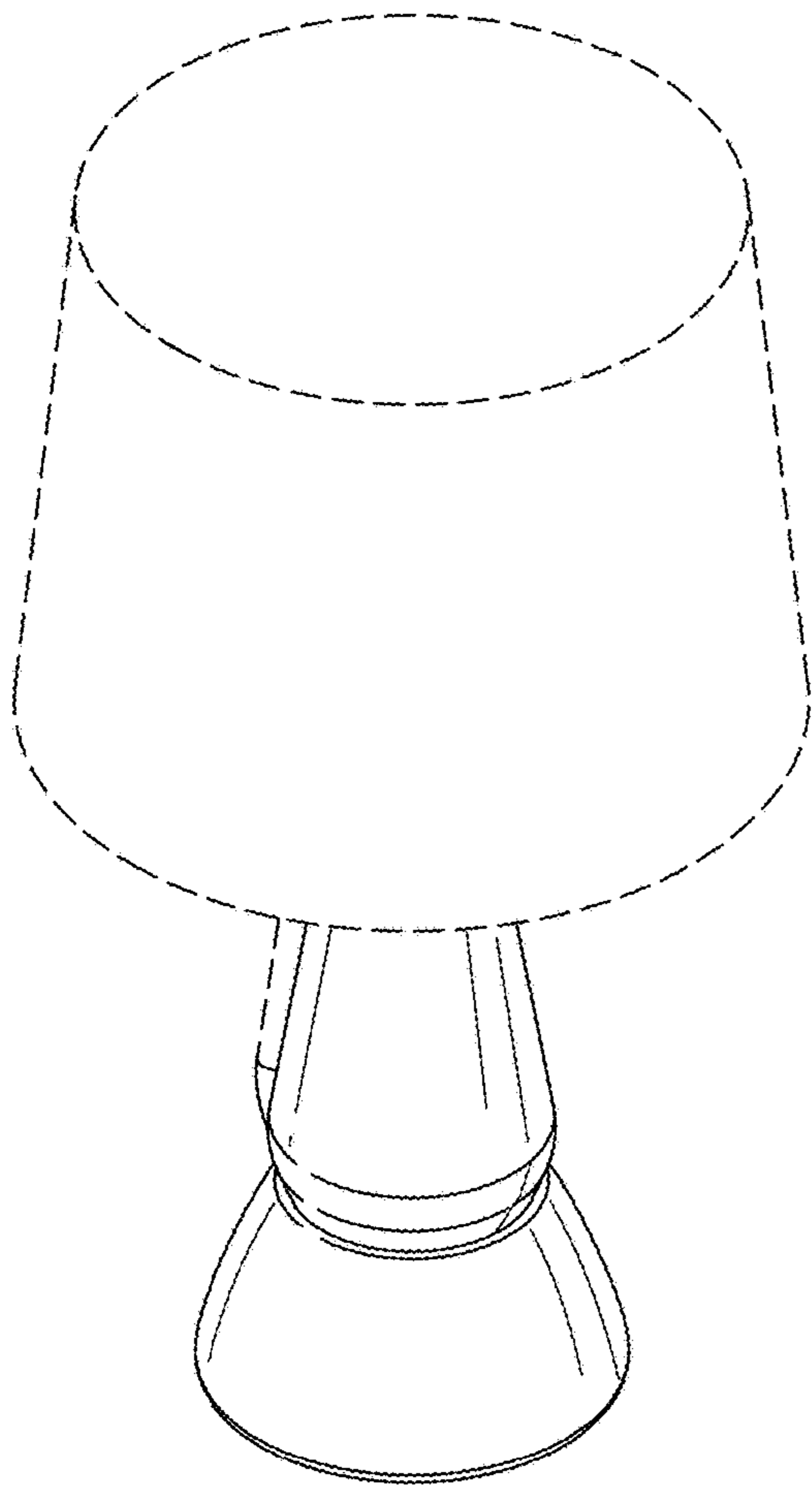


Fig. 2

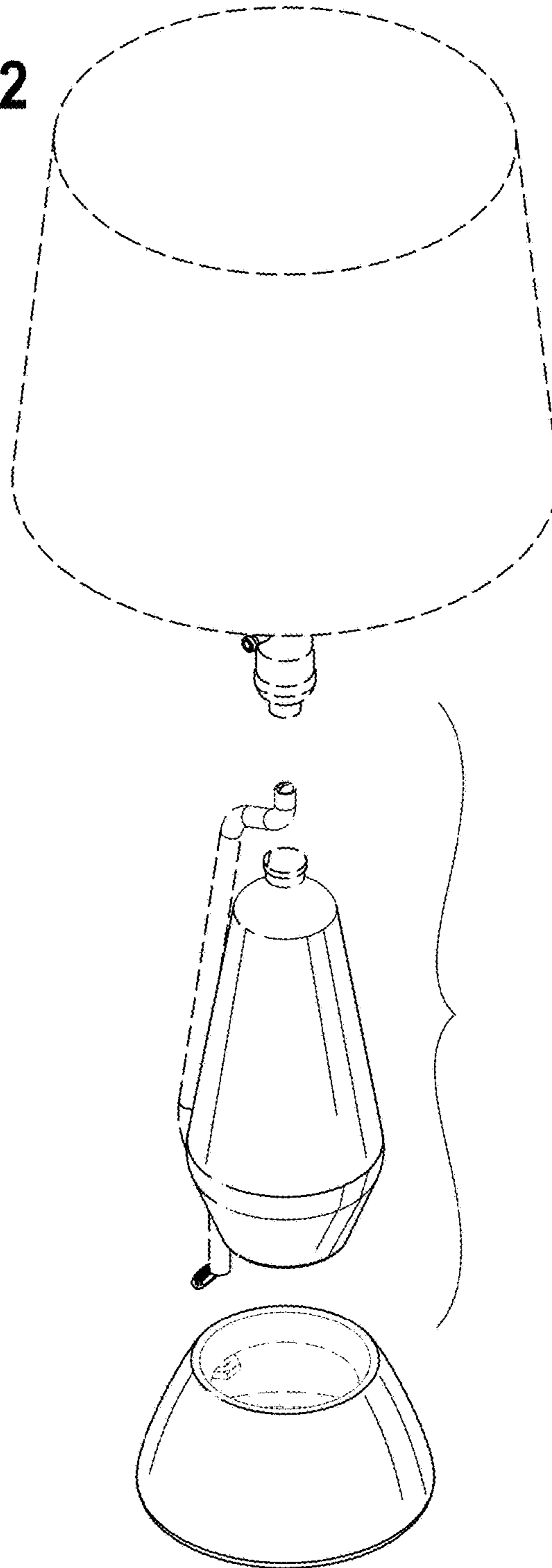


Fig. 3

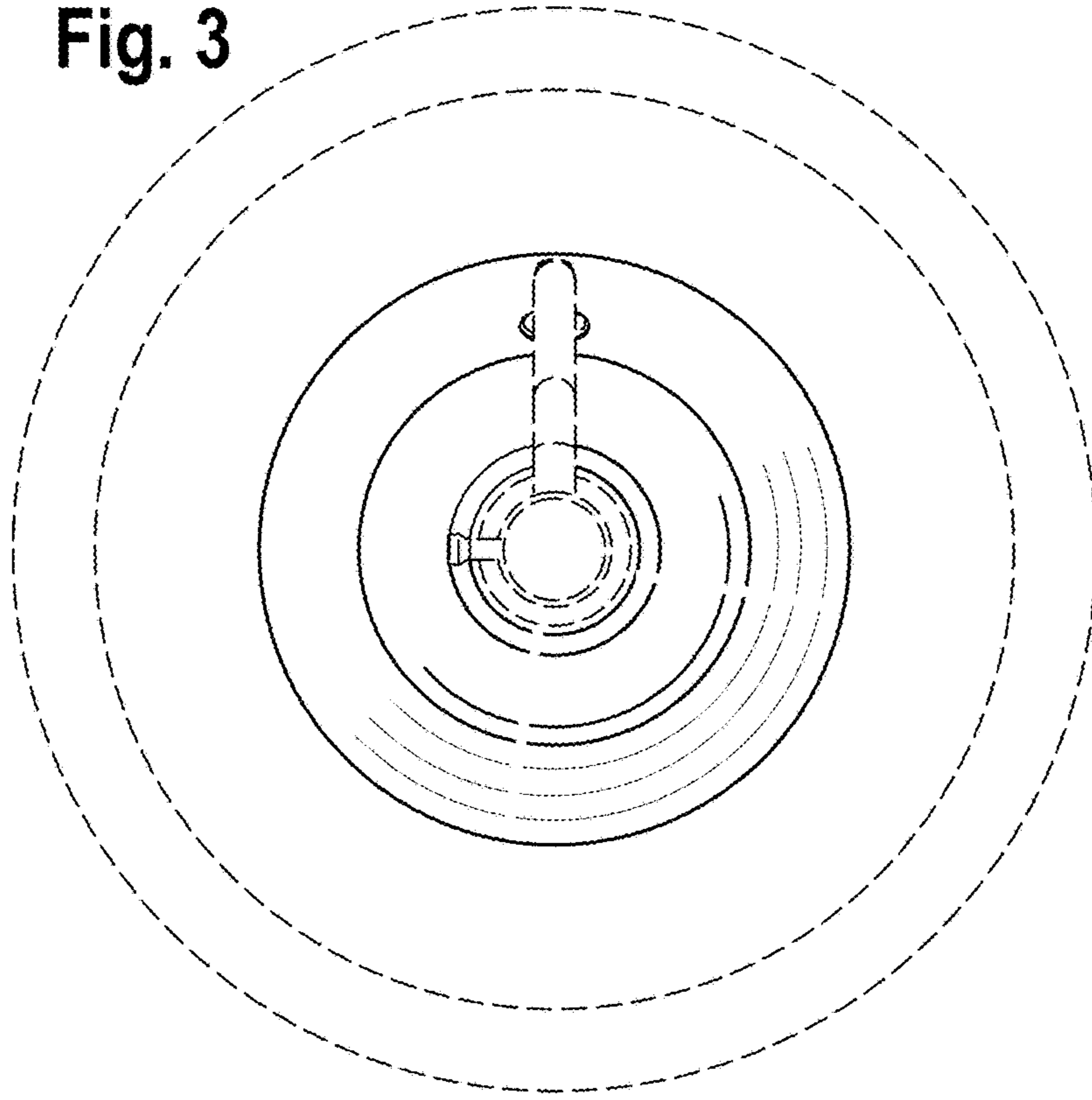


Fig. 4

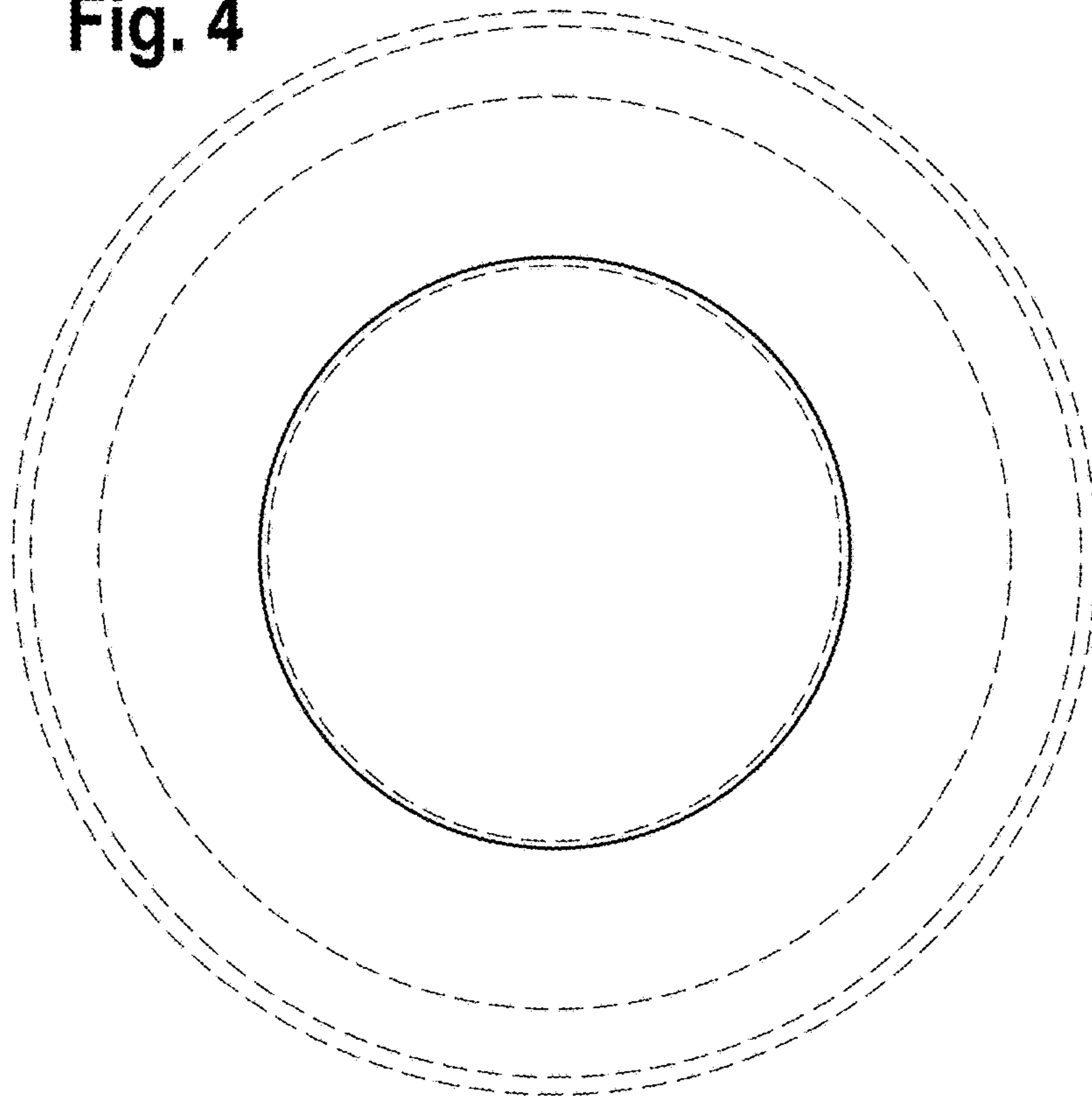


Fig. 5

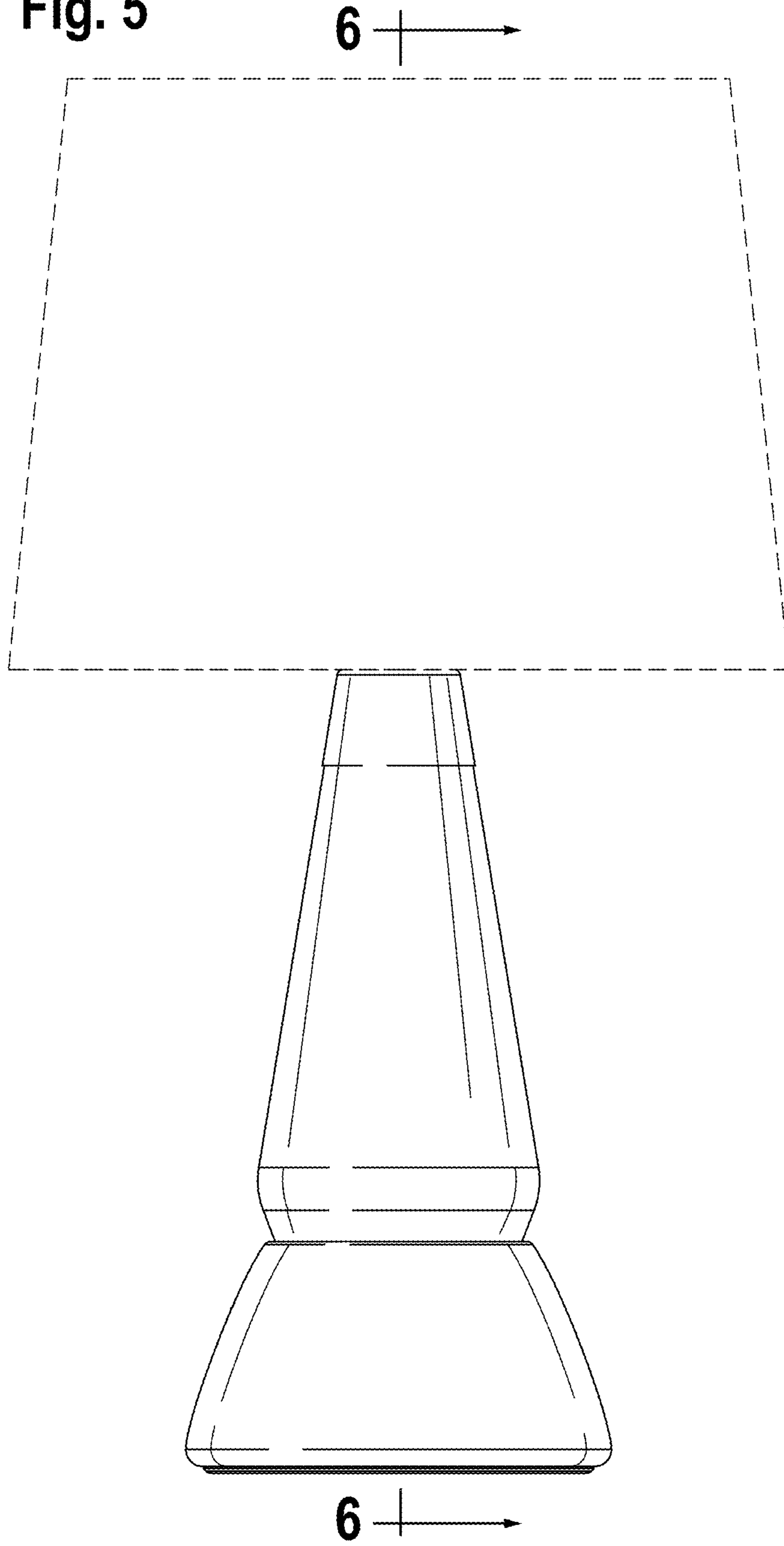


Fig. 6

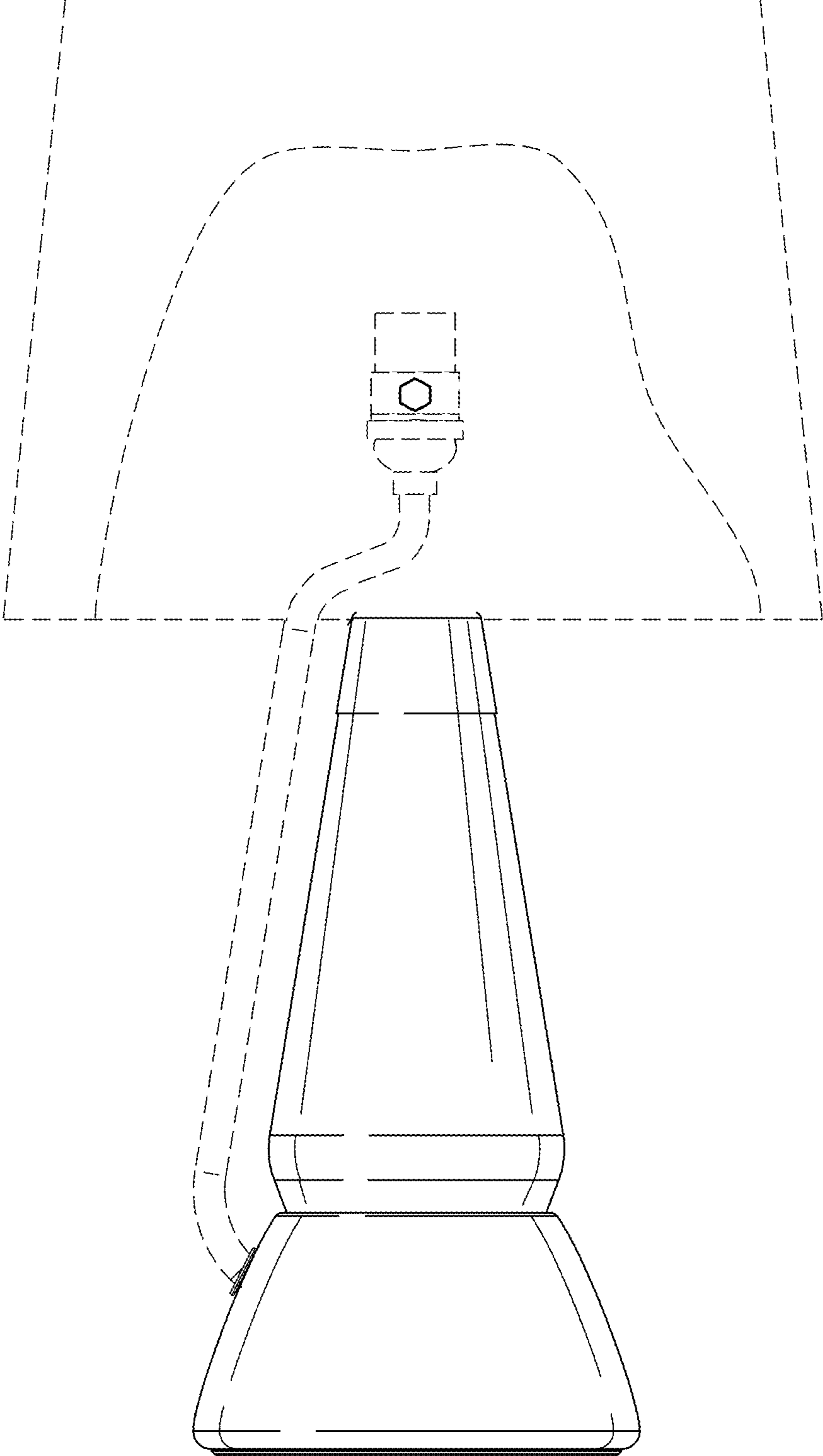


Fig. 7

