



US00D800370S

(12) **United States Design Patent**  
**Sonneman**

(10) **Patent No.:** **US D800,370 S**

(45) **Date of Patent:** **\*\* Oct. 17, 2017**

(54) **LIGHT FIXTURE**

(71) Applicant: **Robert A. Sonneman**, Mamaroneck,  
NY (US)

(72) Inventor: **Robert A. Sonneman**, Mamaroneck,  
NY (US)

(\*\*) Term: **15 Years**

(21) Appl. No.: **29/601,651**

(22) Filed: **Apr. 25, 2017**

(51) **LOC (10) Cl.** ..... **26-03**

(52) **U.S. Cl.**  
USPC ..... **D26/89**

(58) **Field of Classification Search**  
USPC ..... D26/67, 72, 83, 85, 86, 88, 89  
CPC .... F21S 8/06; F21S 8/061; F21S 8/063; F21S  
8/065; F21S 8/068; F21V 3/0418; F21V  
3/0427; F21V 3/0436; F21V 3/0445;  
F21V 21/008; F21V 21/104  
See application file for complete search history.

(56) **References Cited**

**U.S. PATENT DOCUMENTS**

- 1,799,711 A \* 4/1931 Varder ..... F21S 48/1352  
362/285
- 2,255,431 A \* 9/1941 Marden ..... C09K 11/025  
220/2.1 R
- D140,840 S \* 4/1945 Cressaty ..... D26/124
- D162,124 S \* 2/1951 Brooks ..... D26/89
- D169,972 S \* 7/1953 Glatthar et al. .... D26/89
- D549,866 S \* 8/2007 Pan ..... D26/59
- D571,034 S \* 6/2008 Goetz-Schaefer ..... D26/85
- D603,537 S \* 11/2009 Rowehl ..... D26/36

- D634,053 S \* 3/2011 Guercio ..... D26/89
- 8,167,468 B1 \* 5/2012 Olsson ..... F21S 8/03  
362/101
- D691,763 S \* 10/2013 Hand ..... D26/89
- D705,978 S \* 5/2014 Rhodes ..... D26/89

**OTHER PUBLICATIONS**

Oculus LED Surface Mount Light from sonnemanawayofflight.com.  
Available as early as Oct. 20, 2016. (4 pages).\*

\* cited by examiner

*Primary Examiner* — Clare E Heflin

(74) *Attorney, Agent, or Firm* — Gottlieb, Rackman &  
Reisman, P.C.

(57) **CLAIM**

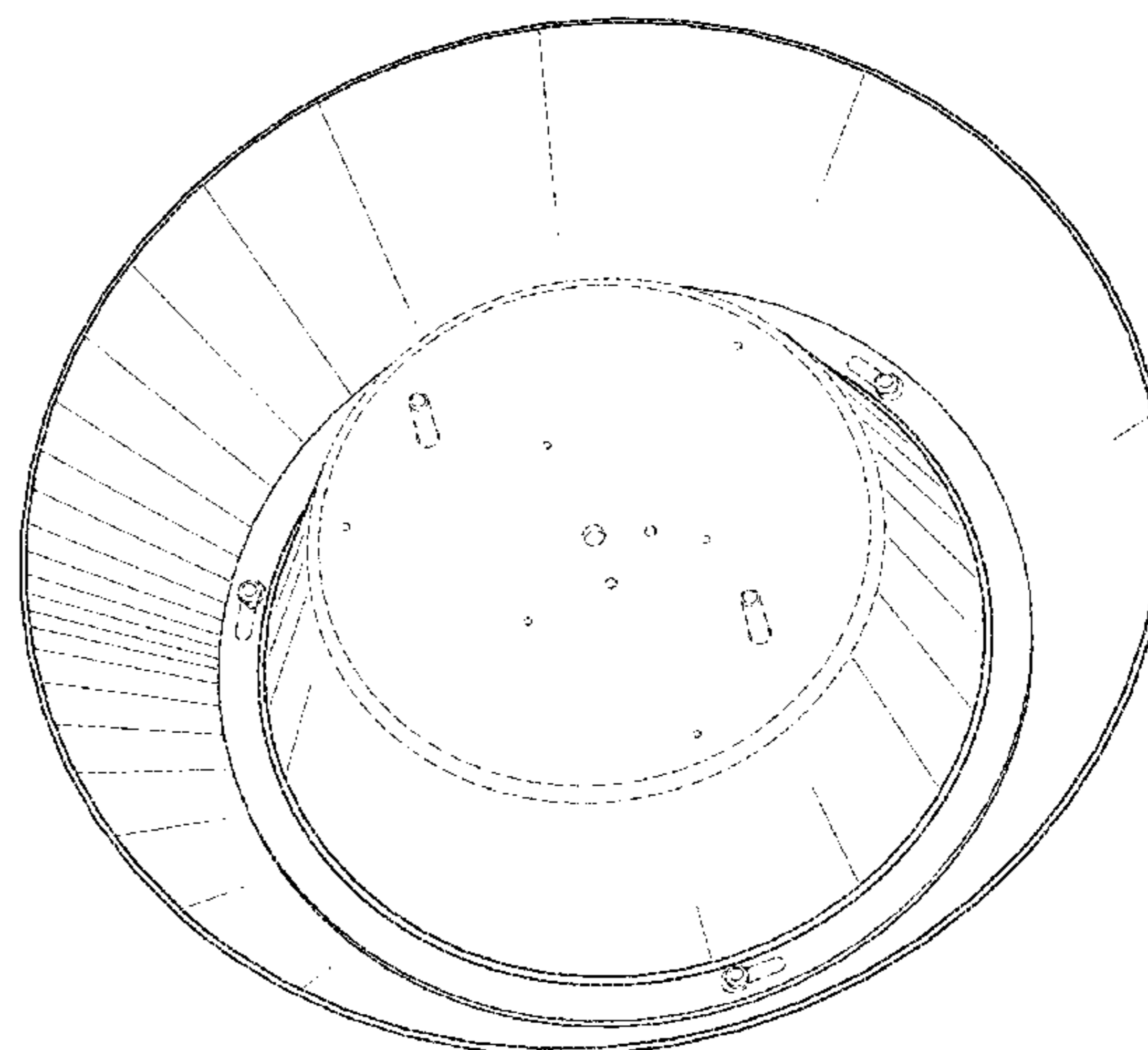
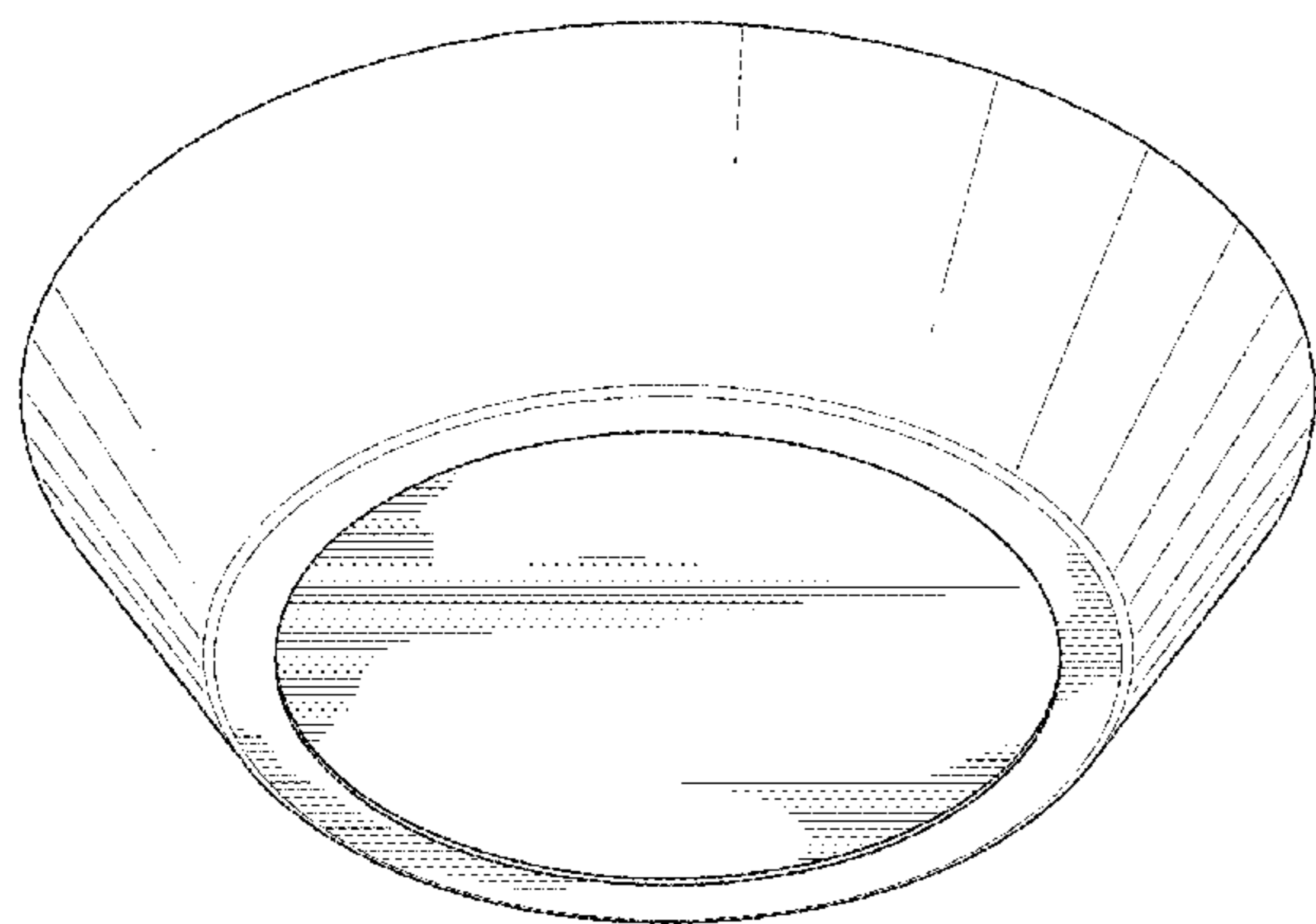
The ornamental design for a light fixture, as shown and  
described.

**DESCRIPTION**

FIG. 1 is a bottom front perspective view of the light fixture  
showing my new design;  
FIG. 2 is top front perspective view of the light fixture  
showing my new design;  
FIG. 3 a front elevational view thereof, the rear elevational  
view being a mirror image;  
FIG. 4 is a left side elevational view thereof, the right side  
elevational view being a mirror image;  
FIG. 5 is a bottom plan view thereof; and,  
FIG. 6 is a top plan view thereof.

The broken lines shown in the drawings are included for the  
purpose of illustrating portions of the article that form no  
part of the claimed design.

**1 Claim, 6 Drawing Sheets**



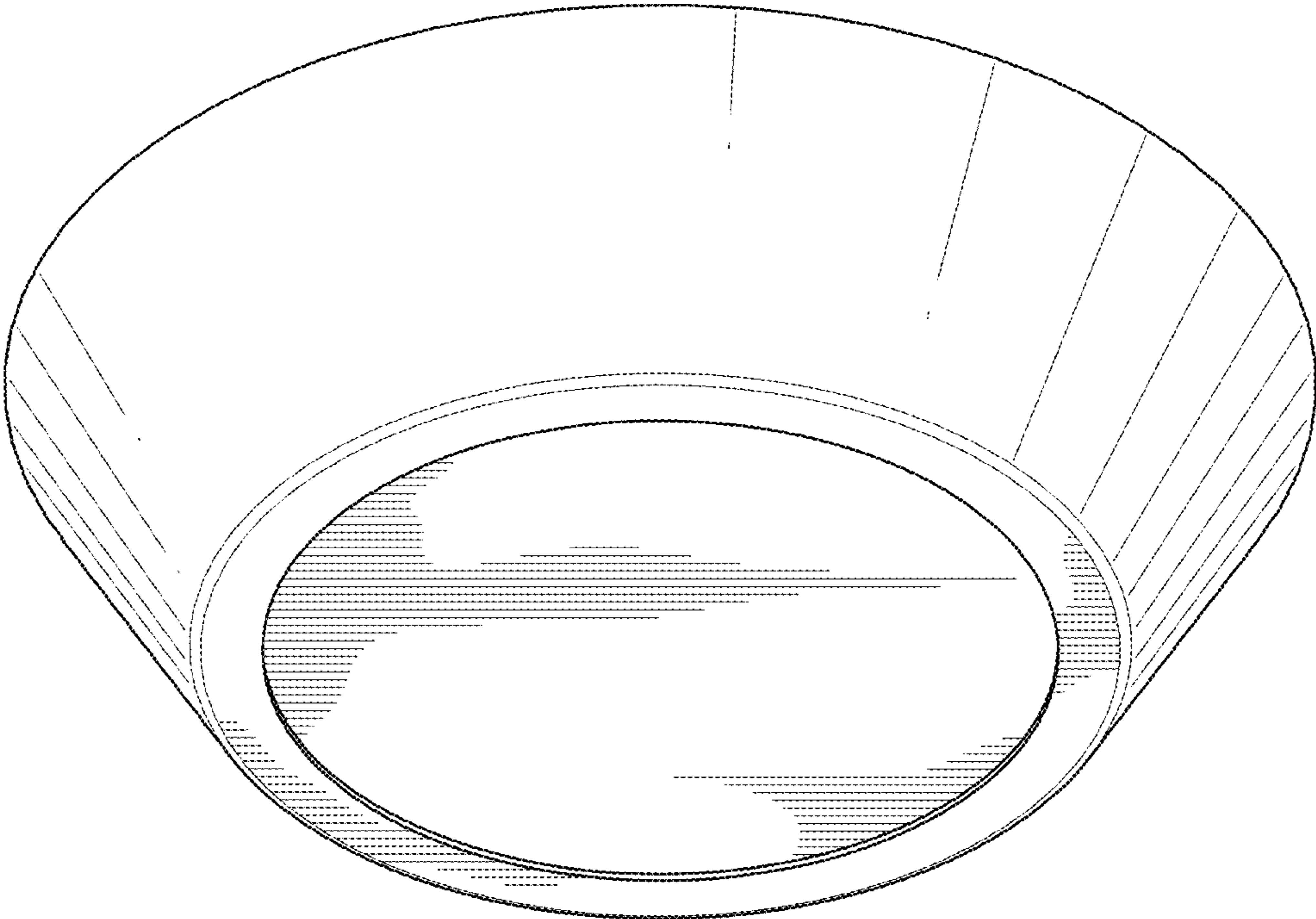


FIG. 1

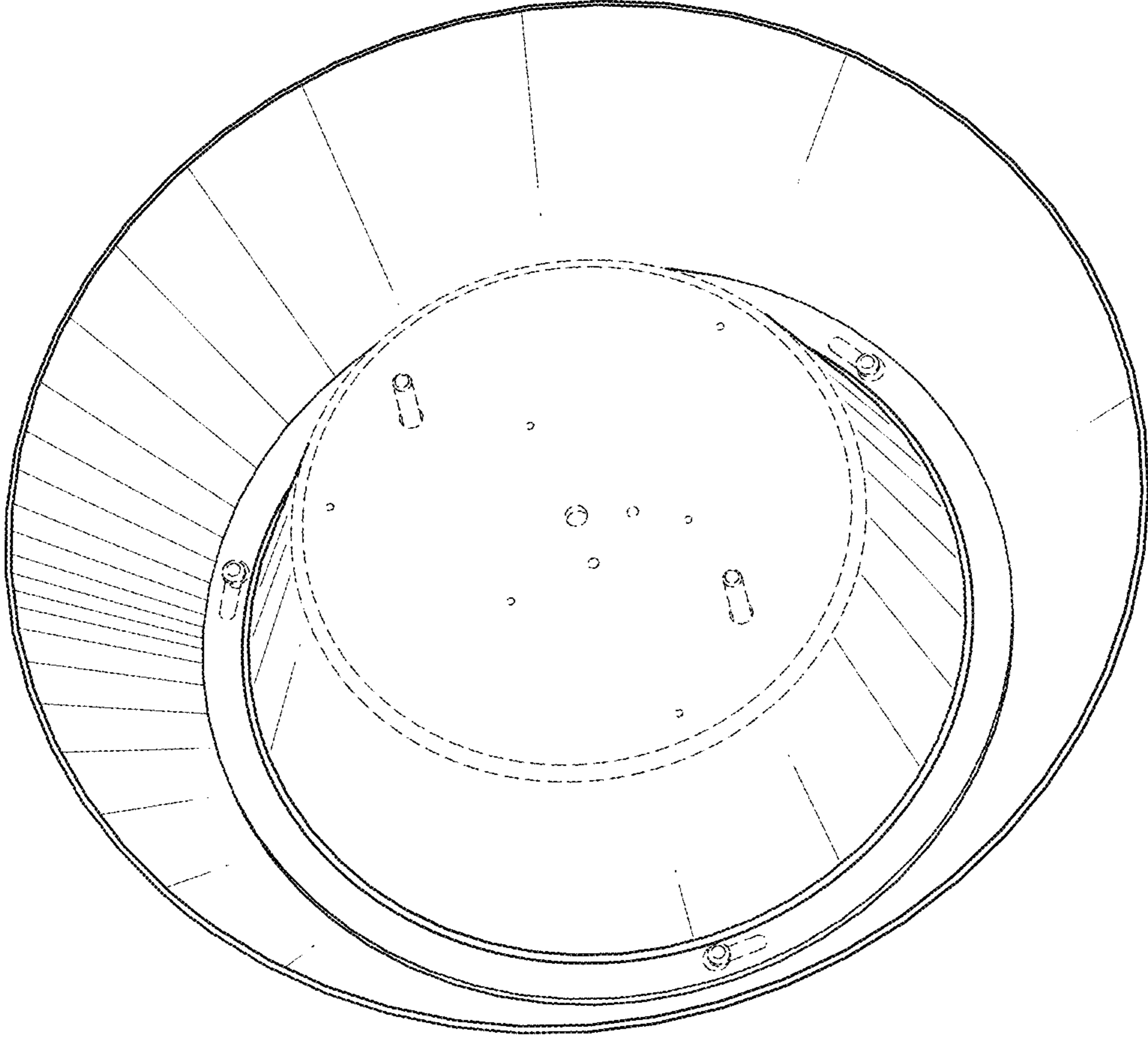


FIG.2

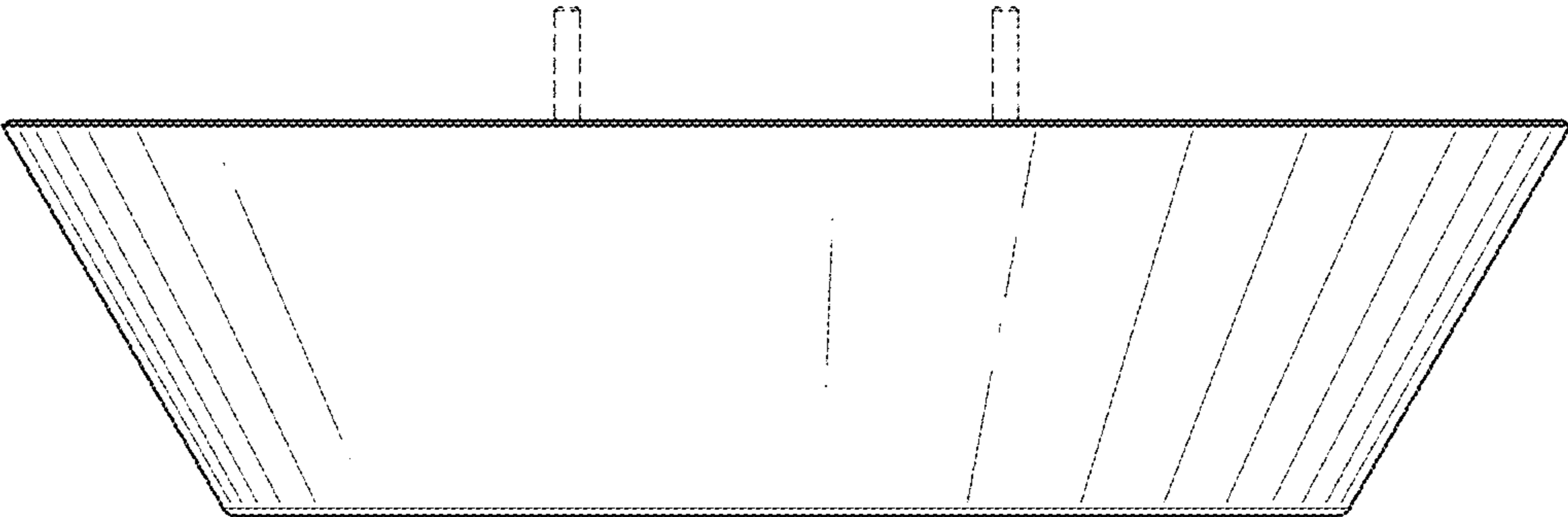


FIG. 3

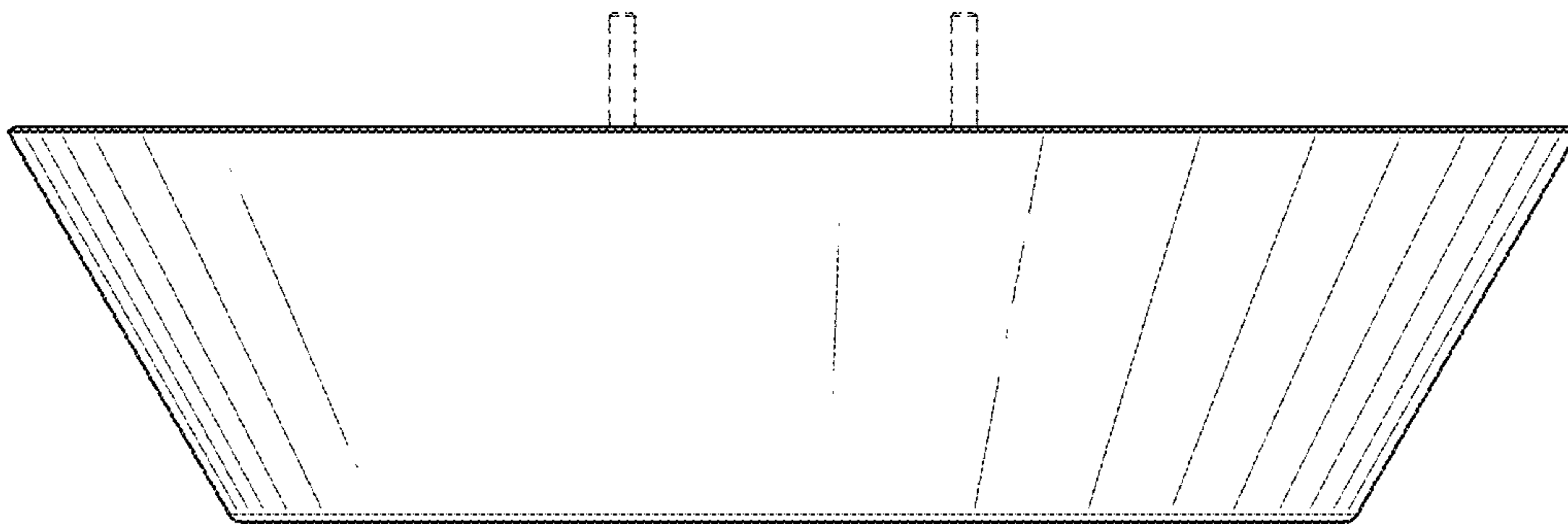


FIG.4



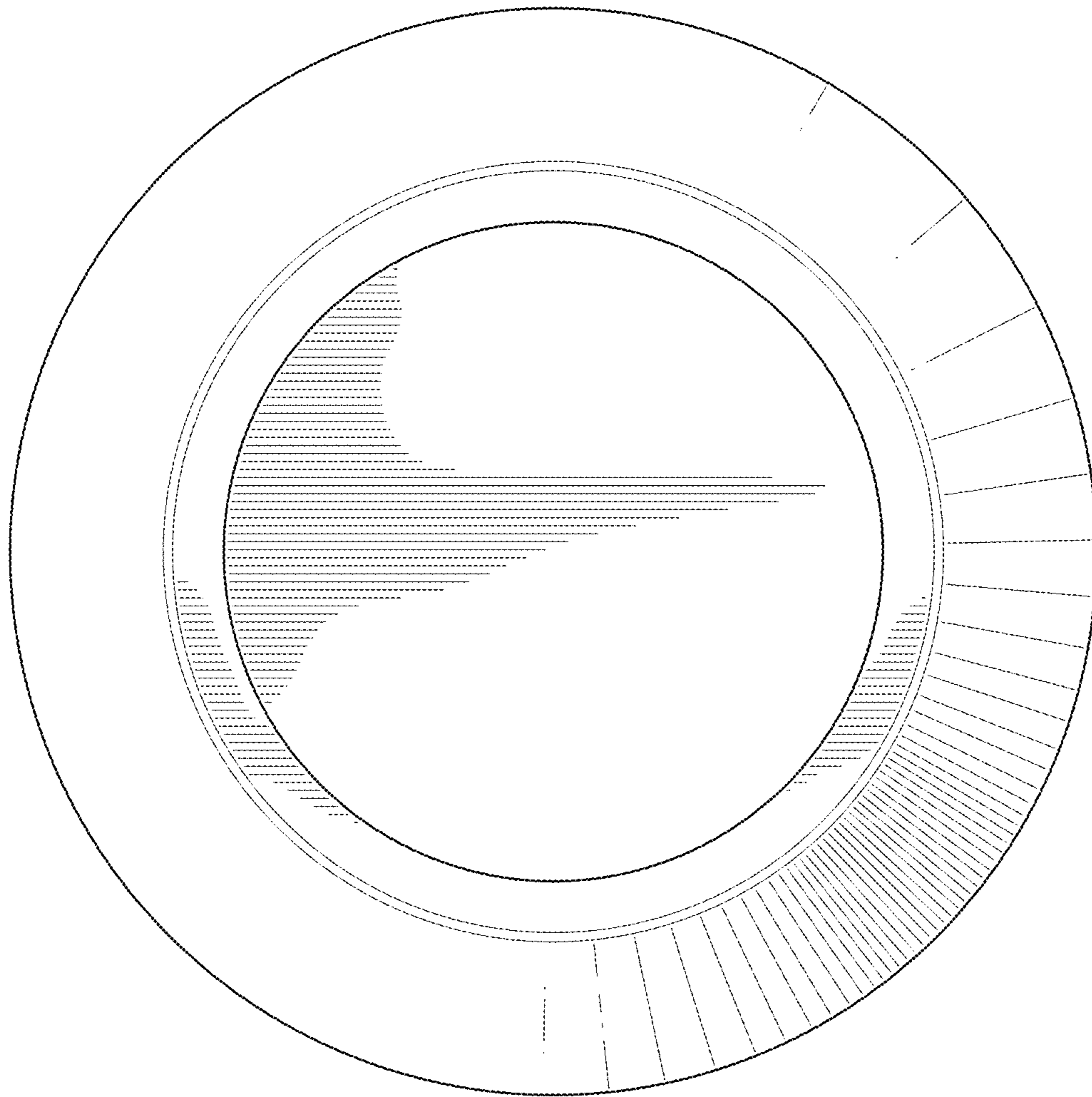


FIG. 5

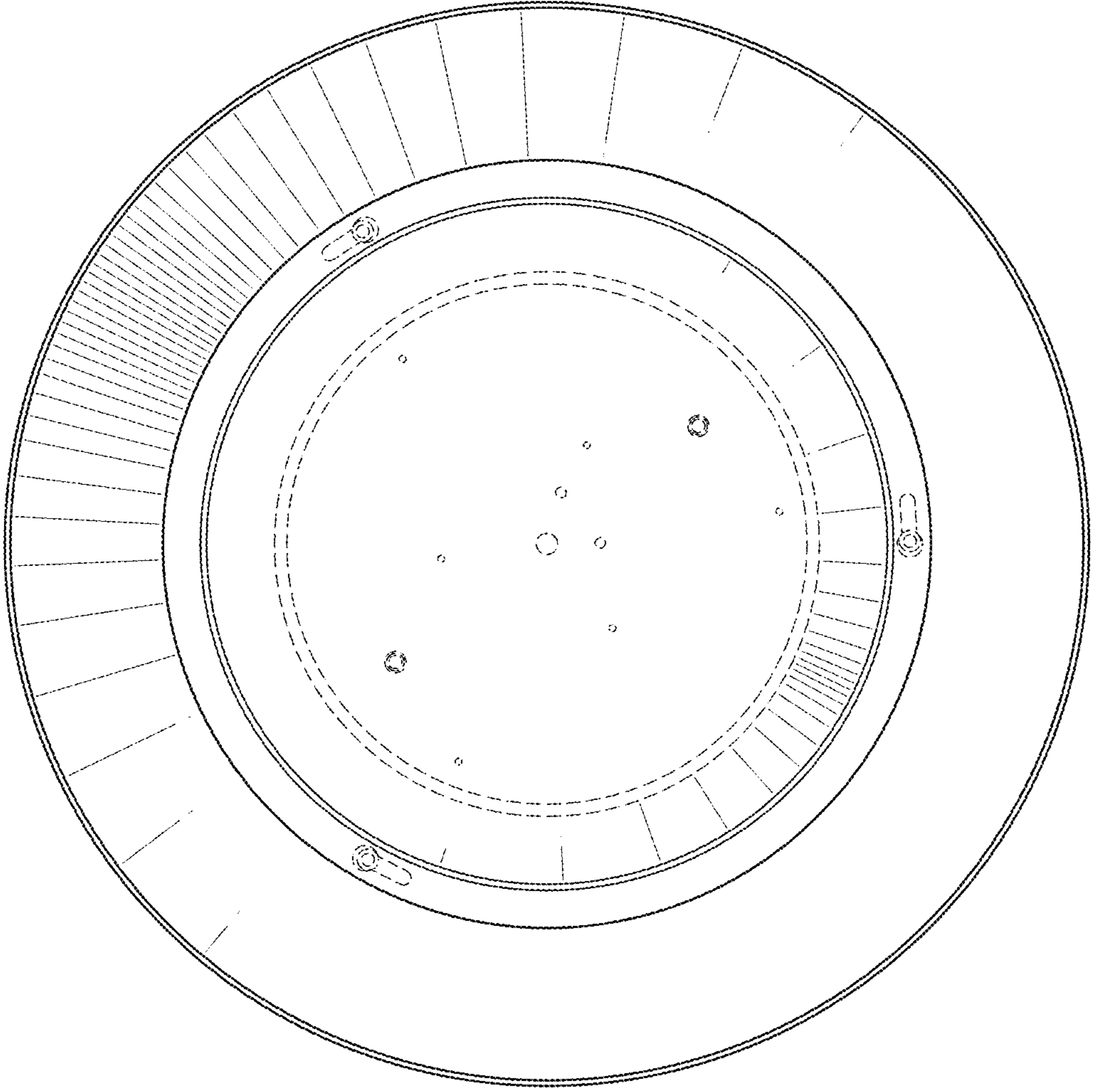


FIG. 6