



US00D800368S

(12) **United States Design Patent** (10) **Patent No.:** **US D800,368 S**
Czech et al. (45) **Date of Patent:** **** *Oct. 17, 2017**

(54) **LIGHT FIXTURE**

(71) Applicant: **Focal Point, LLC**, Chicago, IL (US)

(72) Inventors: **Ken Czech**, Naperville, IL (US);
Michael David SanFacon, Naperville,
IL (US); **Krutin S. Desai**, Chicago, IL
(US)

(73) Assignee: **Focal Point, LLC**, Chicago, IL (US)

(*) Notice: This patent is subject to a terminal dis-
claimer.

(**) Term: **15 Years**

(21) Appl. No.: **29/540,874**

(22) Filed: **Sep. 29, 2015**

(51) **LOC (10) Cl.** **26-03**

(52) **U.S. Cl.**
USPC **D26/76**

(58) **Field of Classification Search**
USPC D26/71, 72, 75, 76, 78, 79, 80, 81, 82,
D26/83, 85, 86, 88, 90, 113, 118, 119,
D26/120, 121, 122, 138
CPC F21S 2/00; F21S 4/00; F21S 4/003; F21S
4/005; F21S 4/006; F21S 4/007; F21S
4/008; F21S 6/00; F21S 8/00; F21S
8/024; F21S 8/026; F21S 8/031; F21S
8/033; F21S 8/035-8/037; F21S 8/04;
F21S 8/043; F21S 8/063

See application file for complete search history.

(56) **References Cited**

U.S. PATENT DOCUMENTS

| | | | | |
|--------------|--------|---------------|-------|---------|
| D437,446 S * | 2/2001 | Reo | | D26/91 |
| D452,995 S * | 1/2002 | Barry | | D6/300 |
| D491,687 S * | 6/2004 | Thornton, Jr. | | D26/76 |
| D493,244 S * | 7/2004 | Engel | | D26/76 |
| D592,347 S * | 5/2009 | Trott | | D26/118 |
| D592,348 S * | 5/2009 | Trott | | D26/118 |

| | | | | |
|--------------|---------|--------------|-------|---------|
| D597,241 S * | 7/2009 | Fabbri | | D26/74 |
| D613,074 S * | 4/2010 | Dathe | | D6/300 |
| D632,008 S * | 2/2011 | Kim | | D26/120 |
| D645,193 S * | 9/2011 | Chung | | D26/75 |
| D650,509 S * | 12/2011 | Wegger | | D26/90 |
| D654,703 S * | 2/2012 | LeMay | | D6/300 |
| D660,498 S * | 5/2012 | Chung | | D26/75 |
| D664,700 S * | 7/2012 | Ferguson | | D26/76 |
| D679,437 S * | 4/2013 | Watt | | D26/74 |
| D731,189 S * | 6/2015 | Kim | | D6/300 |
| D737,500 S * | 8/2015 | Santoro | | D26/120 |
| D738,032 S * | 9/2015 | Maxik | | D26/118 |
| D747,109 S * | 1/2016 | Shay-Puetzer | | D6/300 |
| D749,257 S * | 2/2016 | Arndt | | D26/76 |
| D773,098 S * | 11/2016 | Czech | | D26/76 |
| D780,364 S * | 2/2017 | Czech | | D26/78 |

(Continued)

OTHER PUBLICATIONS

Finelite, Inc., "E1-Indirect Configuration," Elements of Design E1
LED Indirect Brochure, Dec. 21, 2015, p. 2, published 2014.

(Continued)

Primary Examiner — George D Kirschbaum

Assistant Examiner — Natasha Vujcic

(74) *Attorney, Agent, or Firm* — Banner & Witcoff, Ltd.

(57) **CLAIM**

The ornamental design for a light fixture, as shown and
described.

DESCRIPTION

FIG. 1 is a first perspective view of a light fixture showing
our new design;

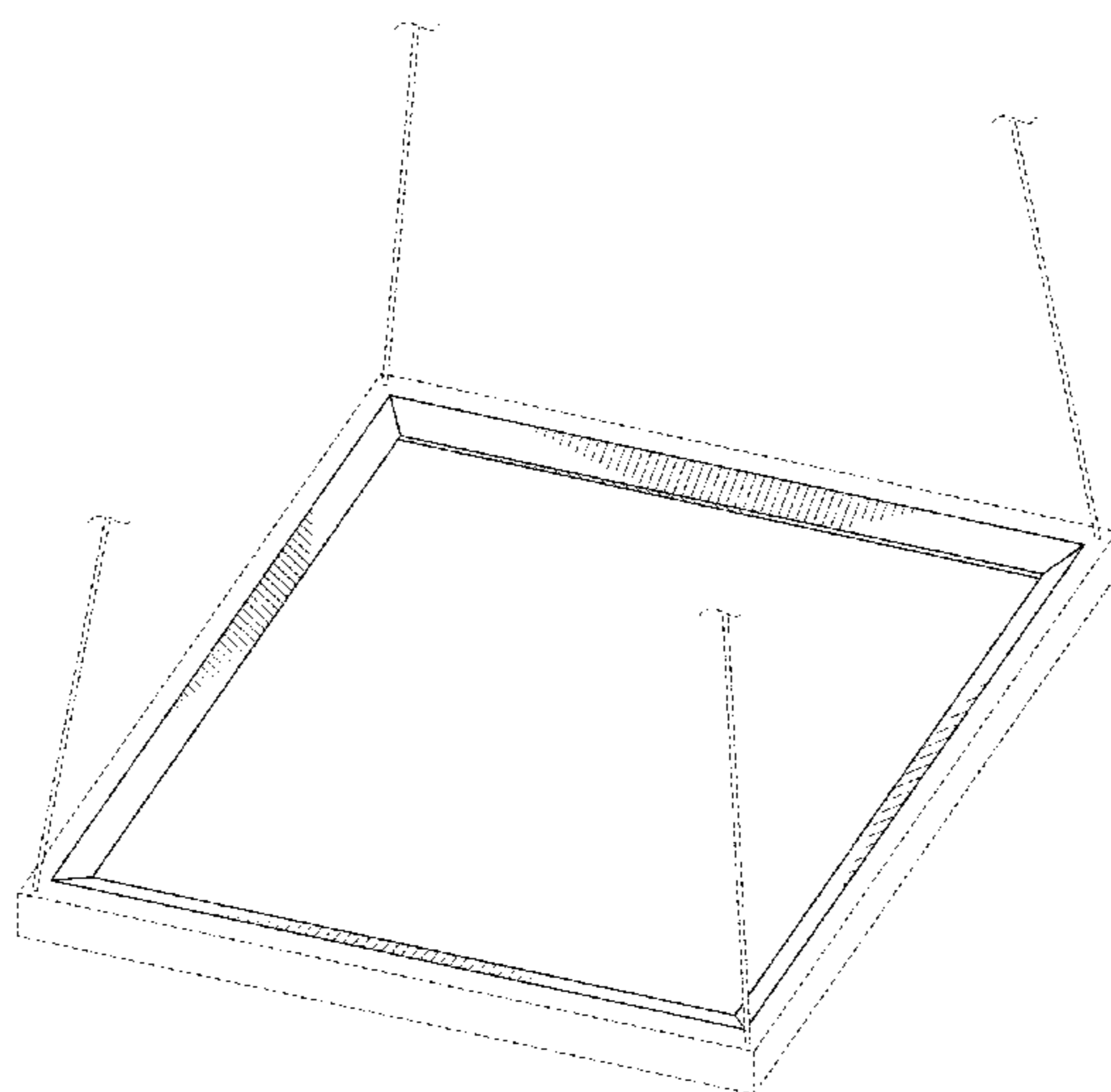
FIG. 2 is a second perspective view thereof;

FIG. 3 is a top view thereof; and,

FIG. 4 is a bottom view thereof.

The broken lines in the drawings illustrate portions of the
environment of the light fixture which form no part of the
claimed design.

1 Claim, 4 Drawing Sheets



(56)

References Cited

U.S. PATENT DOCUMENTS

2010/0149791 A1* 6/2010 McCane F21S 8/04
362/147
2010/0165627 A1* 7/2010 Wung F21S 2/005
362/249.02

OTHER PUBLICATIONS

Prudential Lighting Corporation, "Zenith In," Zenith Series Brochure, Dec. 21, 2015, p. 3, published 2015.

* cited by examiner

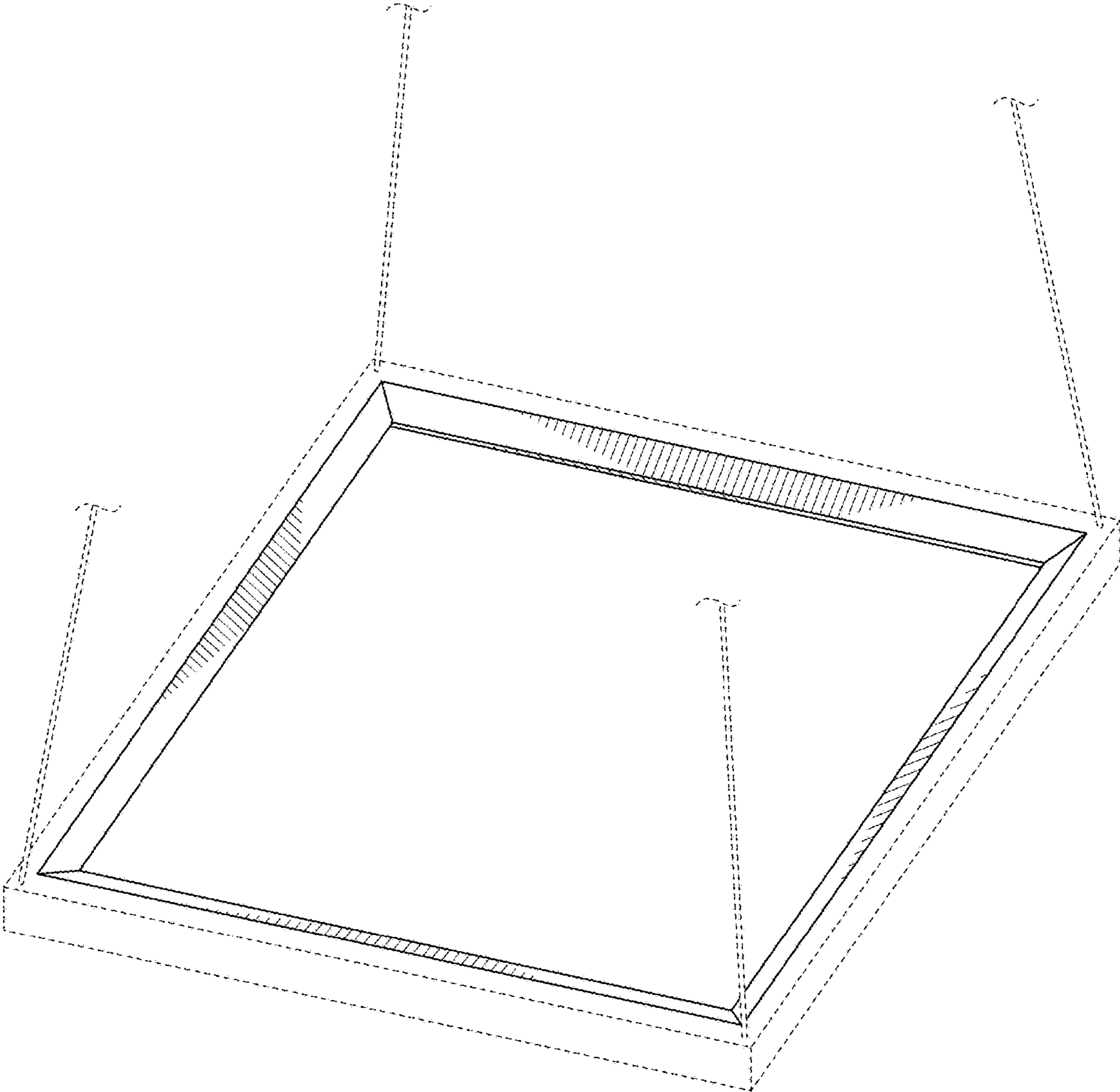


FIG. 1

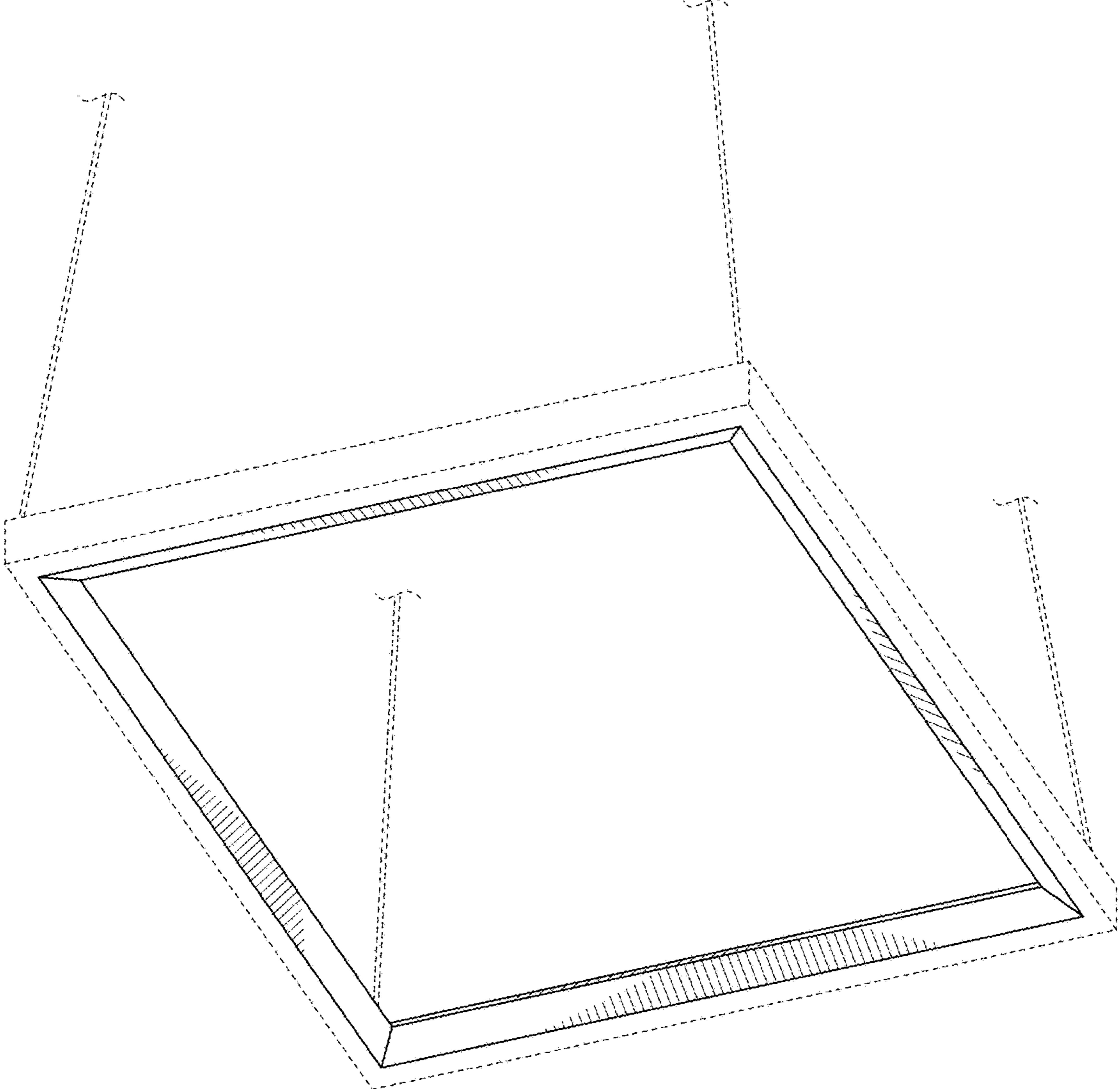


FIG. 2

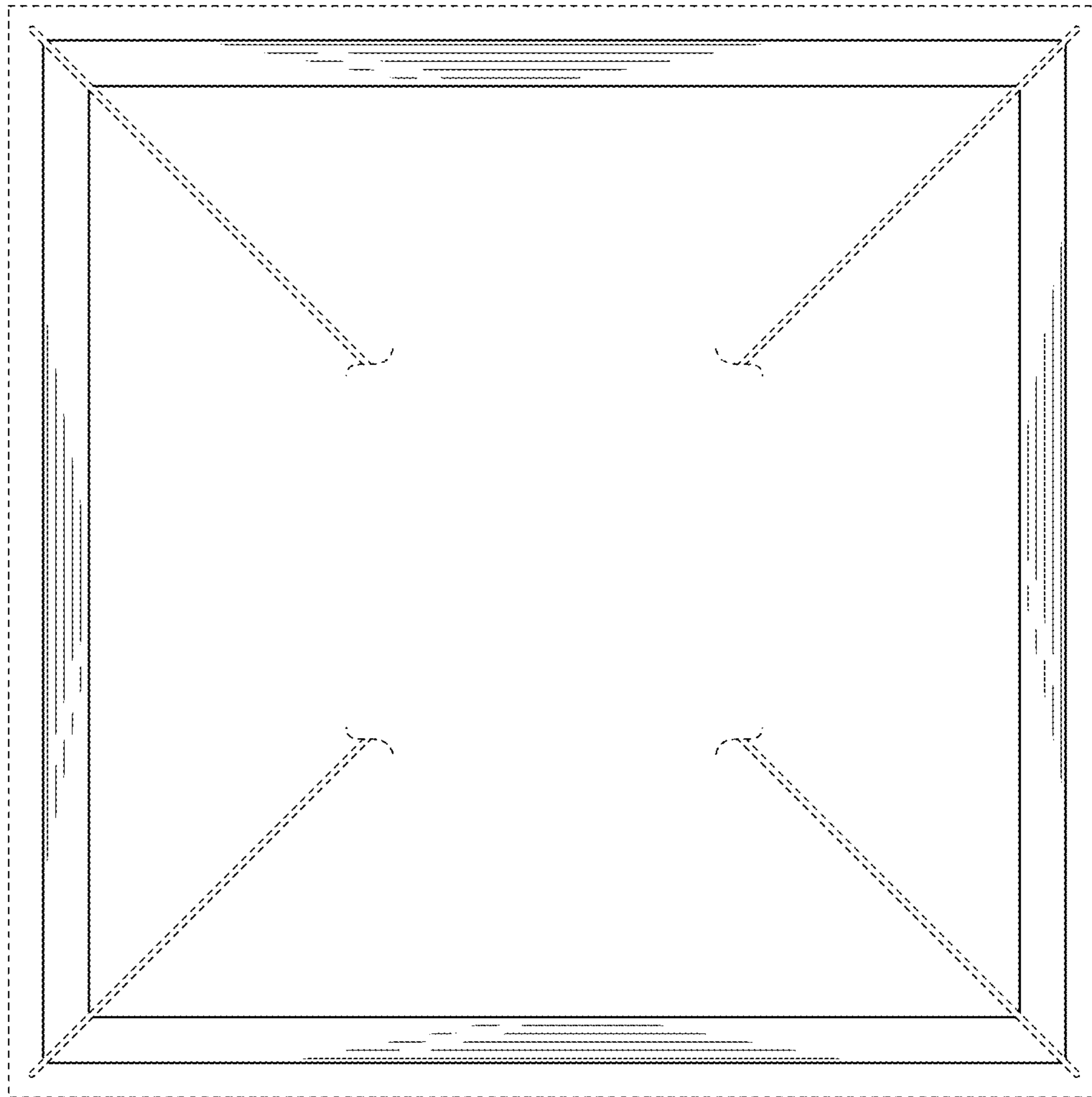


FIG. 3

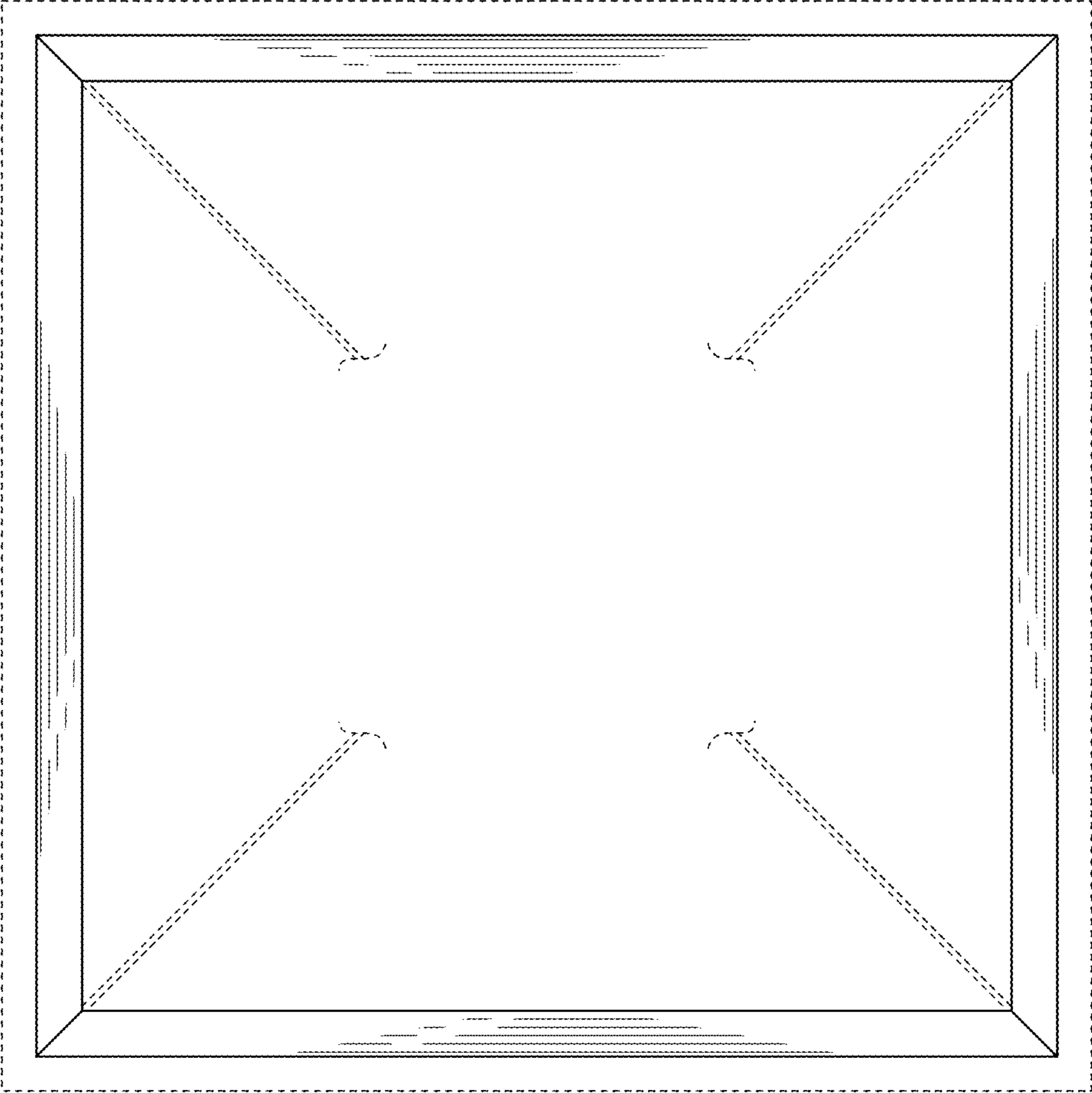


FIG. 4