



US00D800367S

(12) **United States Design Patent** (10) **Patent No.:** **US D800,367 S**
Ladnier et al. (45) **Date of Patent:** **** Oct. 17, 2017**

(54) **LIGHTING FIXTURE**
(71) Applicant: **Delta T Corporation**, Lexington, KY (US)
(72) Inventors: **David Ladnier**, Versailles, KY (US); **Mitch Whitley**, Lexington, KY (US); **Kristen K. Hedstrom**, Lexington, KY (US); **Terry M. Birchler**, Blacklick, OH (US); **Shawn Whetstone**, New Albany, OH (US)
(73) Assignee: **DELTA CORPORATION**, Lexington, KY (US)

(**) Term: **15 Years**

(21) Appl. No.: **29/539,955**

(22) Filed: **Sep. 18, 2015**

(51) **LOC (10) Cl.** **26-03**

(52) **U.S. Cl.**
USPC **D26/76**

(58) **Field of Classification Search**
USPC D26/76, 78, 79, 80, 81, 82, 83, 85, 86, D26/88, 90, 113, 118, 119, 120, 121, 122, D26/138, 139, 140, 141, 142
CPC F21S 2/00; F21S 4/00; F21S 4/003; F21S 4/005; F21S 4/006; F21S 4/007; F21S 4/008; F21S 6/00; F21S 8/00; F21S 8/024; F21S 8/026; F21S 8/031; F21S 8/033; F21S 8/035-8/037; F21S 8/04; F21S 8/043; F21S 8/063
See application file for complete search history.

(56) **References Cited**
U.S. PATENT DOCUMENTS

D149,427 S 4/1948 Lindahl
D149,655 S 5/1948 Lindahl
D151,575 S 10/1948 Winkler et al.

D151,576 S 10/1948 Winkler et al.
D151,577 S 10/1948 Winkler et al.
2,606,998 A * 8/1952 Wyman F21V 15/015
362/220
D180,533 S 6/1957 Stevens et al.
D186,952 S * 12/1959 Akely et al. D26/76
D188,436 S 7/1960 Budke et al.
D198,183 S * 5/1964 Akely D26/76
D208,572 S 9/1967 Wakefield et al.
D449,400 S 10/2001 Tillman et al.
D461,923 S * 8/2002 Chelf D26/76
D466,244 S * 11/2002 Lewis D26/76
D491,687 S 6/2004 Thornton, Jr. et al.
D495,085 S 8/2004 Thornton, Jr. et al.
D497,025 S 10/2004 Waldmann
D503,821 S 4/2005 Waldmann
7,095,187 B2 8/2006 Young
7,119,500 B2 10/2006 Young
7,119,501 B2 10/2006 Young
7,132,805 B2 11/2006 Young
7,159,997 B2 1/2007 Reo et al.
D580,087 S * 11/2008 Couture D26/76

(Continued)

Primary Examiner — George D Kirschbaum
Assistant Examiner — Natasha Vujcic
(74) *Attorney, Agent, or Firm* — King & Schickli, PLLC

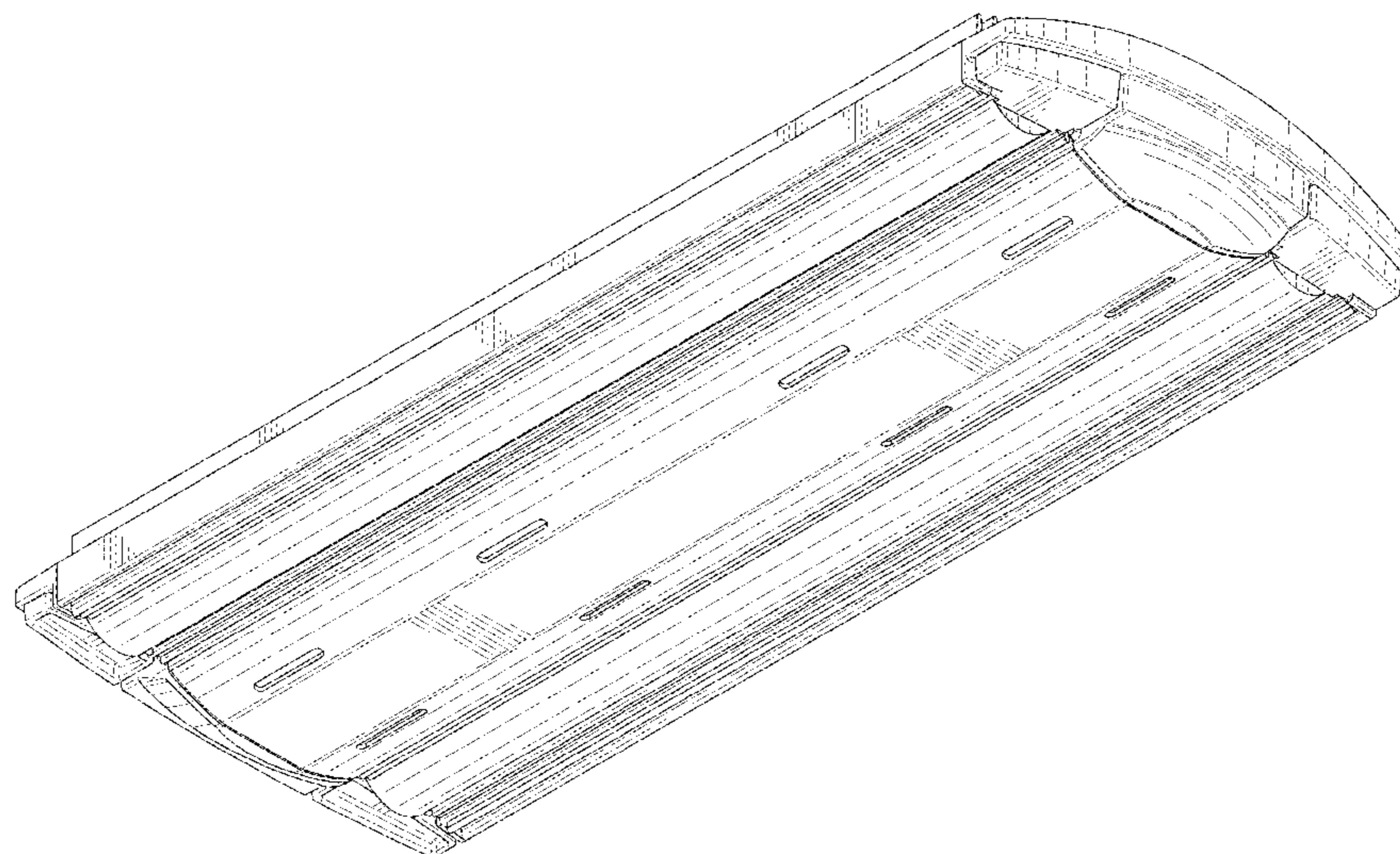
(57) **CLAIM**

The ornamental design for a lighting fixture, as shown and described.

DESCRIPTION

FIG. 1 is a bottom perspective view of a lighting fixture; FIG. 2 is a top perspective view of the lighting fixture; FIG. 3 is a front view the lighting fixture; FIG. 4 is a right side view of the lighting fixture; FIG. 5 is a left side view of the lighting fixture; FIG. 6 is a bottom view of the lighting fixture; and, FIG. 7 is a top view of the lighting fixture. The broken line depictions form no part of the claimed design.

1 Claim, 5 Drawing Sheets



(56)

References Cited

U.S. PATENT DOCUMENTS

D596,778 S	7/2009	Yamazato	8,474,996 B2	7/2013	Zhang et al.
D597,701 S	8/2009	Tran et al.	8,573,799 B2	11/2013	Lee et al.
7,626,345 B2	12/2009	Young	D703,858 S *	4/2014	Miller D26/76
D610,294 S	2/2010	Theusch	D704,372 S *	5/2014	Speier D26/76
7,810,963 B2	10/2010	Peck	D705,975 S	5/2014	Hedstrom et al.
7,824,055 B2	11/2010	Sherman	D705,976 S	5/2014	Hedstrom et al.
7,845,824 B2	12/2010	Robotham	D706,480 S	6/2014	Hedstrom et al.
7,857,482 B2	12/2010	Reo et al.	D743,610 S *	11/2015	Inzinger D26/77
7,862,202 B2	1/2011	Laso et al.	D765,299 S *	8/2016	Ladnier D26/76
D636,108 S *	4/2011	Nguyen D26/76	2006/0146531 A1	7/2006	Reo et al.
D645,194 S	9/2011	Budike, Jr. et al.	2009/0310354 A1	12/2009	Zampini, II et al.
8,063,576 B2	11/2011	Routledge	2010/0315813 A1	12/2010	Fugerer et al.
8,066,404 B2	11/2011	Song et al.	2011/0141729 A1	6/2011	Yang et al.
8,087,807 B2	1/2012	Liu et al.	2011/0211330 A1	9/2011	Wang
8,109,647 B2	2/2012	Soo et al.	2011/0228528 A1	9/2011	Yang et al.
8,157,420 B2	4/2012	Song et al.	2012/0014108 A1	1/2012	Greenfield et al.
D662,643 S	6/2012	Takahashi et al.	2012/0051050 A1	3/2012	Lee et al.
8,197,086 B2	6/2012	Watanabe et al.	2012/0087118 A1	4/2012	Bailey et al.
D663,882 S	7/2012	Muraishi et al.	2012/0162982 A1	6/2012	Wang et al.
8,267,544 B2	9/2012	Zheng et al.	2012/0250309 A1	10/2012	Handsaker
8,360,613 B2	1/2013	Little, Jr.	2012/0293994 A1	11/2012	McMurray
8,425,085 B2	4/2013	Van Laanen et al.	2013/0083522 A1	4/2013	Bowers et al.
8,434,914 B2	5/2013	Li et al.	2013/0094225 A1	4/2013	Leichner
			2013/0163245 A1	6/2013	Yang et al.
			2016/0033088 A1 *	2/2016	Mayfield, III F21K 9/17 362/225

* cited by examiner

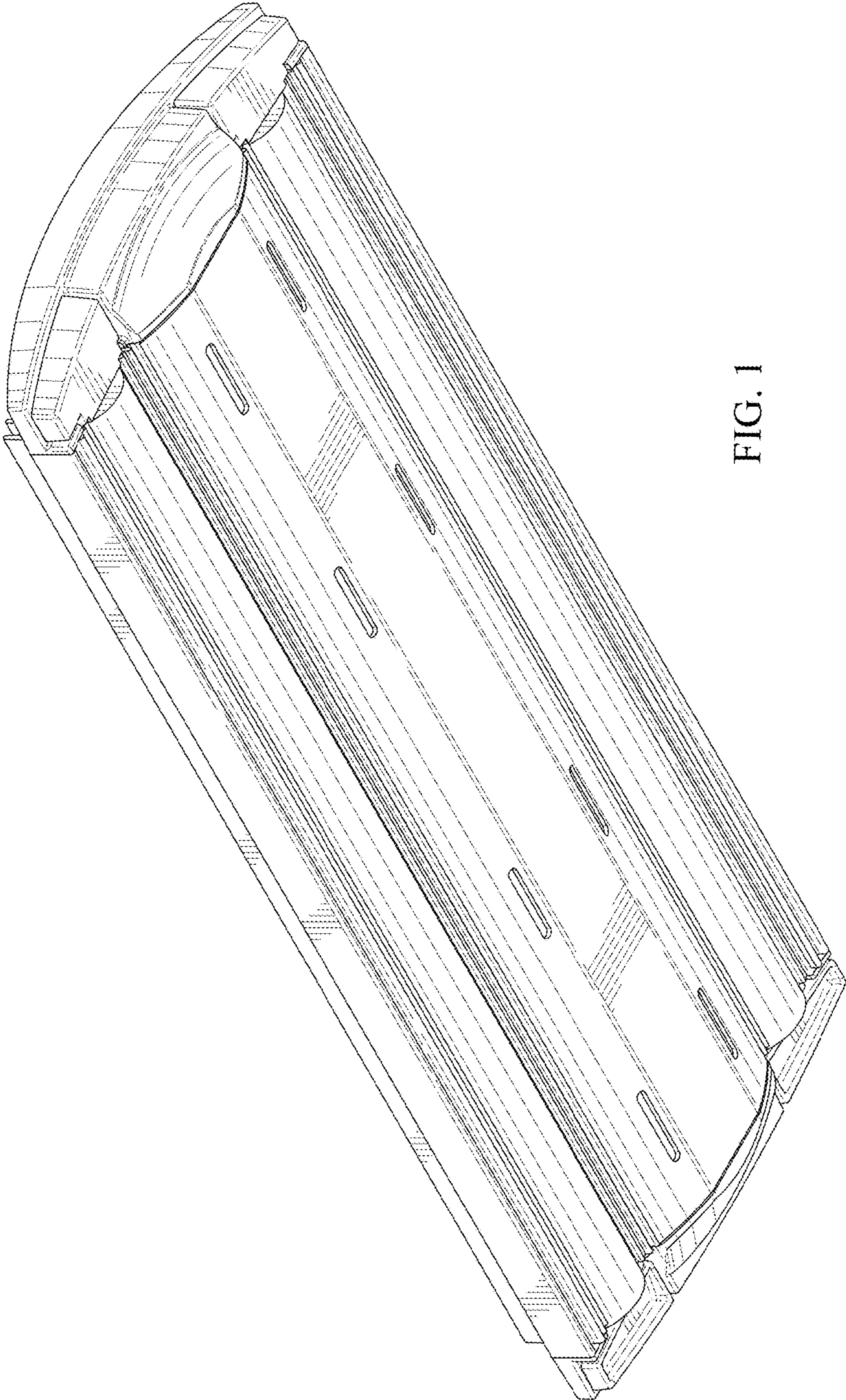


FIG. 1

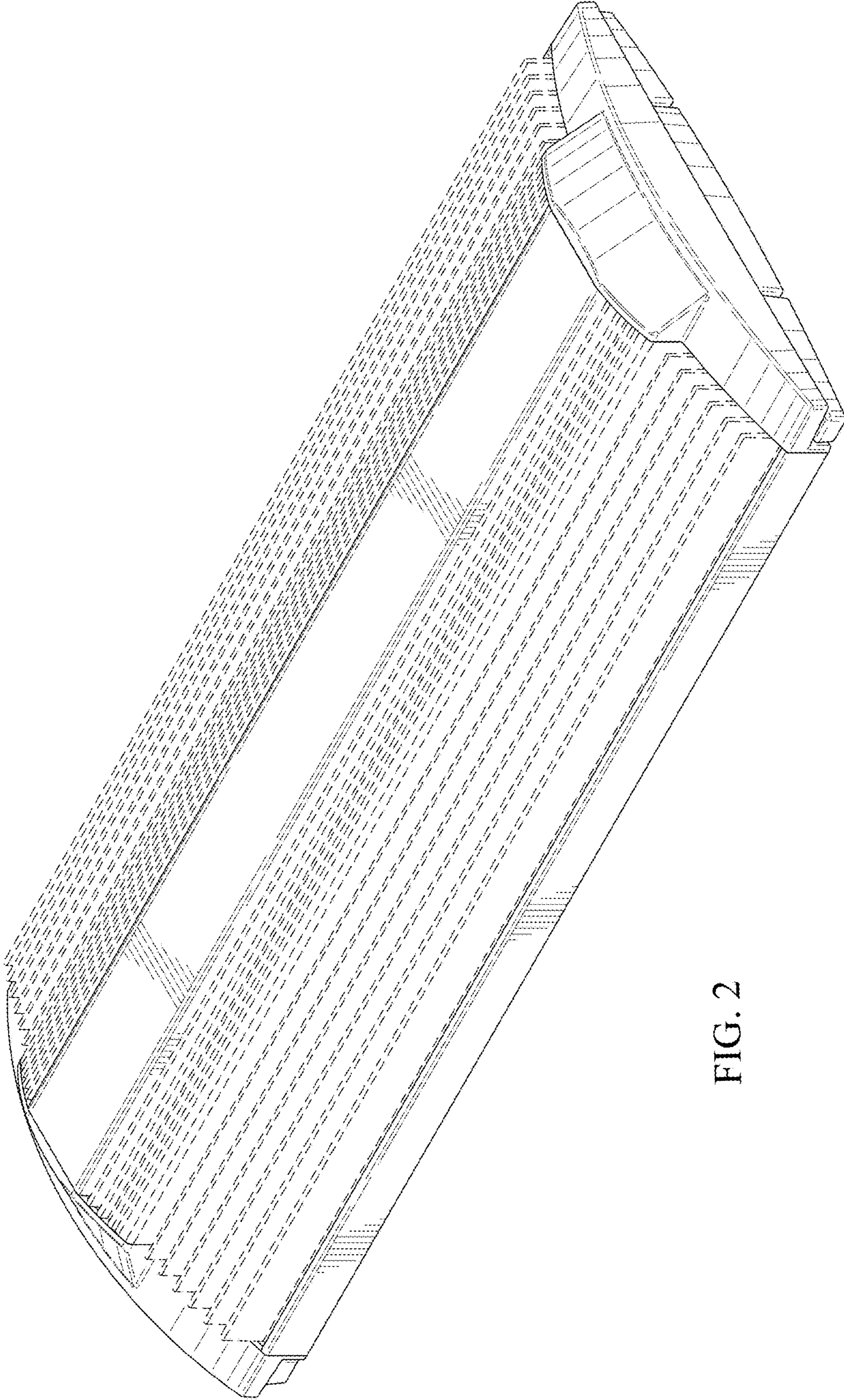


FIG. 2

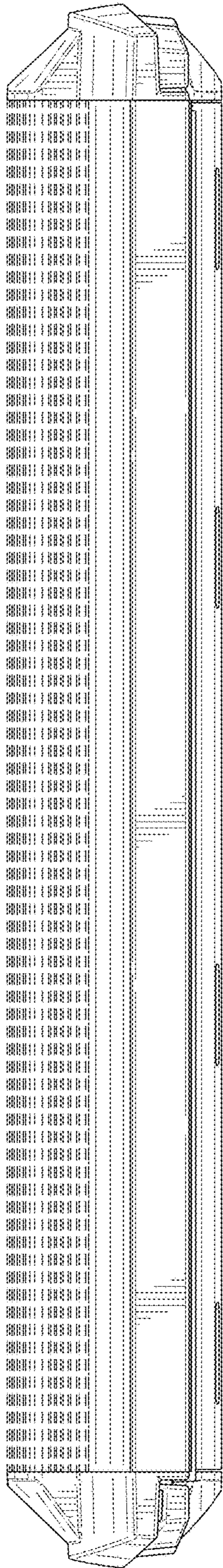


FIG. 3

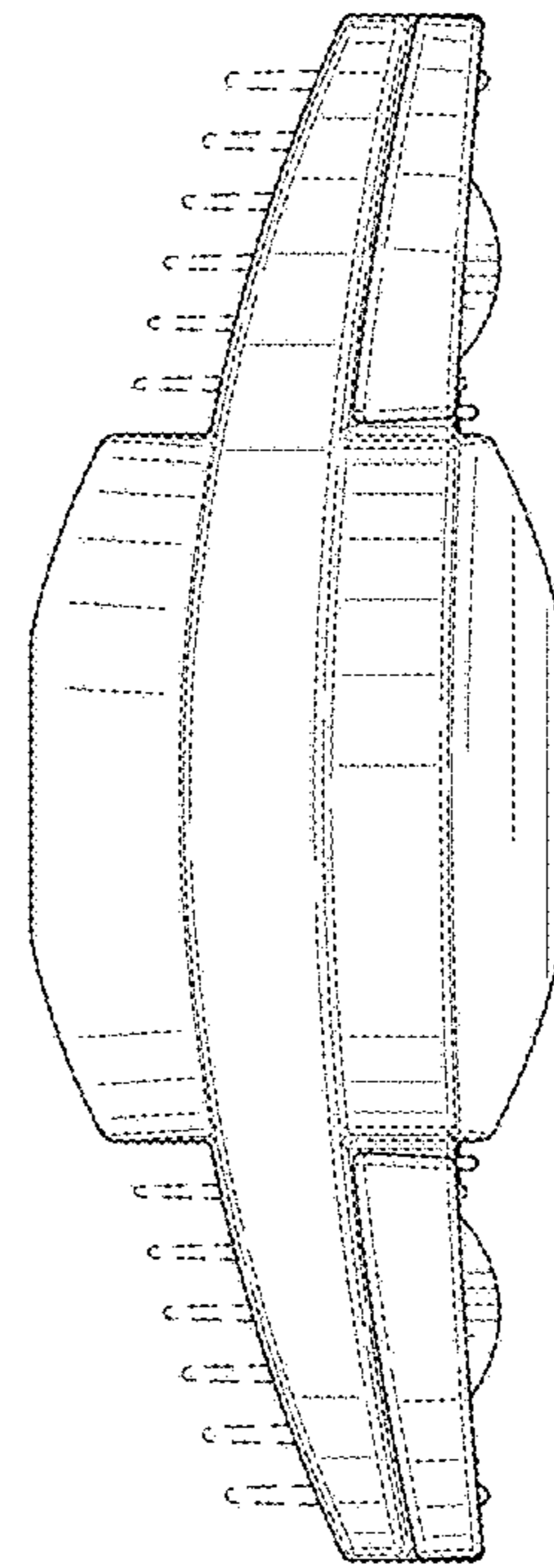


FIG. 4

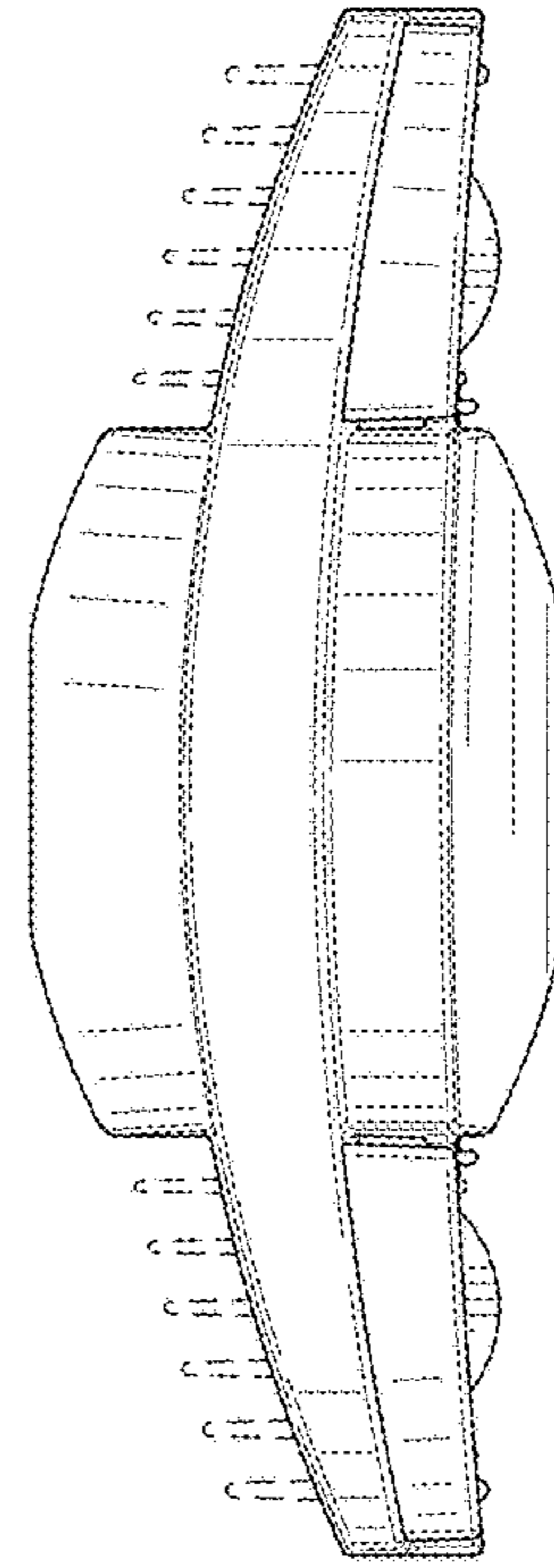


FIG. 5

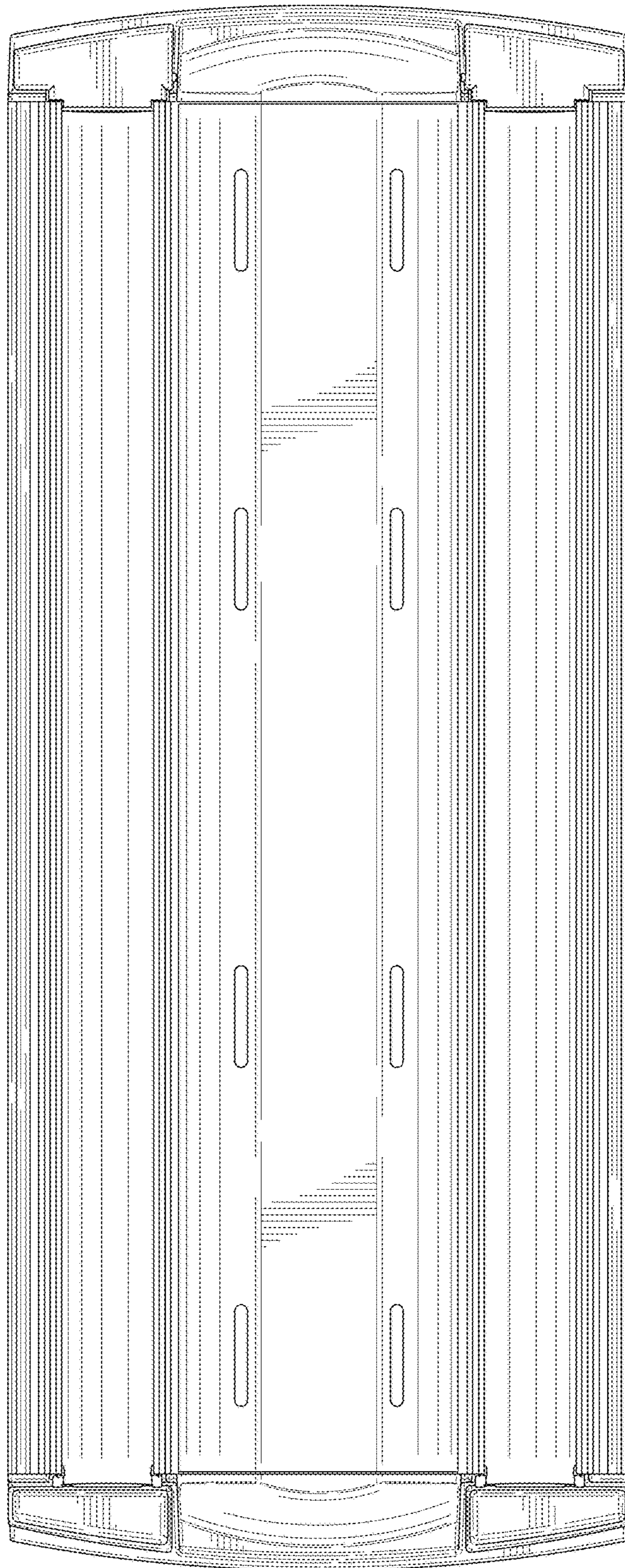


FIG. 6

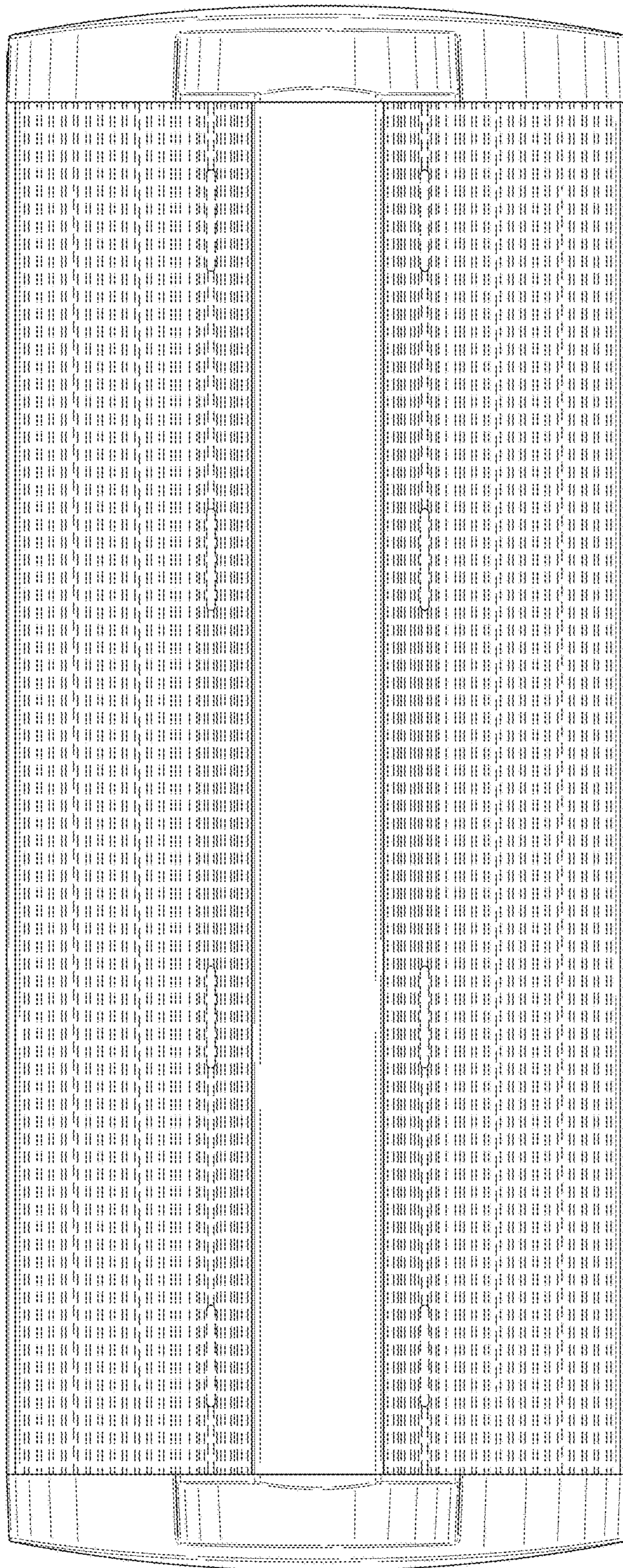


FIG. 7