



US00D800366S

(12) **United States Design Patent**  
**Cavaliere et al.**

(10) **Patent No.:** **US D800,366 S**

(45) **Date of Patent:** **\*\* Oct. 17, 2017**

(54) **LINEAR LIGHT FIXTURE**

(71) Applicant: **Lumenpulse Lighting Inc.**, Montreal (CA)

(72) Inventors: **David Cavaliere**, Quebec (CA); **Yvan Hamel**, Quebec (CA); **Jean-Philippe Pellan**, Quebec (CA)

(73) Assignee: **Lumenpulse Group Inc.** (CA)

(\*\*) Term: **15 Years**

(21) Appl. No.: **29/586,385**

(22) Filed: **Dec. 2, 2016**

**Related U.S. Application Data**

(62) Division of application No. 29/491,980, filed on May 27, 2014, now Pat. No. Des. 773,712.

(51) **LOC (10) Cl.** ..... **26-02**

(52) **U.S. Cl.**  
USPC ..... **D26/75**

(58) **Field of Classification Search**  
USPC ... D26/3, 24, 35, 39, 42, 71, 72, 75, 76, 78, D26/79, 80, 81, 82, 83, 85, 88, 90, 118, D26/119, 120, 121, 122, 138  
CPC ..... F21S 2/00; F21S 4/00; F21S 4/003; F21S 4/005; F21S 4/006; F21S 4/007; F21S 4/008; F21S 6/00; F21S 8/00; F21S 8/024; F21S 8/026; F21S 8/031; F21S 8/033; F21S 8/035-8/037; F21S 8/04; F21S 8/043; F21S 8/063

See application file for complete search history.

(56) **References Cited**

U.S. PATENT DOCUMENTS

D292,619 S *	11/1987	Chen .....	D26/75
D520,173 S *	5/2006	Plunk .....	D26/78
D537,553 S *	2/2007	Kotovskyy .....	D26/75
D667,584 S *	9/2012	Beghelli .....	D26/75

\* cited by examiner

*Primary Examiner* — Brian N Vinson

(74) *Attorney, Agent, or Firm* — Burns & Levinson LLP; Joseph M. Maraia

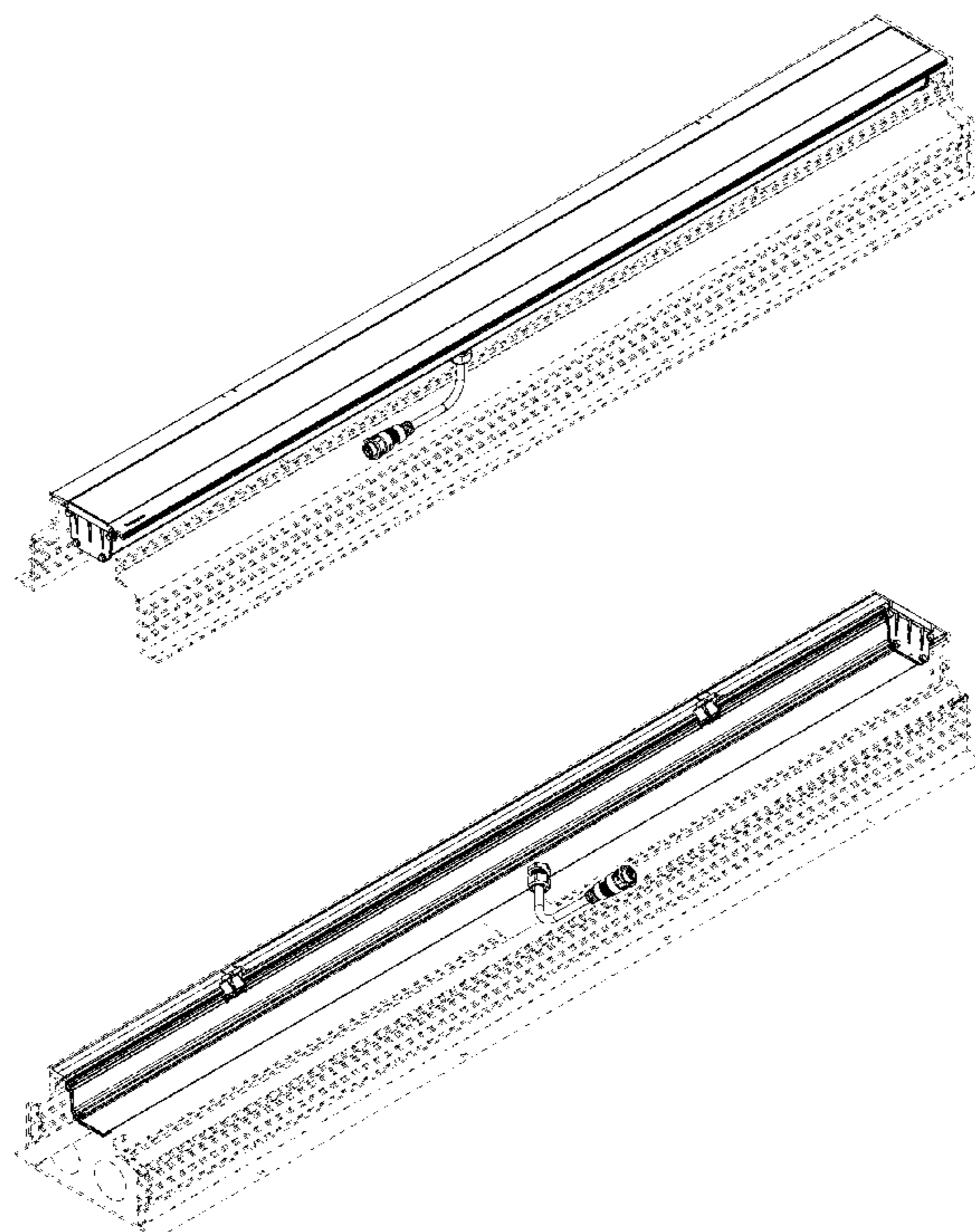
(57) **CLAIM**

The ornamental design for a linear light fixture, as shown and described.

**DESCRIPTION**

FIG. 1 is an isometric top front view of a linear light fixture showing our new design;  
FIG. 2 is an isometric bottom rear view thereof;  
FIG. 3 is a front view thereof;  
FIG. 4 is a rear thereof;  
FIG. 5 is a left view thereof;  
FIG. 6 is a right view thereof;  
FIG. 7 is a top view thereof;  
FIG. 8 is a bottom view thereof;  
FIG. 9 is a cross-sectional view thereof taken in the direction of line 9-9 of FIG. 7; and,  
FIG. 10 is an exploded view thereof.  
The broken line disclosure of the block-out structure forms no part of the claimed design.

**1 Claim, 4 Drawing Sheets**



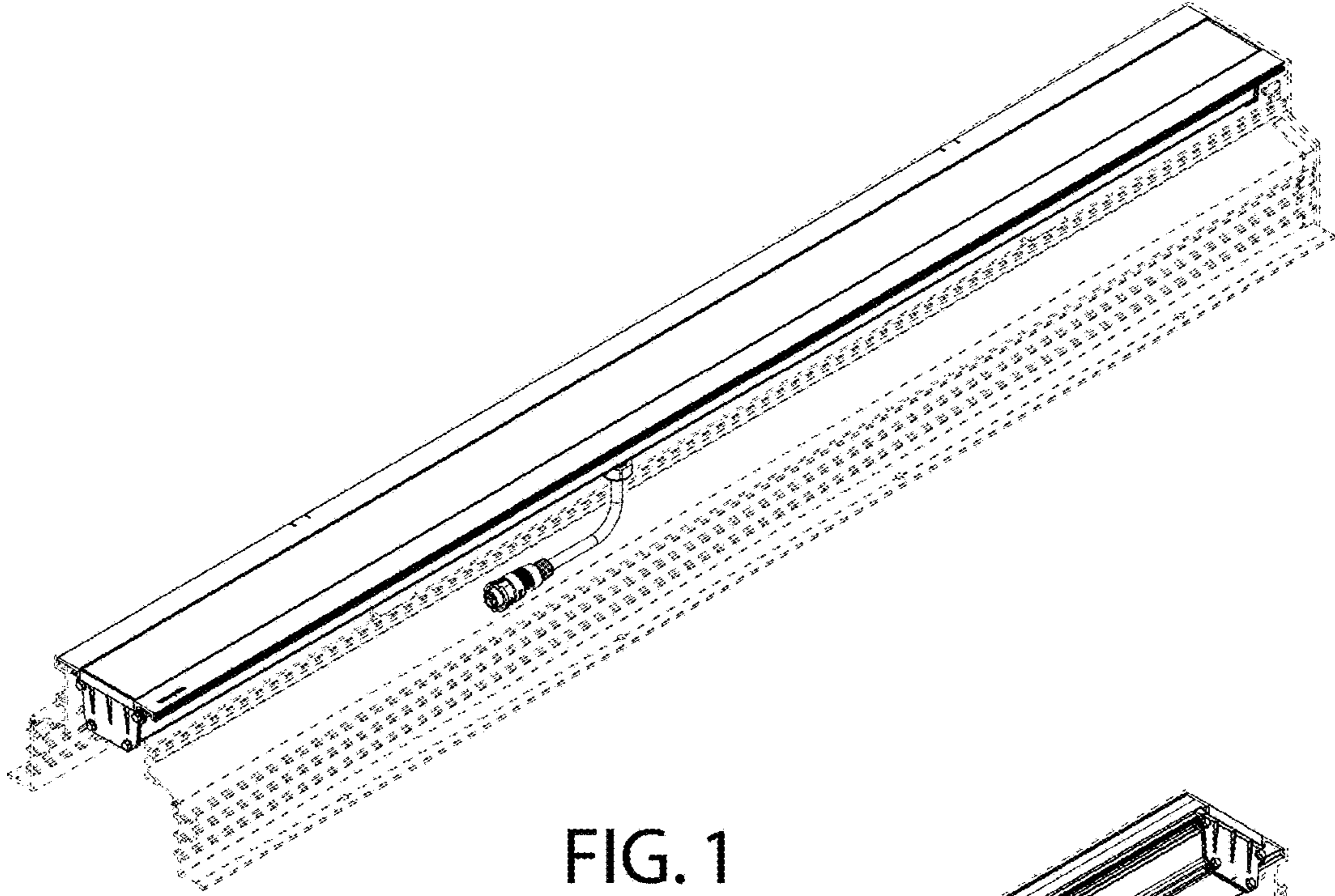


FIG. 1

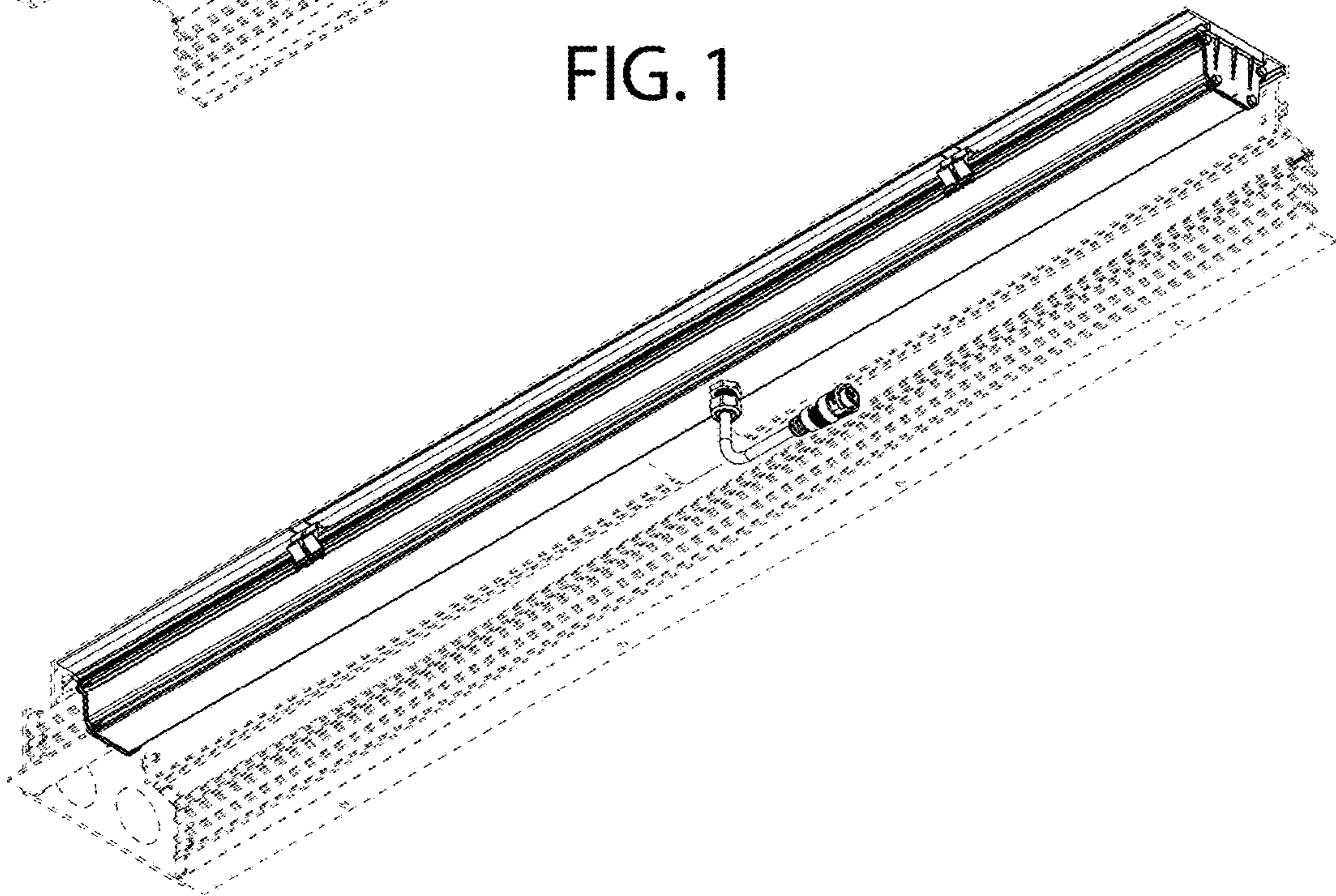


FIG. 2

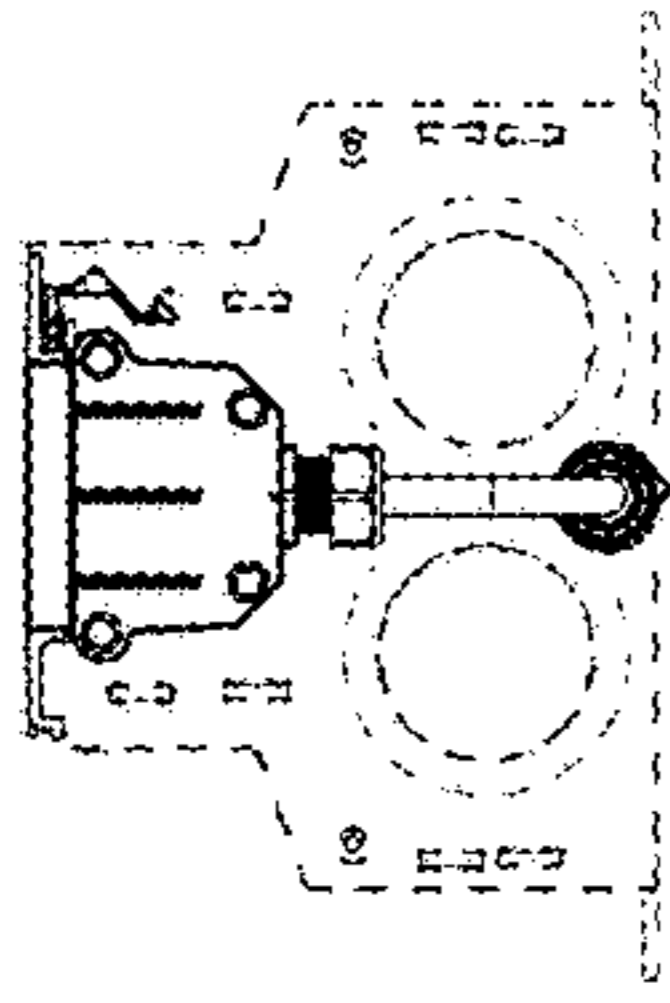


FIG. 3

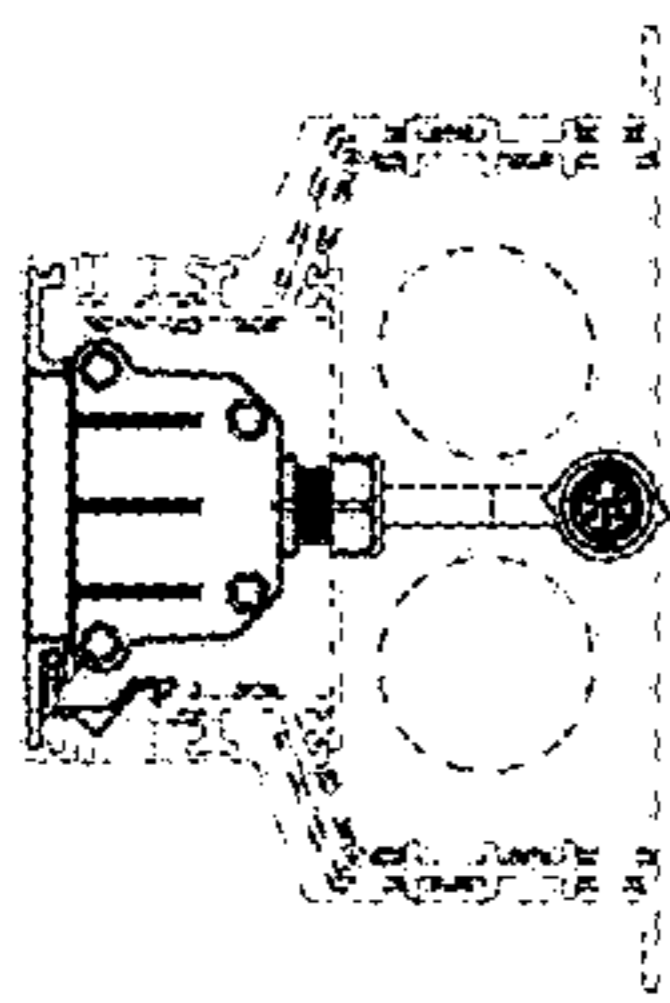


FIG. 4

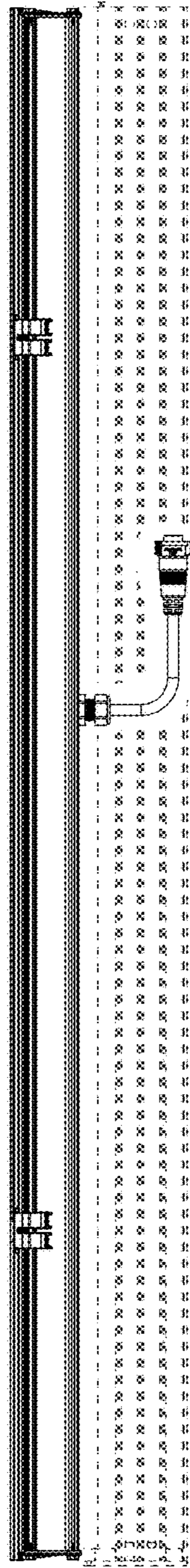


FIG. 5

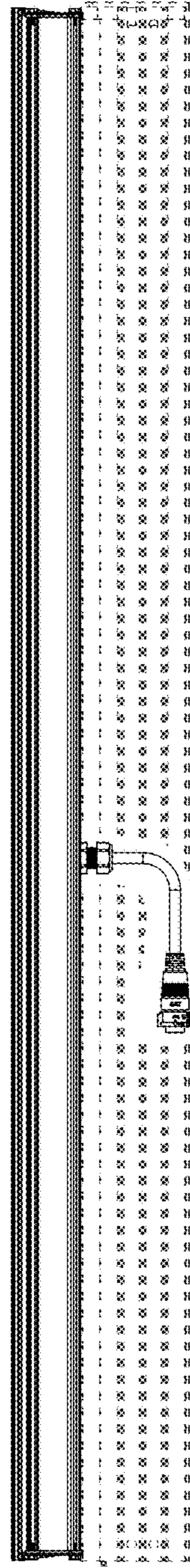


FIG. 6

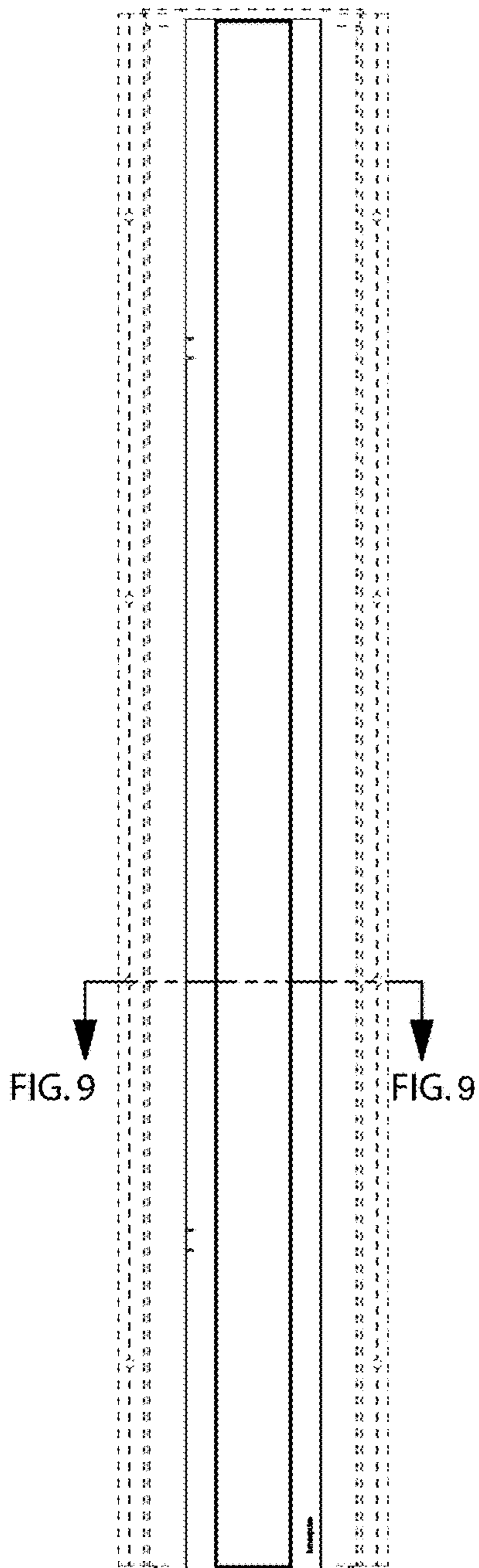


FIG. 7

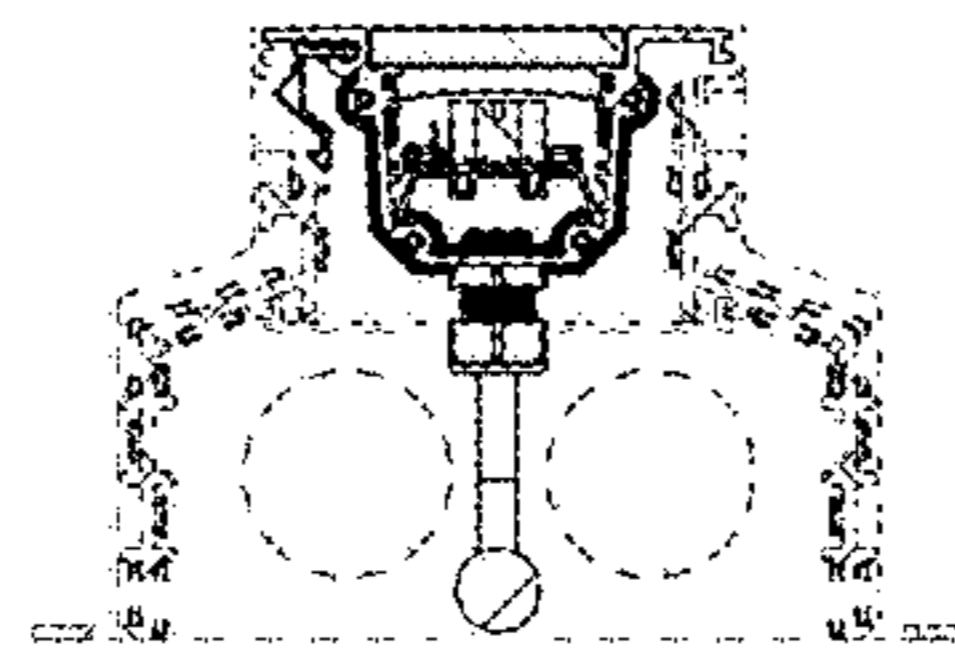


FIG. 9

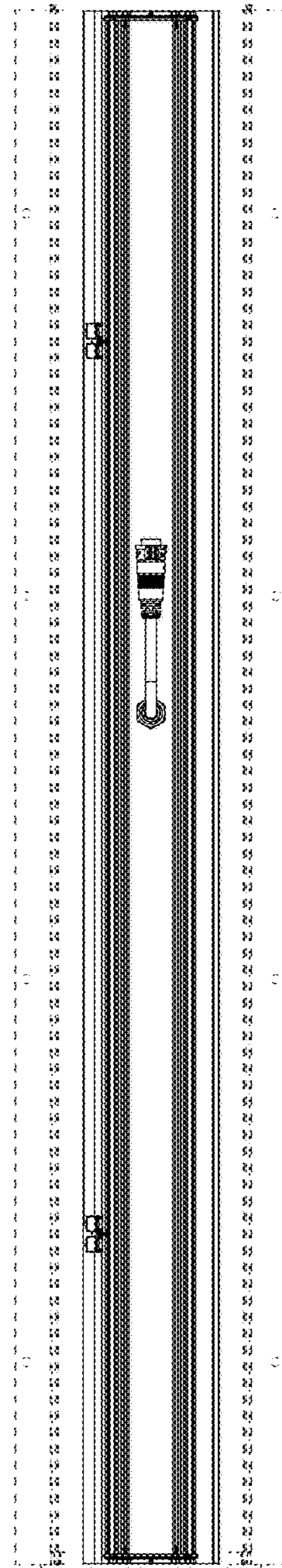


FIG. 8

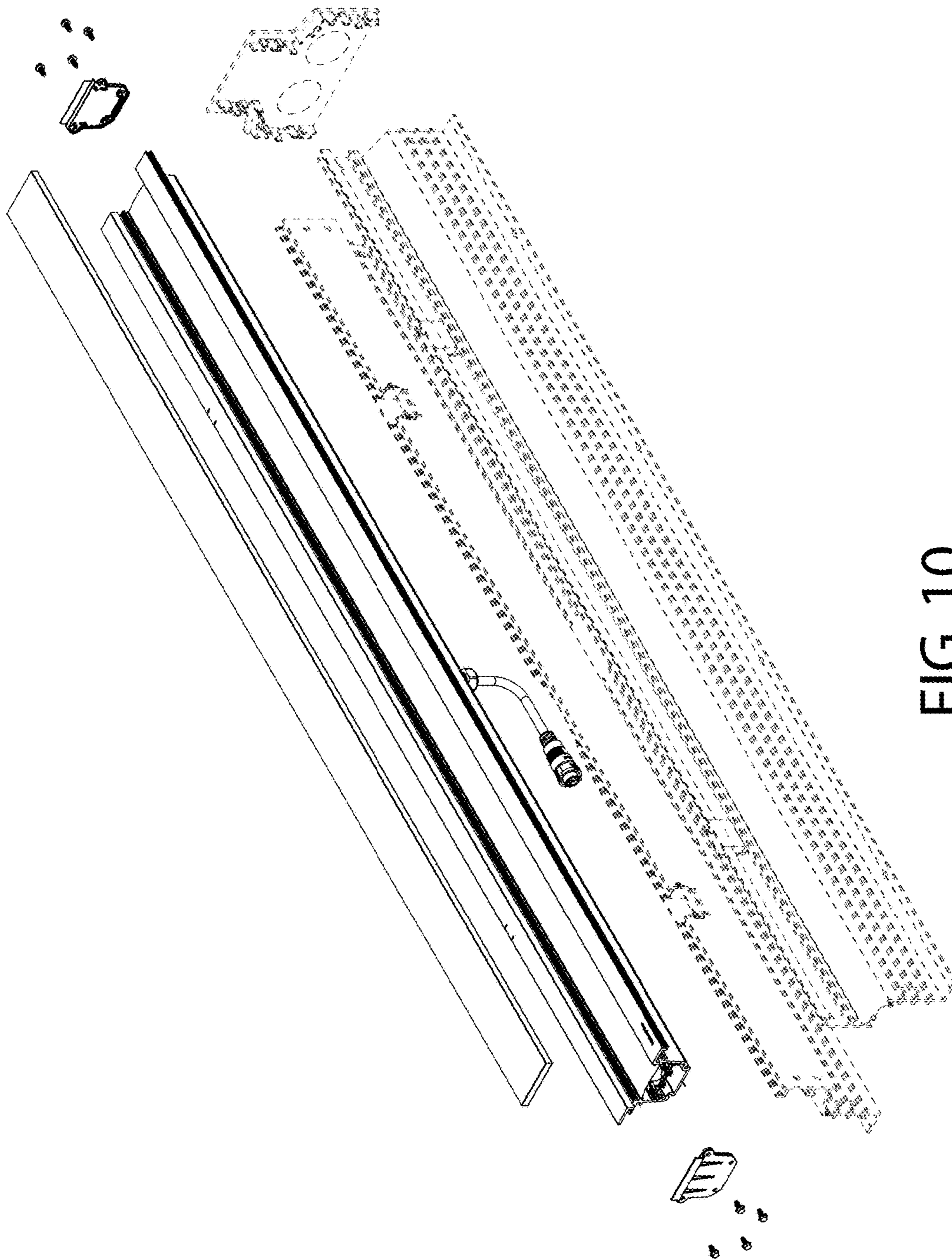


FIG. 10