



US00D800365S

(12) **United States Design Patent**
Xiang et al.

(10) **Patent No.:** **US D800,365 S**

(45) **Date of Patent:** **** Oct. 17, 2017**

(54) **MODULAR LED LIGHT HOUSING FOR CANOPY MOUNTING**

(71) Applicant: **MAXLITE, INC.**, West Caldwell, NJ (US)

(72) Inventors: **Jun Xiang**, Parsippany, NJ (US);
Francisco J. Garza, Tamiment, PA (US)

(73) Assignee: **MaxLite, Inc.**, West Caldwell, NJ (US)

(**) Term: **15 Years**

(21) Appl. No.: **29/547,127**

(22) Filed: **Dec. 1, 2015**

(51) **LOC (10) Cl.** **26-05**

(52) **U.S. Cl.**
USPC **D26/72**

(58) **Field of Classification Search**
USPC D26/24, 63, 72, 80, 84, 88, 89, 118, 152
CPC F21S 8/04; F21S 8/026; F21S 8/033; F21S 8/036; F21S 8/03; F21S 8/043; F21S 8/046; F21S 8/06; F21S 8/061; F21S 8/063; F21S 8/068; F21S 13/02; F21V 21/04; F21V 17/02; F21V 17/04; F21V 17/164

See application file for complete search history.

(56) **References Cited**

U.S. PATENT DOCUMENTS

D189,428 S *	12/1960	Salvia	D26/63
D220,118 S *	3/1971	Tawll et al.	D26/63
D591,883 S *	5/2009	Gill	D26/63
7,780,318 B2 *	8/2010	Xiao	F21V 21/30 248/200
D623,326 S *	9/2010	Chen	D26/63
D630,785 S *	1/2011	Kim	D26/63

D645,594 S *	9/2011	Grawe	D26/63
D674,949 S *	1/2013	Georgitsis	F21V 21/14 D26/63
D679,853 S *	4/2013	Chiou	D26/63
D689,234 S *	9/2013	Zhang	D26/72
2010/0296287 A1 *	11/2010	Huang	F21V 15/013 362/249.02
2012/0087118 A1 *	4/2012	Bailey	F21V 29/507 362/235
2013/0308325 A1 *	11/2013	Verfuert	F21V 21/30 362/371

* cited by examiner

Primary Examiner — Clare E Heflin

(74) *Attorney, Agent, or Firm* — Budzyn IP Law, LLC

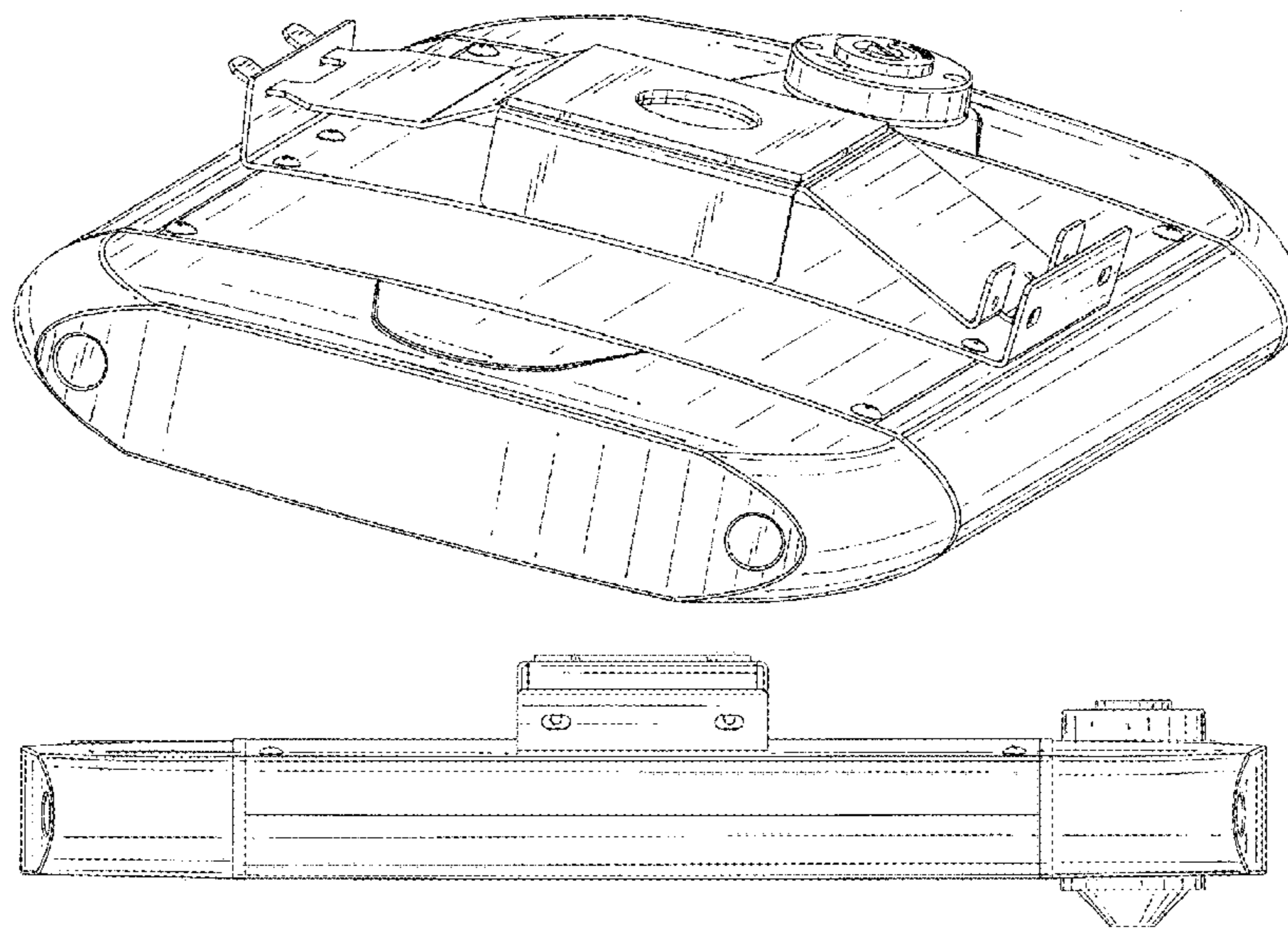
(57) **CLAIM**

The ornamental design for a modular LED light housing for canopy mounting, as shown and described.

DESCRIPTION

FIG. 1 is a perspective view of a first embodiment of a modular LED light housing for canopy mounting;
 FIG. 2 is a front elevational view thereof;
 FIG. 3 is a right elevational view thereof, the left elevational view being a mirror image thereof;
 FIG. 4 is a rear elevational view thereof;
 FIG. 5 is a top plan view thereof, and,
 FIG. 6 is a bottom plan view thereof;
 FIG. 7 is a perspective view of a second embodiment of a modular LED light housing for canopy mounting;
 FIG. 8 is a front elevational view thereof;
 FIG. 9 is a right elevational view thereof, the left elevational view being a mirror image thereof;
 FIG. 10 is a rear elevational view thereof;
 FIG. 11 is a top plan view thereof; and,
 FIG. 12 is a bottom plan view thereof.

1 Claim, 12 Drawing Sheets



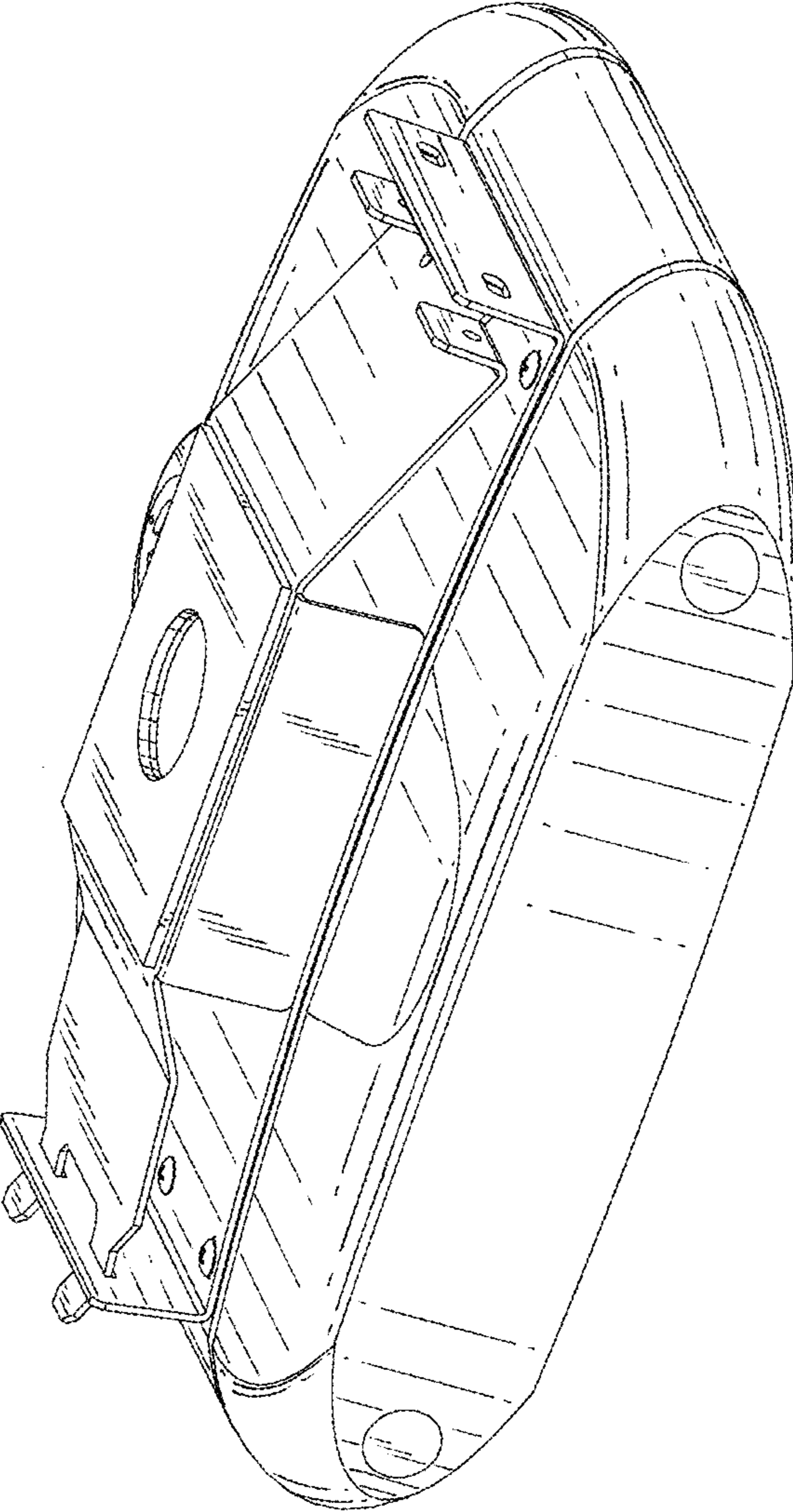


FIGURE 1

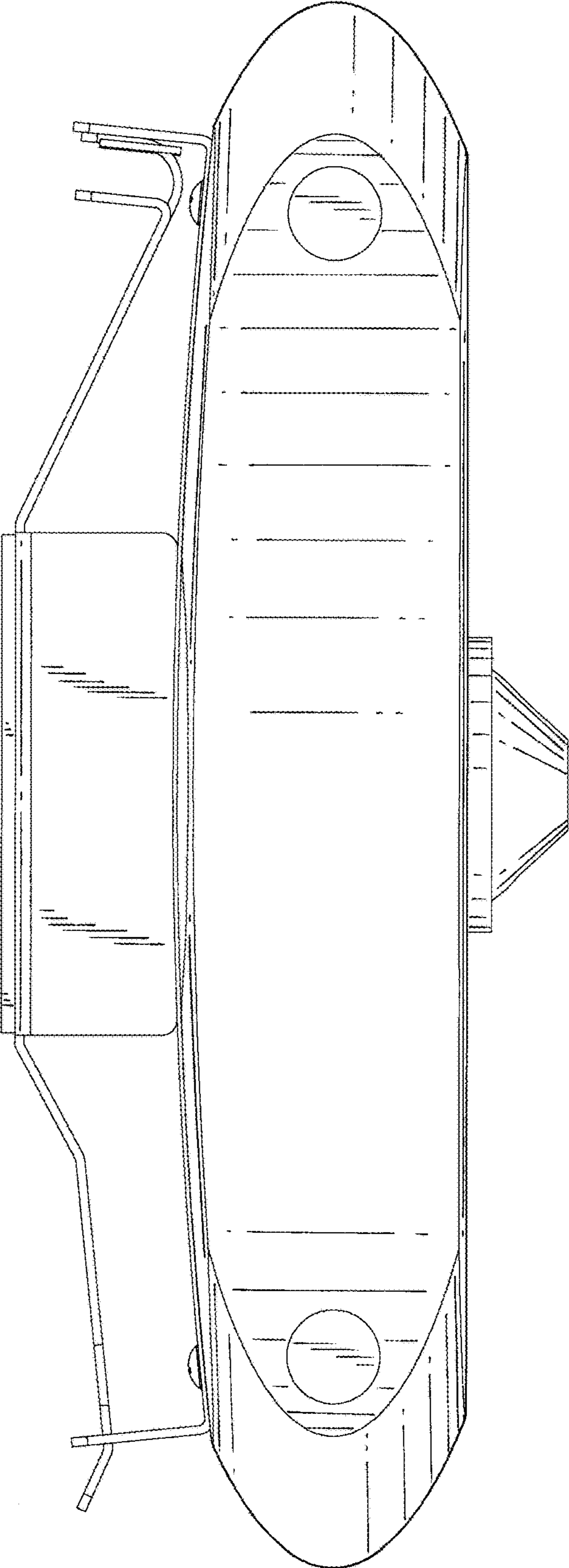


FIGURE 2

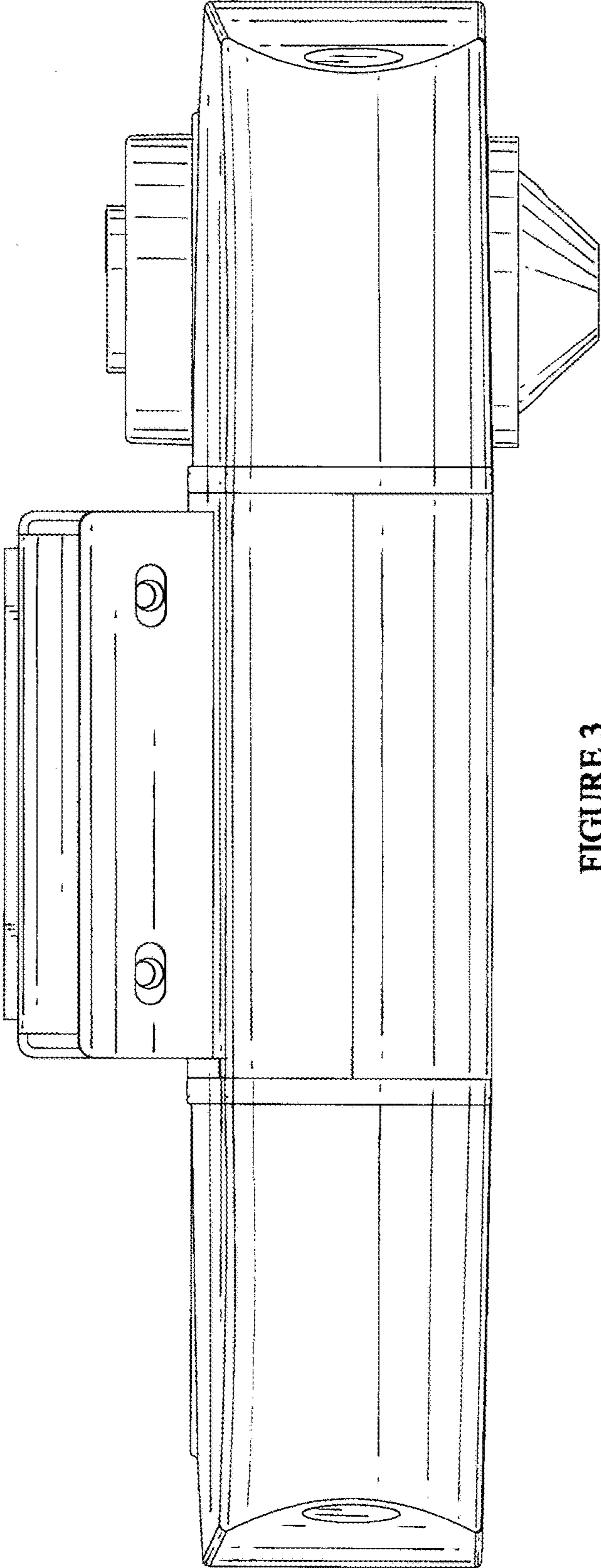


FIGURE 3

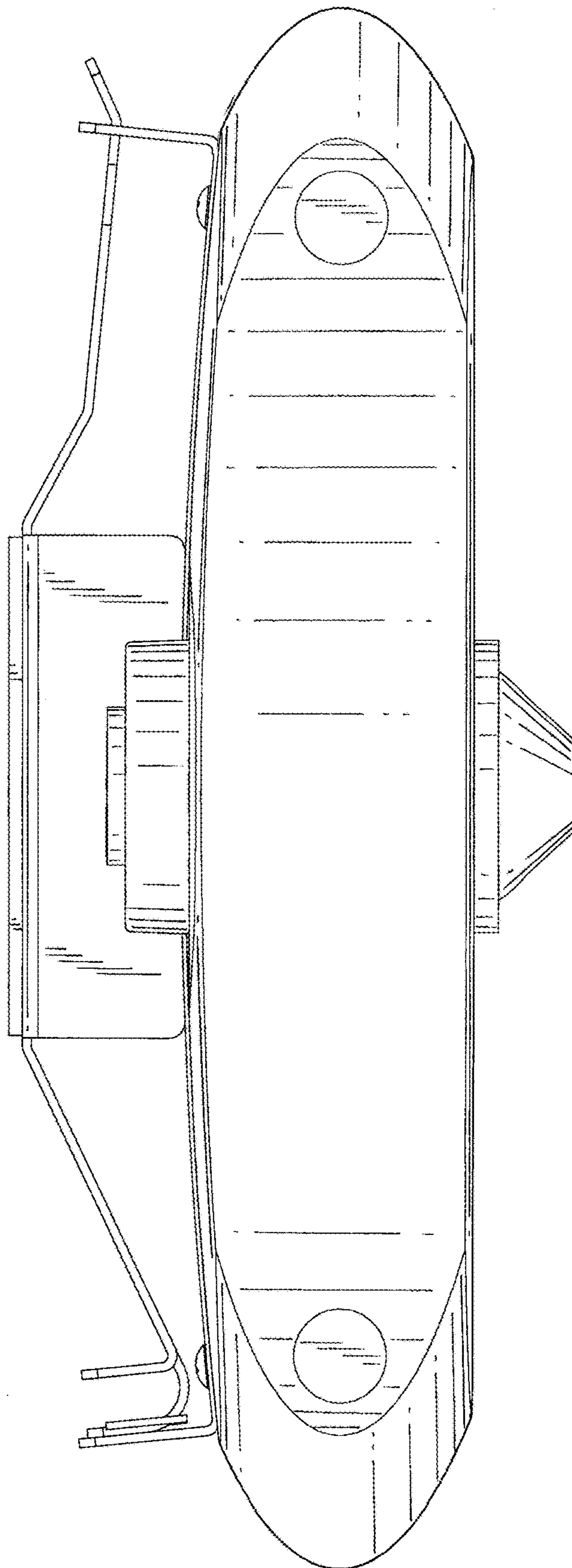


FIGURE 4

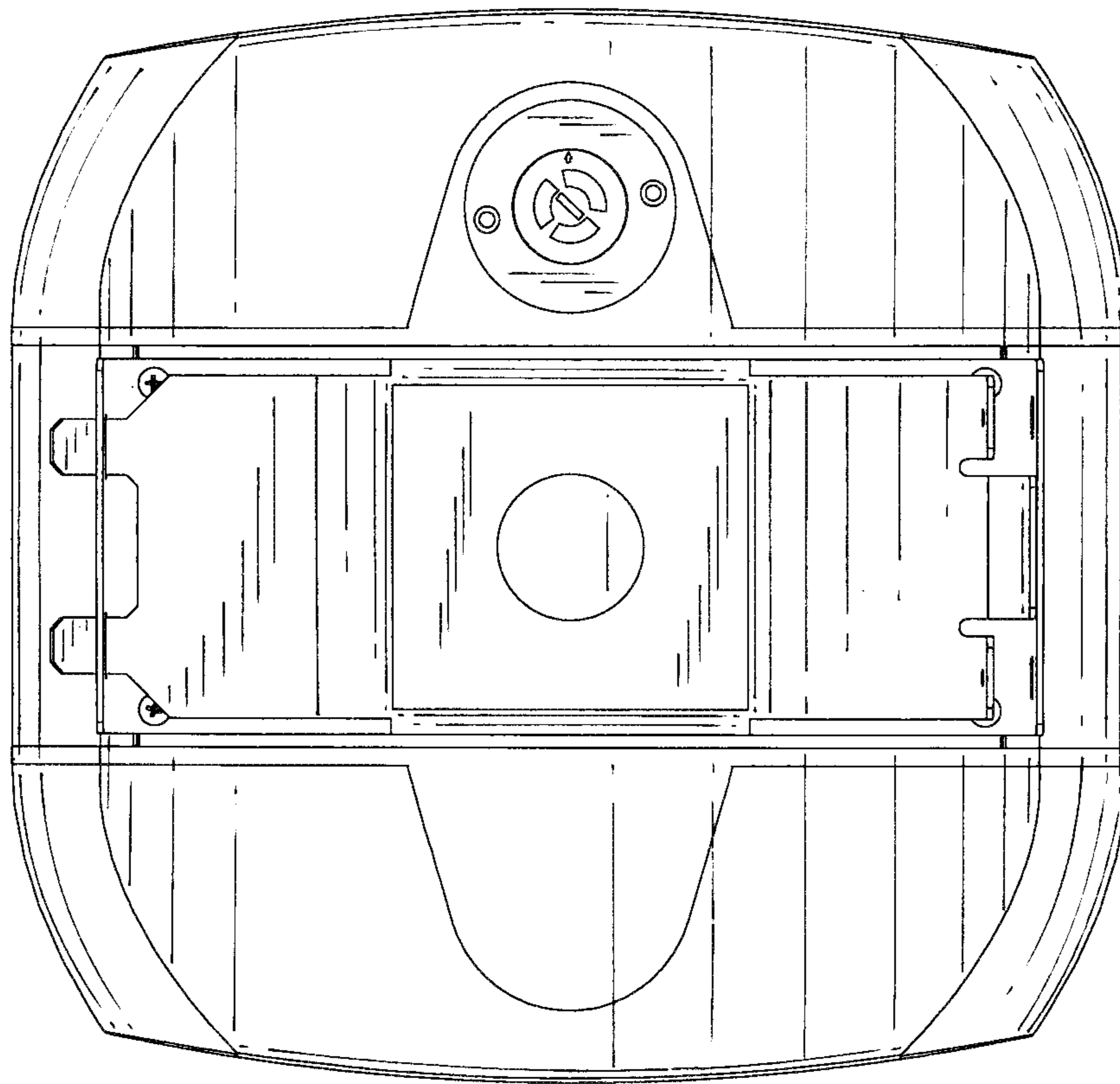


FIGURE 5

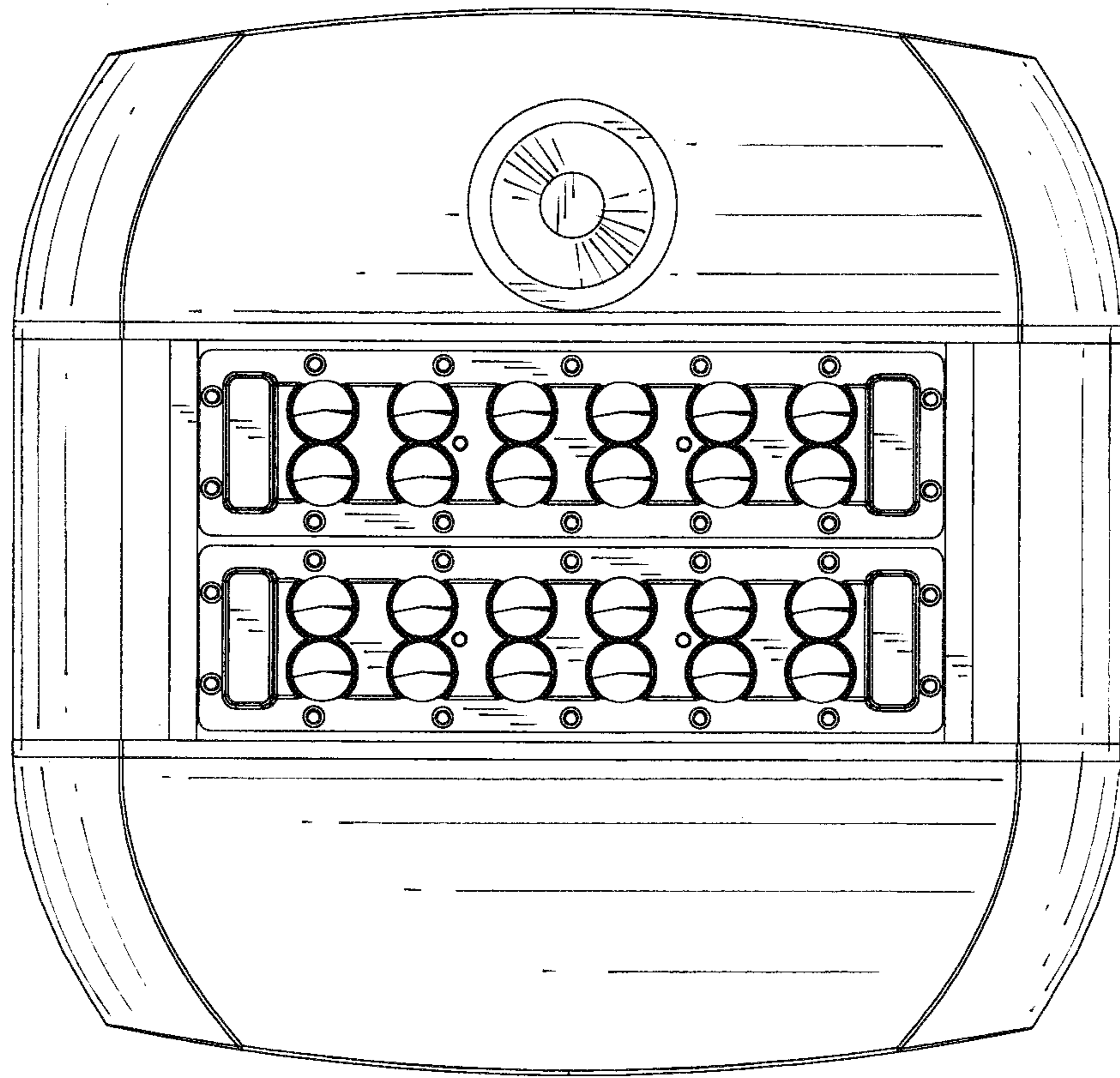


FIGURE 6

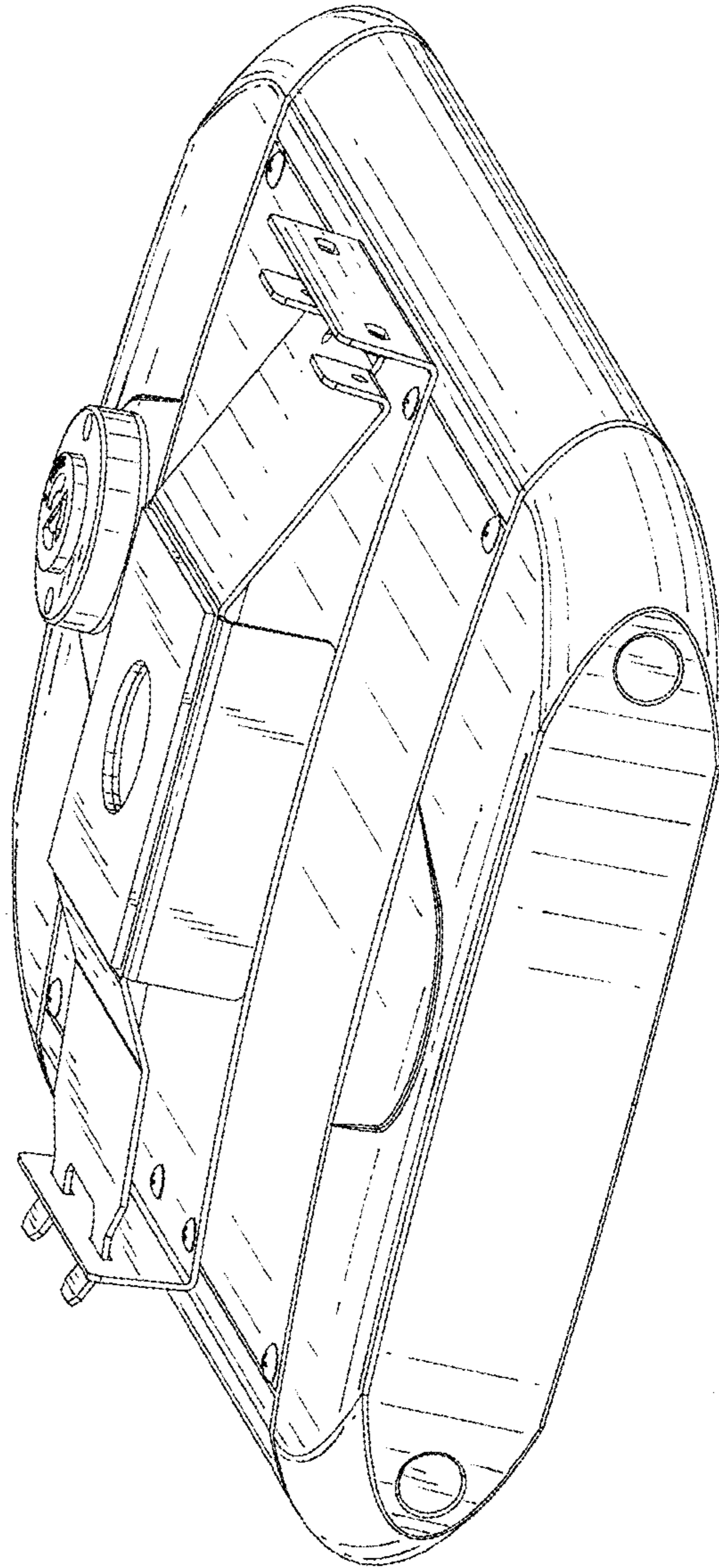


FIGURE 7

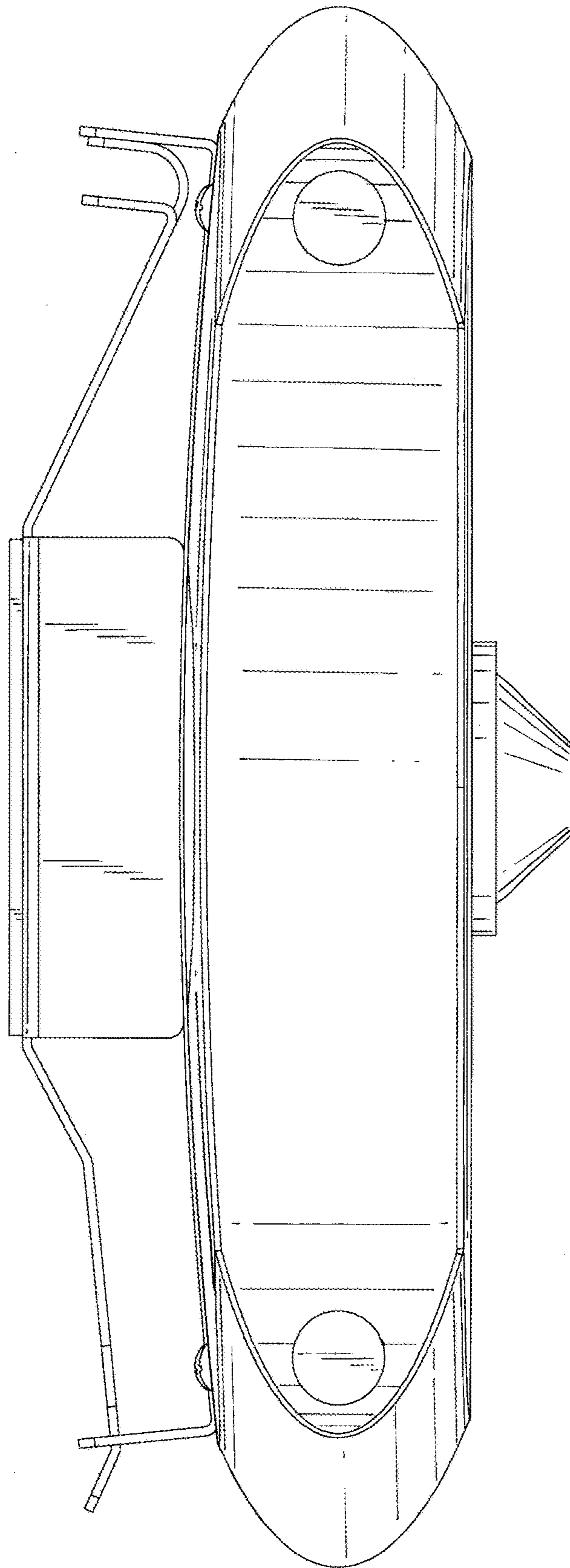


FIGURE 8

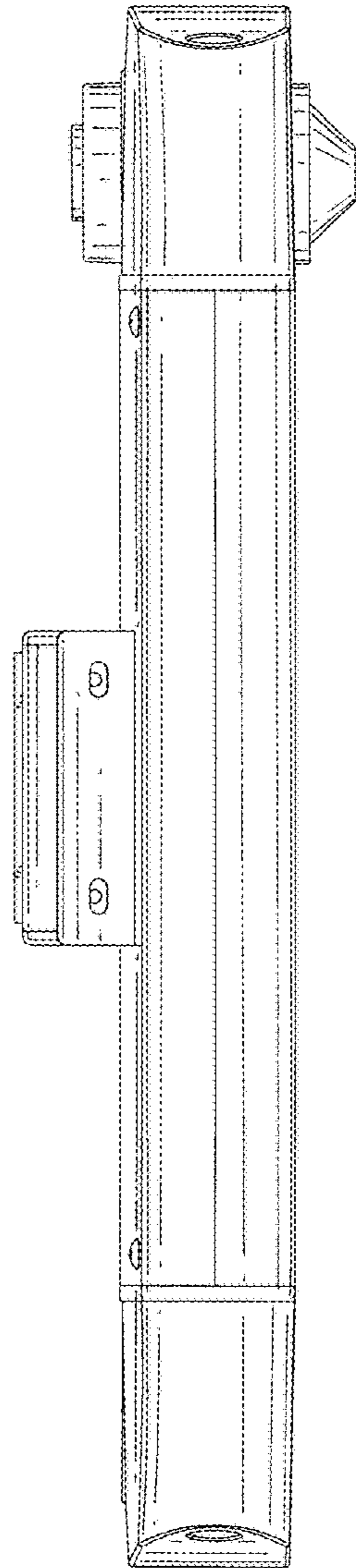


FIGURE 9

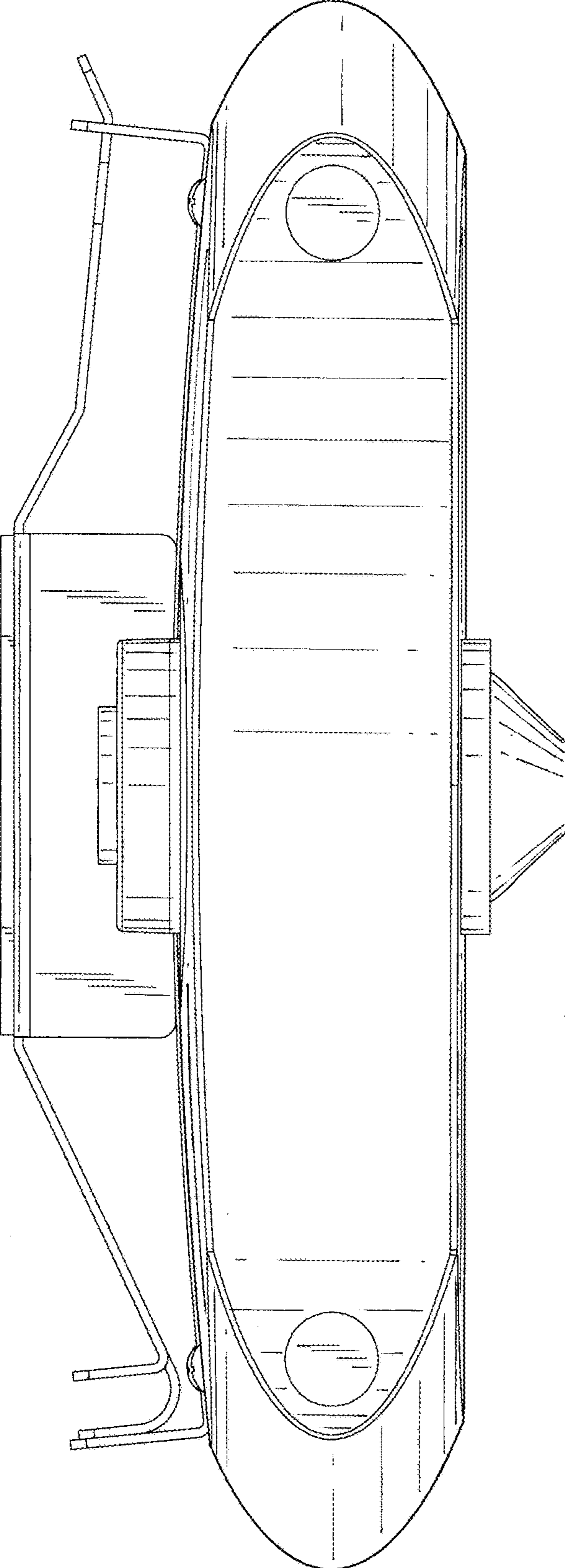


FIGURE 10

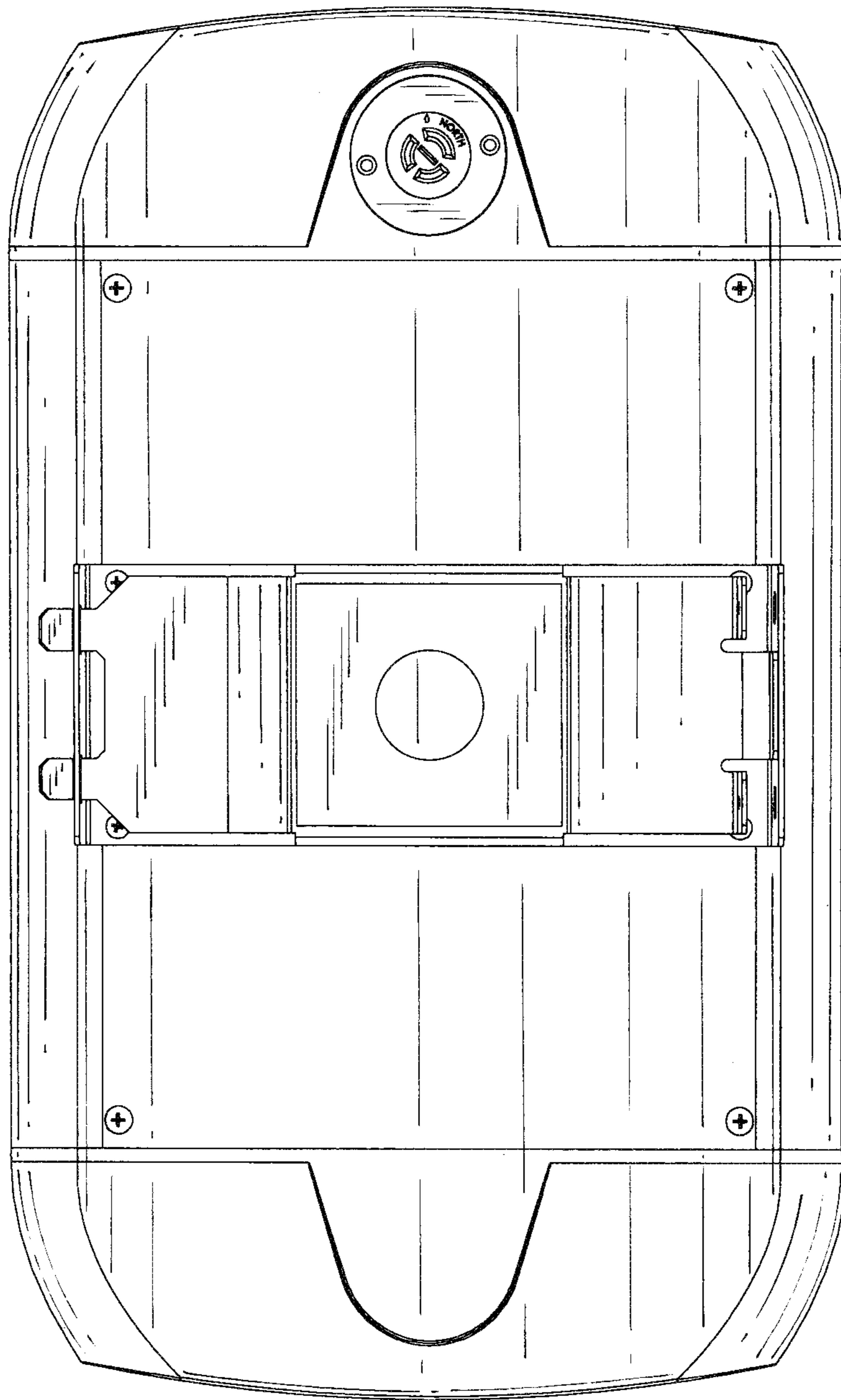


FIGURE 11

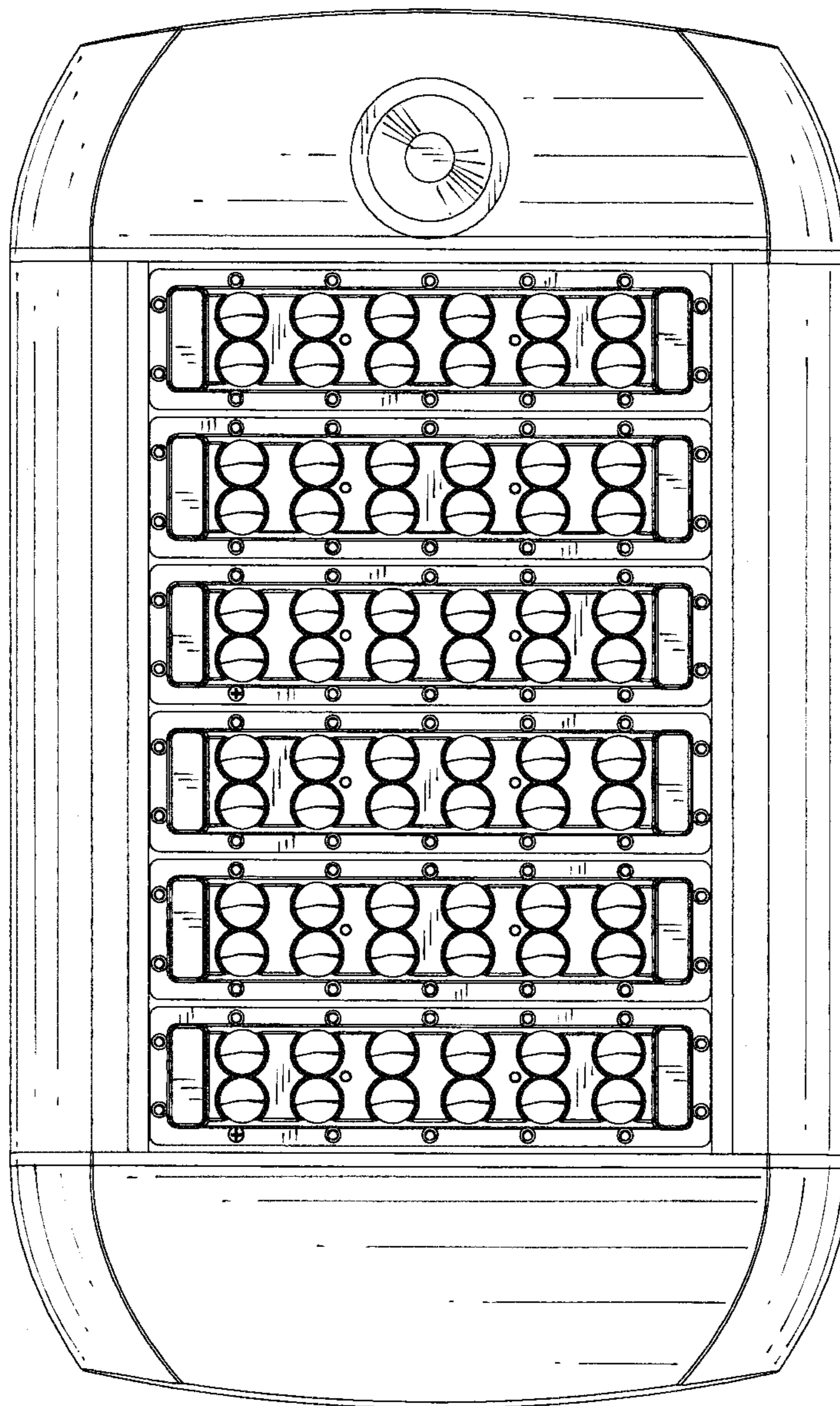


FIGURE 12