



US00D800364S

(12) **United States Design Patent** (10) **Patent No.:** **US D800,364 S**
Lee (45) **Date of Patent:** **** Oct. 17, 2017**

(54) **FLAG POLE LIGHT**
(71) Applicant: **STUFSHOP**, Torrance, CA (US)
(72) Inventor: **Howard Lee**, Tustin, CA (US)
(73) Assignee: **Stufshop**, Torrance, CA (US)
(**) Term: **15 Years**

(21) Appl. No.: **29/544,199**
(22) Filed: **Oct. 30, 2015**
(51) **LOC (10) Cl.** **26-05**
(52) **U.S. Cl.**
USPC **D26/67**
(58) **Field of Classification Search**
USPC D26/24, 63, 67-70, 72, 80, 84, 88, 89,
D26/118, 122, 152
CPC F21S 8/04; F21S 8/026; F21S 8/033; F21S
8/036; F21S 8/03; F21S 8/043; F21S
8/046; F21S 8/06; F21S 8/061; F21S
8/063; F21S 8/068; F21S 8/088; F21S
13/02; F21S 9/037; F21V 21/04; F21V
17/02; F21V 17/04; F21V 17/164
See application file for complete search history.

(56) **References Cited**

U.S. PATENT DOCUMENTS

2,266,201 A * 12/1941 Heidel B60Q 1/26
340/480
D217,735 S * 6/1970 Moore D26/67
D488,879 S * 4/2004 Brown D26/67
D542,454 S * 5/2007 Chan D26/60
D558,908 S * 1/2008 Waedeled D26/67
D563,017 S * 2/2008 Waedeled D26/70
D564,687 S * 3/2008 Bucher D26/60
D623,337 S * 9/2010 Zheng D26/67
D629,555 S * 12/2010 Hiratsuka D26/118
D696,441 S * 12/2013 Audette D26/24
D704,362 S * 5/2014 Audette D26/24
D718,892 S * 12/2014 Kim D26/24
D725,304 S * 3/2015 Nelson D26/67

D752,798 S * 3/2016 Righetto D26/67
2009/0257234 A1 * 10/2009 Zheng F21S 8/06
362/373
2013/0176707 A1 * 7/2013 Audette F21S 8/061
362/84

(Continued)

OTHER PUBLICATIONS

Deneve®, Solar Flag Pole Flagpole Light, Version 1.0, for sale at least by Apr. 2014.

Primary Examiner — Clare E Heflin

(74) *Attorney, Agent, or Firm* — Knobbe Martens Olson & Bear LLP

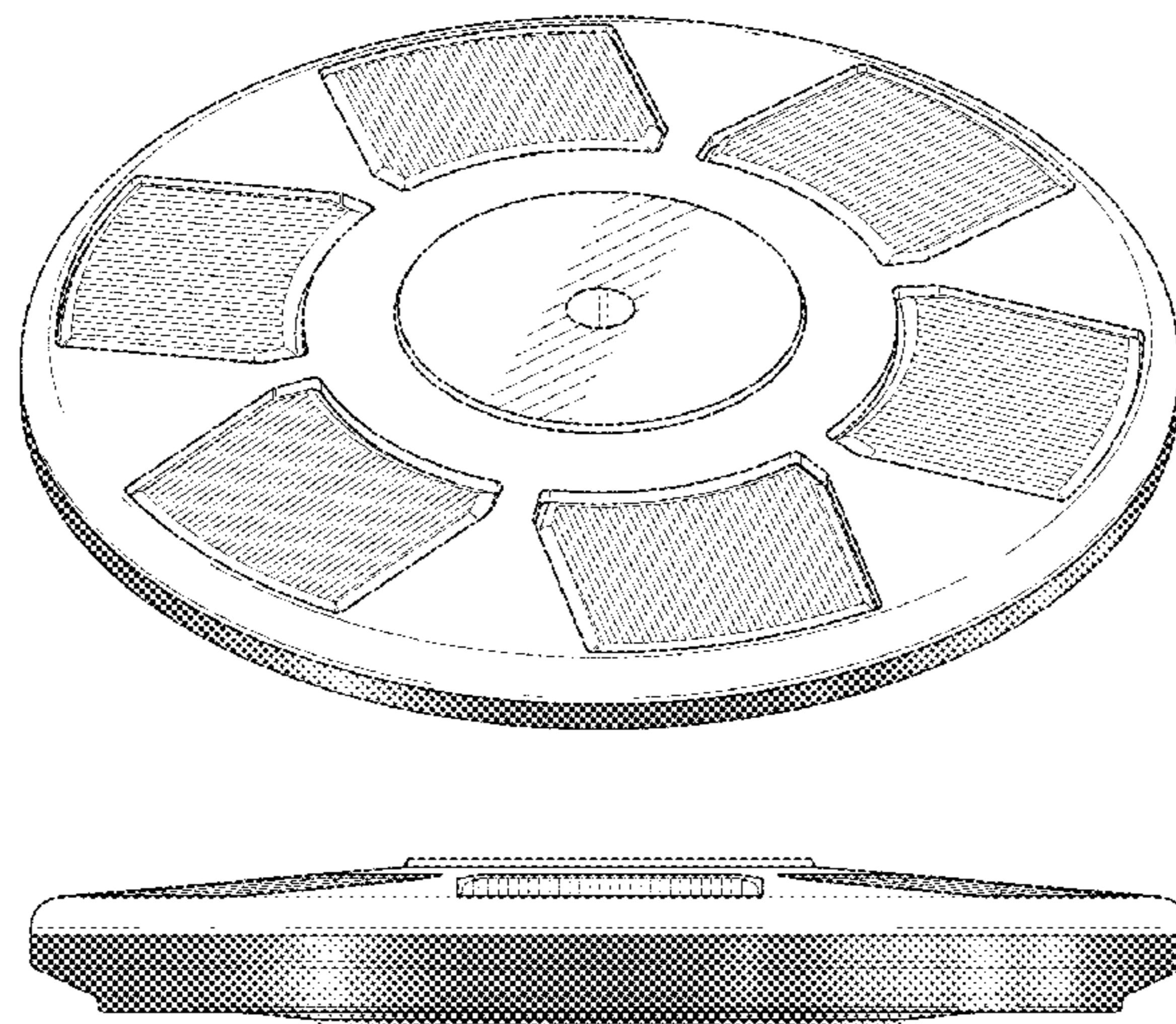
(57) **CLAIM**

The ornamental design for a flag pole light, as shown and described.

DESCRIPTION

FIG. 1 is a bottom perspective view of a flag pole light embodying my new design, wherein the darkened areas depict a reflective surface;
FIG. 2 is a top perspective view thereof, wherein the darkened areas depict a reflective surface;
FIG. 3 is a bottom view thereof, wherein the darkened areas depict a reflective surface;
FIG. 4 is a top view thereof;
FIG. 5 is a front view thereof, wherein the darkened areas depict a reflective surface;
FIG. 6 is a back view thereof, wherein the darkened areas depict a reflective surface;
FIG. 7 is a first side view thereof, wherein the darkened areas depict a reflective surface; and,
FIG. 8 is a second side view thereof, wherein the darkened areas depict a reflective surface.
The bottom surface of the flag pole light is shaded to depict a reflective surface.

1 Claim, 6 Drawing Sheets



(56)

References Cited

U.S. PATENT DOCUMENTS

2014/0022773 A1* 1/2014 Colby F21S 9/037
362/183
2015/0368924 A1* 12/2015 Izradel F21S 8/085
362/183
2016/0348863 A1* 12/2016 Toner F21S 9/035

* cited by examiner

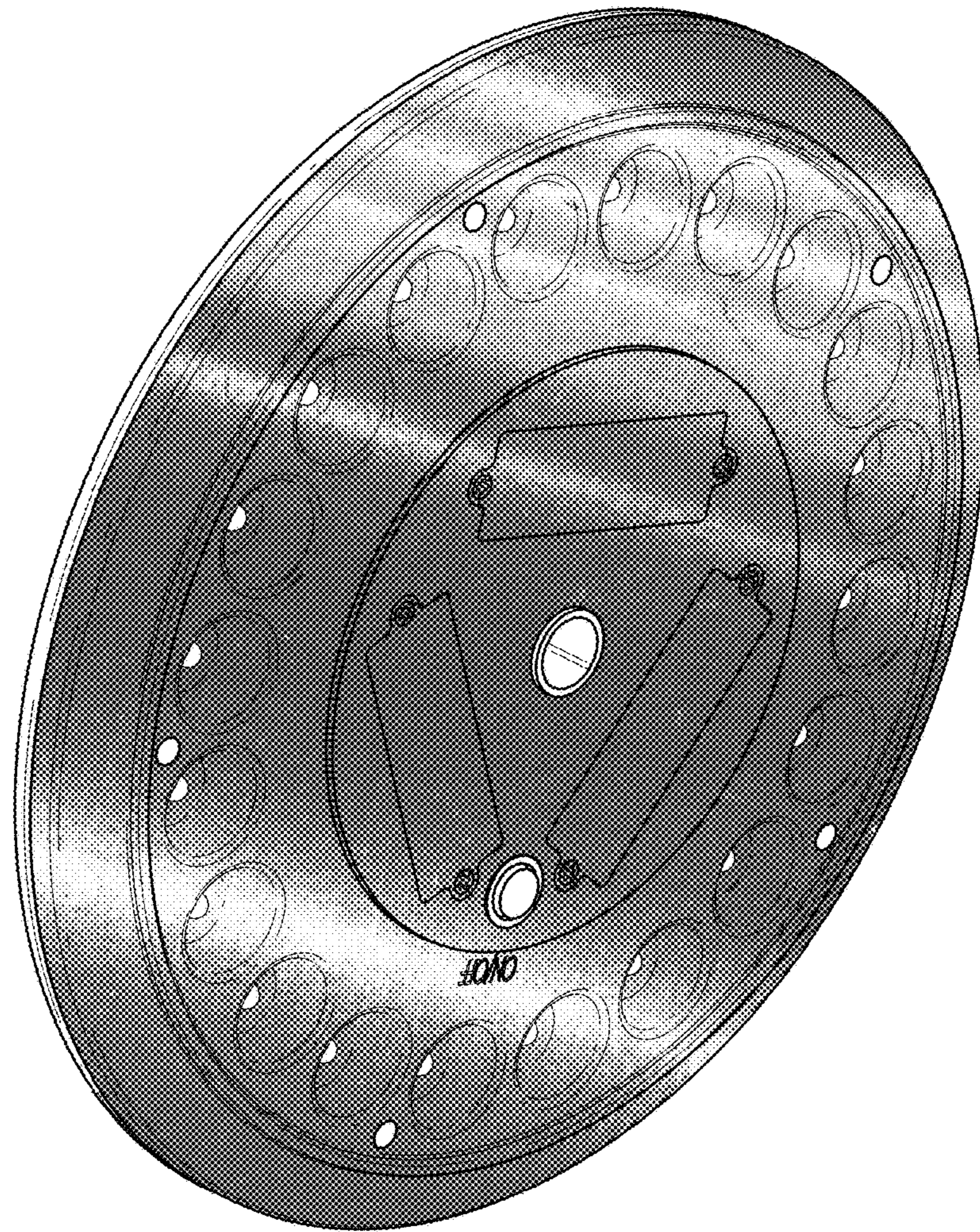


FIG. 1

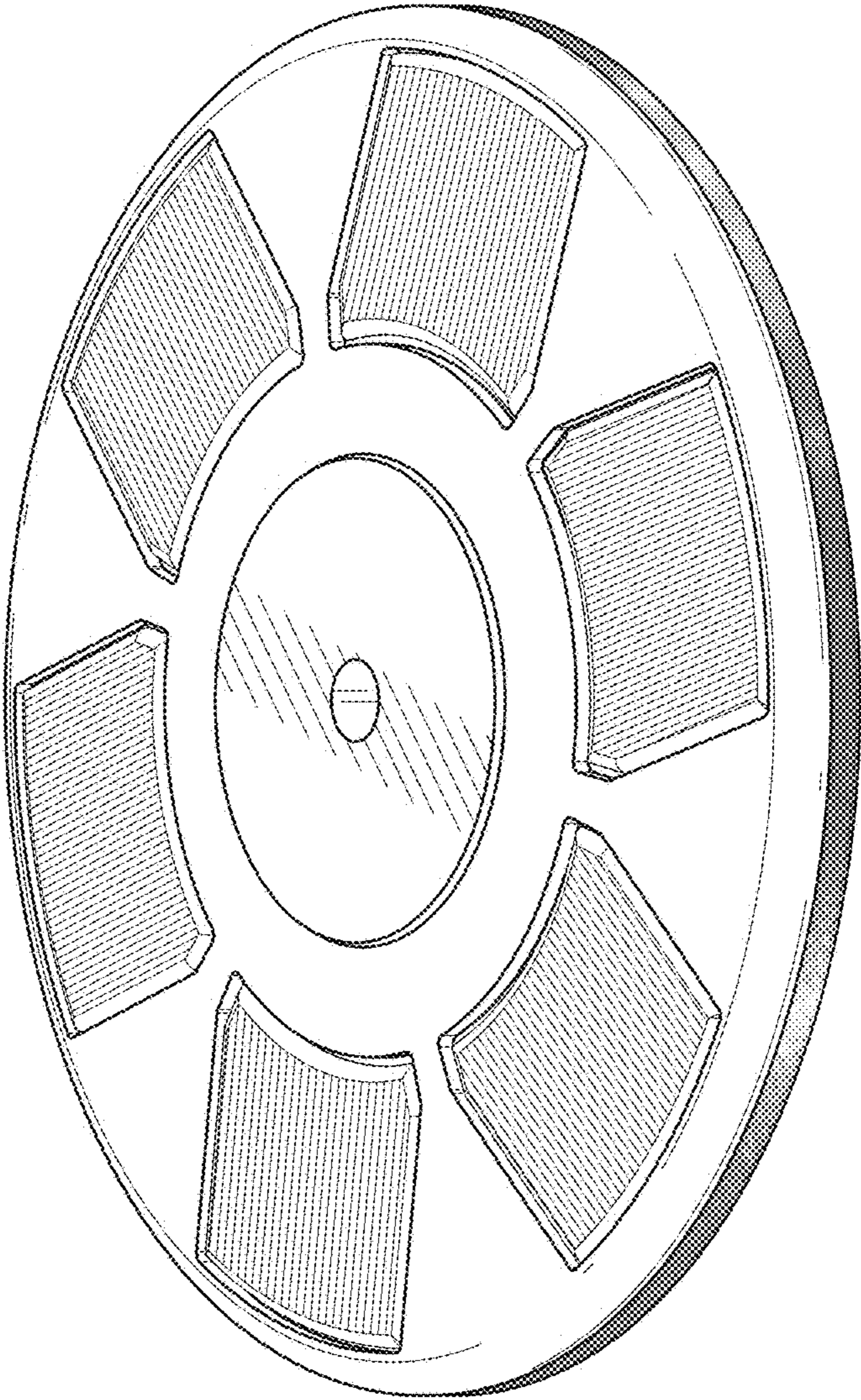


FIG. 2

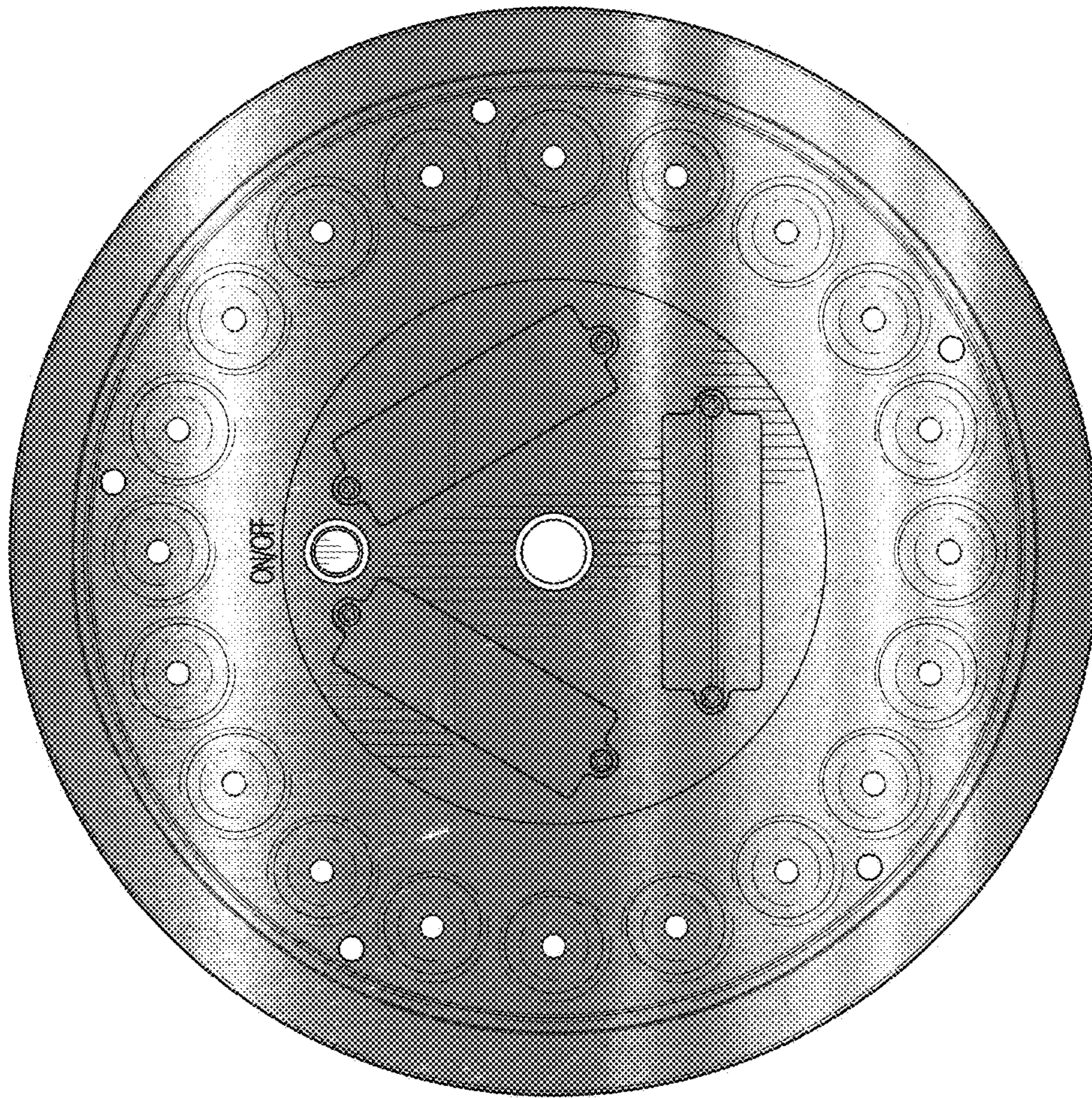


FIG. 3

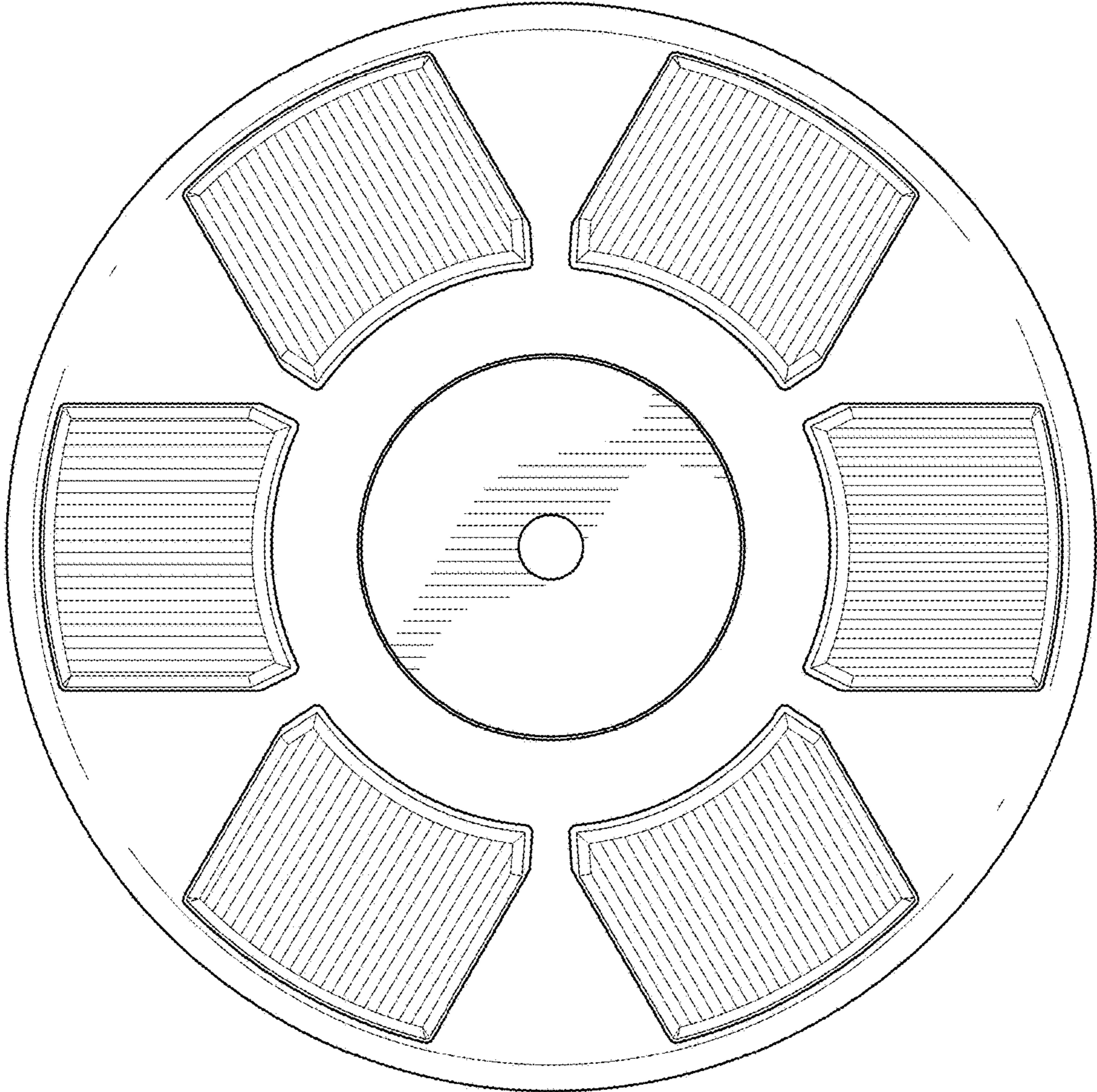


FIG. 4

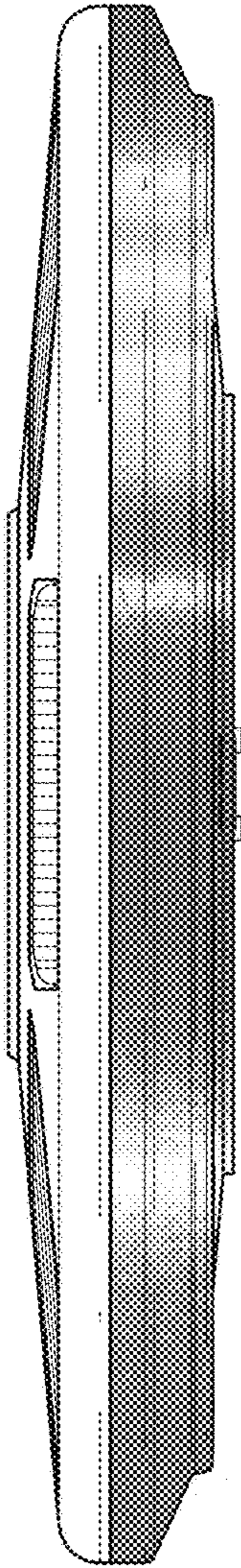


FIG. 5

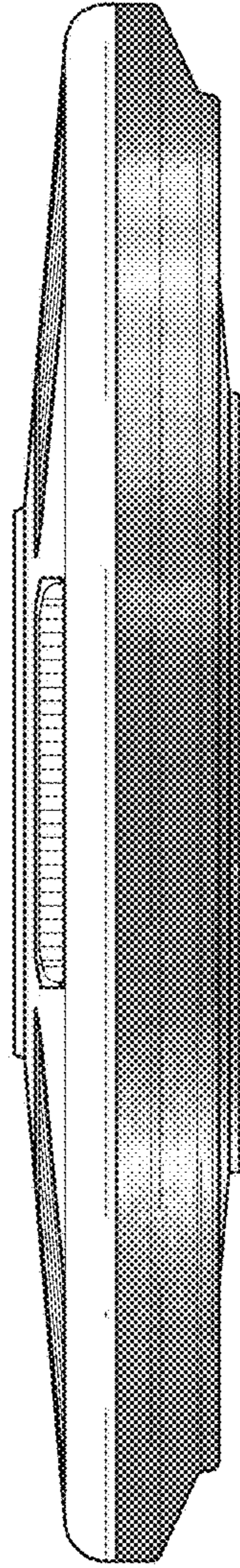


FIG. 6

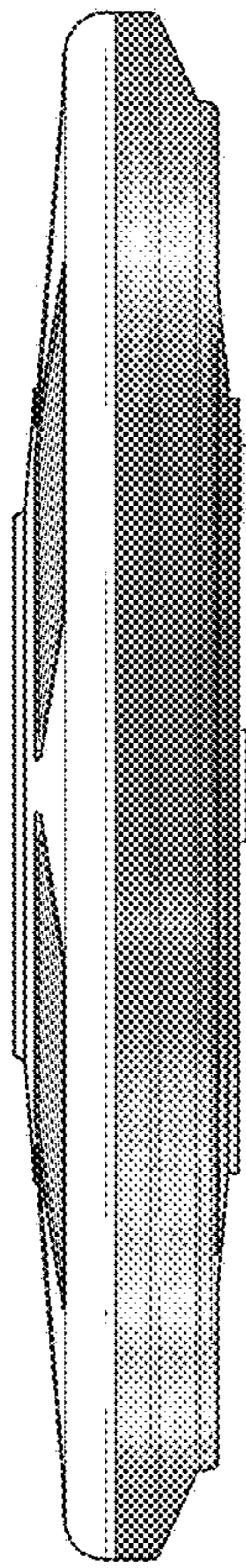


FIG. 7

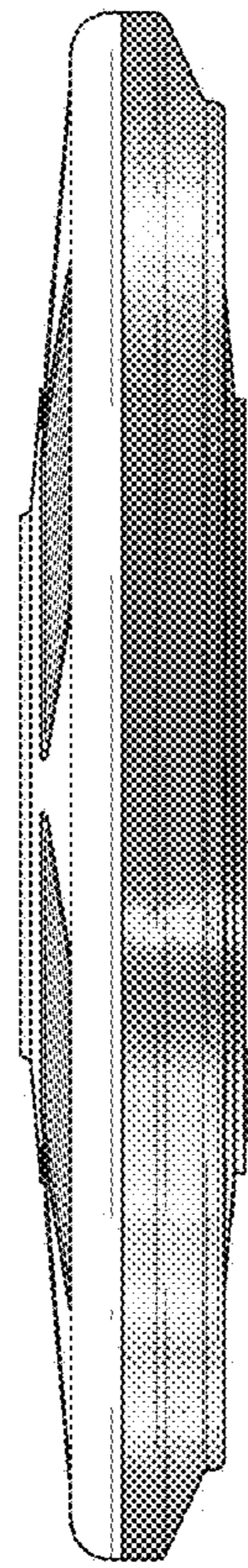


FIG. 8