



US00D800363S

(12) **United States Design Patent**  
**Terumichi**

(10) **Patent No.:** **US D800,363 S**

(45) **Date of Patent:** **\*\* Oct. 17, 2017**

(54) **SPOTLIGHT**

(71) Applicant: **ModuleX Inc.**, Tokyo (JP)

(72) Inventor: **Goro Terumichi**, Tokyo (JP)

(73) Assignee: **MODULEX INC.**, Tokyo (JP)

(\*\*) Term: **15 Years**

(21) Appl. No.: **29/543,367**

(22) Filed: **Oct. 23, 2015**

(30) **Foreign Application Priority Data**

Apr. 24, 2015 (JP) ..... 2015-009366

(51) **LOC (10) Cl.** ..... **26-03**

(52) **U.S. Cl.**  
USPC ..... **D26/63**

(58) **Field of Classification Search**  
USPC ..... D26/1, 24, 61, 63, 65, 85, 92  
CPC ..... F21V 21/14; F21V 15/01; F21V 14/02;  
F21V 21/30; F21V 21/00; F21V 14/00;  
F21S 8/00; F21S 8/003; F21S 8/043;  
F21Y 2105/001

See application file for complete search history.

(56) **References Cited**

U.S. PATENT DOCUMENTS

D566,873 S *	4/2008	Grundl .....	D26/63
D703,853 S *	4/2014	Jones .....	D26/63
D703,854 S *	4/2014	Jones .....	D26/63
D751,746 S *	3/2016	Hoang .....	D26/63

\* cited by examiner

*Primary Examiner* — Brian N Vinson

(74) *Attorney, Agent, or Firm* — Browdy and Neimark, P.L.L.C.

(57) **CLAIM**

The ornamental design for a spotlight, as shown and described.

**DESCRIPTION**

FIG. 1 is a top front perspective view of a spotlight according to the present design;

FIG. 2 is a bottom front perspective view thereof;

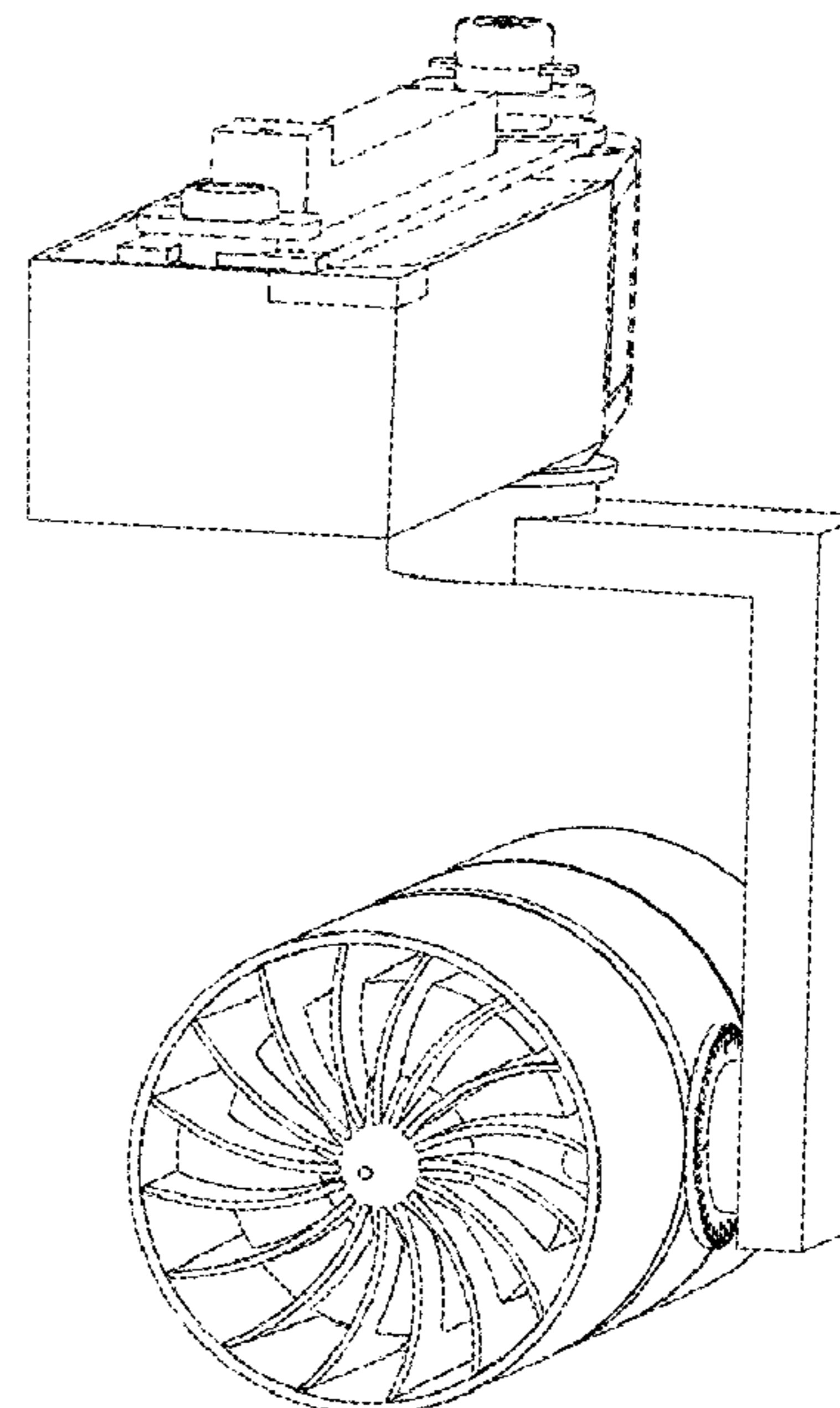
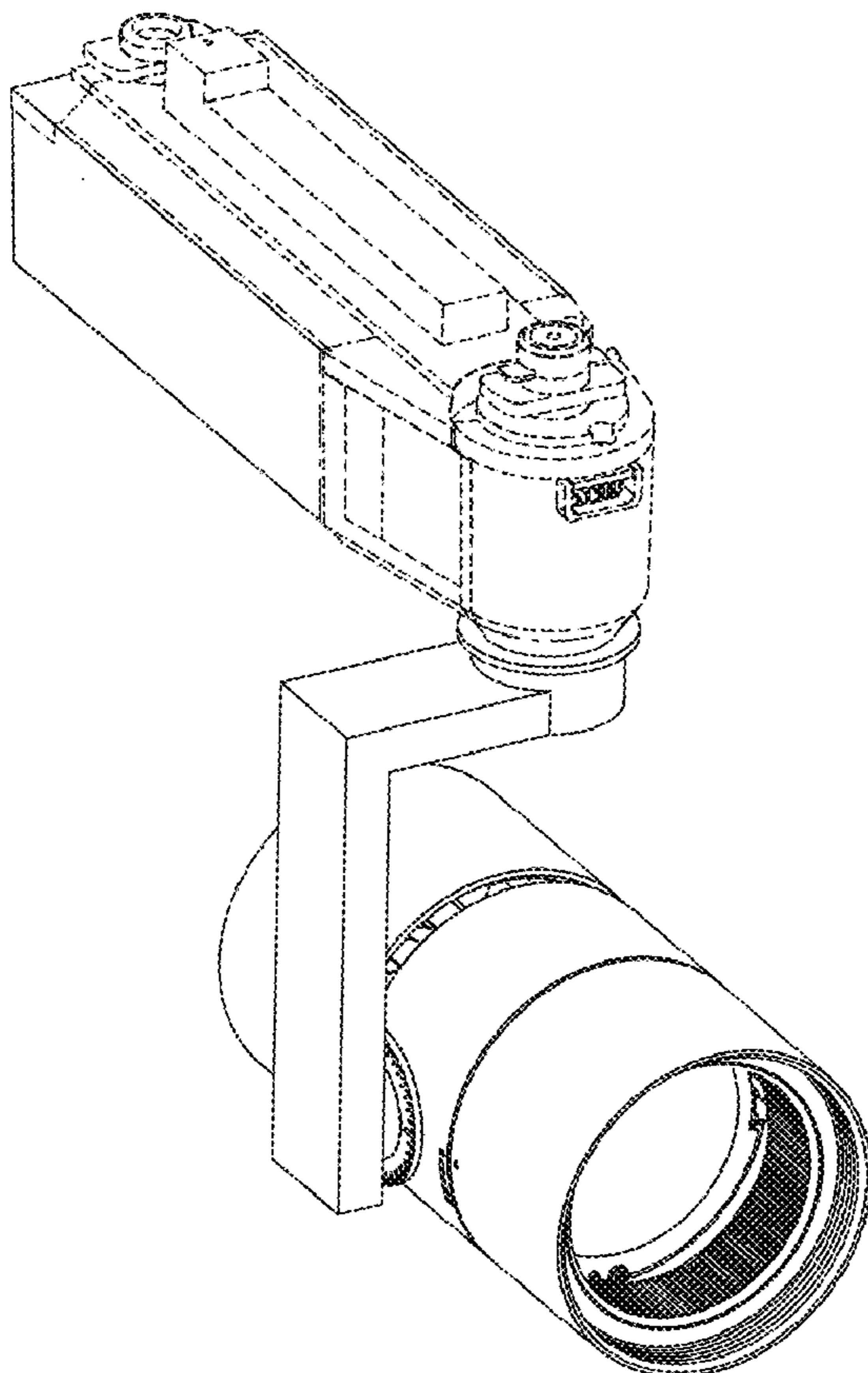
FIG. 3 is a front perspective view thereof;

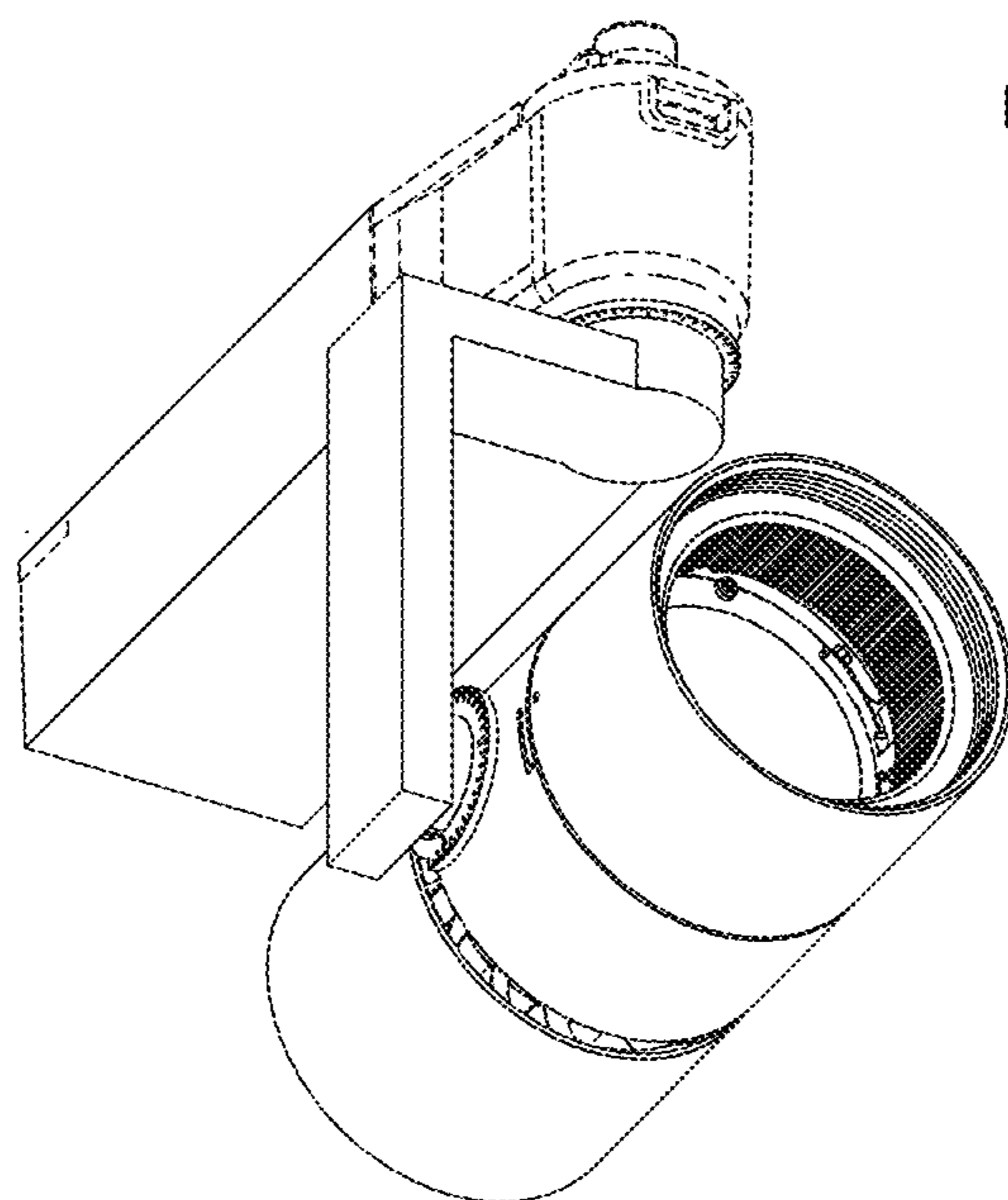
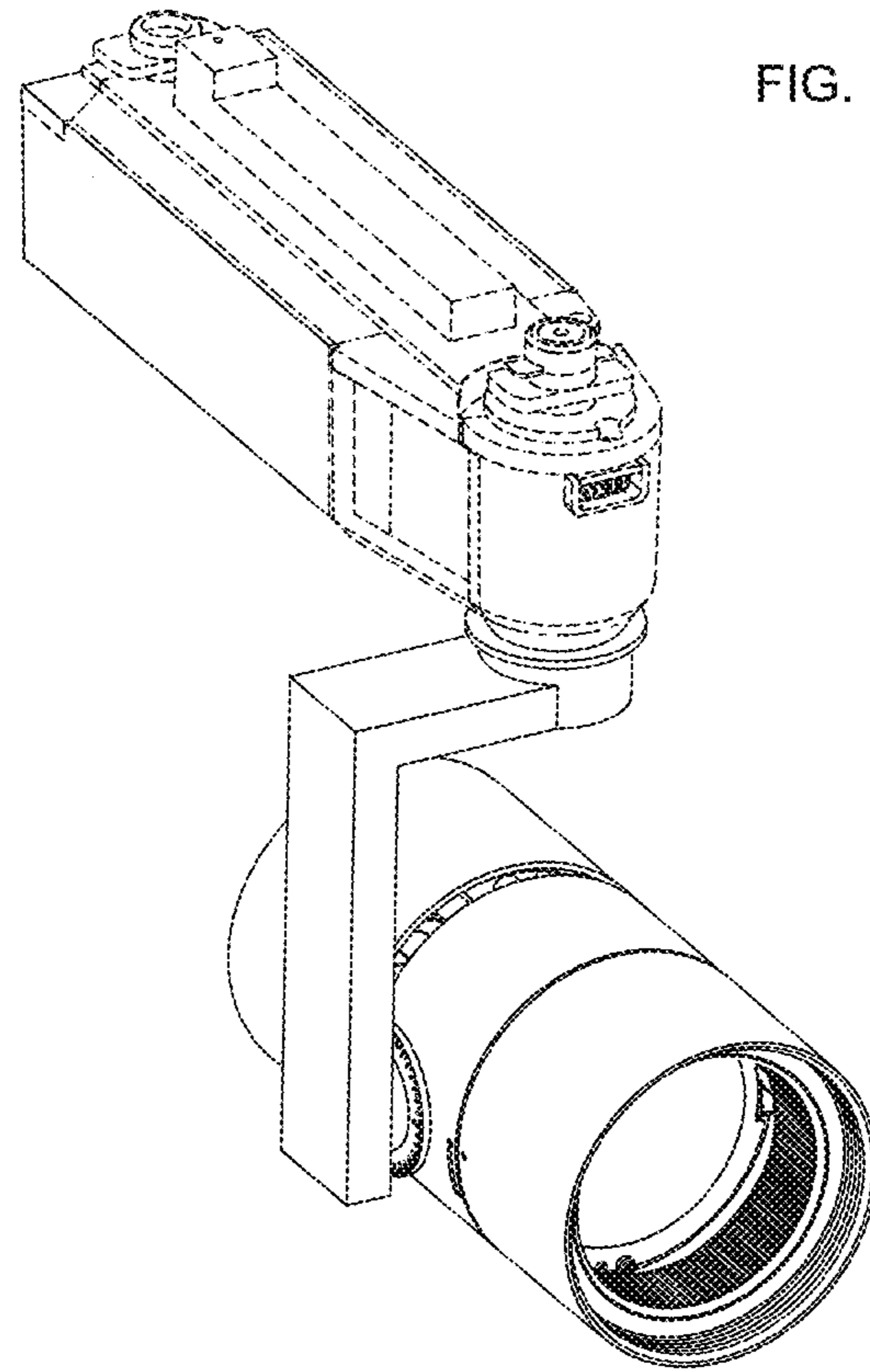
FIG. 4 is a rear perspective view thereof; and,

FIG. 5 is a cross-sectional view along the lines 5-5 shown in FIG. 3.

The portions shown in broken lines do not form part of the claimed design.

**1 Claim, 3 Drawing Sheets**





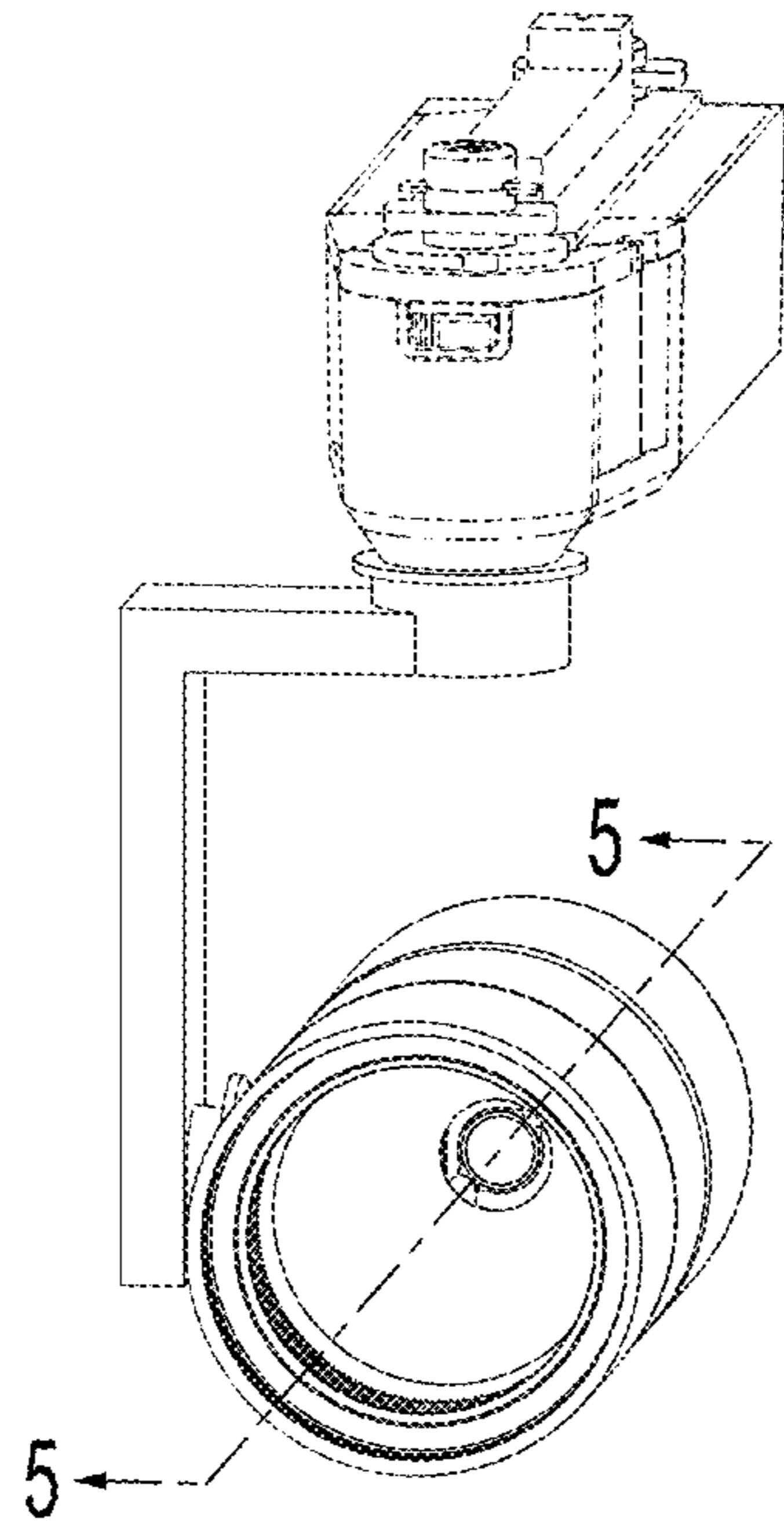


FIG. 3

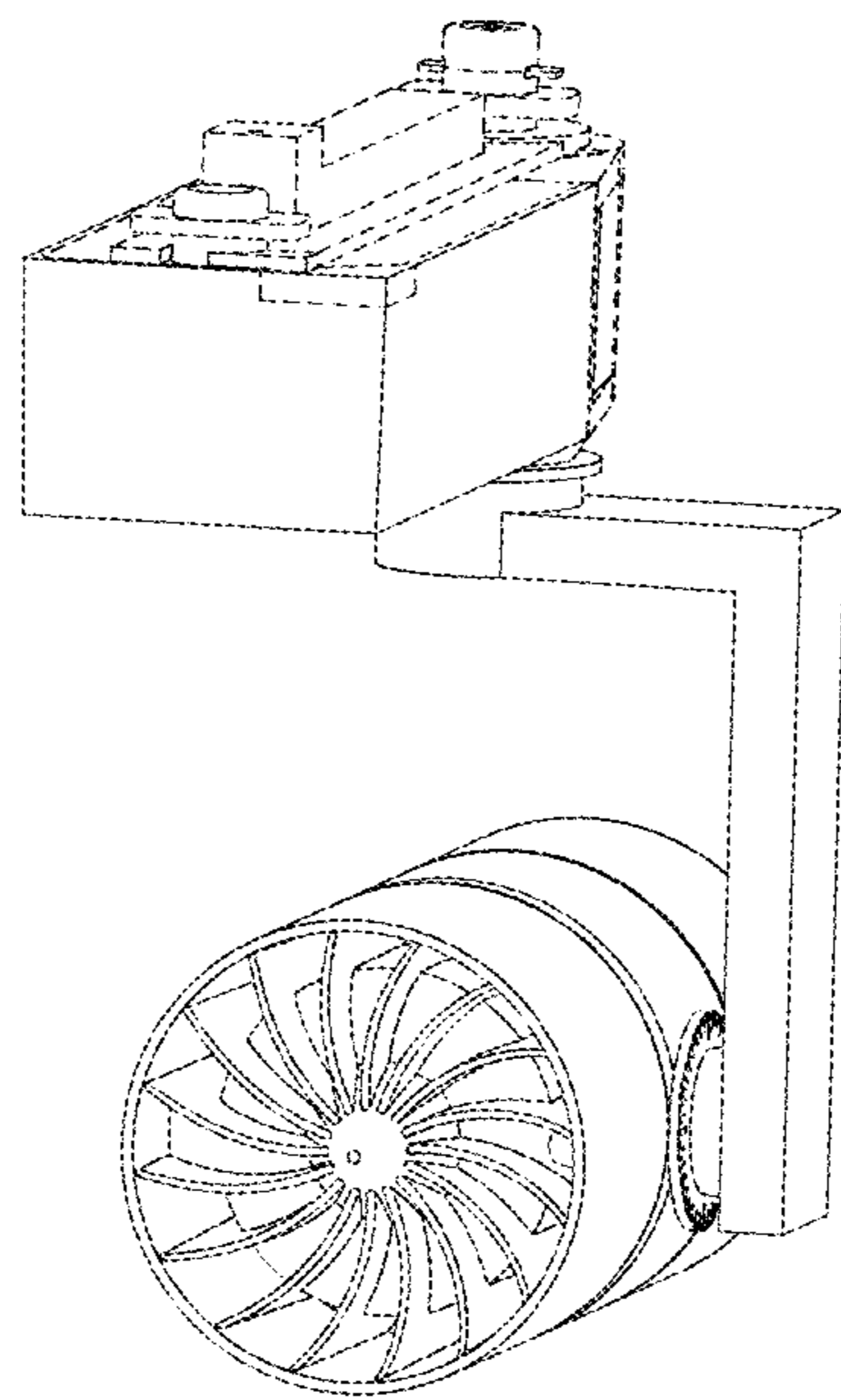


FIG. 4

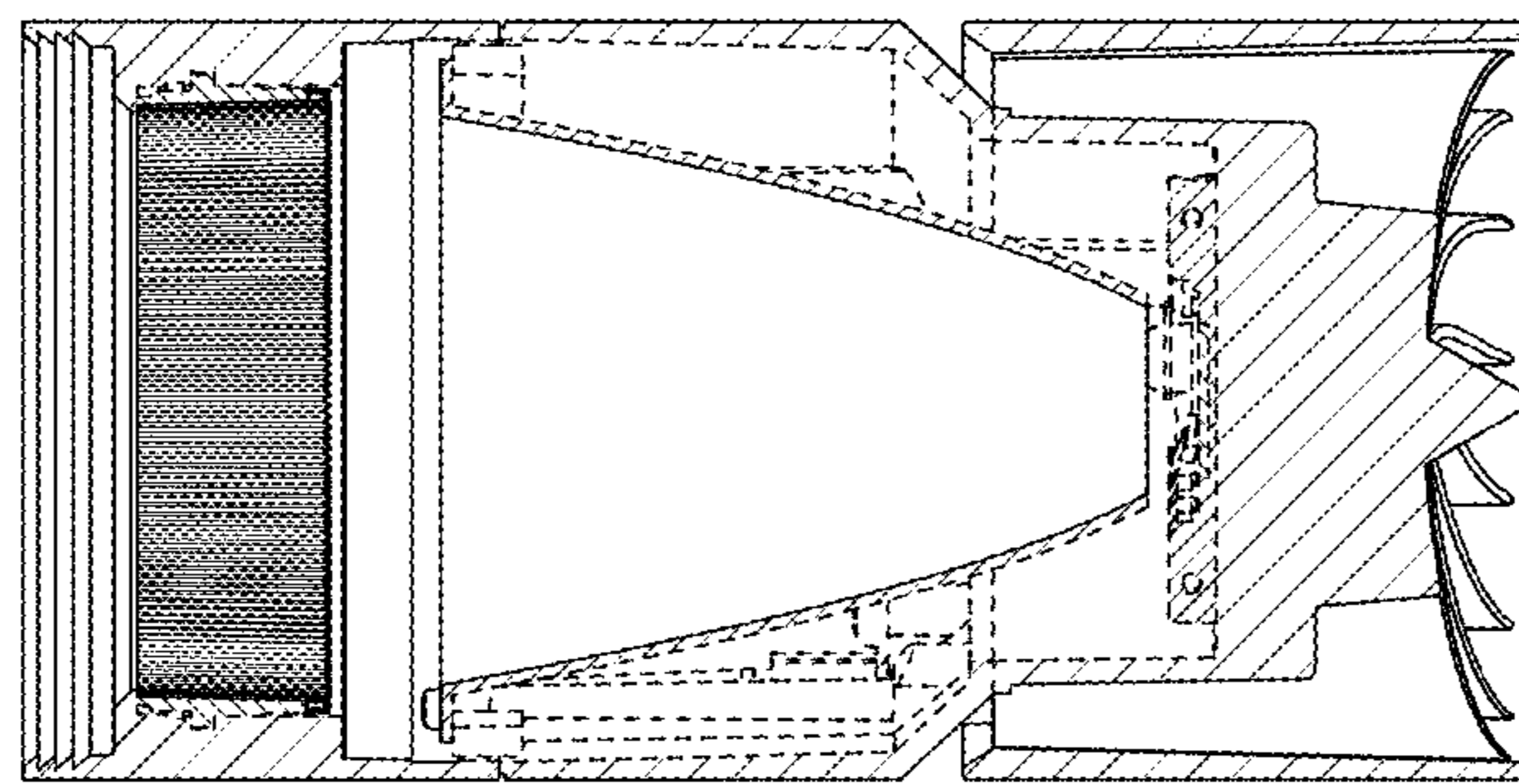


FIG. 5