



US00D800362S

(12) **United States Design Patent**  
**Galli**

(10) **Patent No.:** **US D800,362 S**

(45) **Date of Patent:** **\*\* Oct. 17, 2017**

(54) **PISTOL MOUNTED LIGHT**

(71) Applicant: **Emissive Energy Corp.**, North  
Kingstown, RI (US)

(72) Inventor: **Robert D. Galli**, North Kingstown, RI  
(US)

(73) Assignee: **EMISSIVE ENERGY CORP.**, North  
Kingstown, RI (US)

(\*\*) Term: **15 Years**

(21) Appl. No.: **29/578,652**

(22) Filed: **Sep. 23, 2016**

(51) **LOC (10) Cl.** ..... **26-03**

(52) **U.S. Cl.**  
USPC ..... **D26/60**

(58) **Field of Classification Search**  
USPC ..... D22/108, 109; D26/1, 24, 38, 37, 51, 60  
CPC ..... F41G 1/35; F41G 1/345  
See application file for complete search history.

(56) **References Cited**

U.S. PATENT DOCUMENTS

6,185,854 B1 \* 2/2001 Solinsky ..... F41G 1/35  
362/110  
6,571,503 B2 \* 6/2003 Thorpe ..... F41G 1/35  
42/114

D712,001 S \* 8/2014 Wells ..... D22/108  
D738,455 S \* 9/2015 Homem de Mello  
Anderson ..... D22/109  
9,435,522 B2 \* 9/2016 Galli ..... F21V 23/0414  
D781,983 S \* 3/2017 Wells ..... D22/108

FOREIGN PATENT DOCUMENTS

WO 2013173750 A1 11/2013

\* cited by examiner

*Primary Examiner* — Brian N Vinson

(74) *Attorney, Agent, or Firm* — Barlow, Josephs &  
Holmes, Ltd.

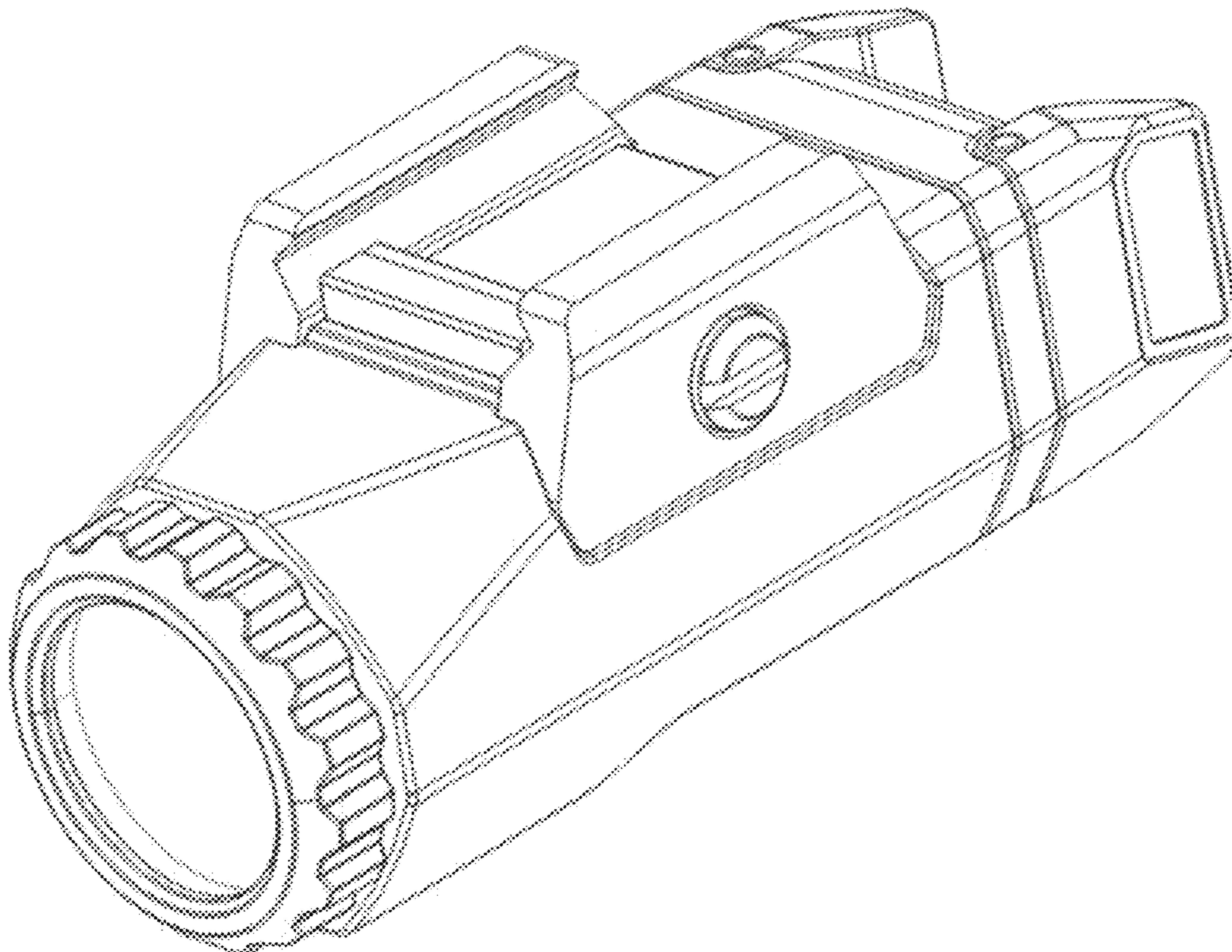
(57) **CLAIM**

The ornamental design for a pistol mounted light, as shown  
and described.

**DESCRIPTION**

FIG. 1 is a first perspective view of the pistol mounted light  
in accordance with the present design;  
FIG. 2 is another perspective view thereof;  
FIG. 3 is a bottom view thereof;  
FIG. 4 is a top view thereof;  
FIG. 5 is a left side view thereof;  
FIG. 6 is a right side view thereof;  
FIG. 7 is a front view thereof; and,  
FIG. 8 is a rear view thereof.

**1 Claim, 4 Drawing Sheets**



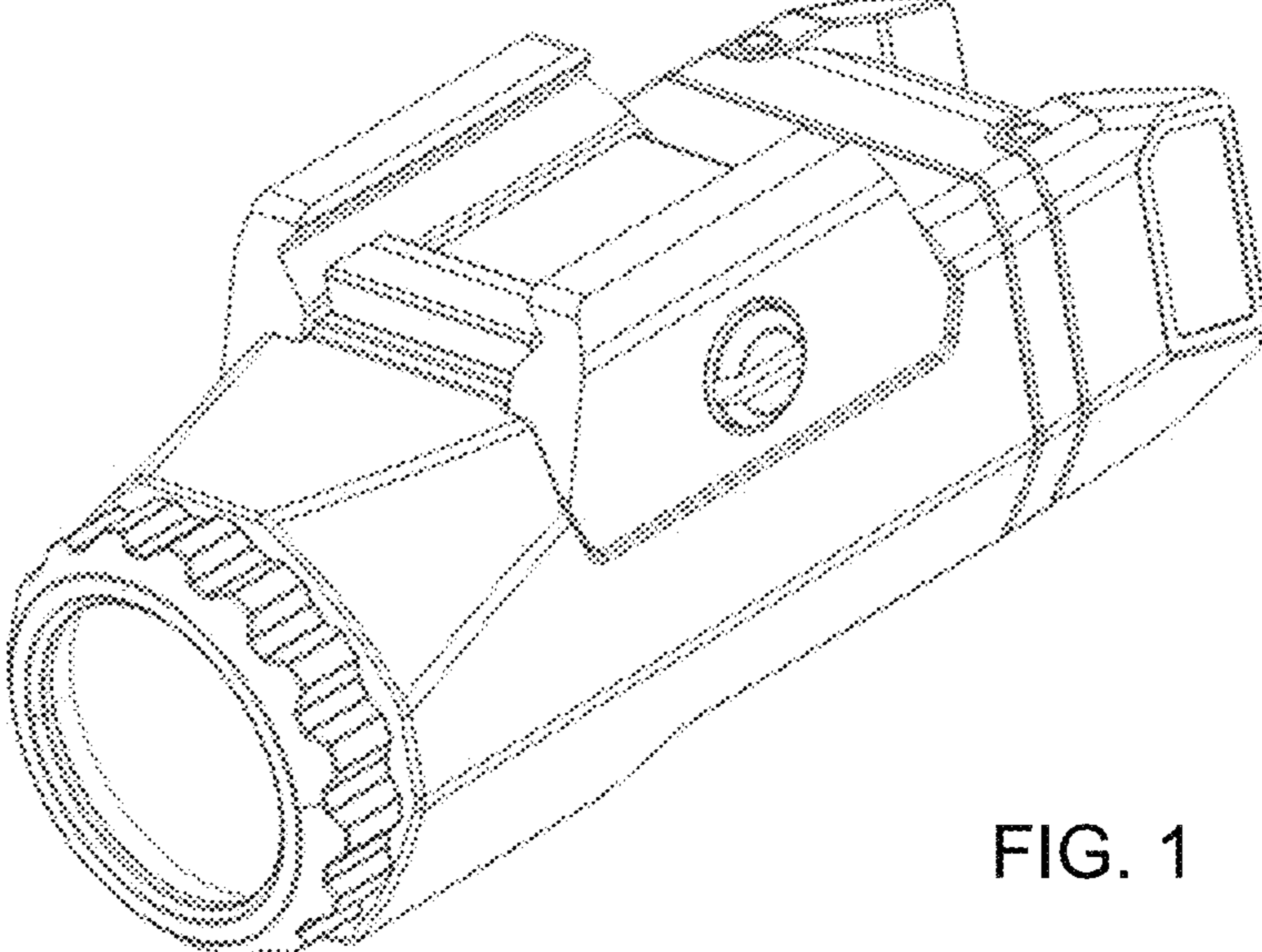


FIG. 1

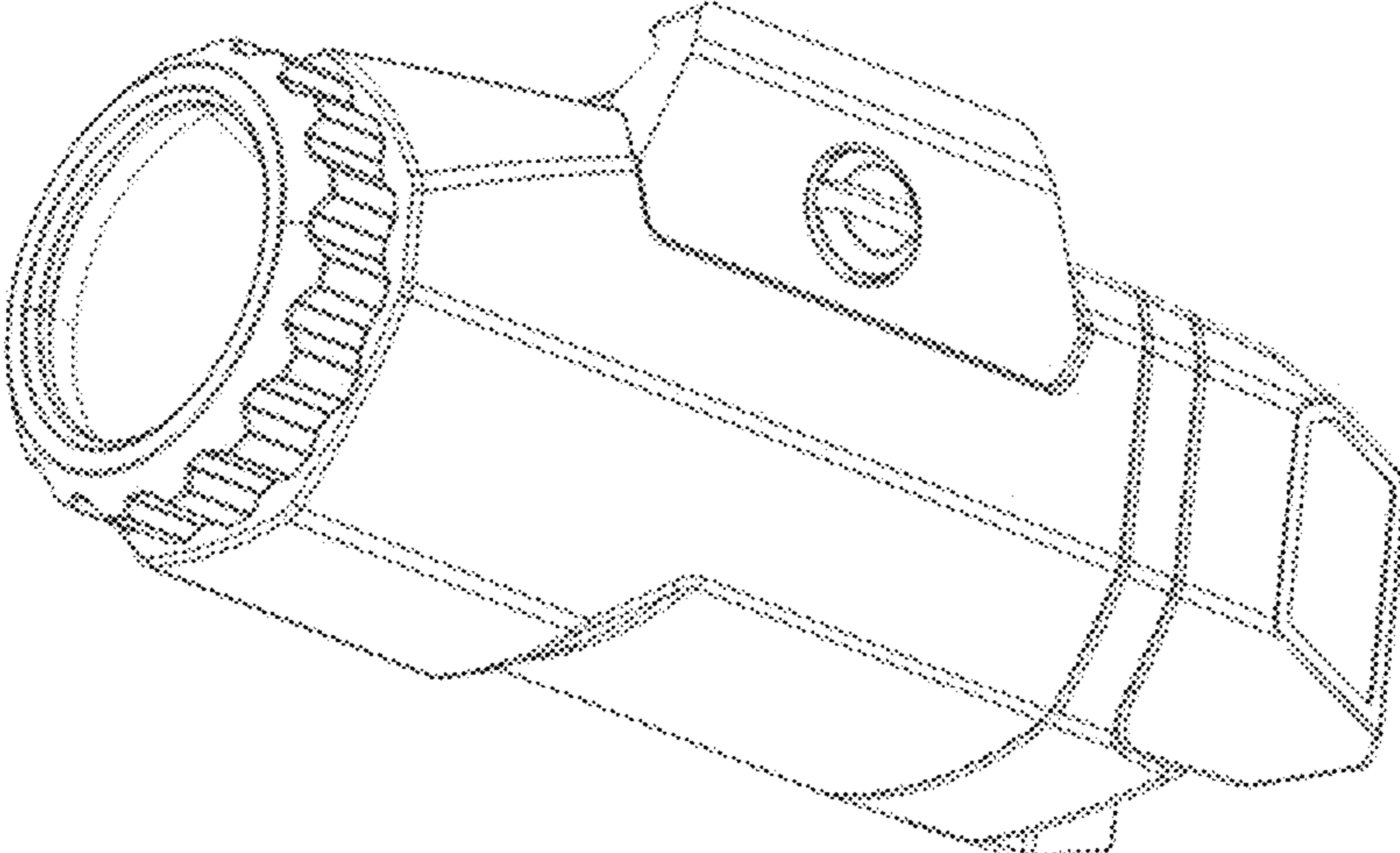


FIG. 2

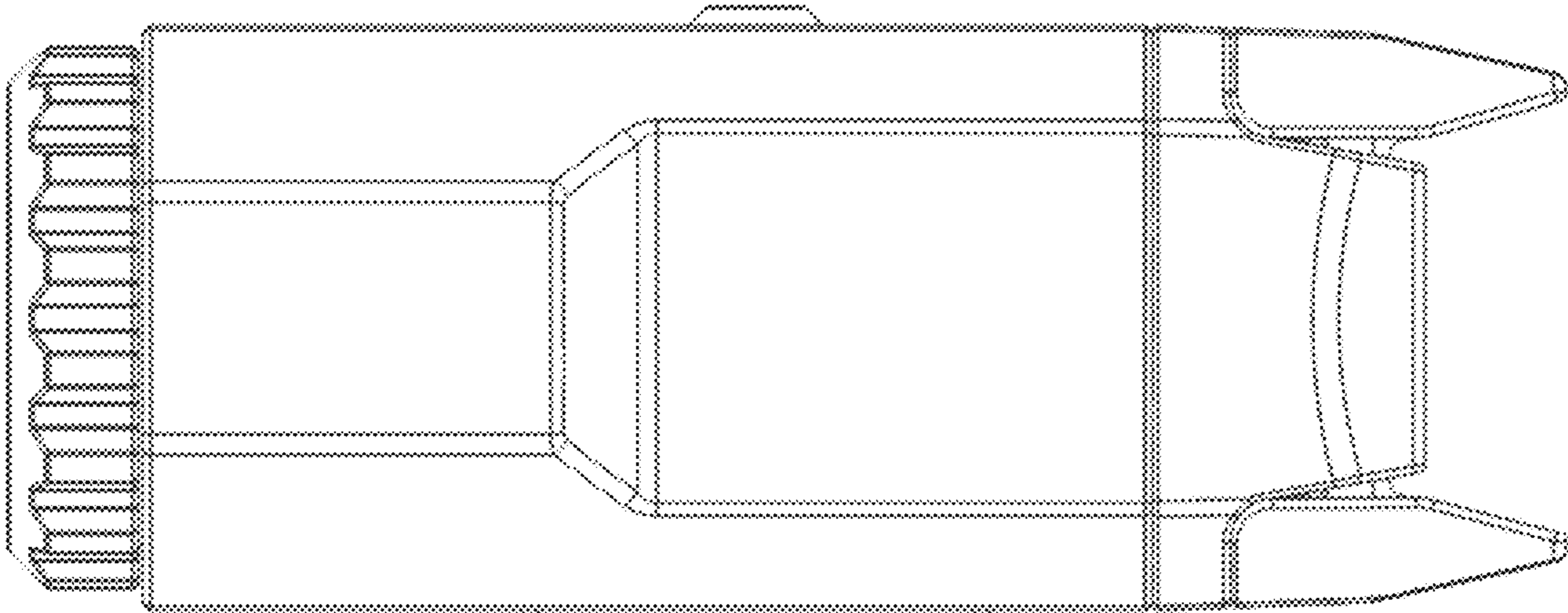


FIG. 3

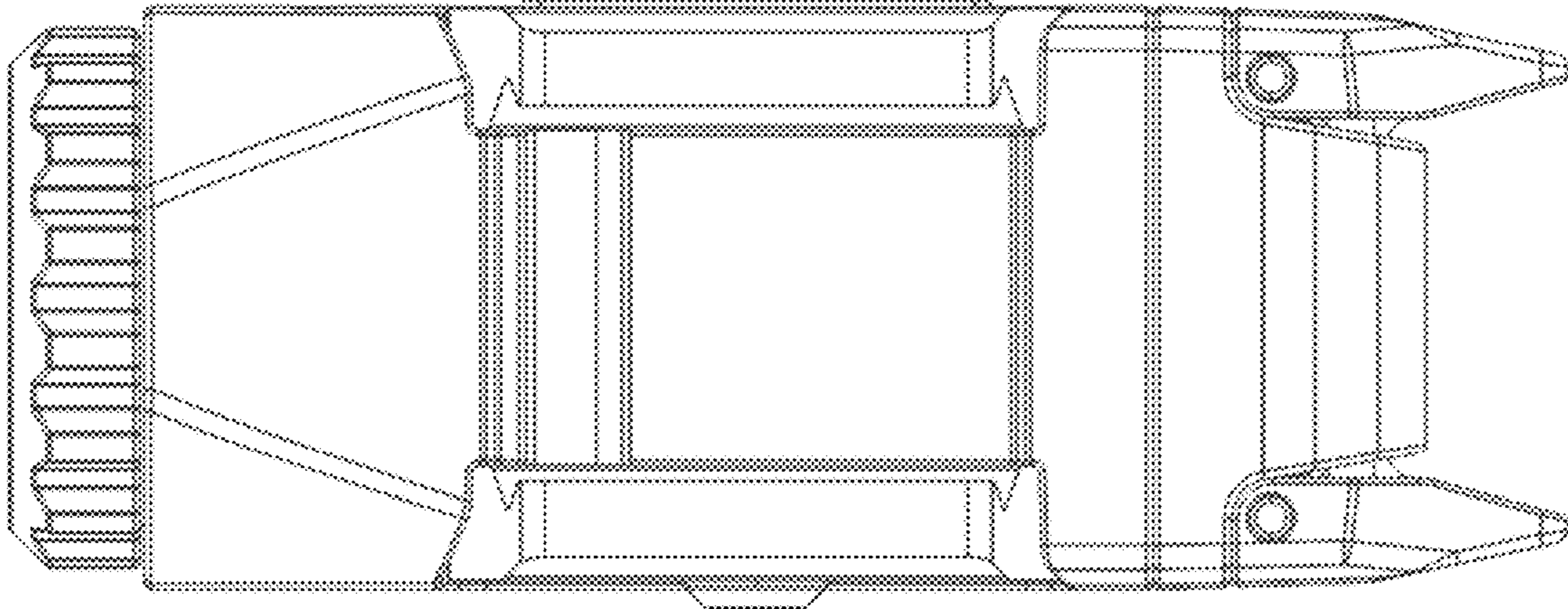


FIG. 4

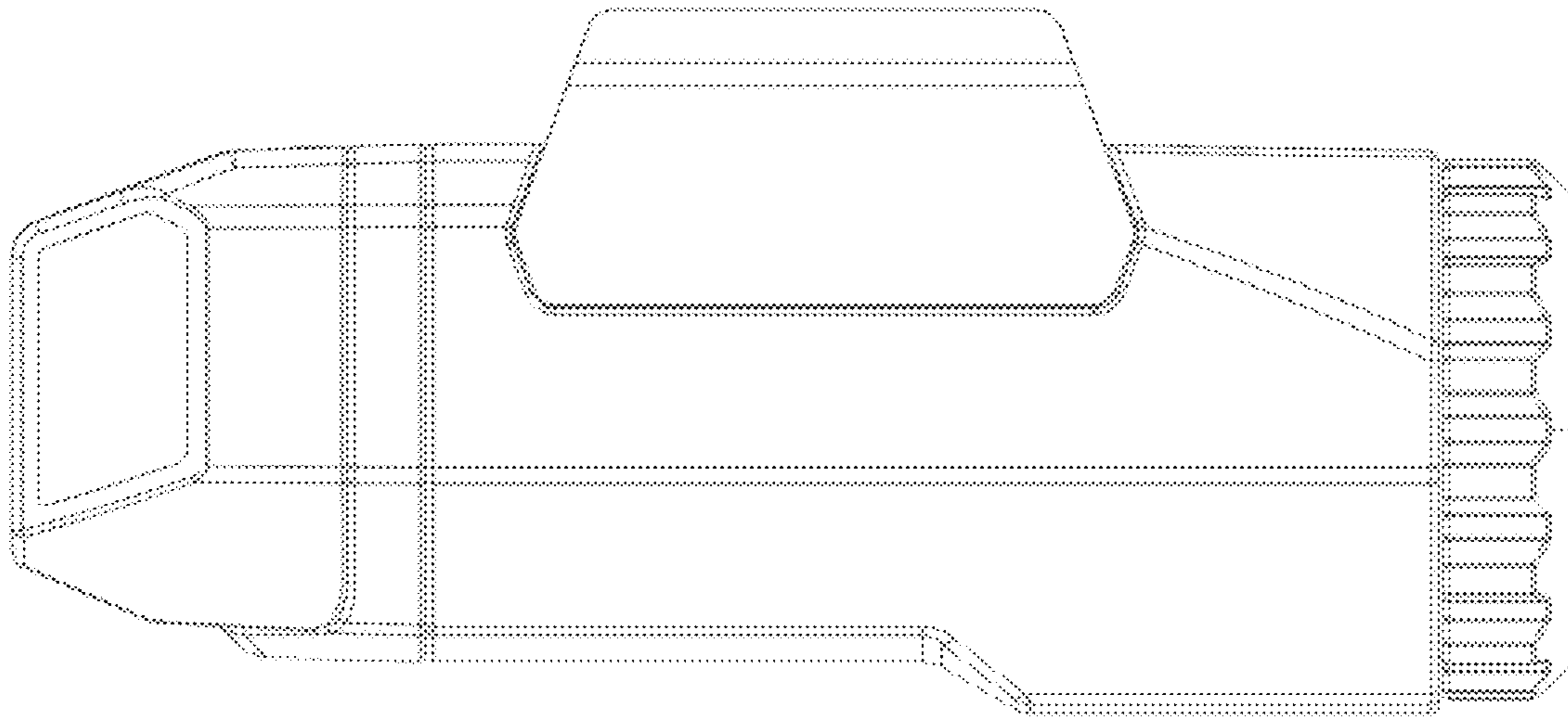


FIG. 5

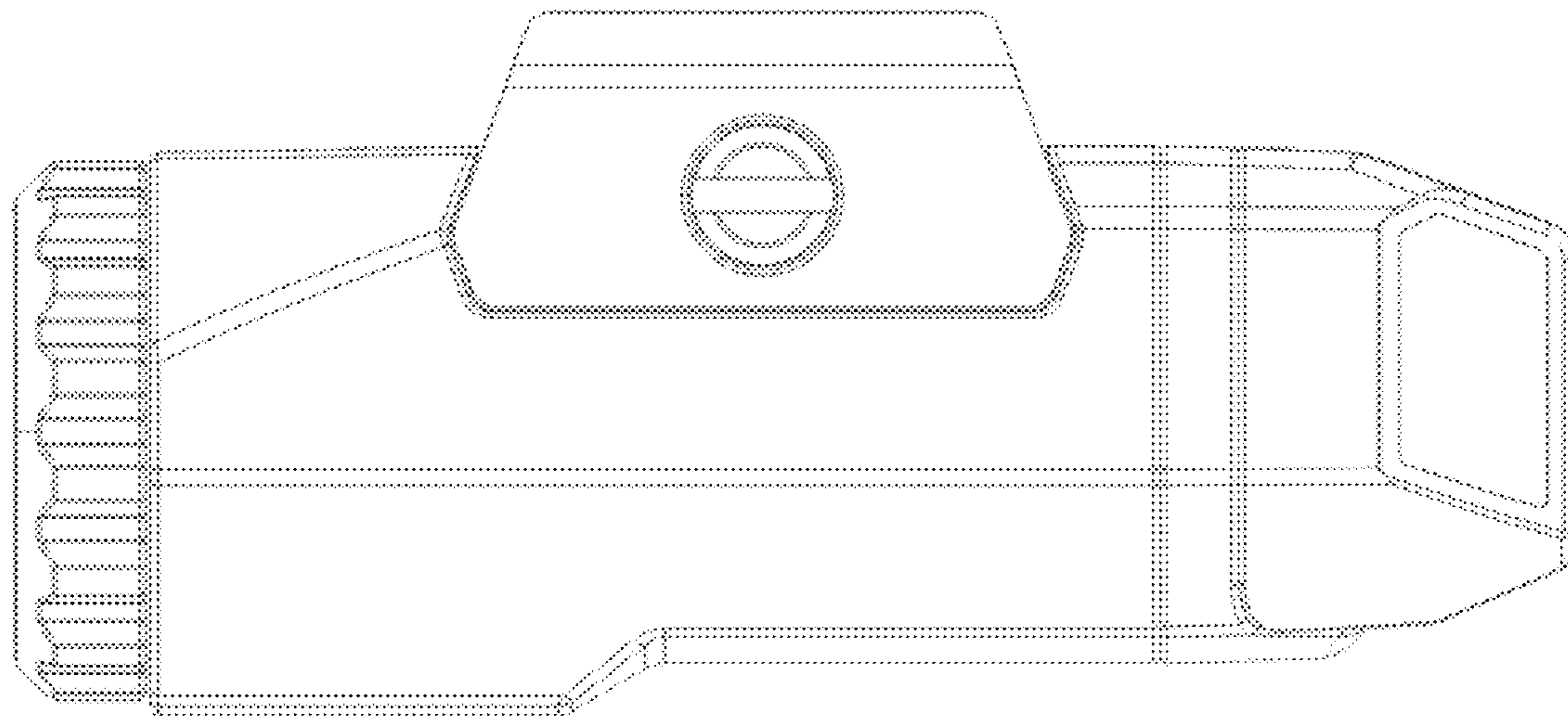


FIG. 6

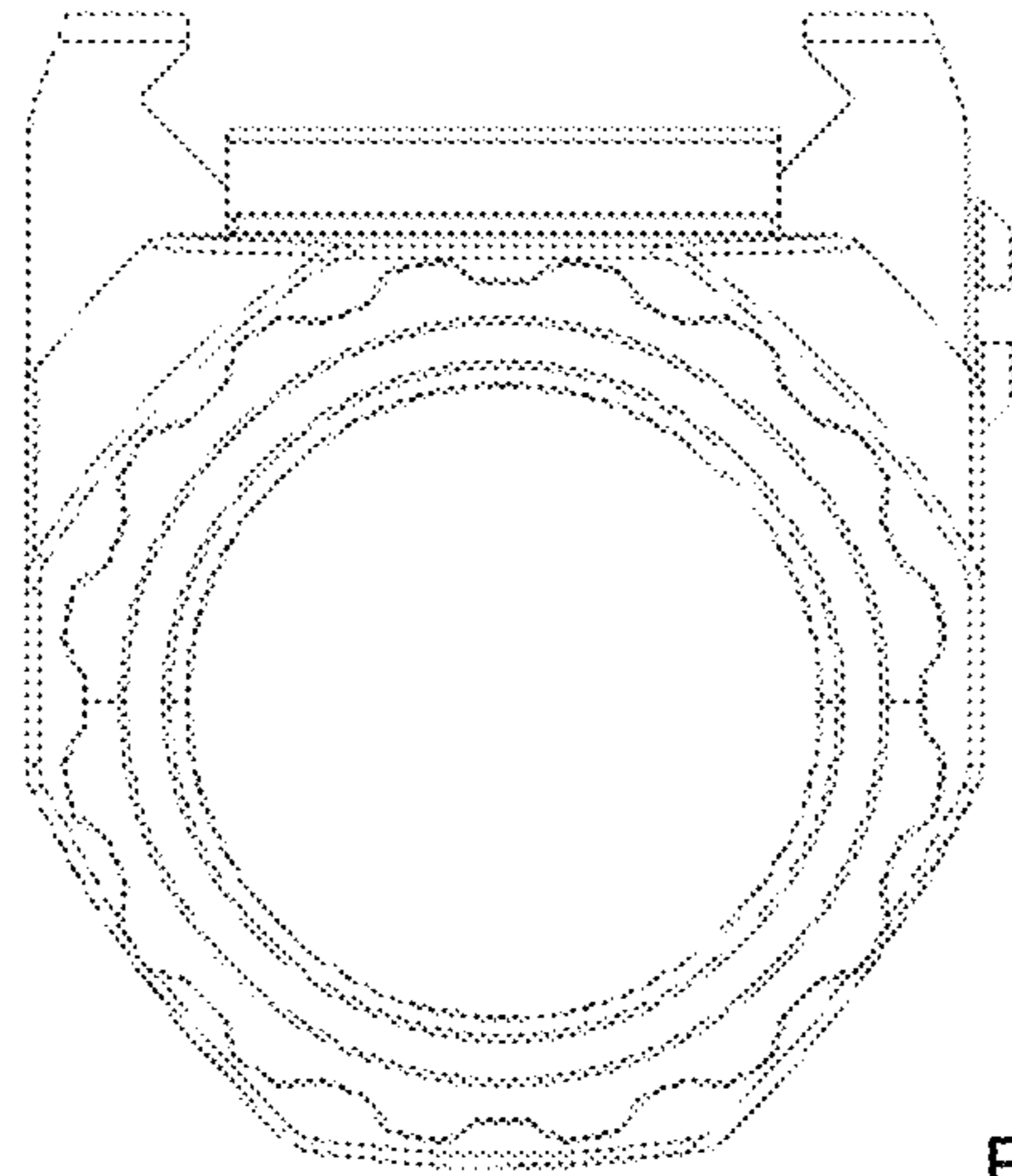


FIG. 7

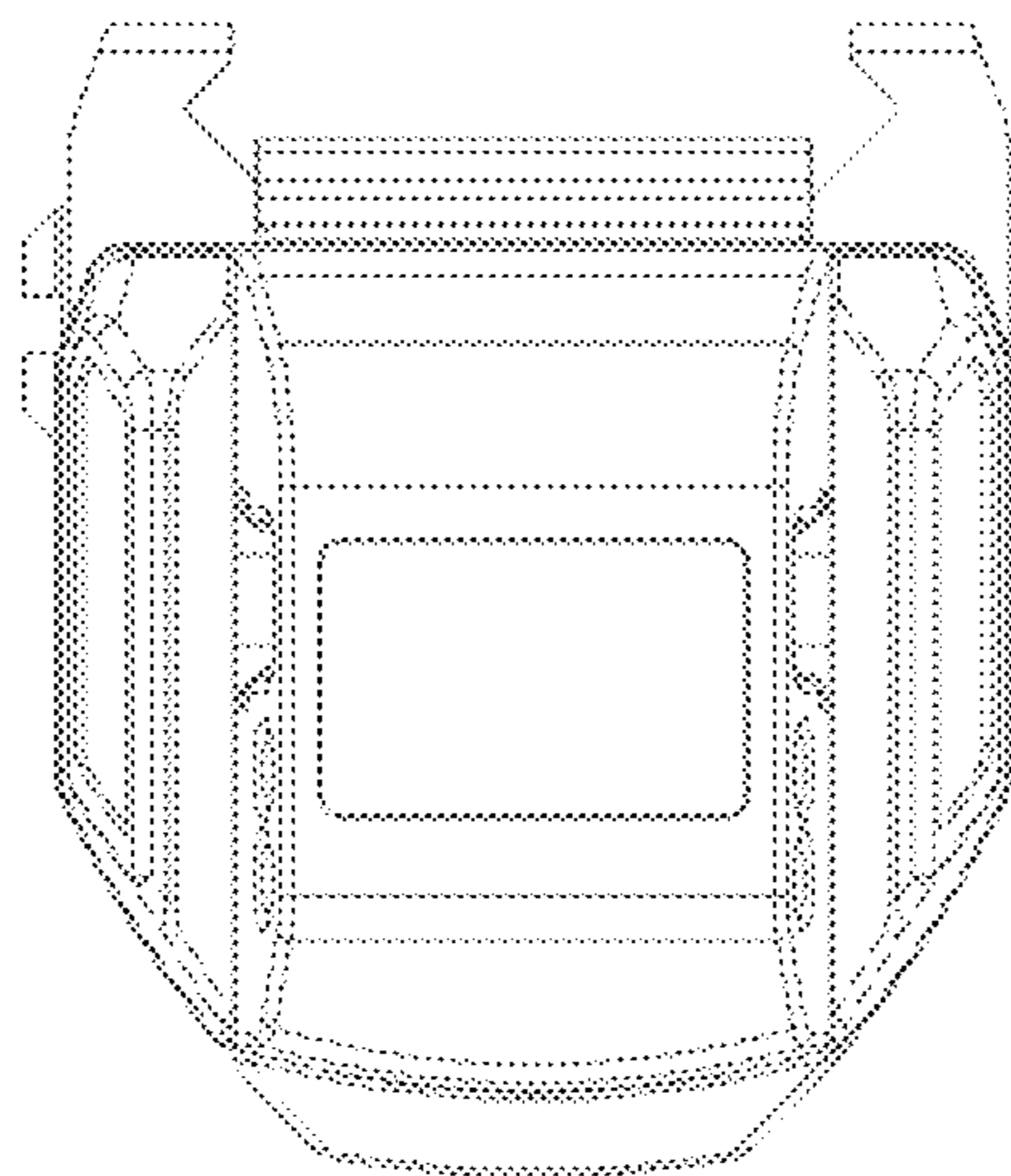


FIG. 8