

US00D800359S

(12) **United States Design Patent** (10) **Patent No.:** **US D800,359 S**  
**Jiang et al.** (45) **Date of Patent:** **\*\* Oct. 17, 2017**

(54) **LED TUBE LIGHT**

(71) Applicant: **JIAXING SUPER LIGHTING ELECTRIC APPLIANCE CO., LTD,** Jiaxing (CN)

(72) Inventors: **Tao Jiang,** Jiaxing (CN); **Chang Yang,** Jiaxing (CN)

(73) Assignee: **JIAXING SUPER LIGHTING ELECTRIC APPLIANCE CO., LTD,** Jiaxing (CN)

(\*\*) Term: **15 Years**

(21) Appl. No.: **29/579,794**

(22) Filed: **Oct. 4, 2016**

**Related U.S. Application Data**

(63) Continuation of application No. 29/522,414, filed on Mar. 31, 2015, now Pat. No. Des. 768,891.

(30) **Foreign Application Priority Data**

Dec. 12, 2014 (CN) ..... 2014 3 0521957

(51) **LOC (10) Cl.** ..... **26-04**

(52) **U.S. Cl.**  
USPC ..... **D26/3**

(58) **Field of Classification Search**  
USPC ..... D26/1-4; 313/313, 315, 316, 317, 493;  
315/52, 53, 56, 57, 58  
CPC ..... H01R 5/00; H01R 13/46; H01R 31/048;  
H01R 31/02; H01J 5/00; H01J 5/16;  
H01J 15/00; H01J 5/48; H01J 5/50; H01J  
19/54; F21V 5/00

See application file for complete search history.

(56) **References Cited**

U.S. PATENT DOCUMENTS

D477,093 S *	7/2003	Moriyama	.....	D26/3
D576,749 S *	9/2008	Kitagawa	.....	D26/3
D594,999 S *	6/2009	Uchida	.....	D26/3
D621,975 S *	8/2010	Wang	.....	D26/3

\* cited by examiner

*Primary Examiner* — Marcus Jackson

(74) *Attorney, Agent, or Firm* — Ding Yu Tan

(57) **CLAIM**

The ornamental design for a LED tube light, as shown and described above.

**DESCRIPTION**

FIG. 1 is a perspective view of a LED tube light showing my new design;

FIG. 2 is a top plan view thereof;

FIG. 3 is a bottom plan view thereof;

FIG. 4 is a left side elevational view thereof;

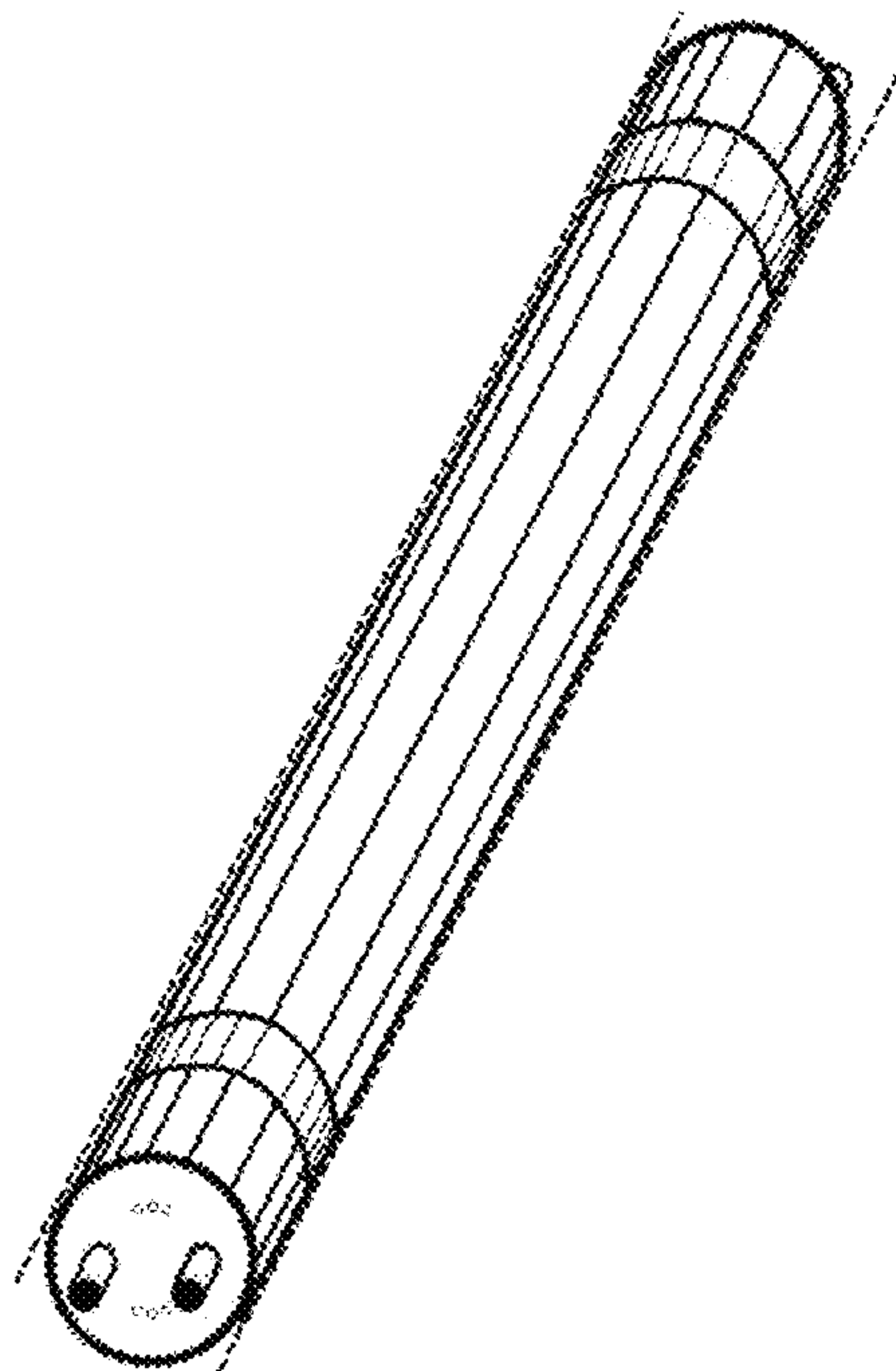
FIG. 5 is a right side elevational view thereof;

FIG. 6 is a front elevational view thereof; and,

FIG. 7 is a rear elevational view thereof.

The shade lines (straight solid lines) in the figures show surface contour and material composition, but not surface ornamentation. The broken lines are environmental and form no part of the claimed design, which include six circular structures shown in broken lines in FIGS. 1, 6, and 7.

**1 Claim, 6 Drawing Sheets**



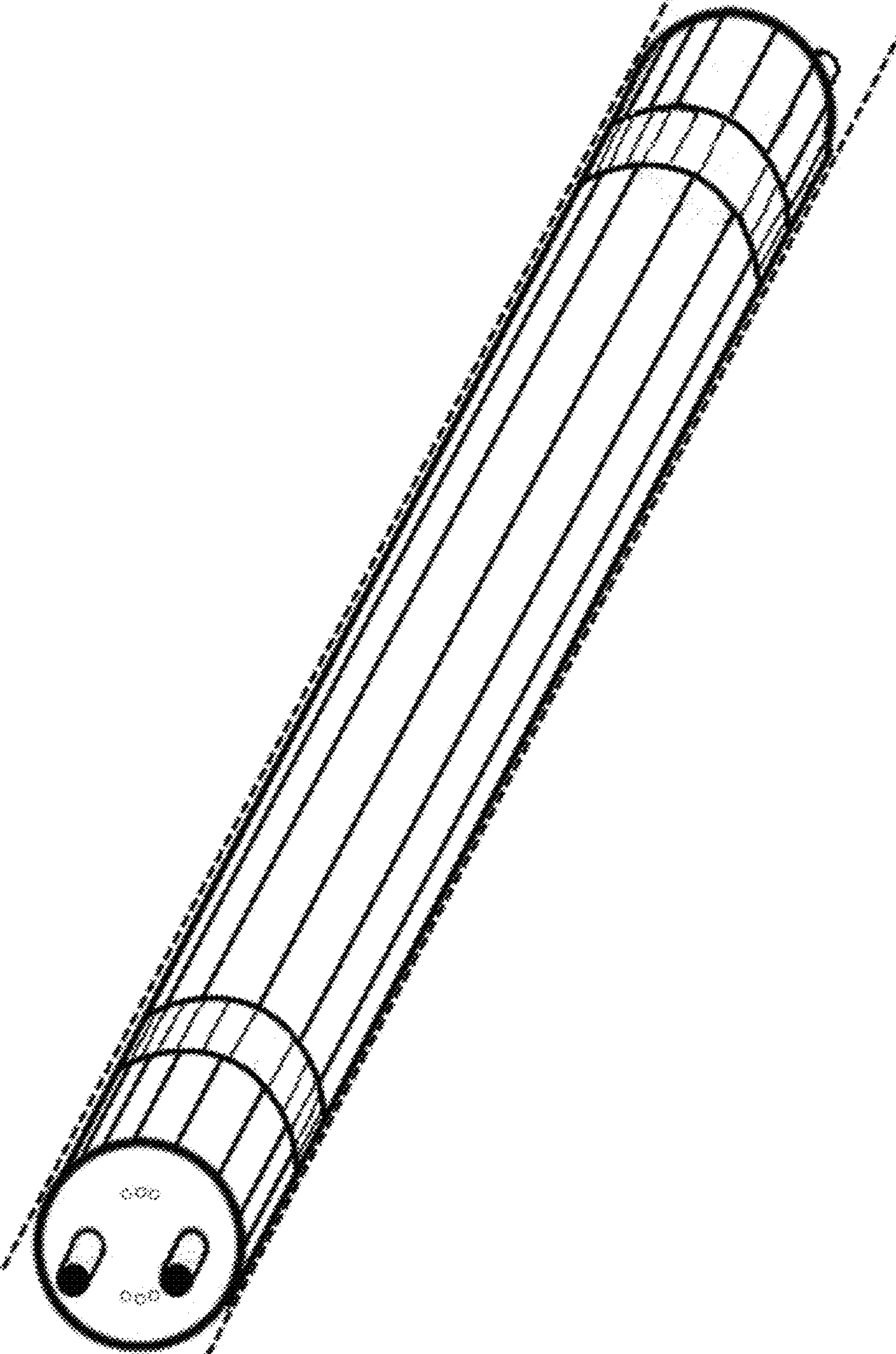


FIG. 1

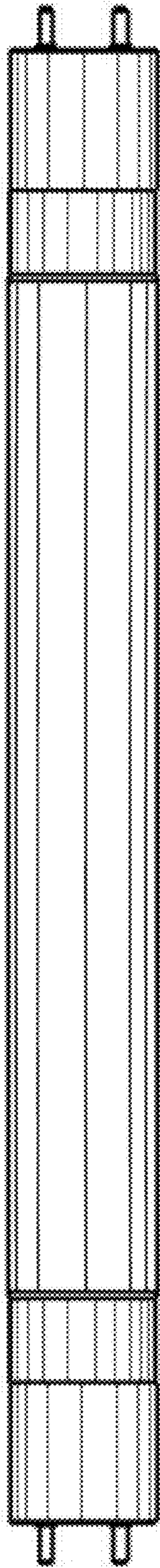


FIG. 2

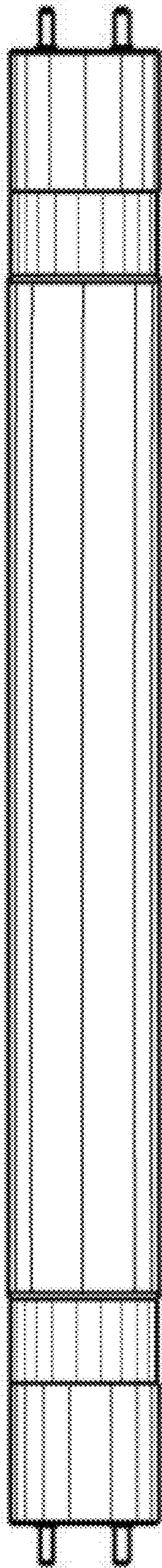


FIG. 3



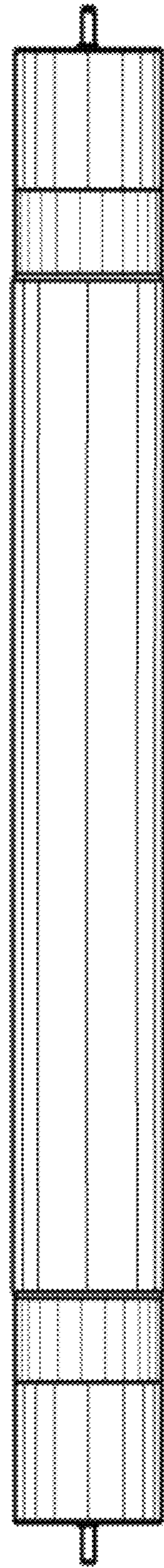


FIG. 4

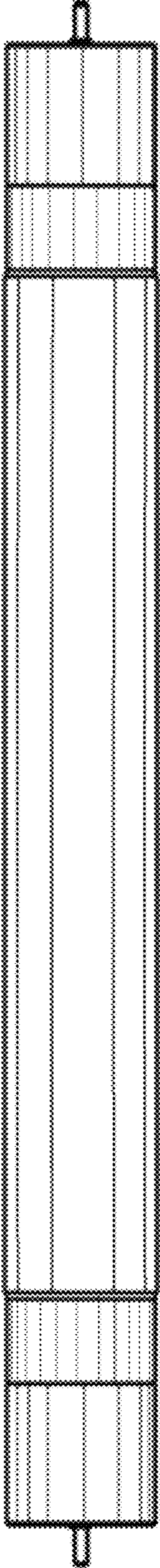


FIG. 5

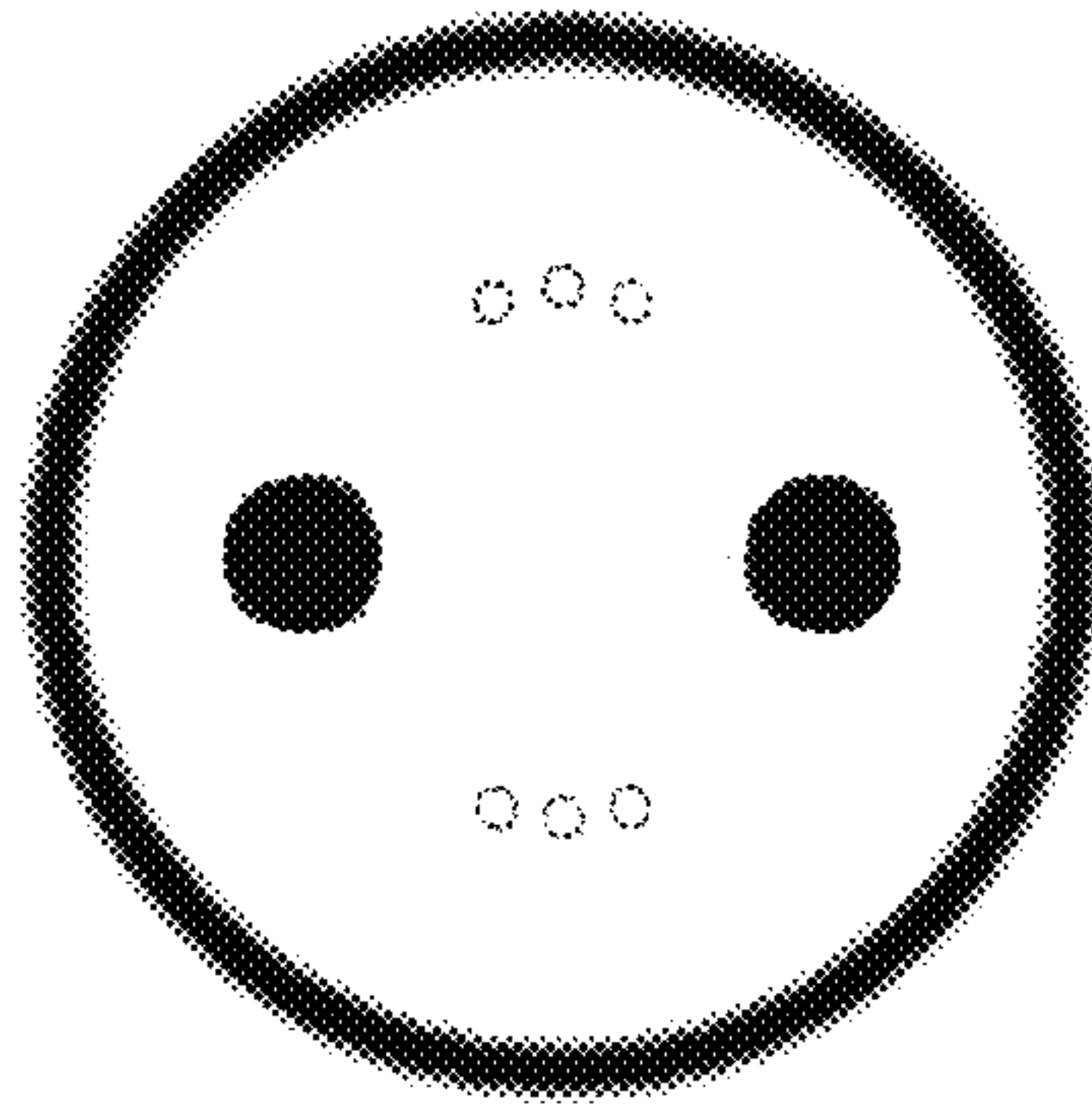


FIG. 6

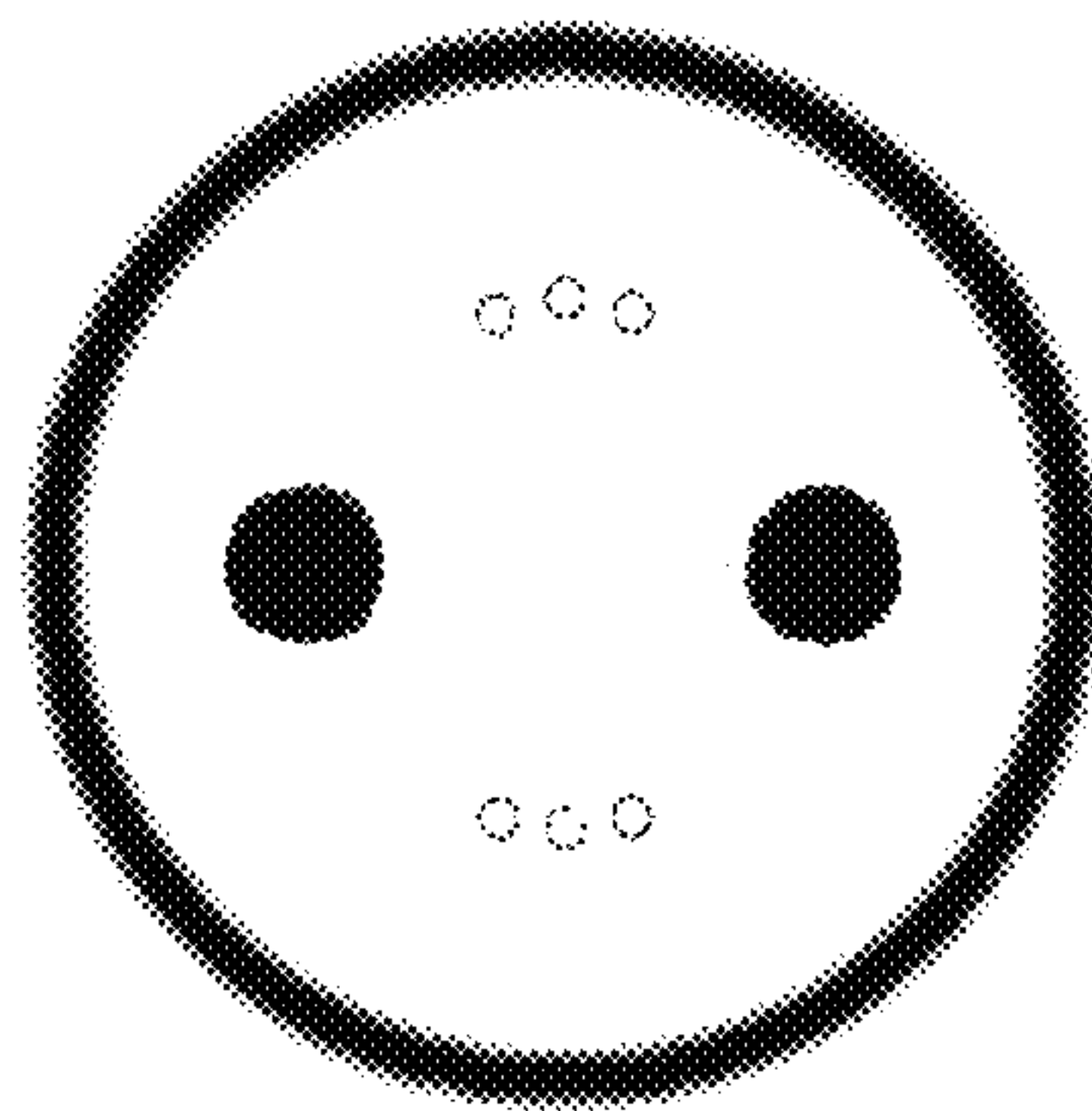


FIG. 7