



US00D800357S

(12) **United States Design Patent** (10) **Patent No.:** **US D800,357 S**
Pan (45) **Date of Patent:** **** Oct. 17, 2017**

(54) **LED LAMP**

(71) Applicant: **SHENZHEN SNC OPTO ELECTRONIC CO., LTD.**, Shenzhen (CN)

(72) Inventor: **Nianhua Pan**, Shenzhen (CN)

(73) Assignee: **SHENZHEN SNC OPTO ELECTRONIC CO., LTD.**, Shenzhen (CN)

(**) Term: **15 Years**

(21) Appl. No.: **29/605,586**

(22) Filed: **May 26, 2017**

(30) **Foreign Application Priority Data**

Feb. 15, 2017 (CN) 2017 3 0039735

(51) **LOC (10) Cl.** **26-04**

(52) **U.S. Cl.**
USPC **D26/2**

(58) **Field of Classification Search**
USPC D26/1-4; 313/313, 314, 315, 316, 317, 313/318, 493; 315/52, 53, 56, 57, 58
(Continued)

(56) **References Cited**

U.S. PATENT DOCUMENTS

D553,266 S * 10/2007 Maxik D26/2
D566,300 S * 4/2008 Lo D26/2

(Continued)

Primary Examiner — Marcus Jackson

(57) **CLAIM**

The ornamental design for a LED lamp, as shown and described.

DESCRIPTION

FIG. 1 is a perspective view of the LED lamp in accordance with a first embodiment showing my new design;

FIG. 2 is similar to FIG. 1, viewed from another aspect;
FIG. 3 is a front elevational view thereof;
FIG. 4 is a rear elevational view thereof;
FIG. 5 is a left side elevational view thereof;
FIG. 6 is a right side elevational view thereof;
FIG. 7 is a top plan view thereof;
FIG. 8 is a bottom plan view thereof;
FIG. 9 is a perspective view of the LED lamp in accordance with a second embodiment;
FIG. 10 is similar to FIG. 9, viewed from another aspect;
FIG. 11 is a front elevational view thereof;
FIG. 12 is a rear elevational view thereof;
FIG. 13 is a left side elevational view thereof;
FIG. 14 is a right side elevational view thereof;
FIG. 15 is a top plan view thereof;
FIG. 16 is a bottom plan view thereof;
FIG. 17 is a perspective view of the LED lamp in accordance with a third embodiment;
FIG. 18 is similar to FIG. 17, viewed from another aspect;
FIG. 19 is a front elevational view thereof;
FIG. 20 is a rear elevational view thereof;
FIG. 21 is a left side elevational view thereof;
FIG. 22 is a right side elevational view thereof;
FIG. 23 is a top plan view thereof;
FIG. 24 is a bottom plan view thereof;
FIG. 25 is a perspective view of the LED lamp in accordance with a fourth embodiment;
FIG. 26 is similar to FIG. 25, viewed from another aspect;
FIG. 27 is a front elevational view thereof;
FIG. 28 is a rear elevational view thereof;
FIG. 29 is a left side elevational view thereof;
FIG. 30 is a right side elevational view thereof;
FIG. 31 is a top plan view thereof; and
FIG. 32 is a bottom plan view thereof.
FIG. 33 is a perspective view of the LED lamp in accordance with a fifth embodiment;
FIG. 34 is similar to FIG. 33, viewed from another aspect;
FIG. 35 is a front elevational view thereof;
FIG. 36 is a rear elevational view thereof;
FIG. 37 is a left side elevational view thereof;
FIG. 38 is a right side elevational view thereof;
FIG. 39 is a top plan view thereof; and
FIG. 40 is a bottom plan view thereof.

(Continued)

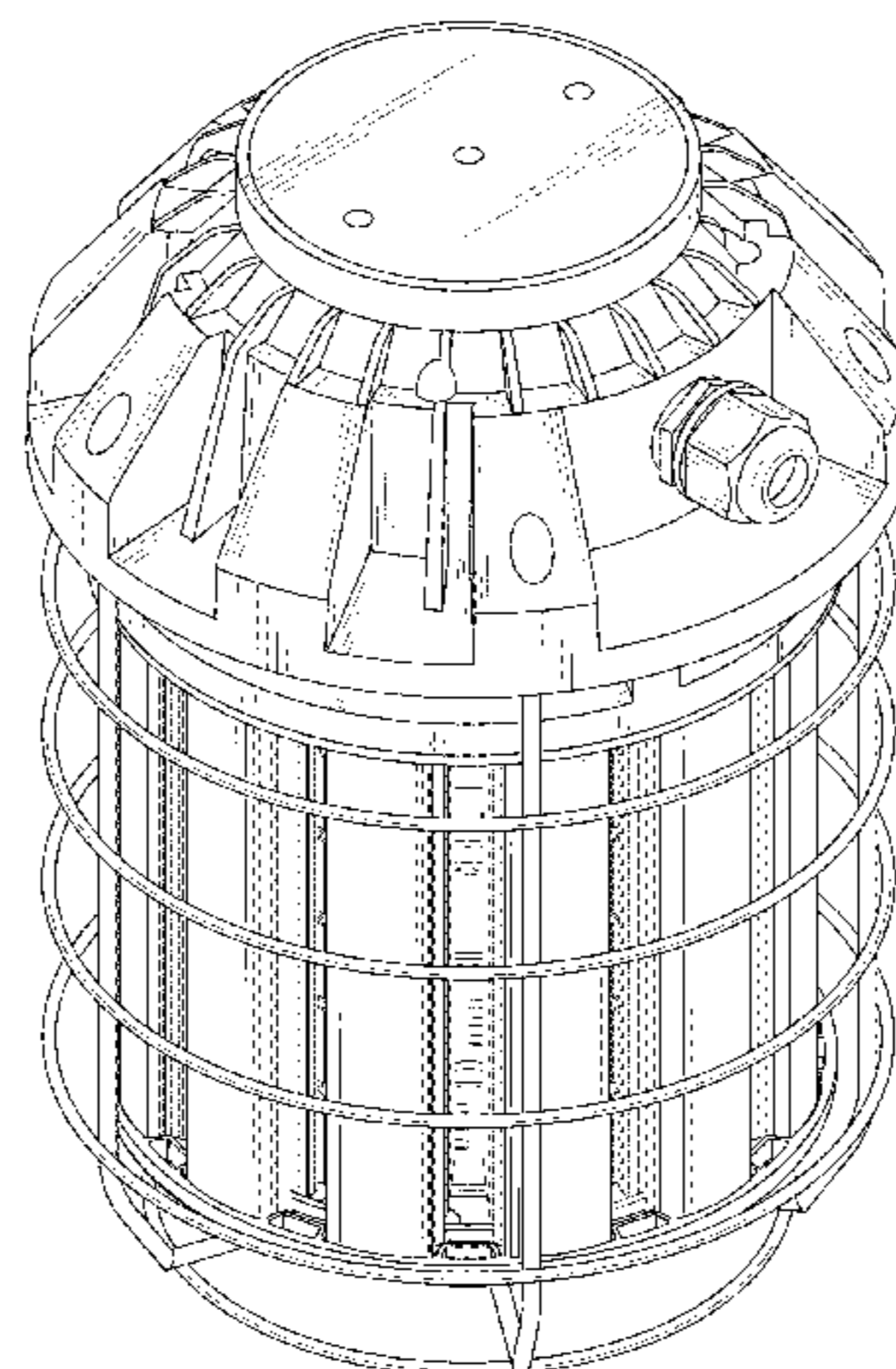


FIG. 41 is a perspective view of the LED lamp in accordance with a sixth embodiment;
FIG. 42 is similar to FIG. 41, viewed from another aspect;
FIG. 43 is a front elevational view thereof;
FIG. 44 is a rear elevational view thereof;
FIG. 45 is a left side elevational view thereof;
FIG. 46 is a right side elevational view thereof;
FIG. 47 is a top plan view thereof; and
FIG. 48 is a bottom plan view thereof.
FIG. 49 is a perspective view of the LED lamp in accordance with a seventh embodiment;
FIG. 50 is similar to FIG. 49, viewed from another aspect;
FIG. 51 is a front elevational view thereof;
FIG. 52 is a rear elevational view thereof;
FIG. 53 is a left side elevational view thereof;
FIG. 54 is a right side elevational view thereof;
FIG. 55 is a top plan view thereof; and
FIG. 56 is a bottom plan view thereof.
FIG. 57 is a perspective view of the LED lamp in accordance with an eighth embodiment;
FIG. 58 is similar to FIG. 57, viewed from another aspect;
FIG. 59 is a front elevational view thereof;
FIG. 60 is a rear elevational view thereof;
FIG. 61 is a left side elevational view thereof;
FIG. 62 is a right side elevational view thereof;
FIG. 63 is a top plan view thereof; and
FIG. 64 is a bottom plan view thereof.
FIG. 65 is a perspective view of the LED lamp in accordance with an eighth embodiment;

FIG. 66 is similar to FIG. 65, viewed from another aspect;
FIG. 67 is a front elevational view thereof;
FIG. 68 is a rear elevational view thereof;
FIG. 69 is a left side elevational view thereof;
FIG. 70 is a right side elevational view thereof;
FIG. 71 is a top plan view thereof; and,
FIG. 72 is a bottom plan view thereof.
The broken lines are for the purposes of illustrating portions of the LED lamp and form no part of the claimed design.

1 Claim, 72 Drawing Sheets

(58) **Field of Classification Search**

CPC H01R 5/00; H01R 13/46; H01R 13/514;
H01R 31/048; H01R 31/02; H01J 5/00;
H01J 5/16; H01J 15/00; H01J 5/48; H01J
5/50; H01J 19/54; F21V 5/00

See application file for complete search history.

(56) **References Cited**

U.S. PATENT DOCUMENTS

D584,838	S	*	1/2009	To	D26/2
D646,802	S	*	10/2011	Guohui	D26/2
D695,426	S	*	12/2013	Tu	D26/2
D747,013	S		1/2016	Qin		
D768,890	S		10/2016	Pan		

* cited by examiner

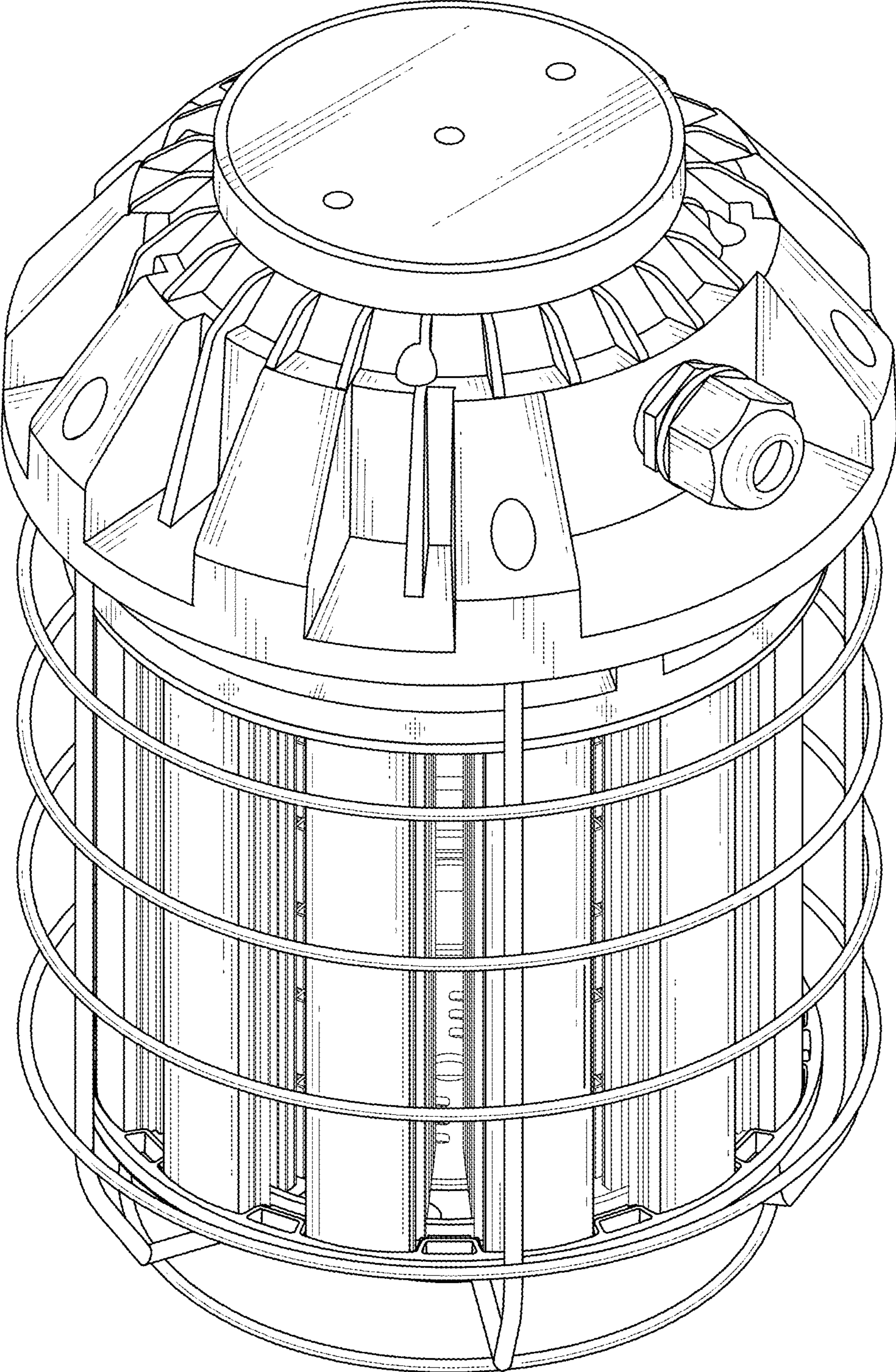


FIG. 1

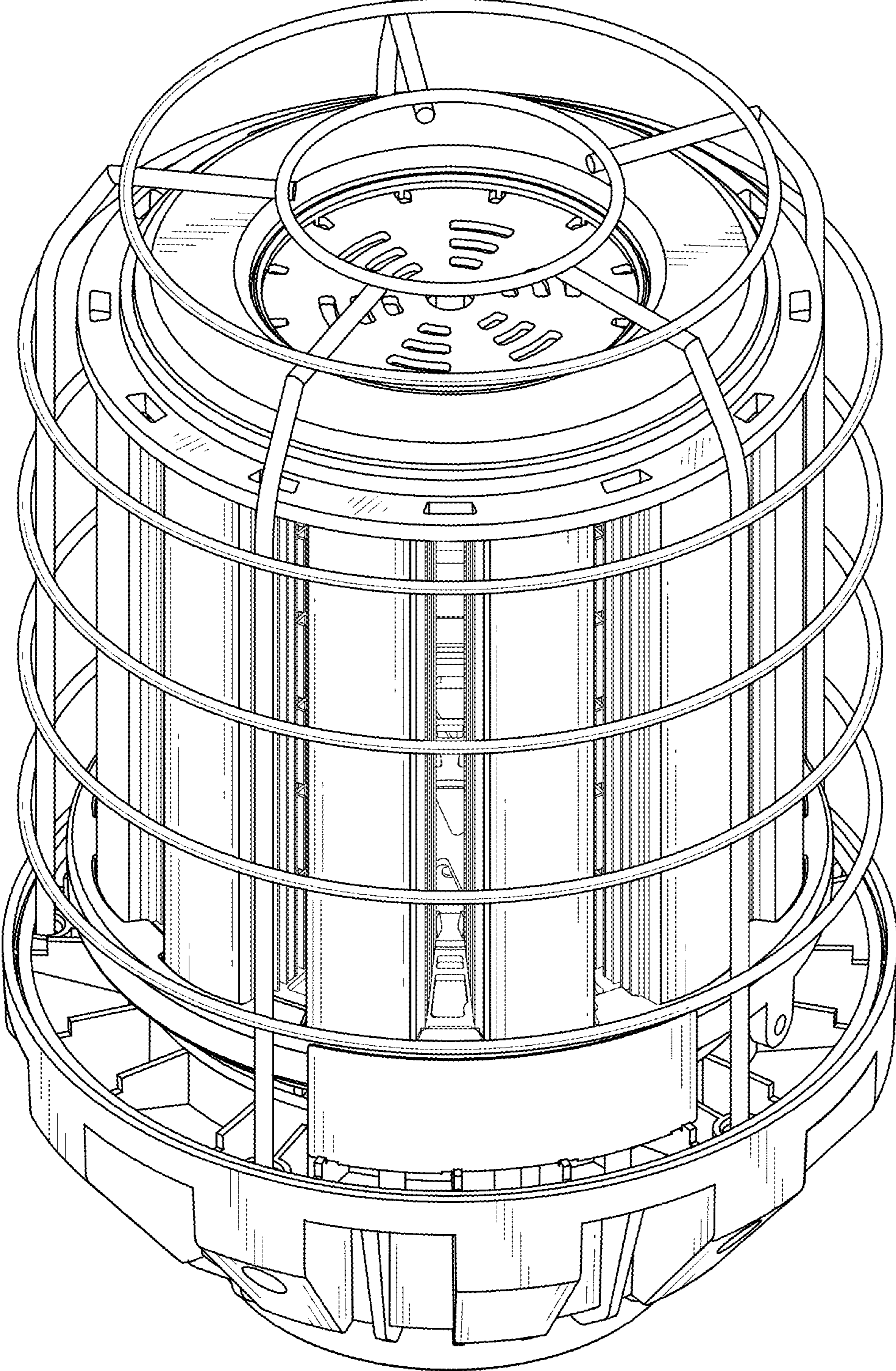


FIG. 2

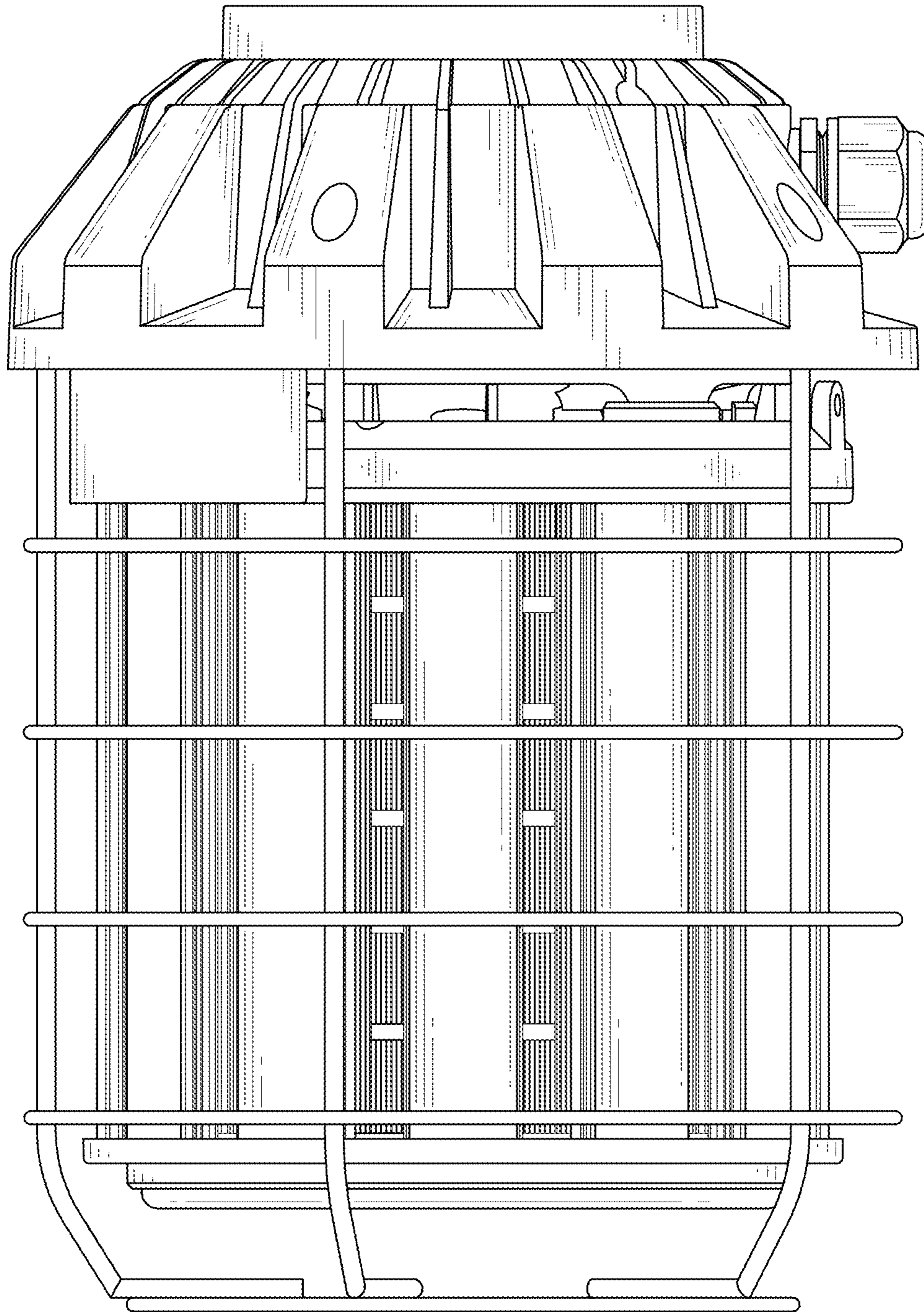


FIG. 3

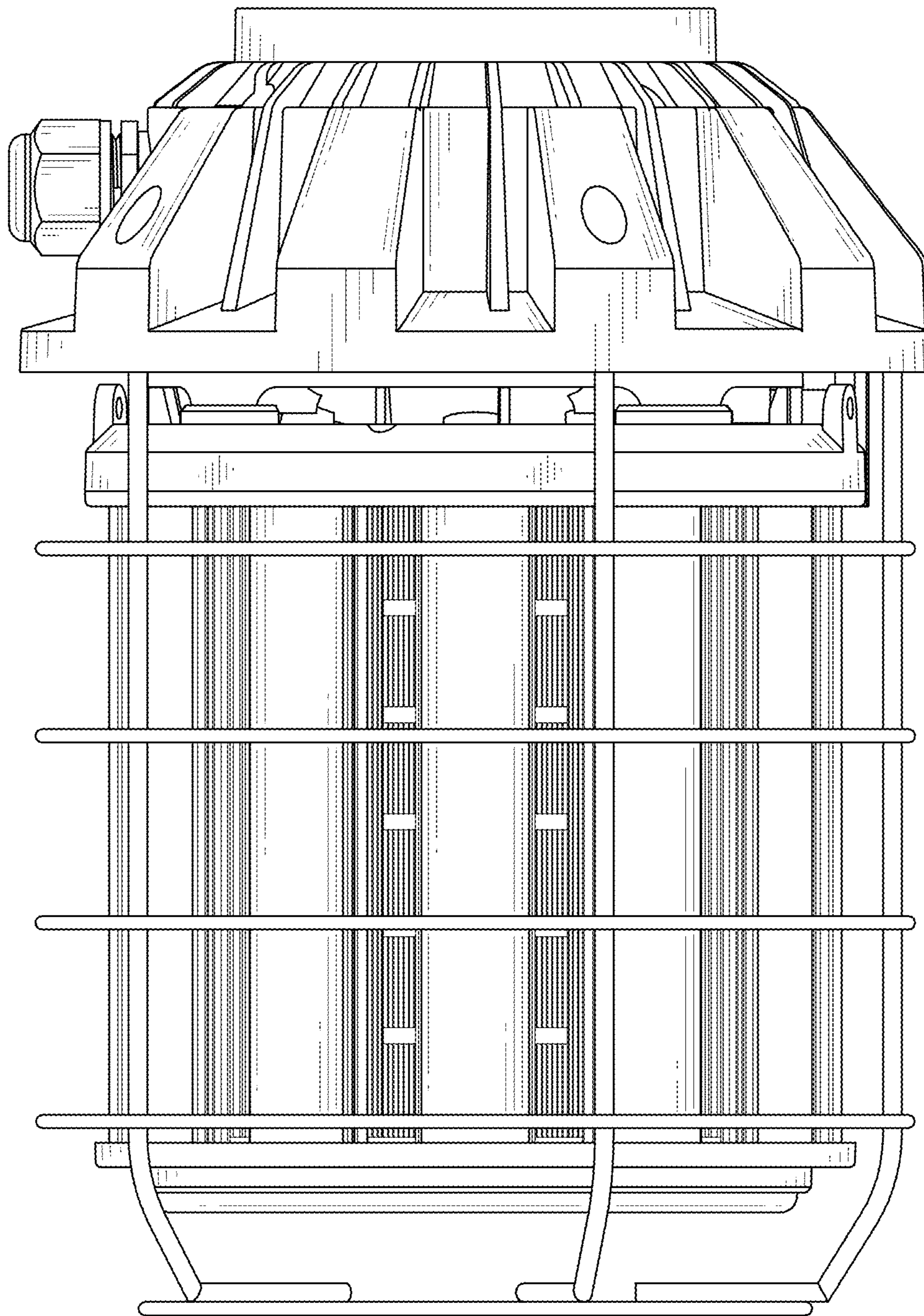


FIG. 4

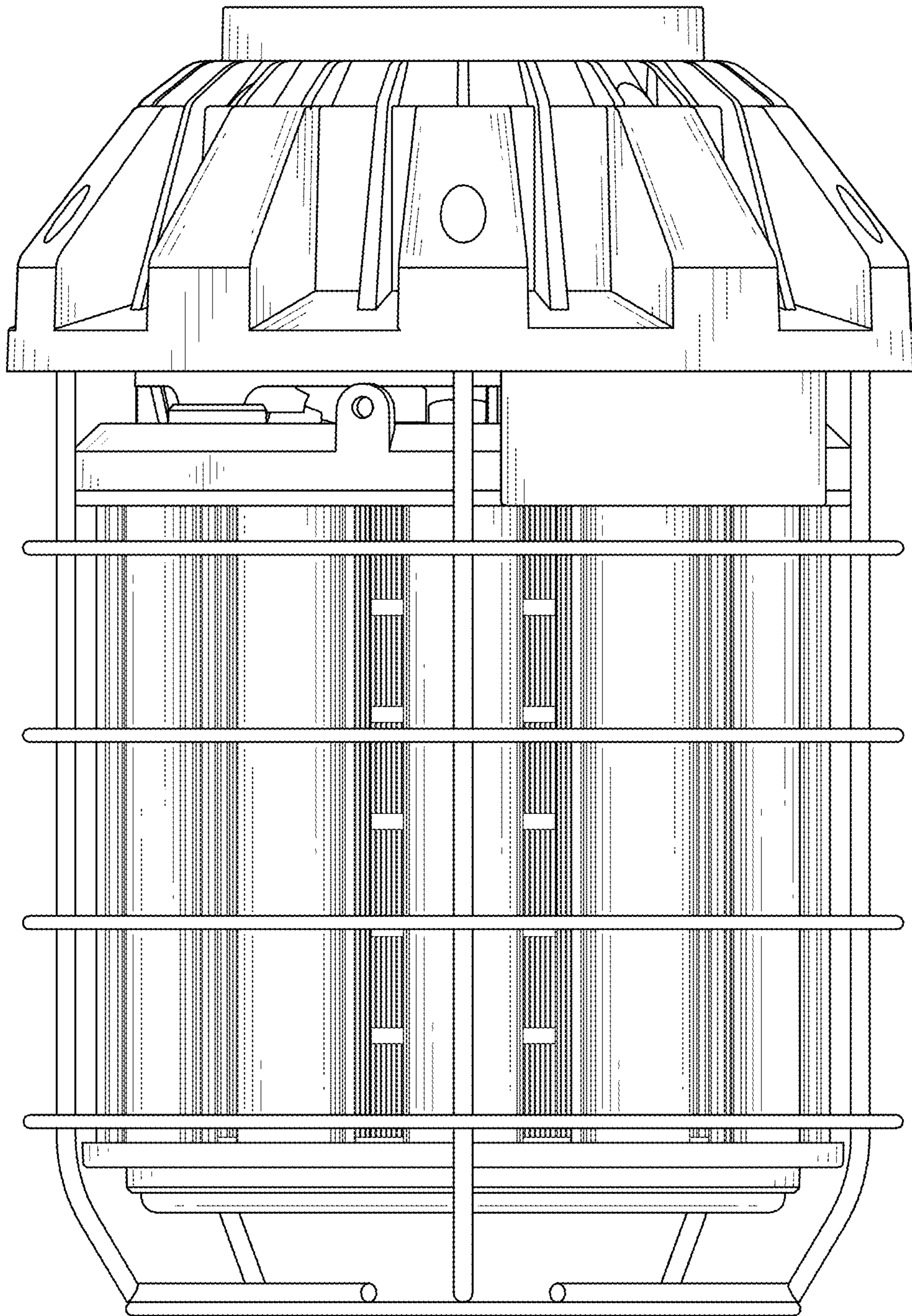


FIG. 5

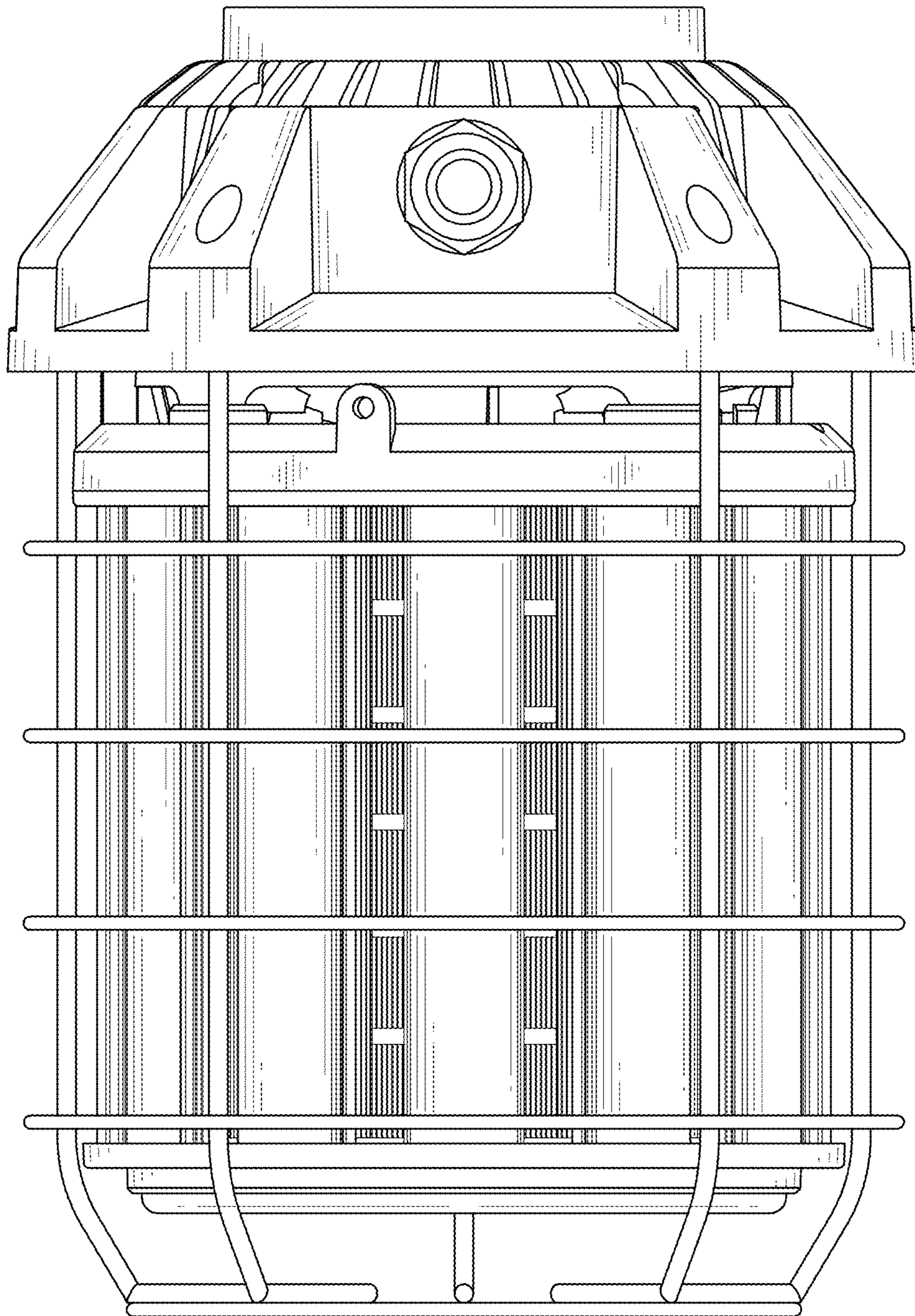


FIG. 6

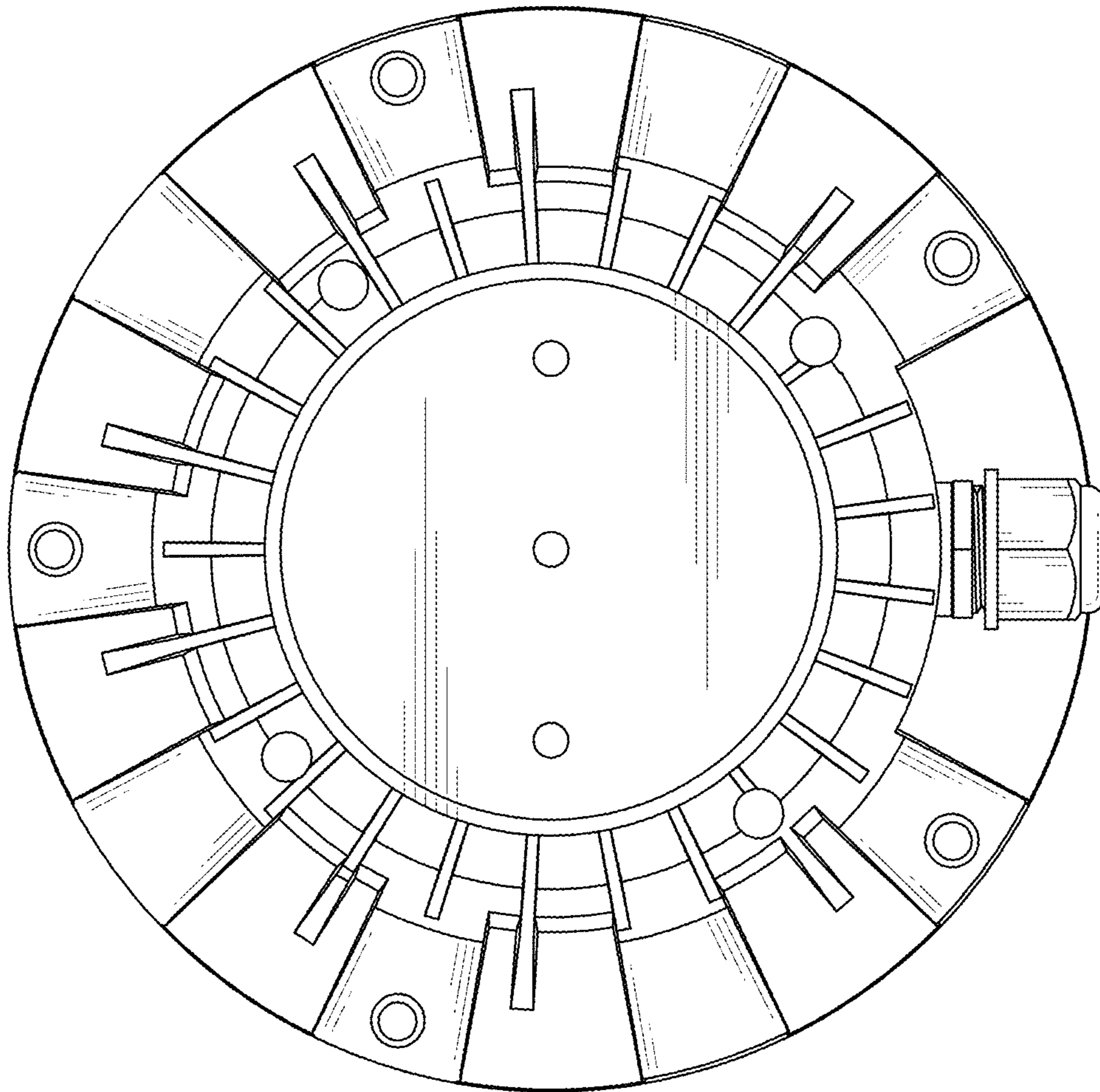


FIG. 7

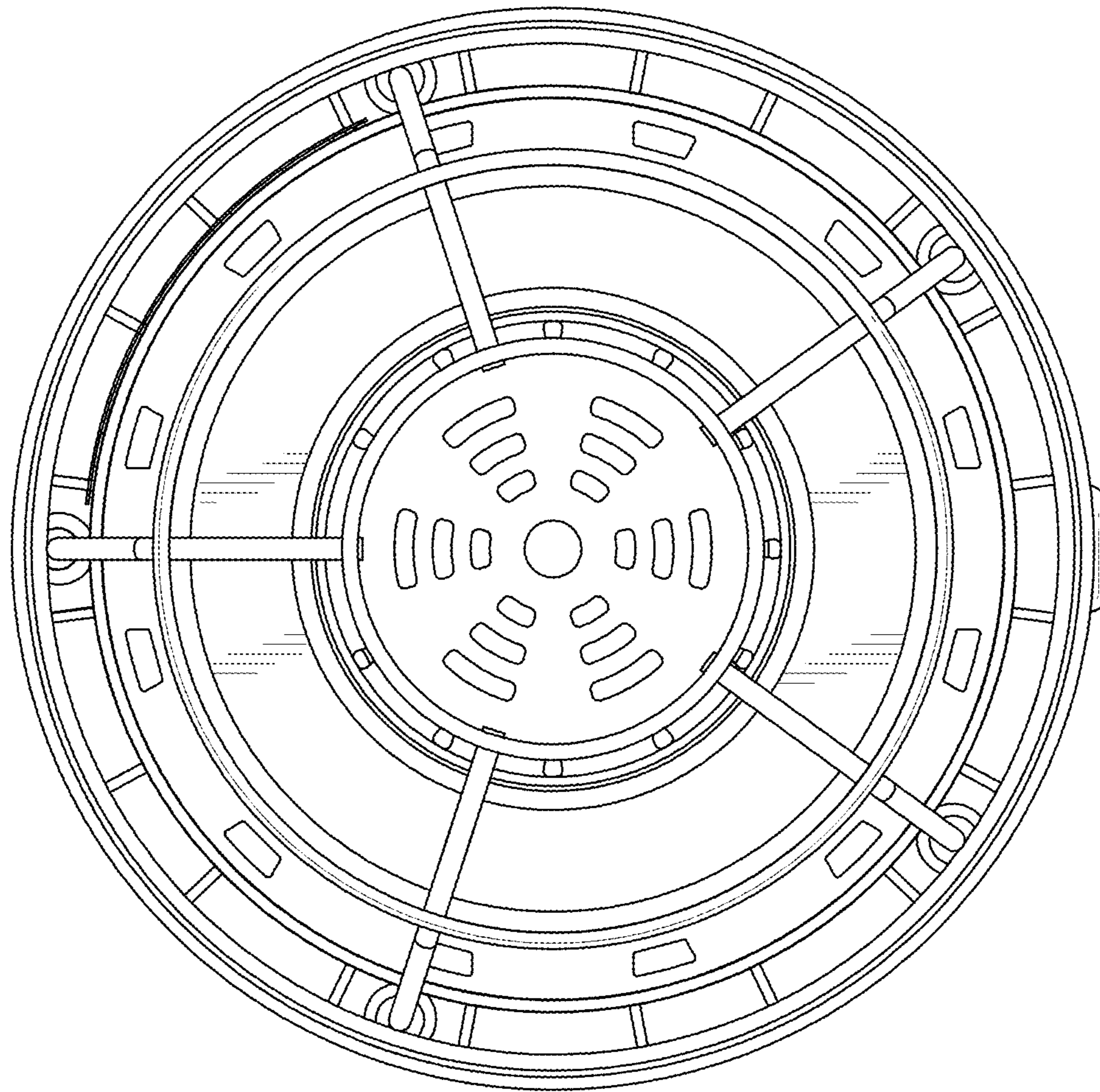


FIG. 8

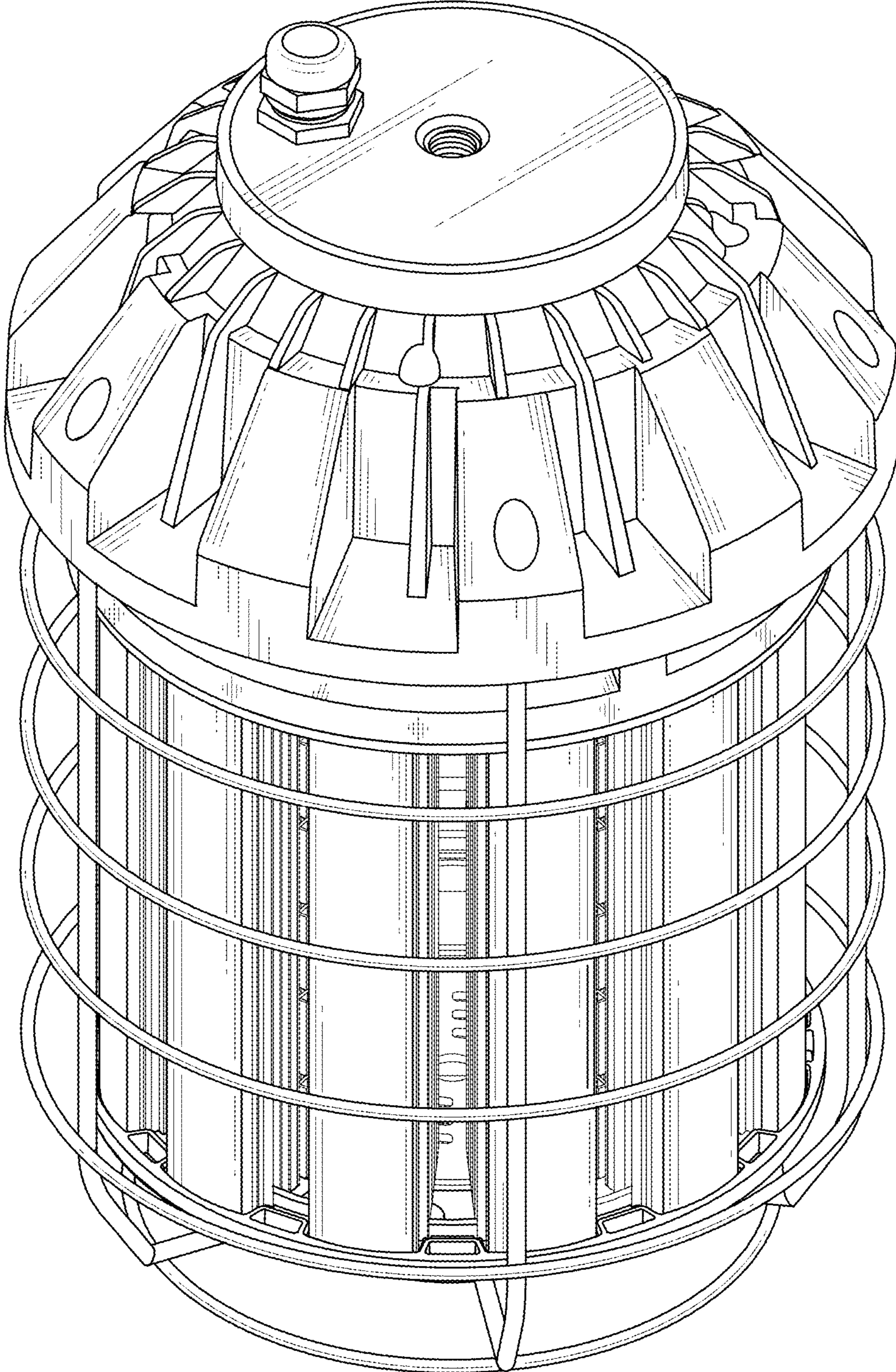


FIG. 9

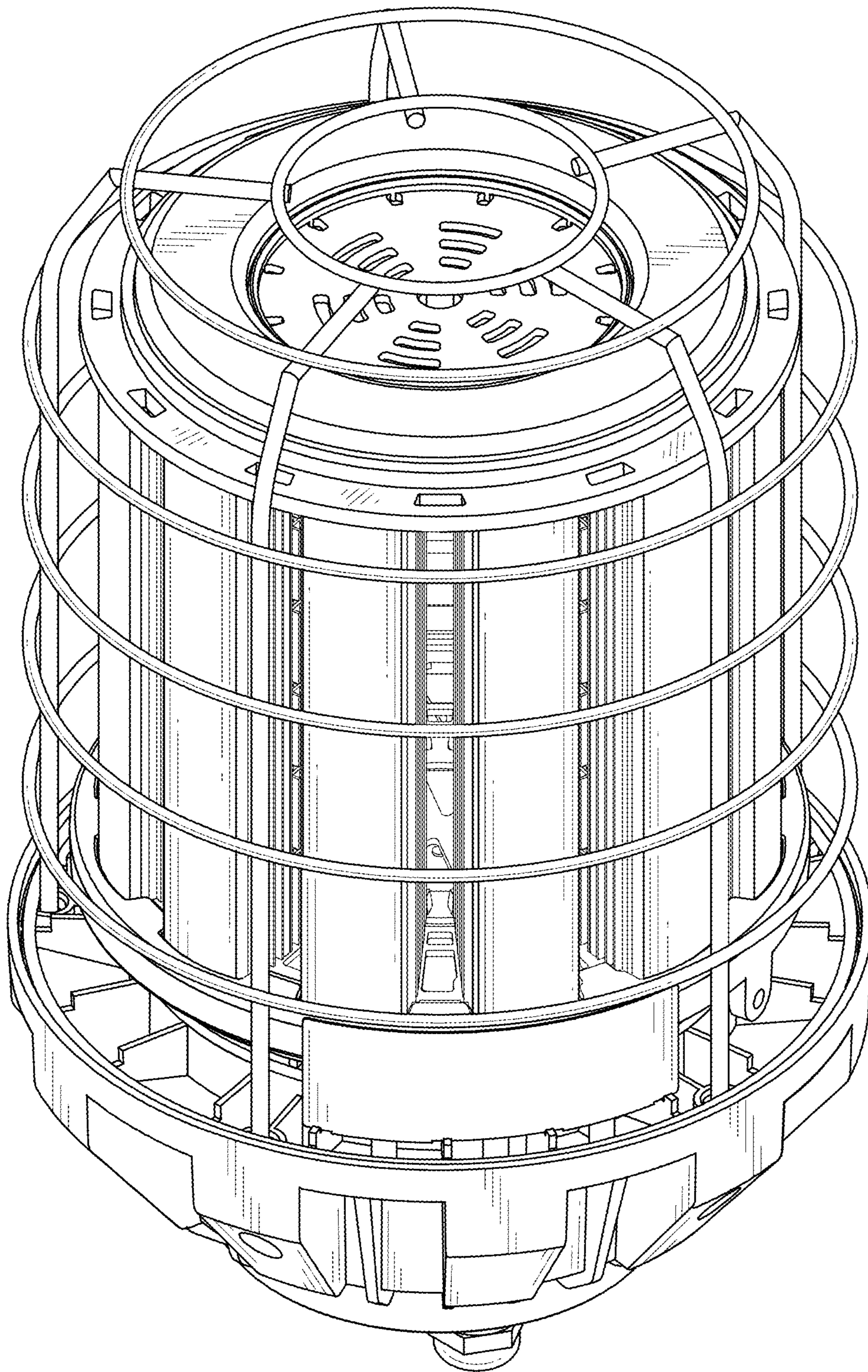


FIG. 10

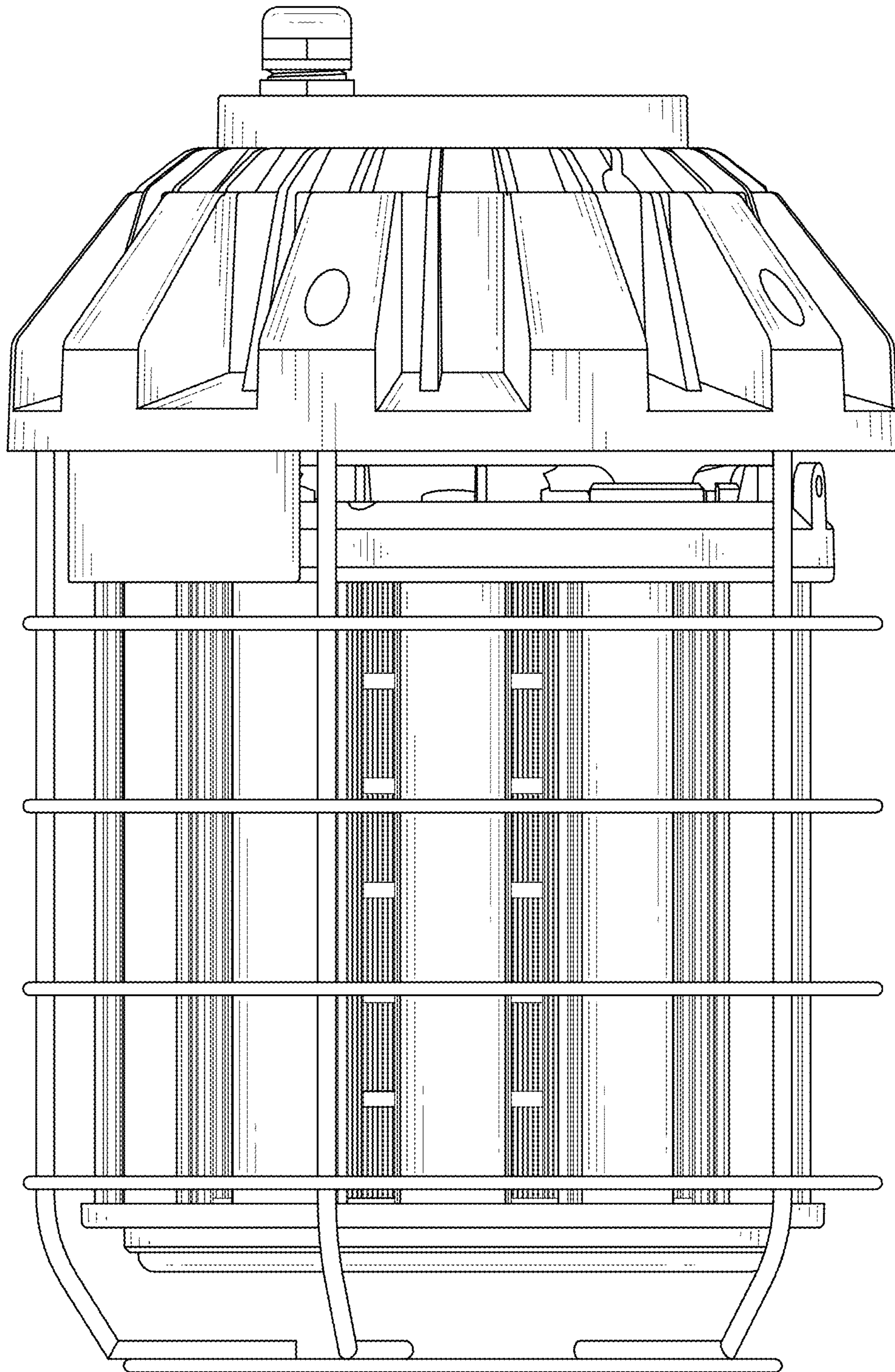


FIG. 11

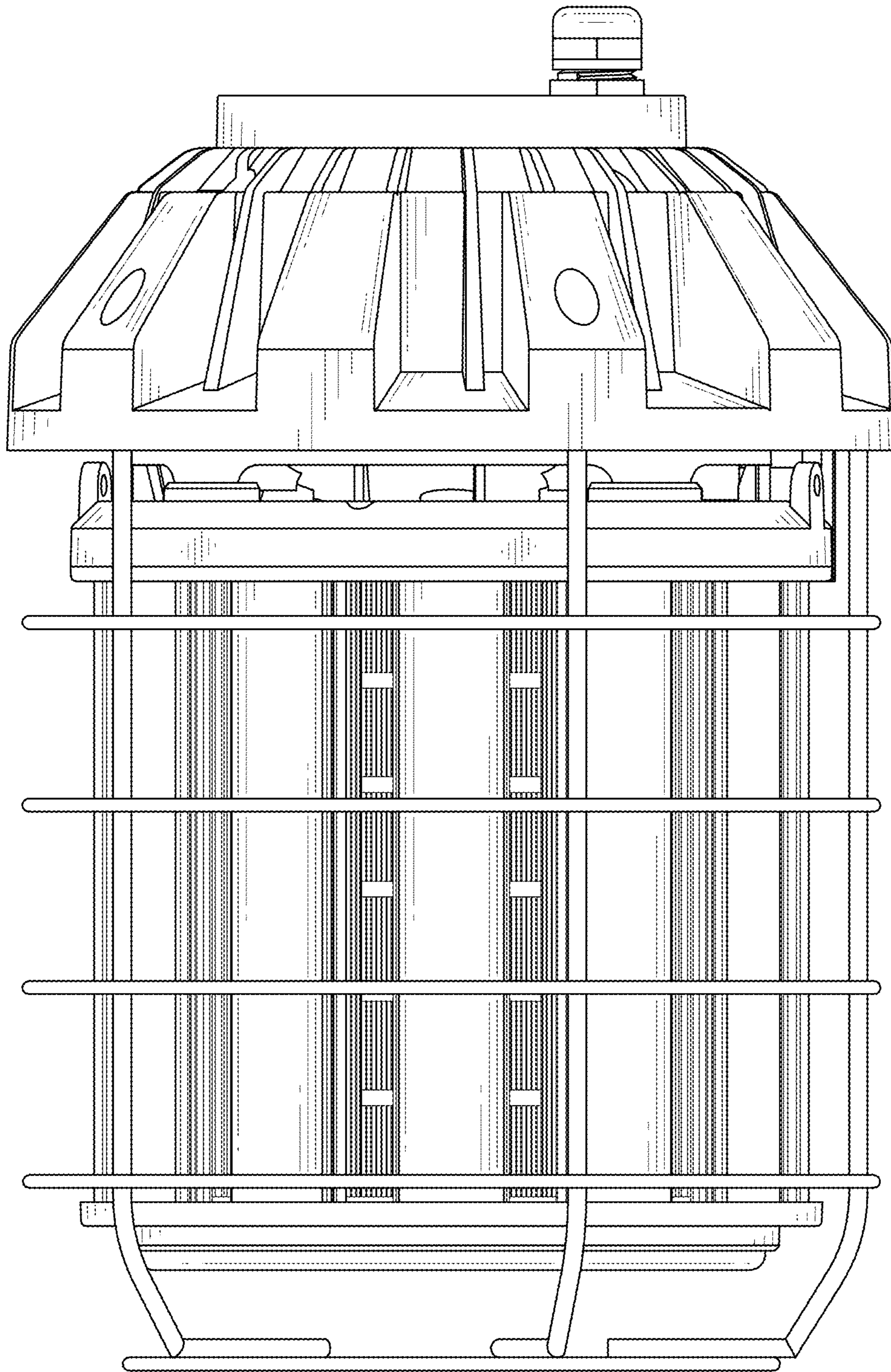


FIG. 12

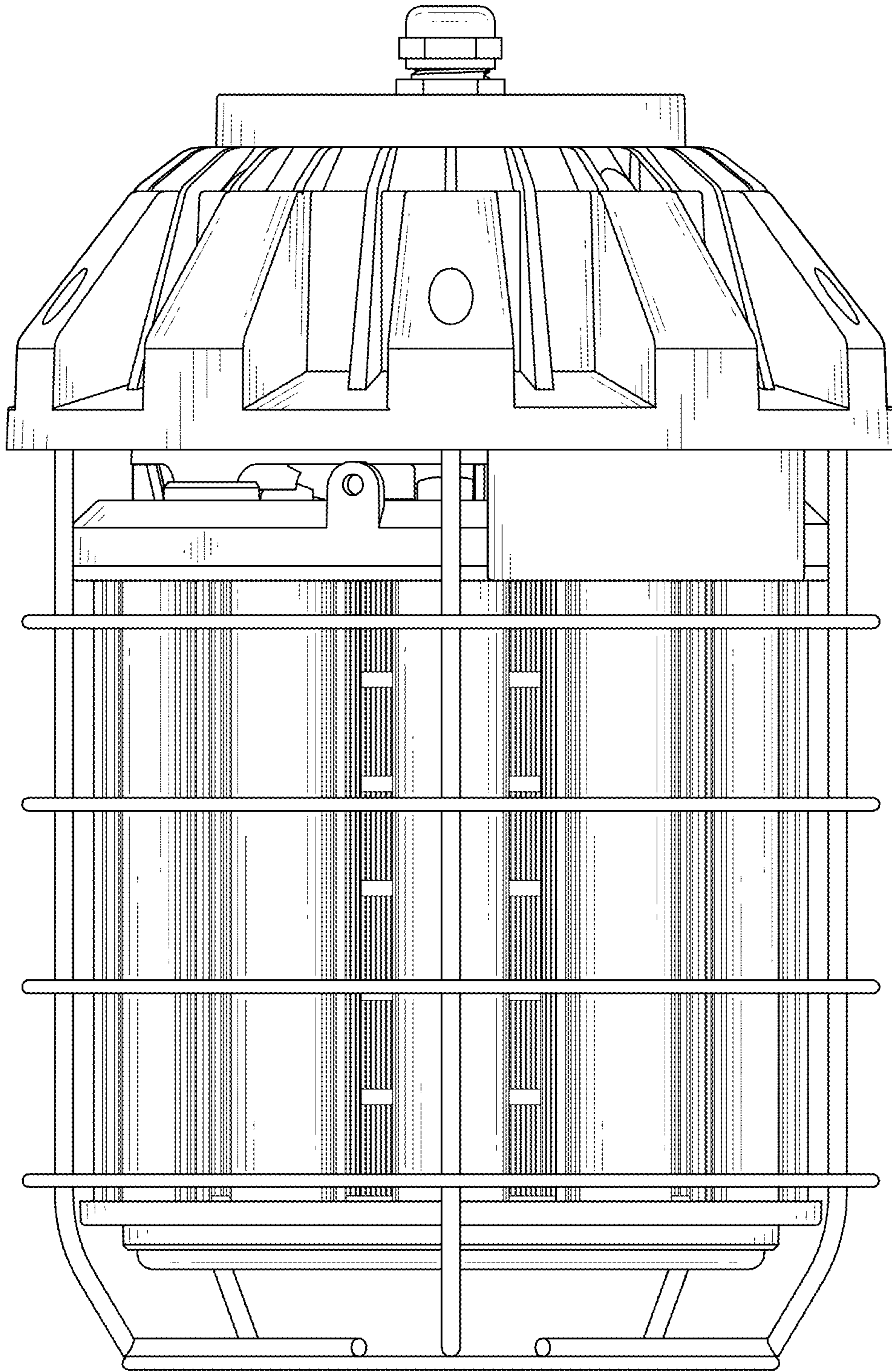


FIG. 13

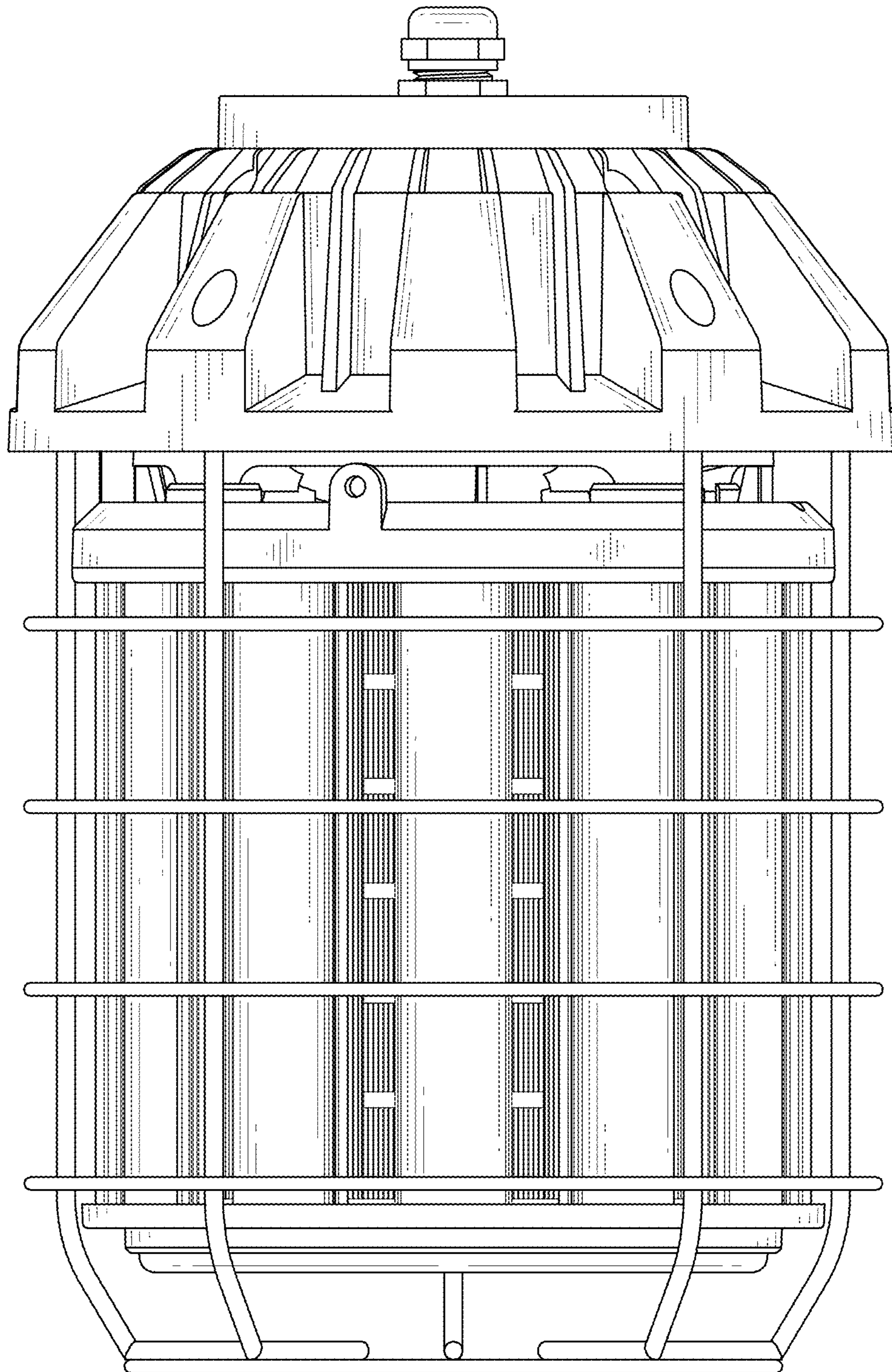


FIG. 14

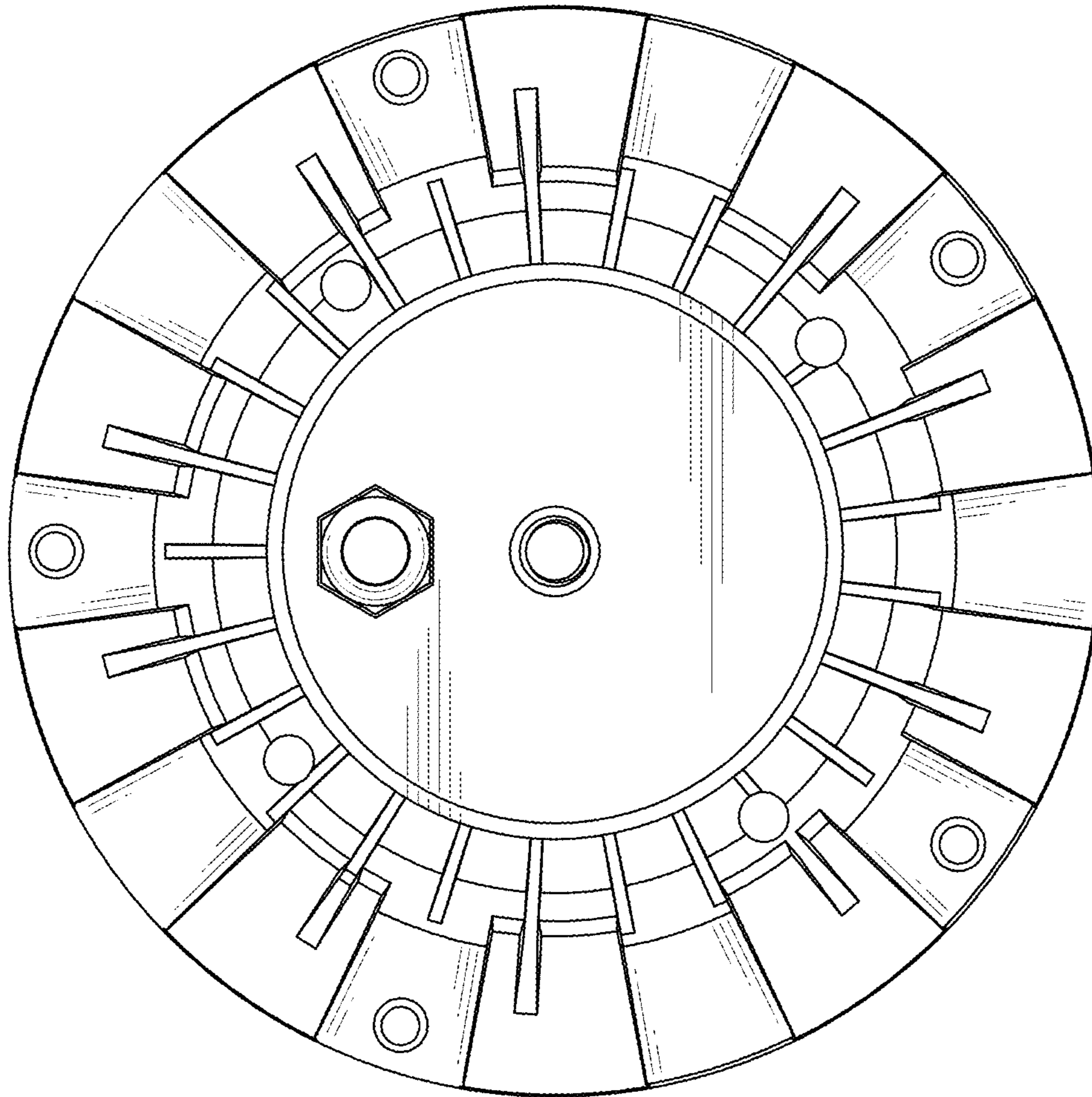


FIG. 15

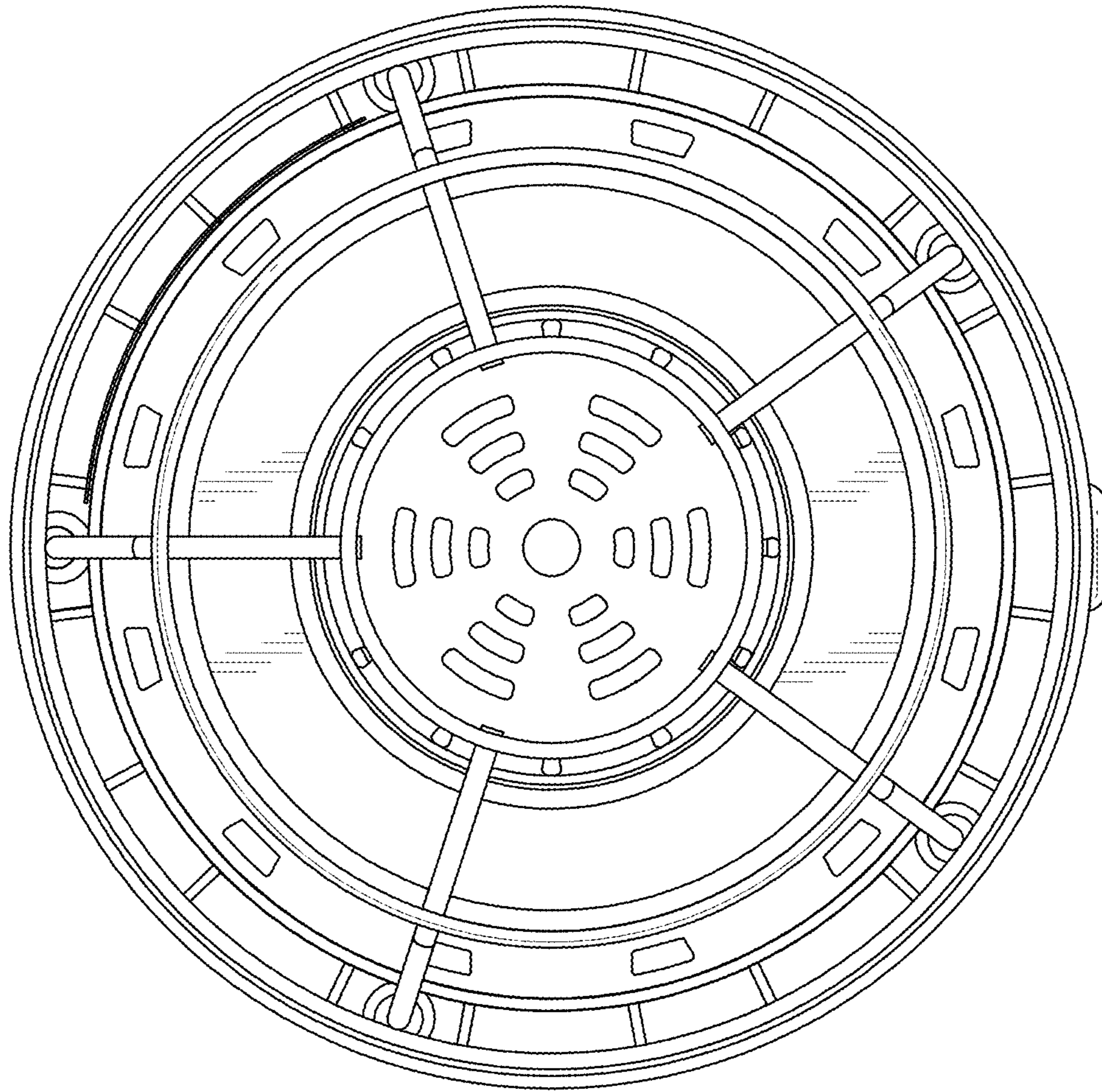


FIG. 16

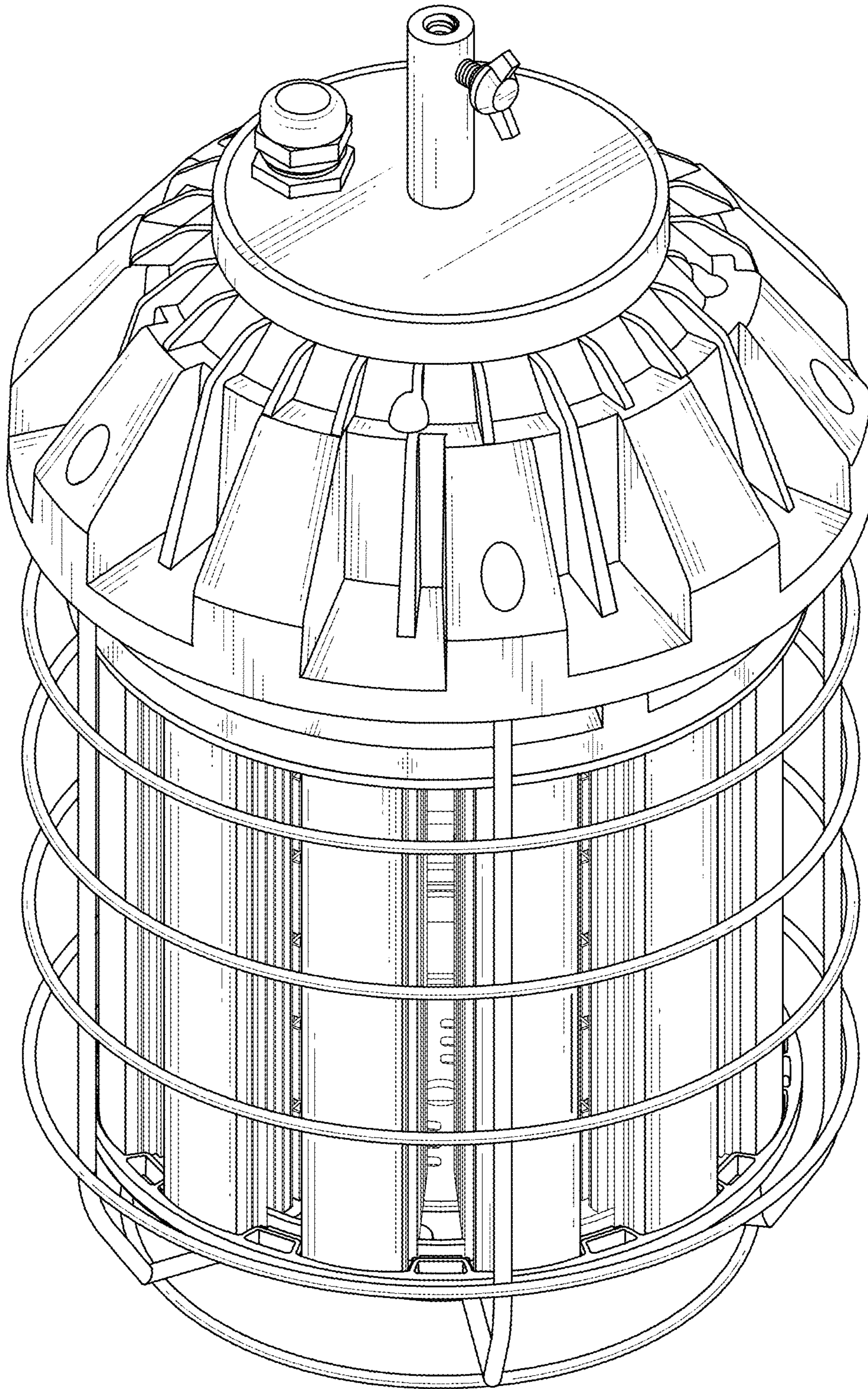


FIG. 17

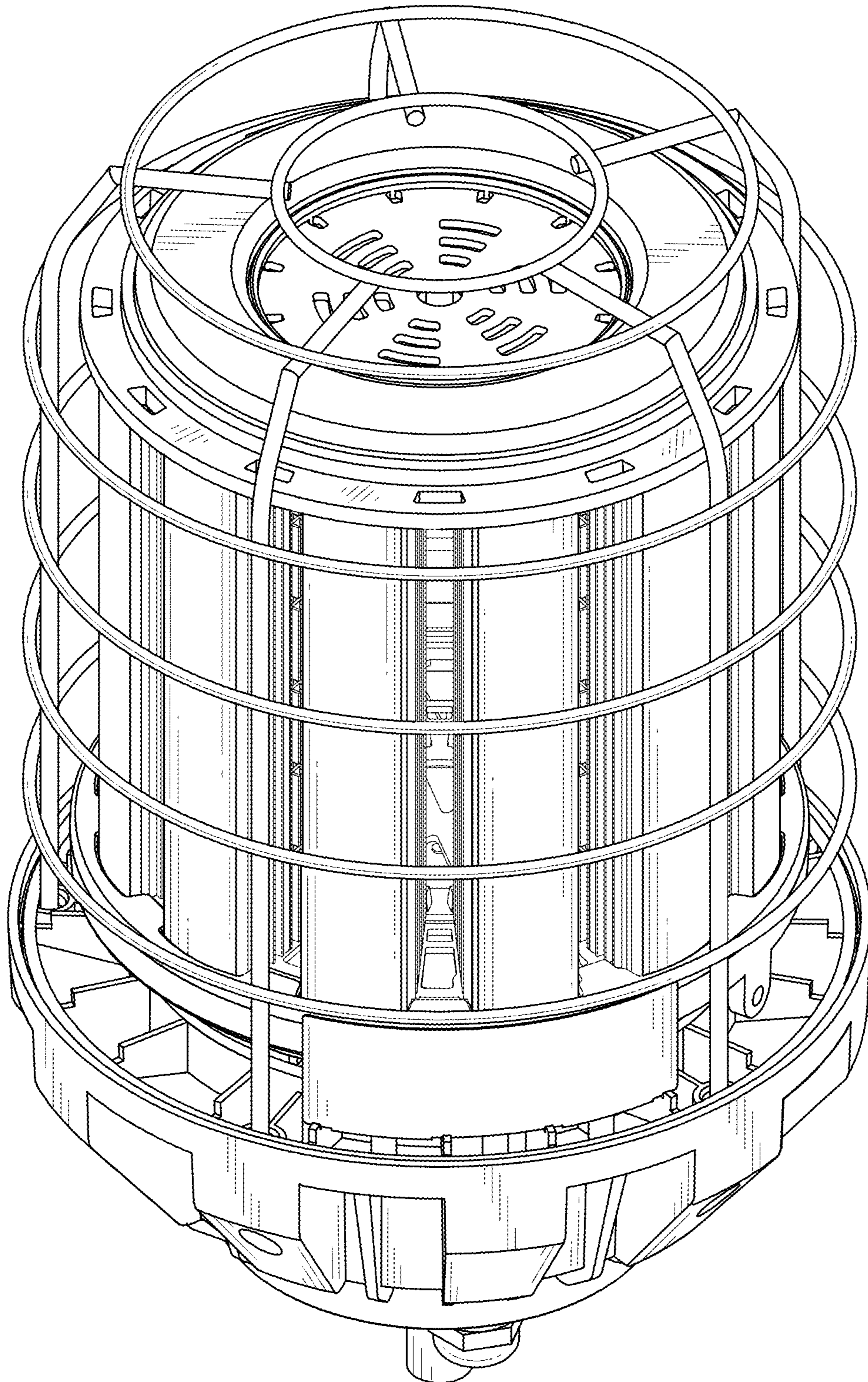


FIG. 18

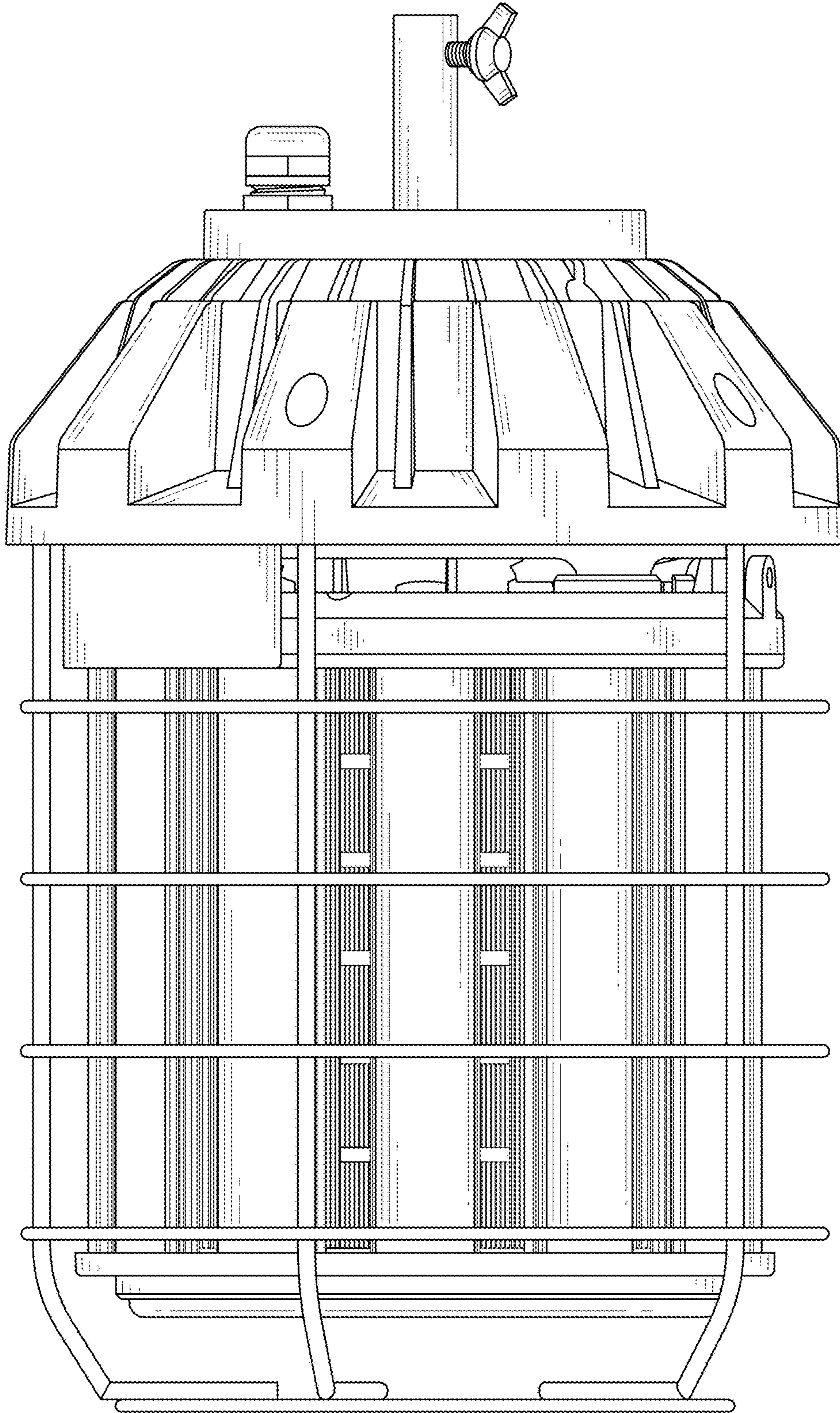


FIG. 19

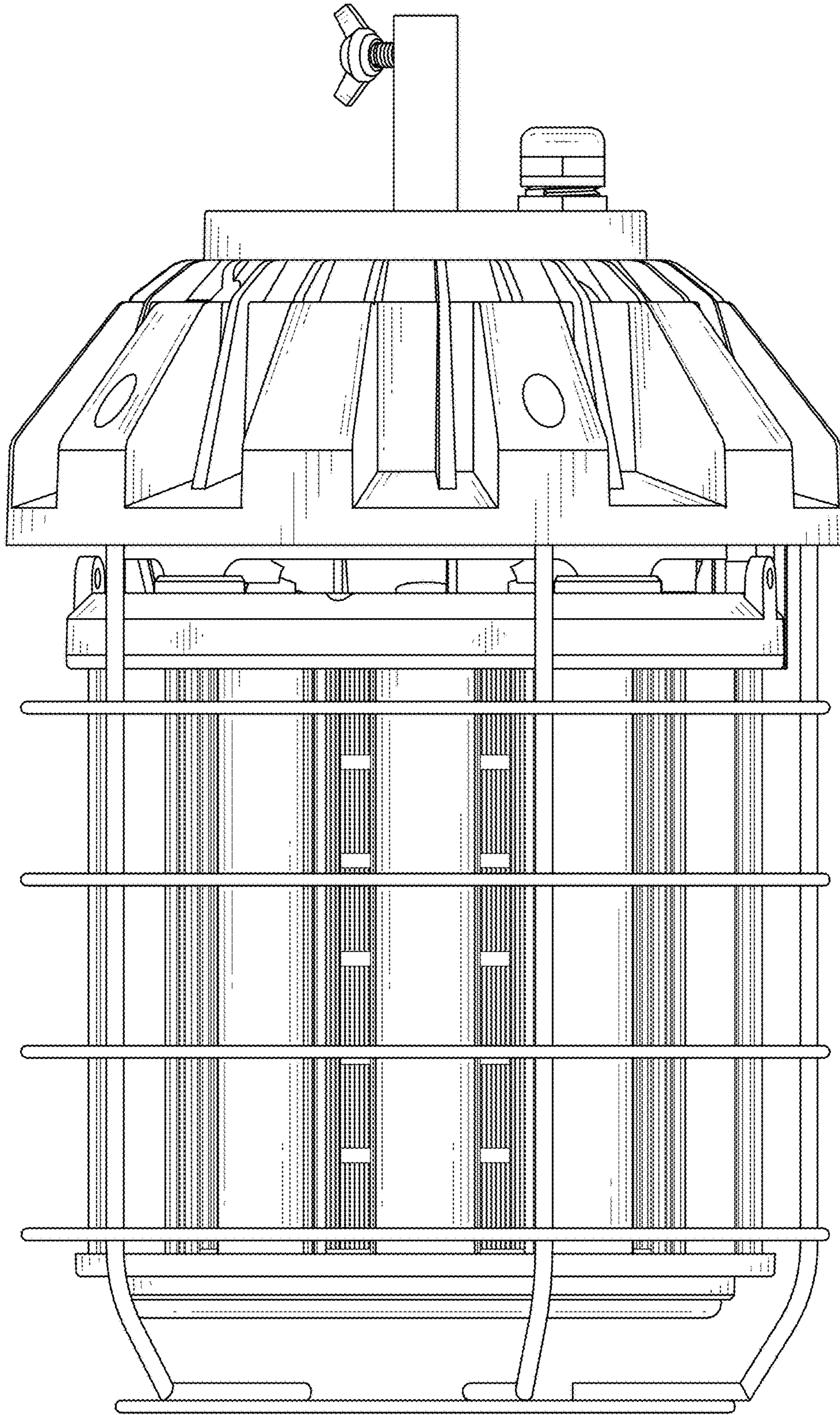


FIG. 20

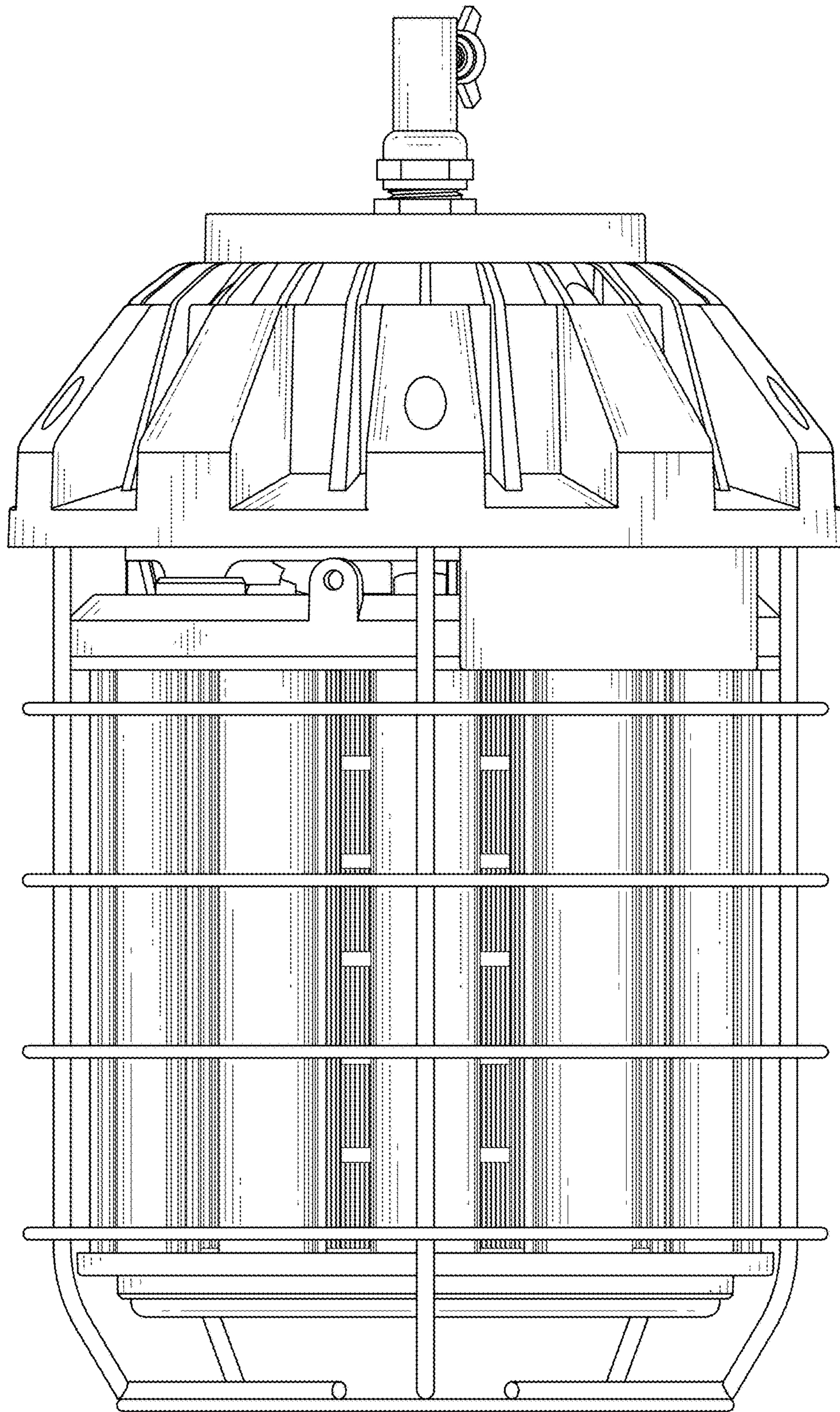


FIG. 21

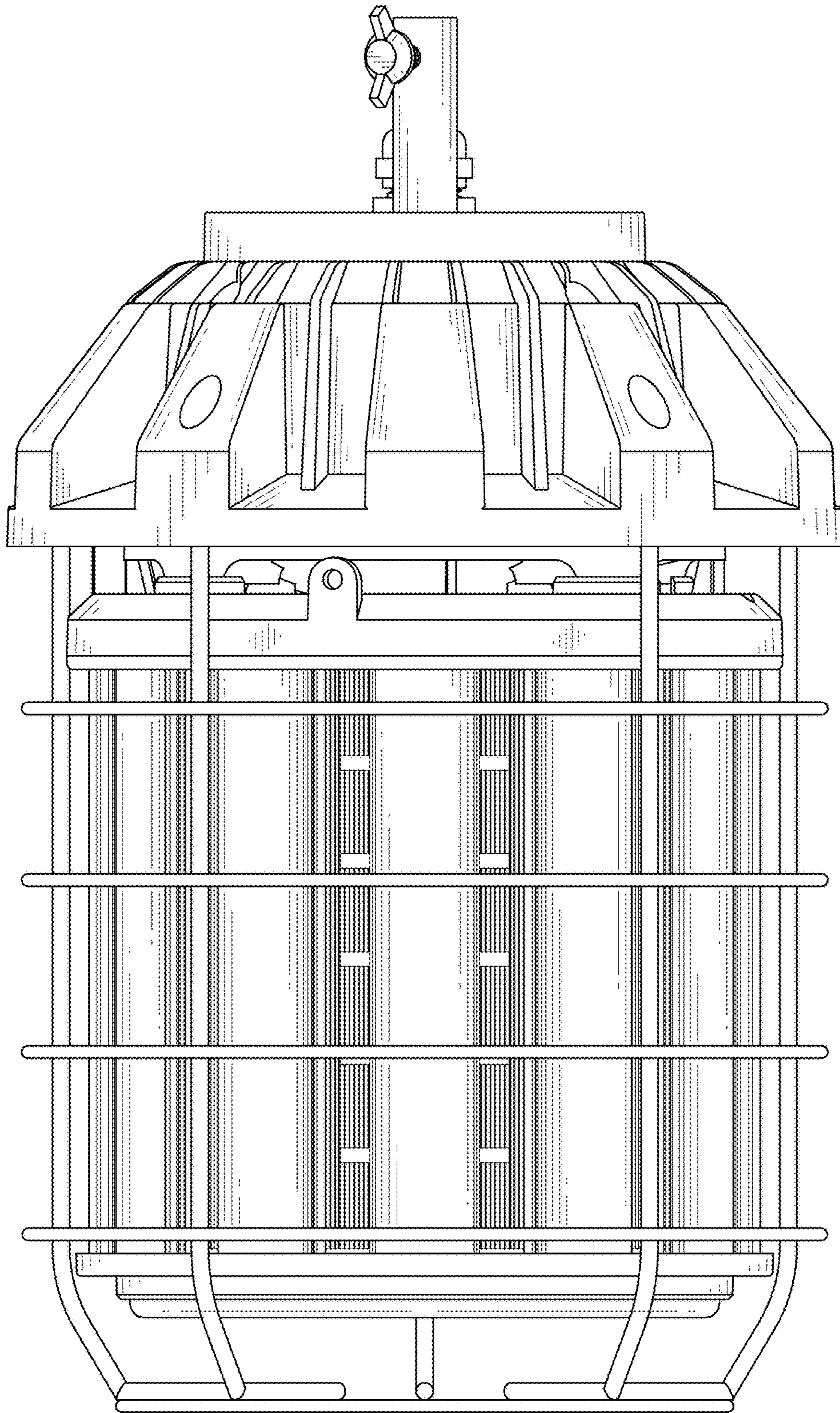


FIG. 22

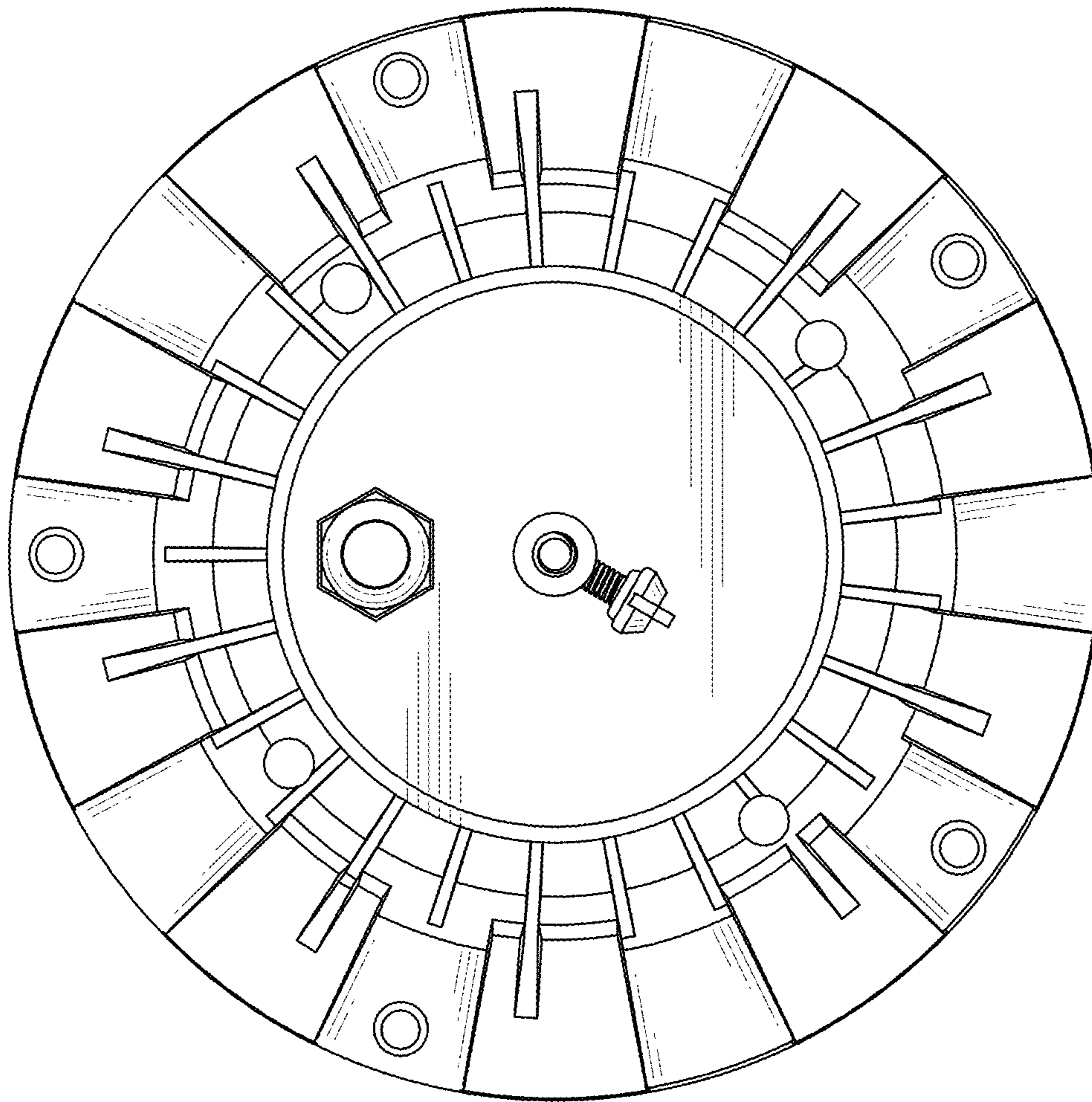


FIG. 23

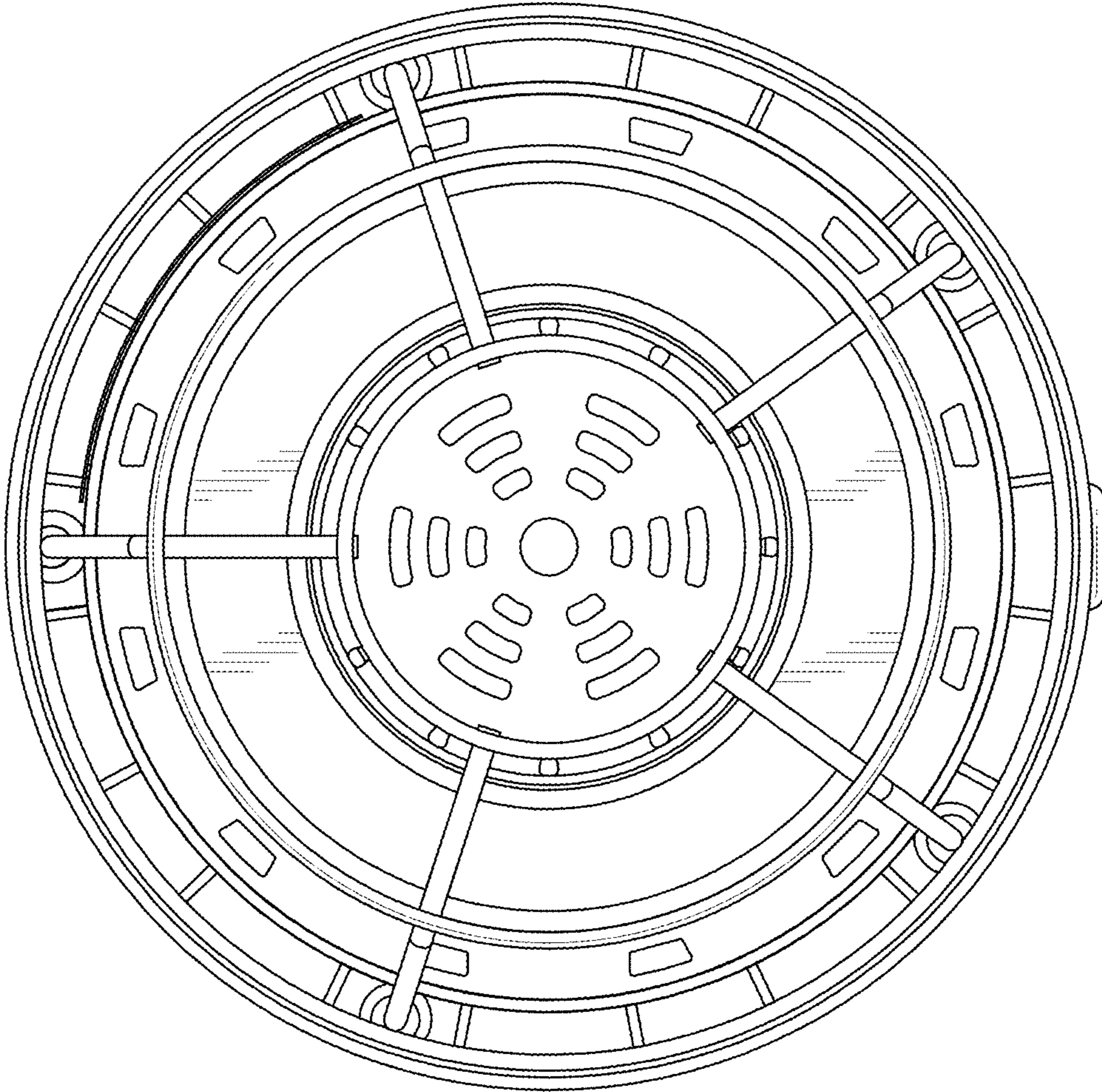


FIG. 24

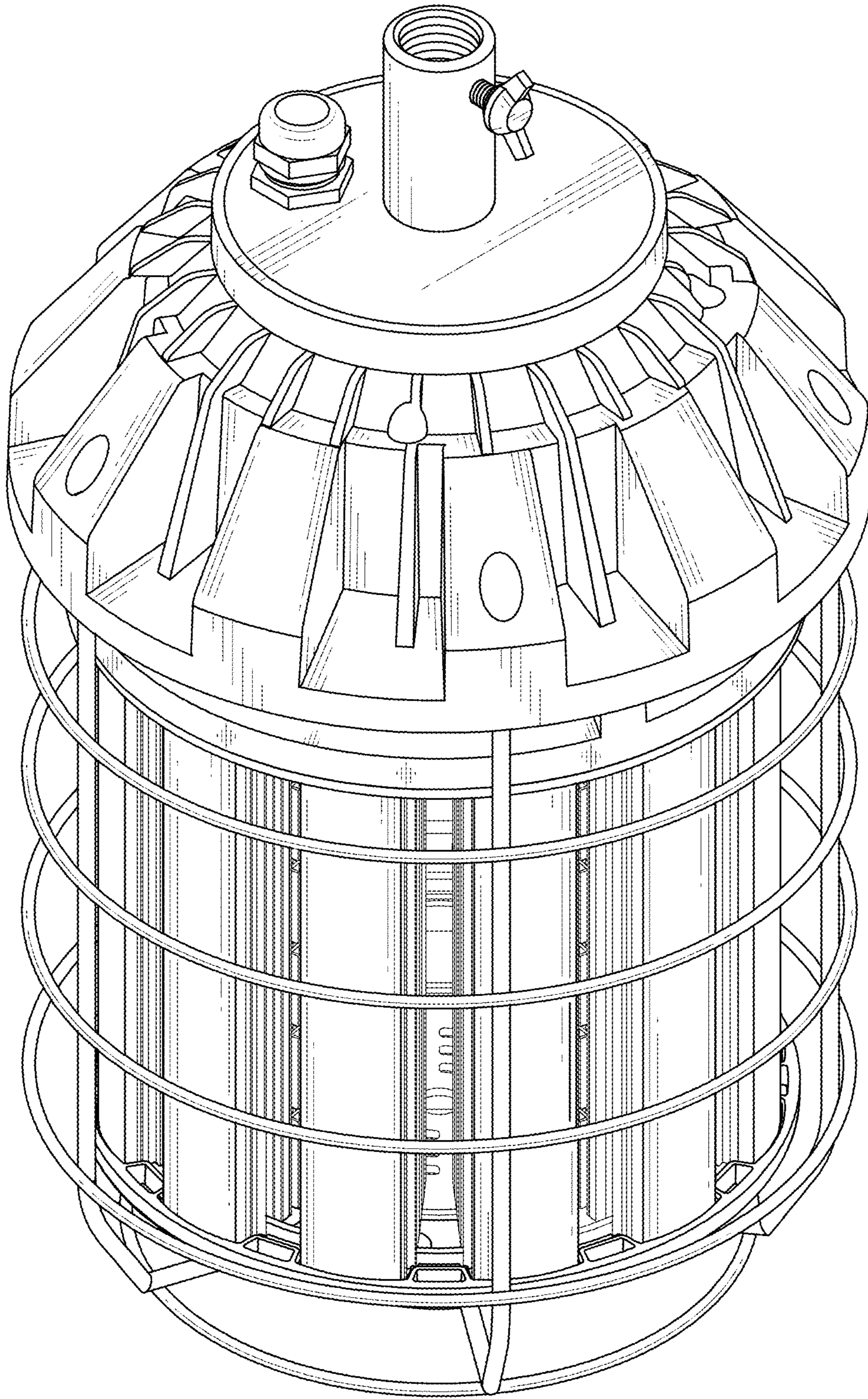


FIG. 25

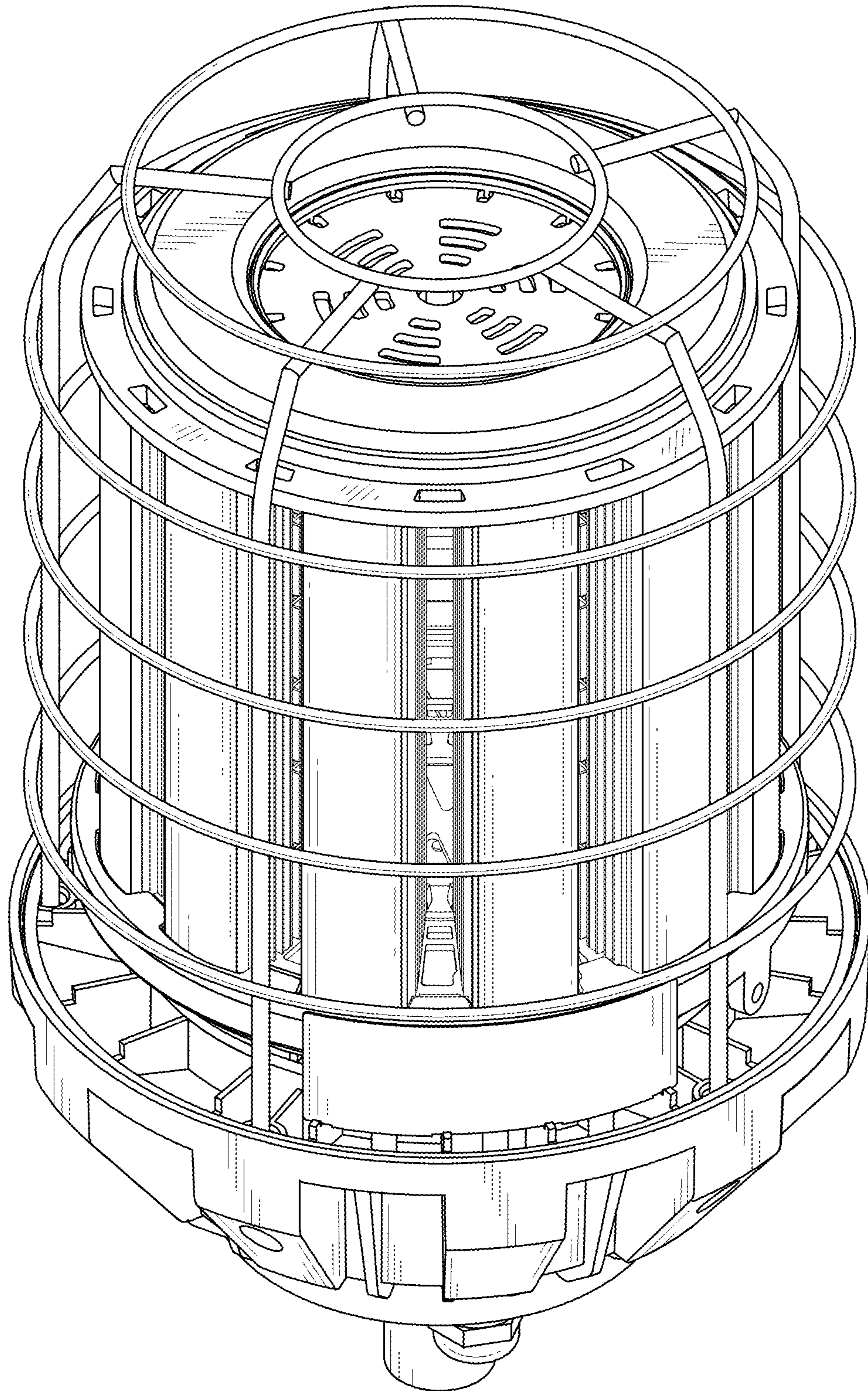


FIG. 26

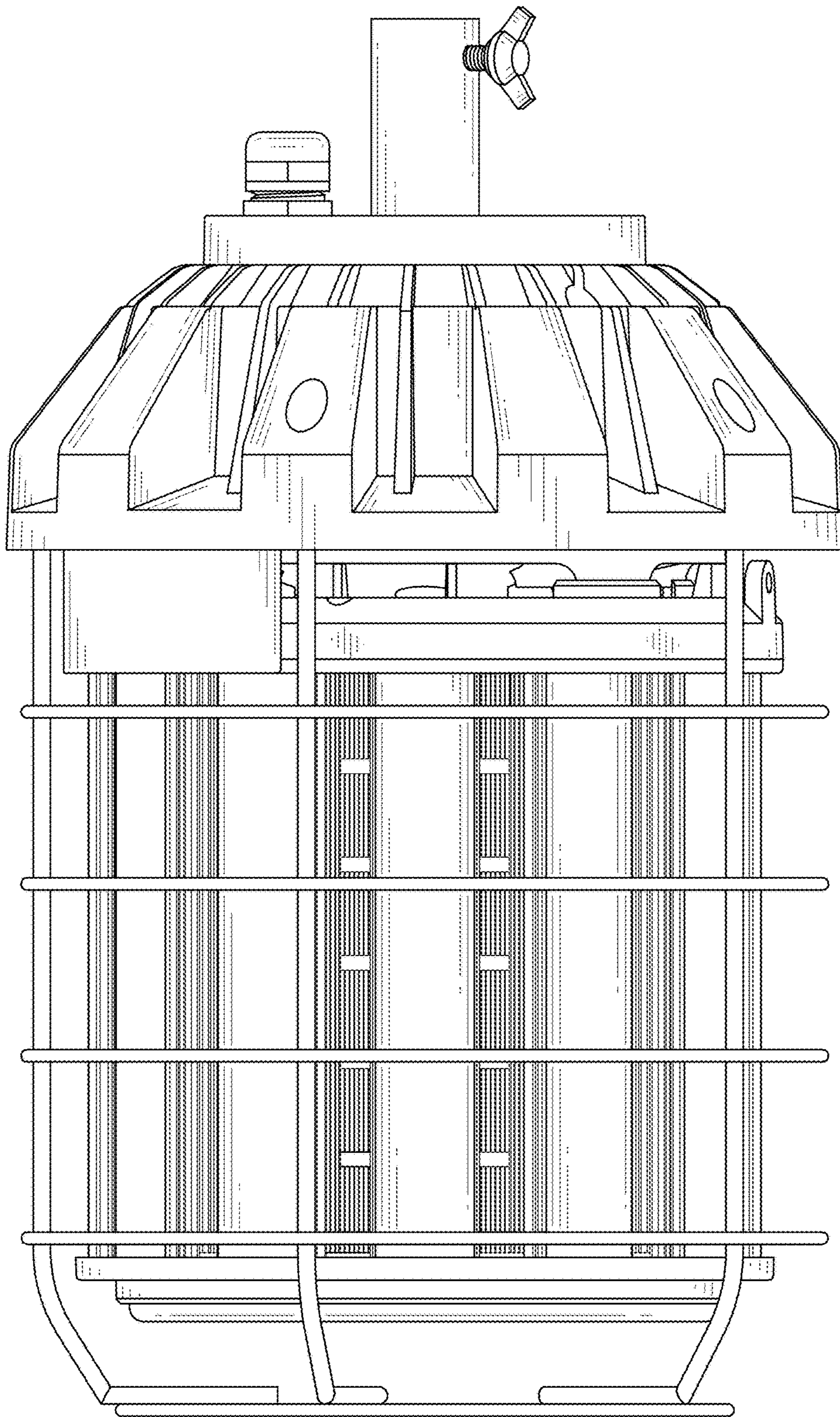


FIG. 27

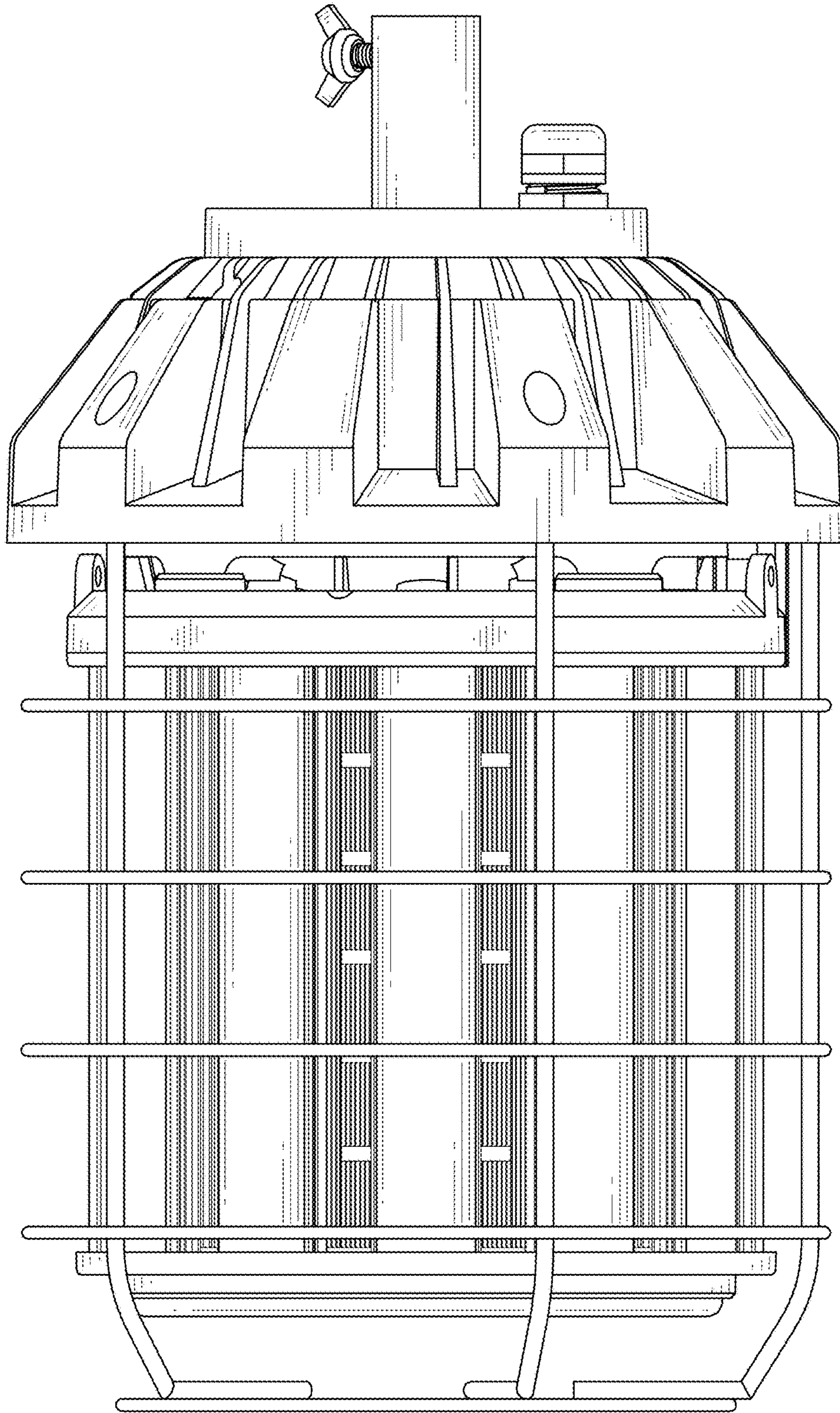


FIG. 28

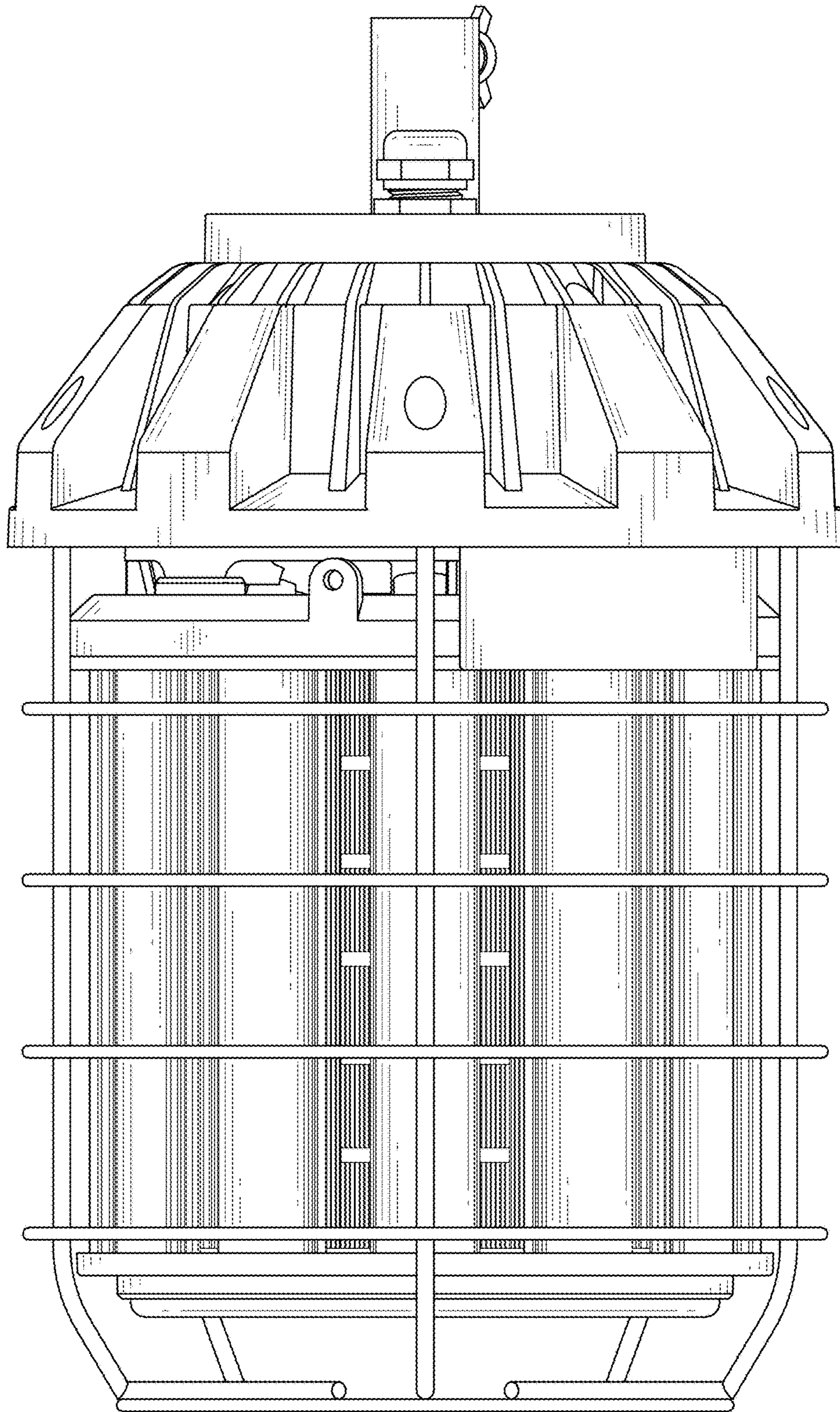


FIG. 29

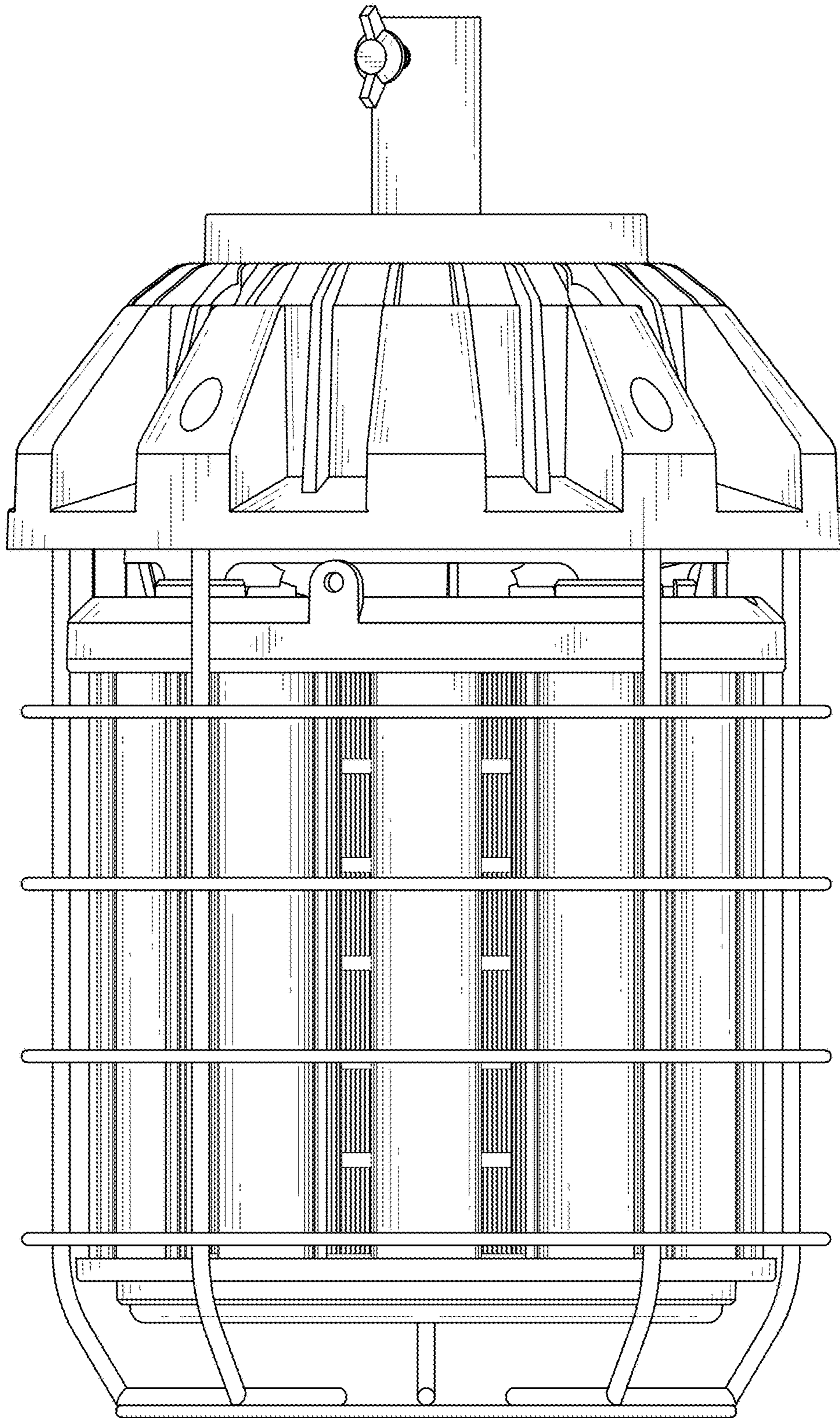


FIG. 30

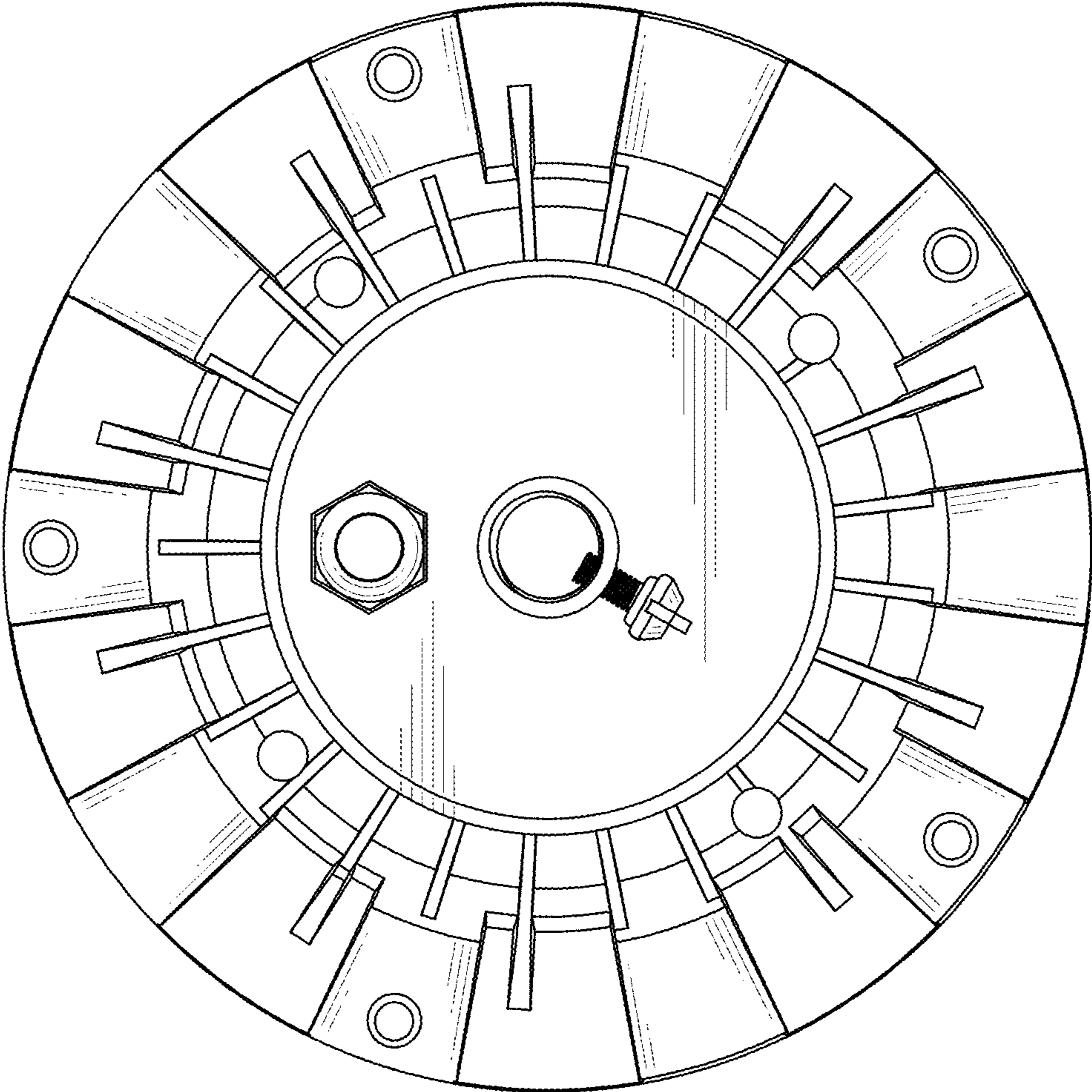


FIG. 31

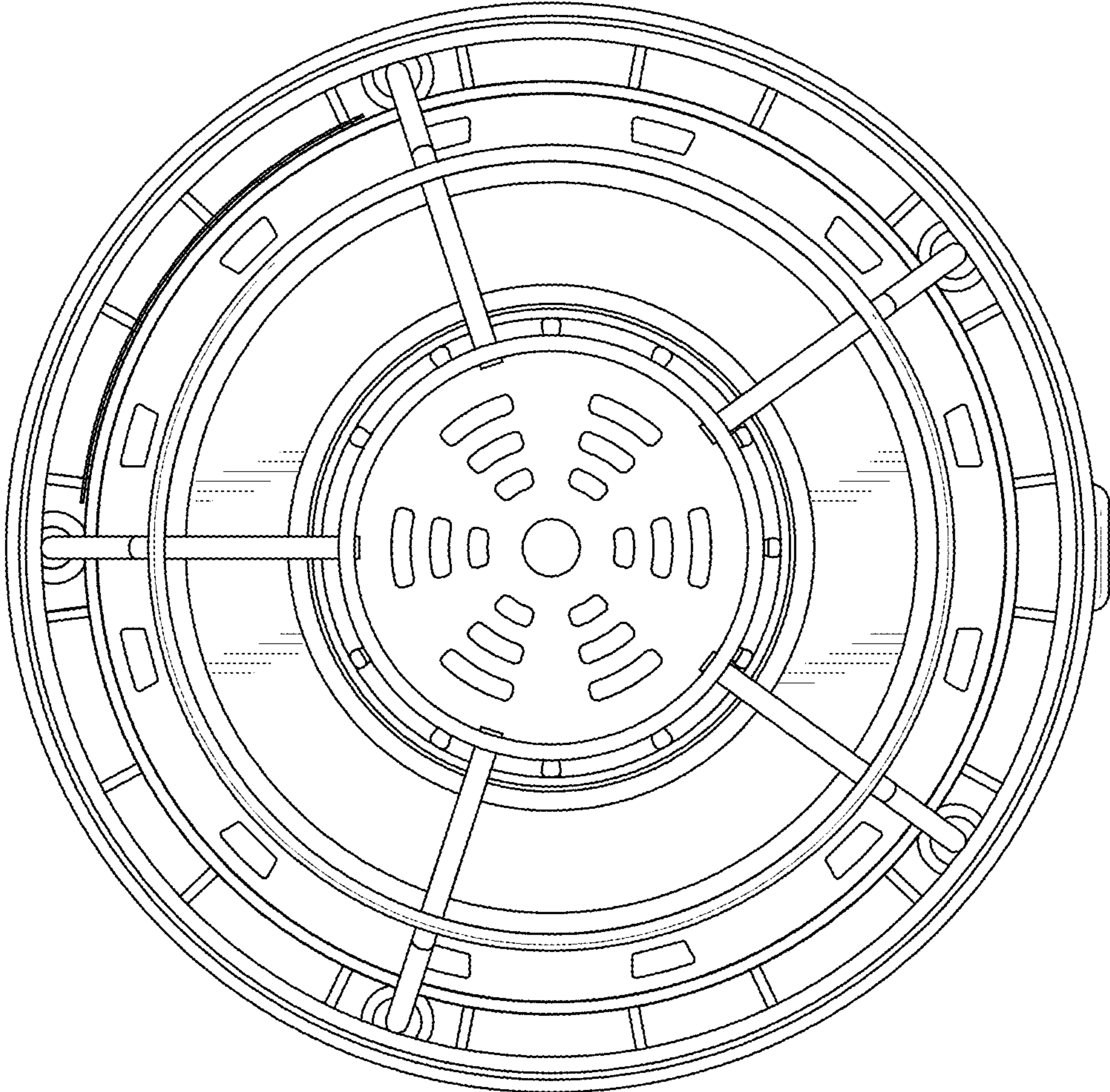


FIG. 32

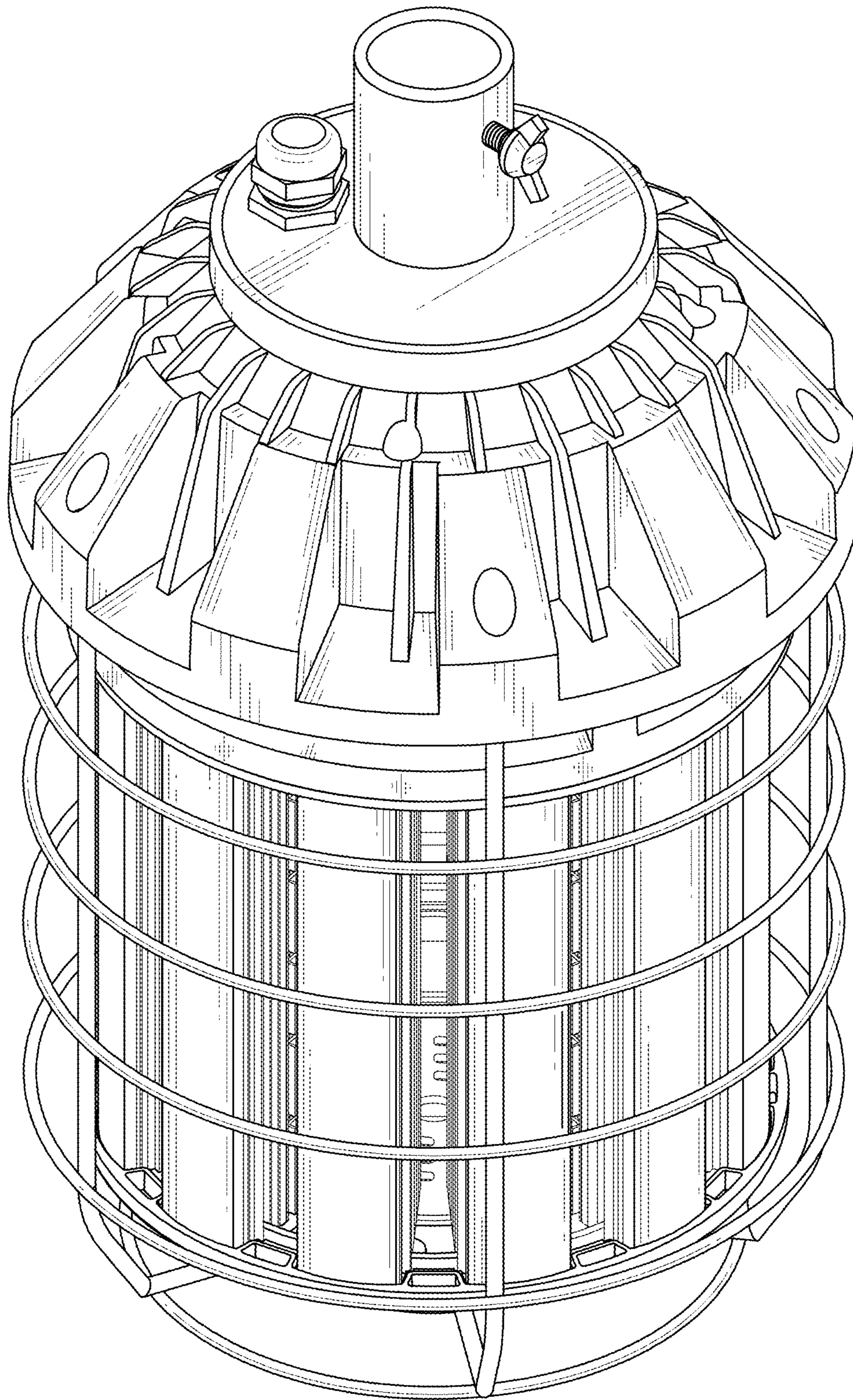


FIG. 33

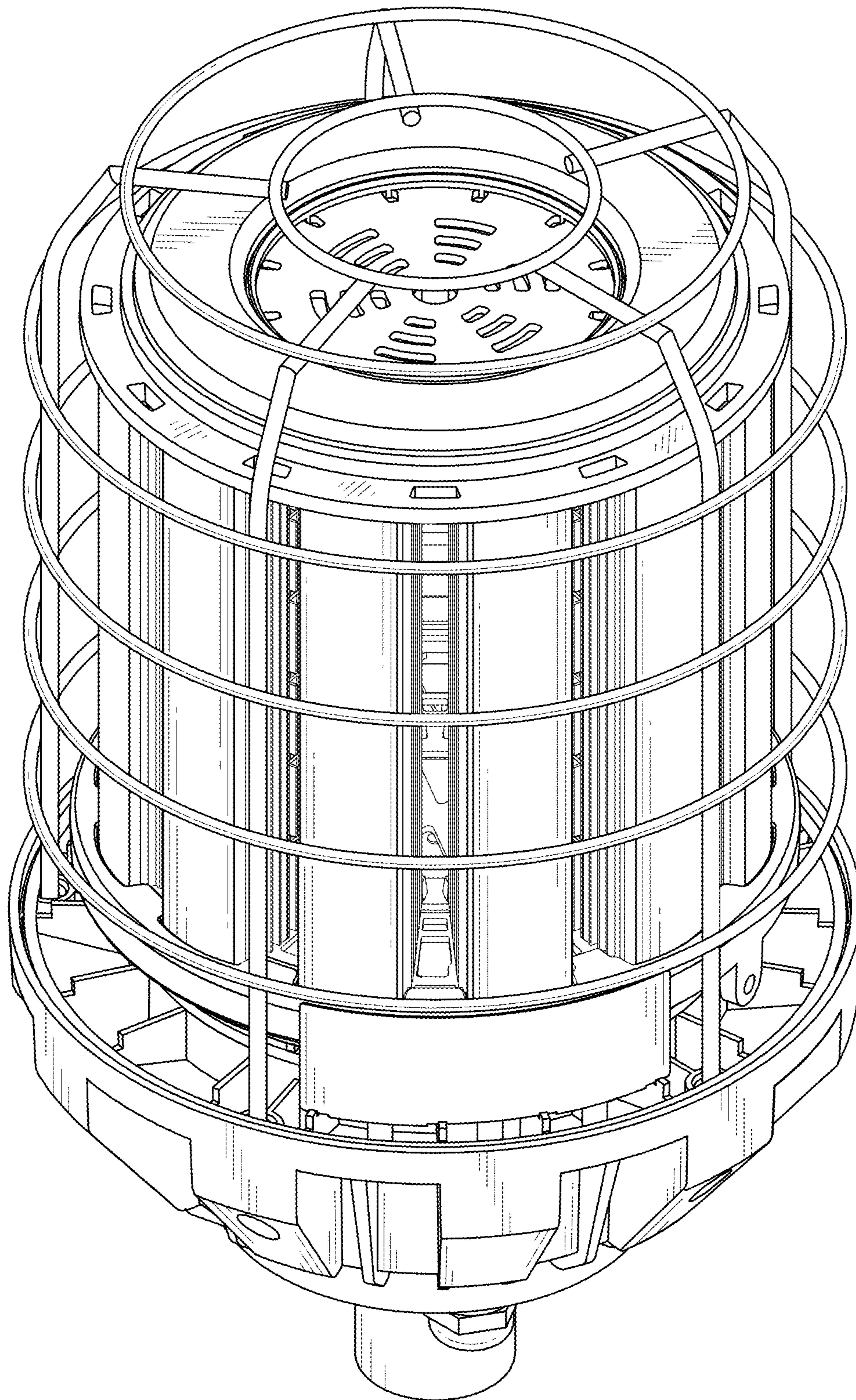


FIG. 34

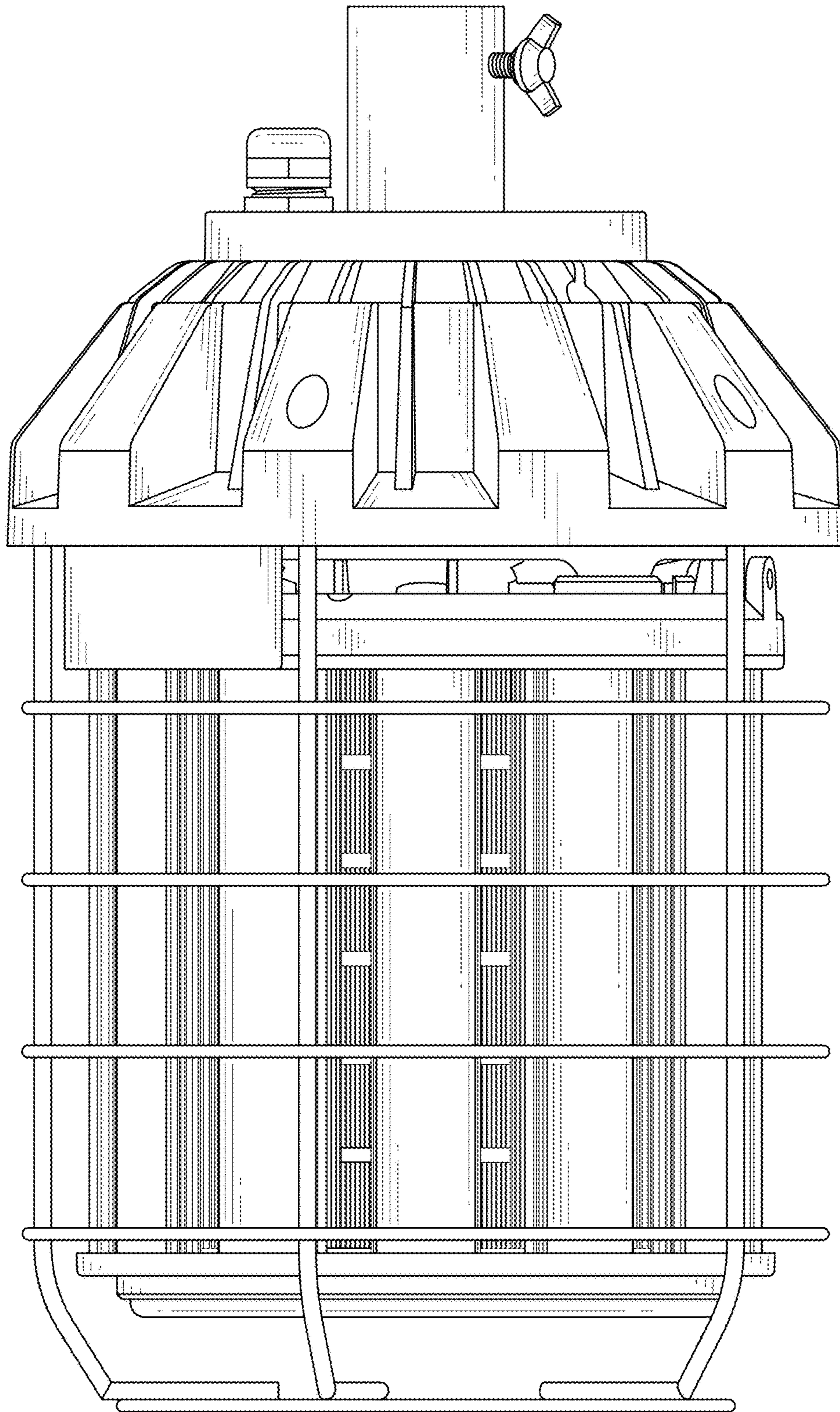


FIG. 35

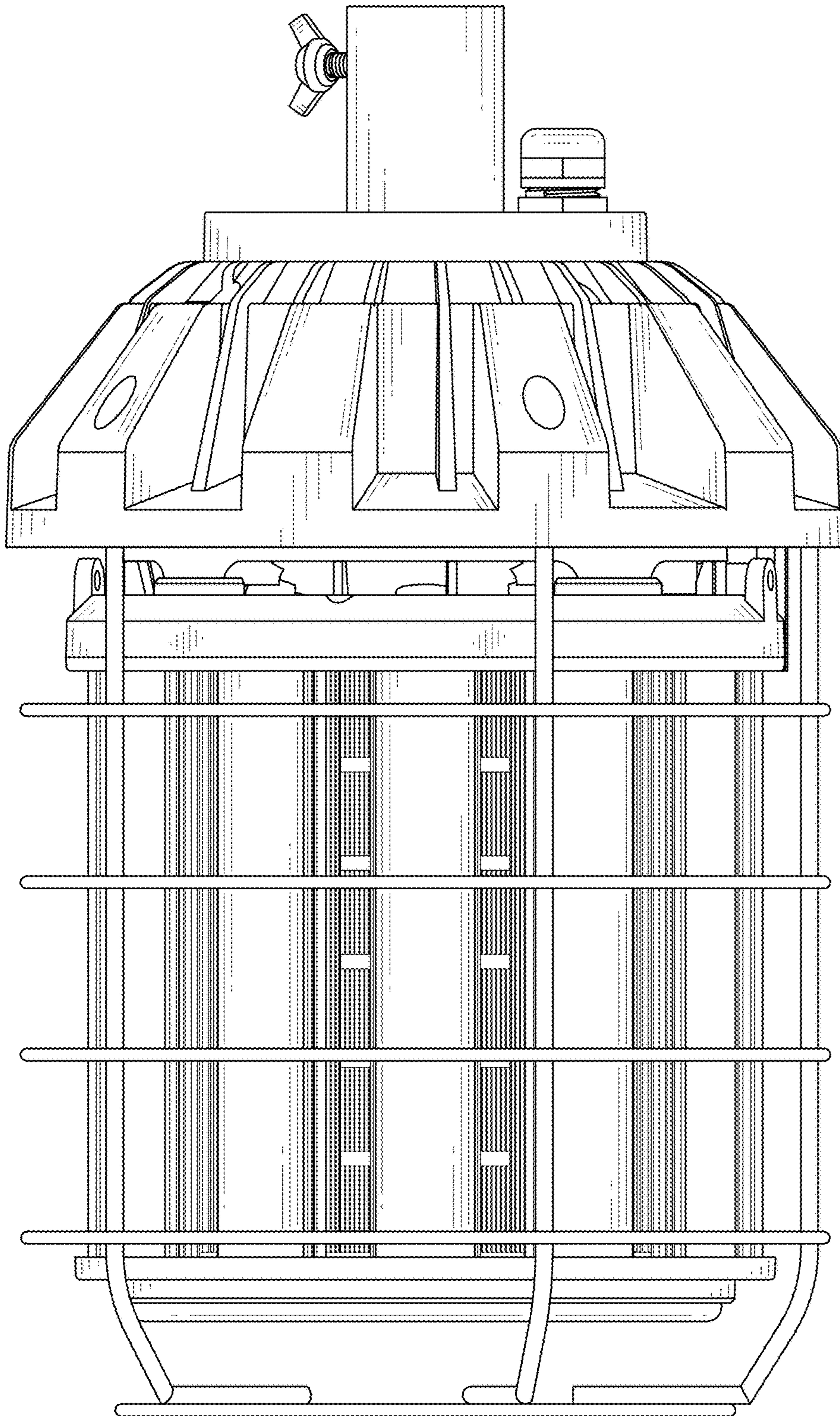


FIG. 36

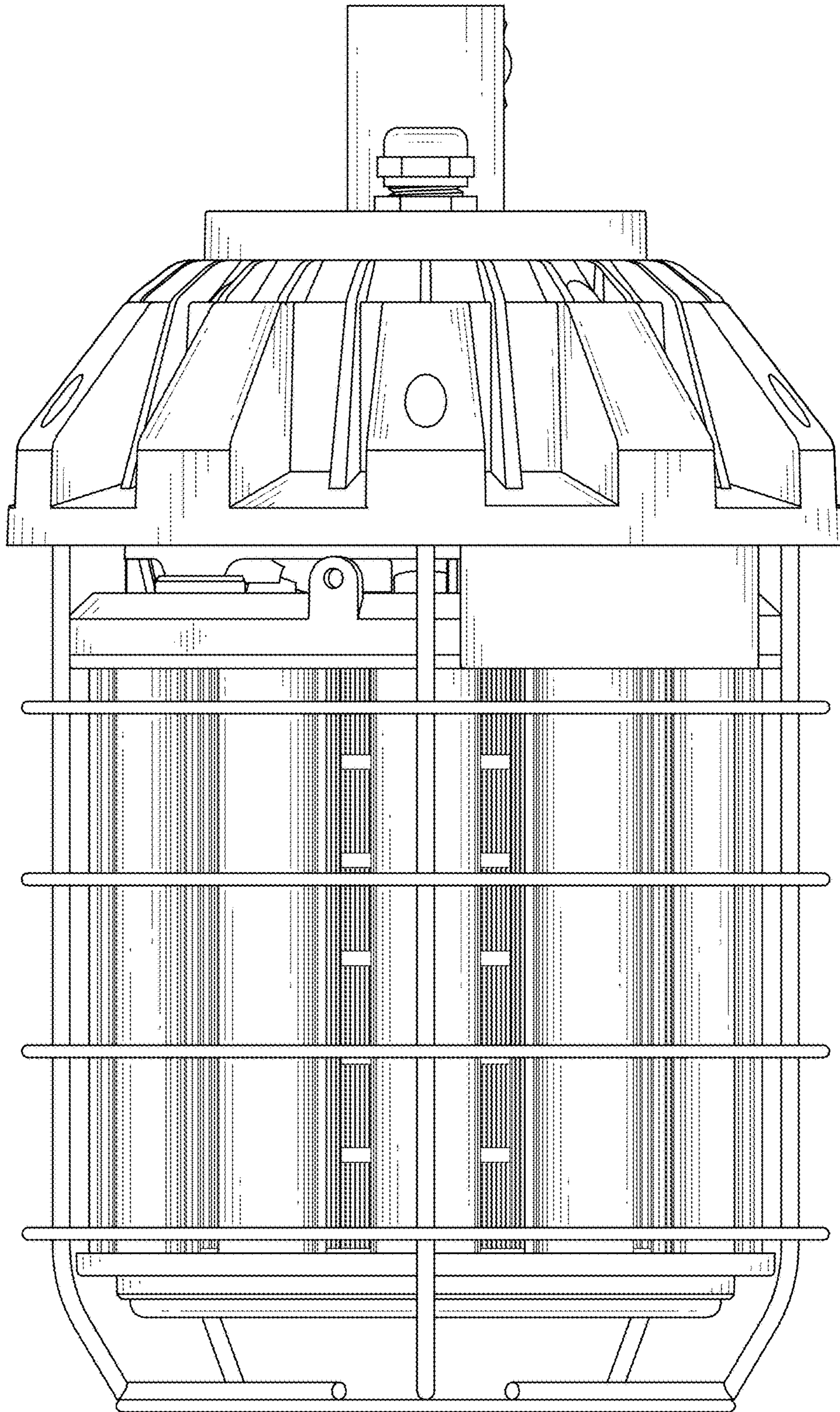


FIG. 37

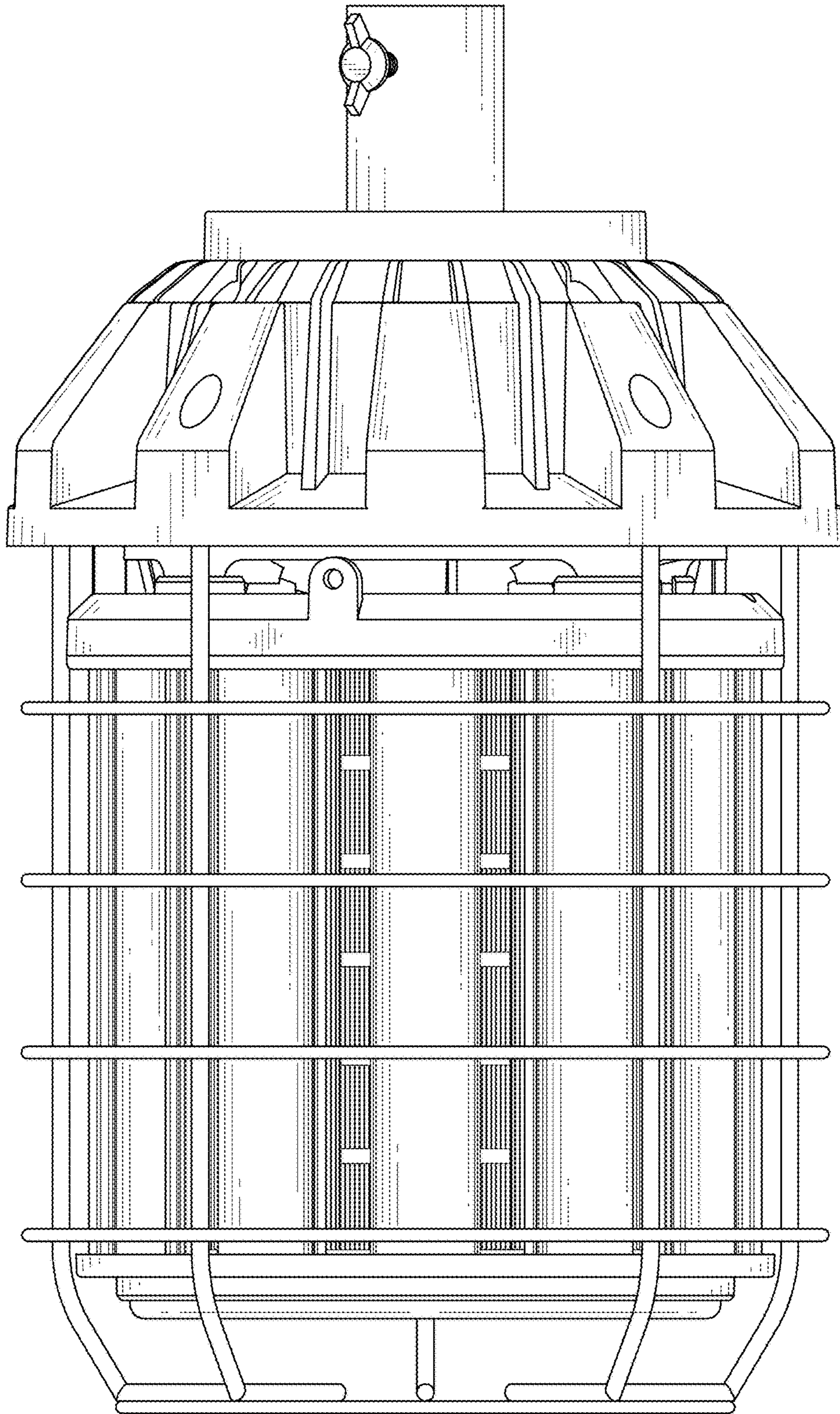


FIG. 38

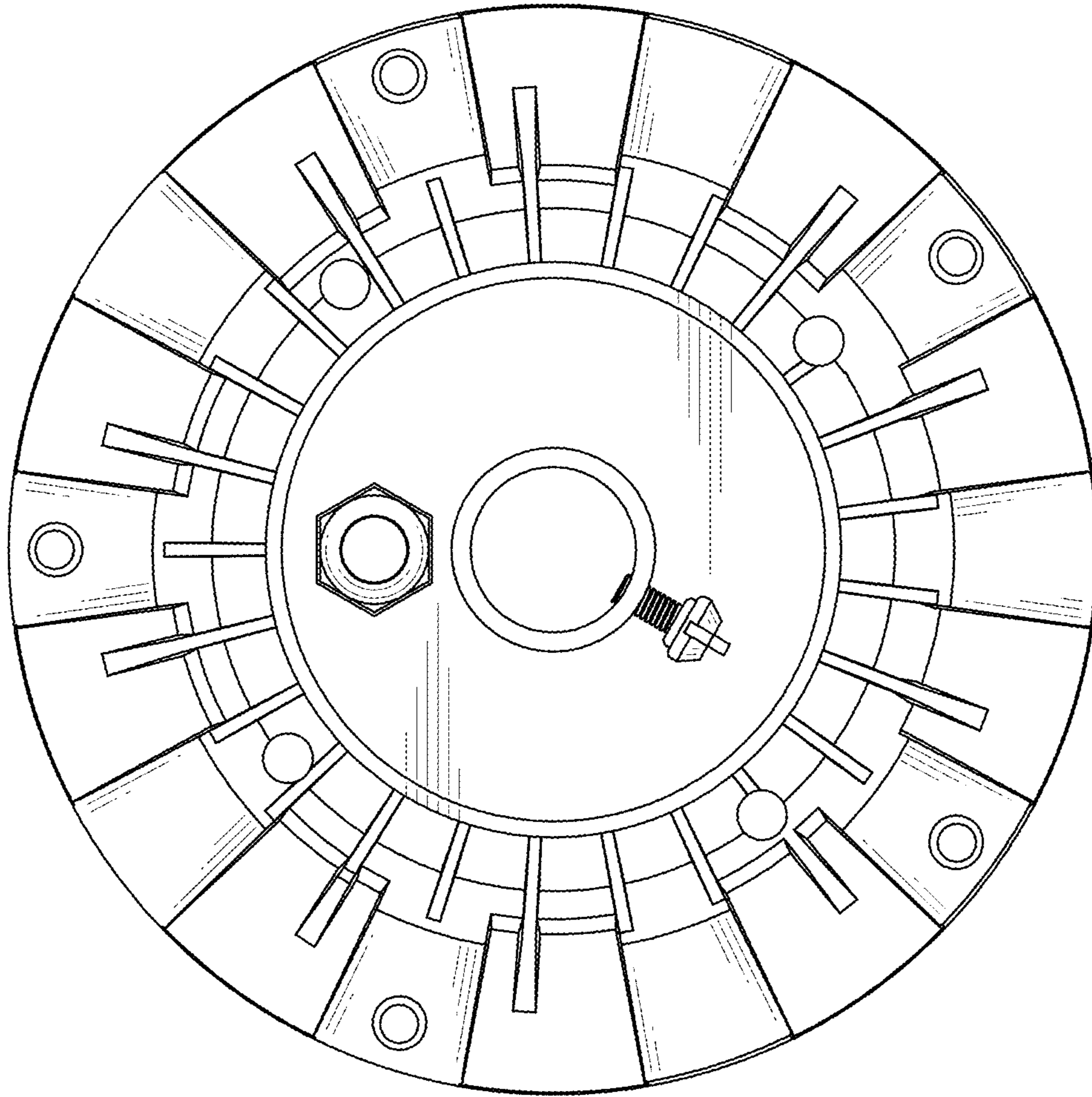


FIG. 39

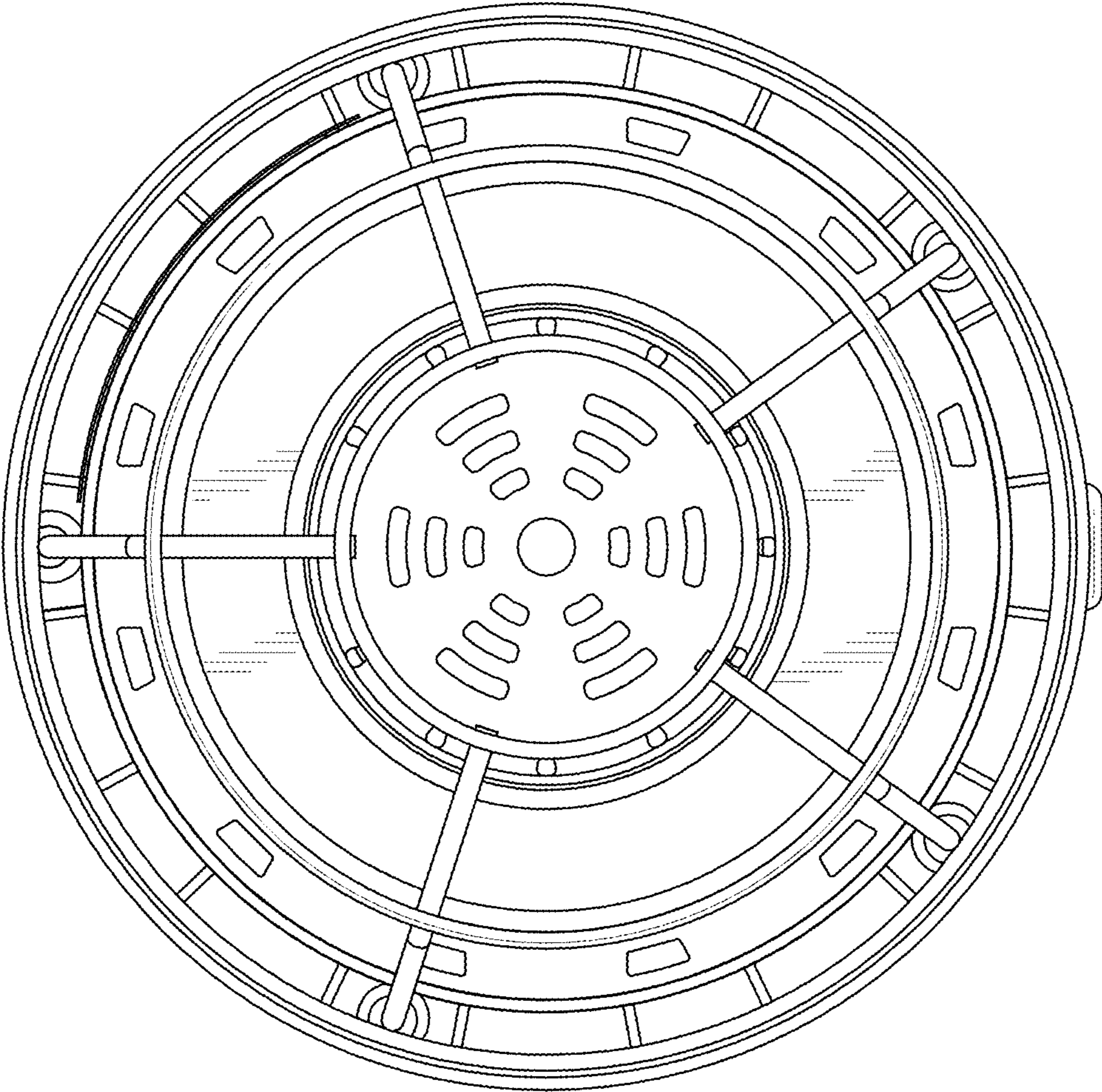


FIG. 40

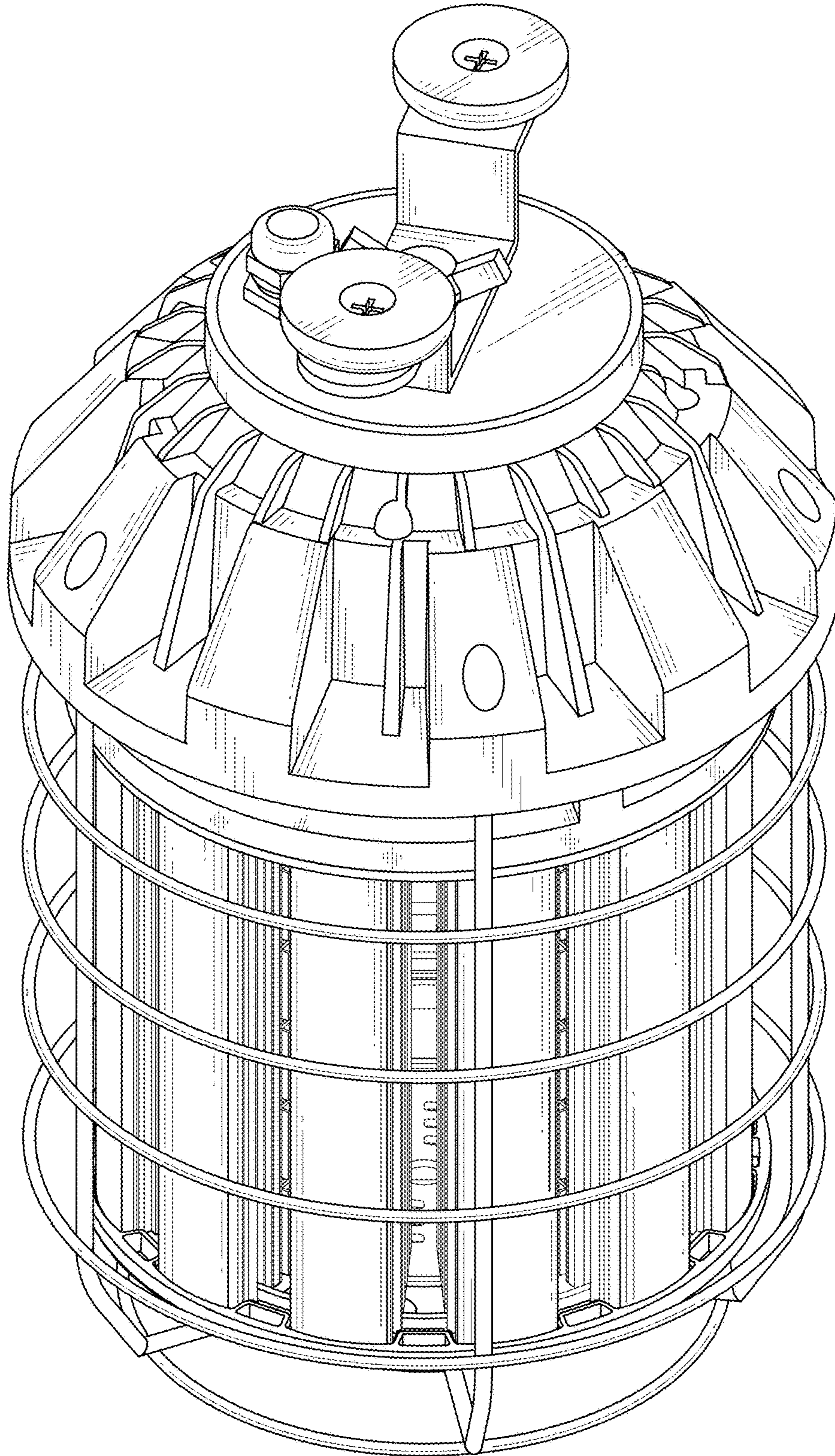


FIG. 41

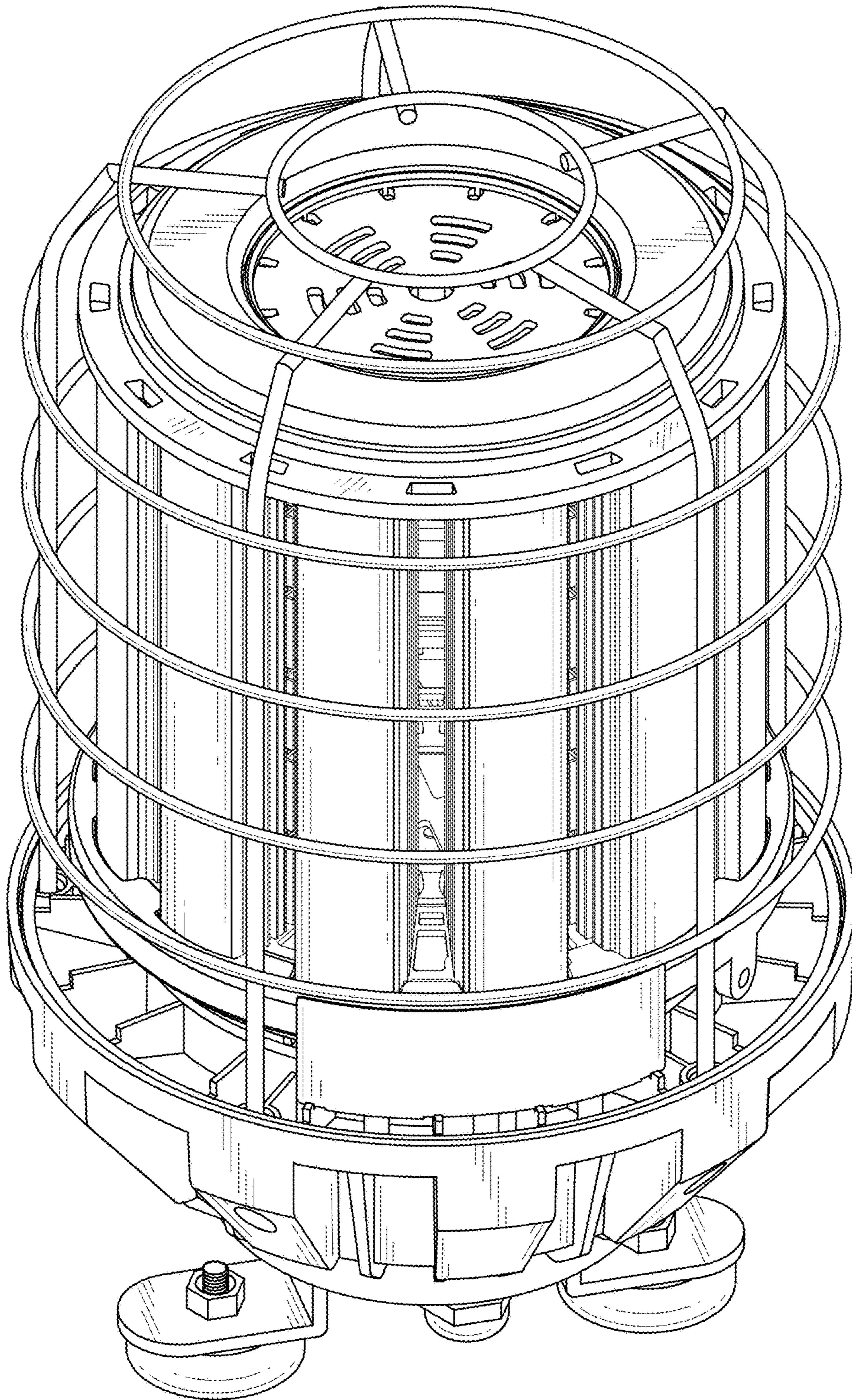


FIG. 42

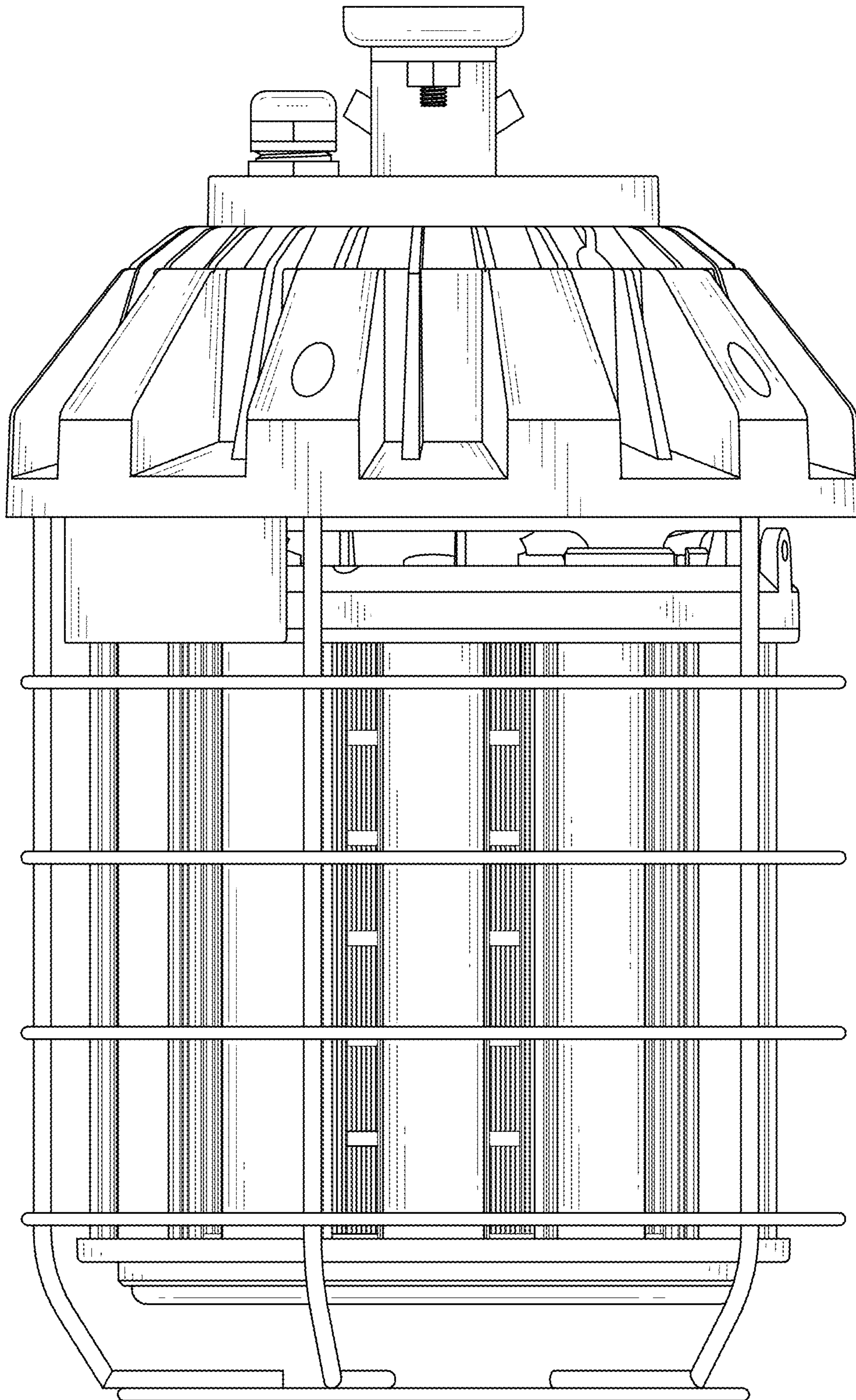


FIG. 43

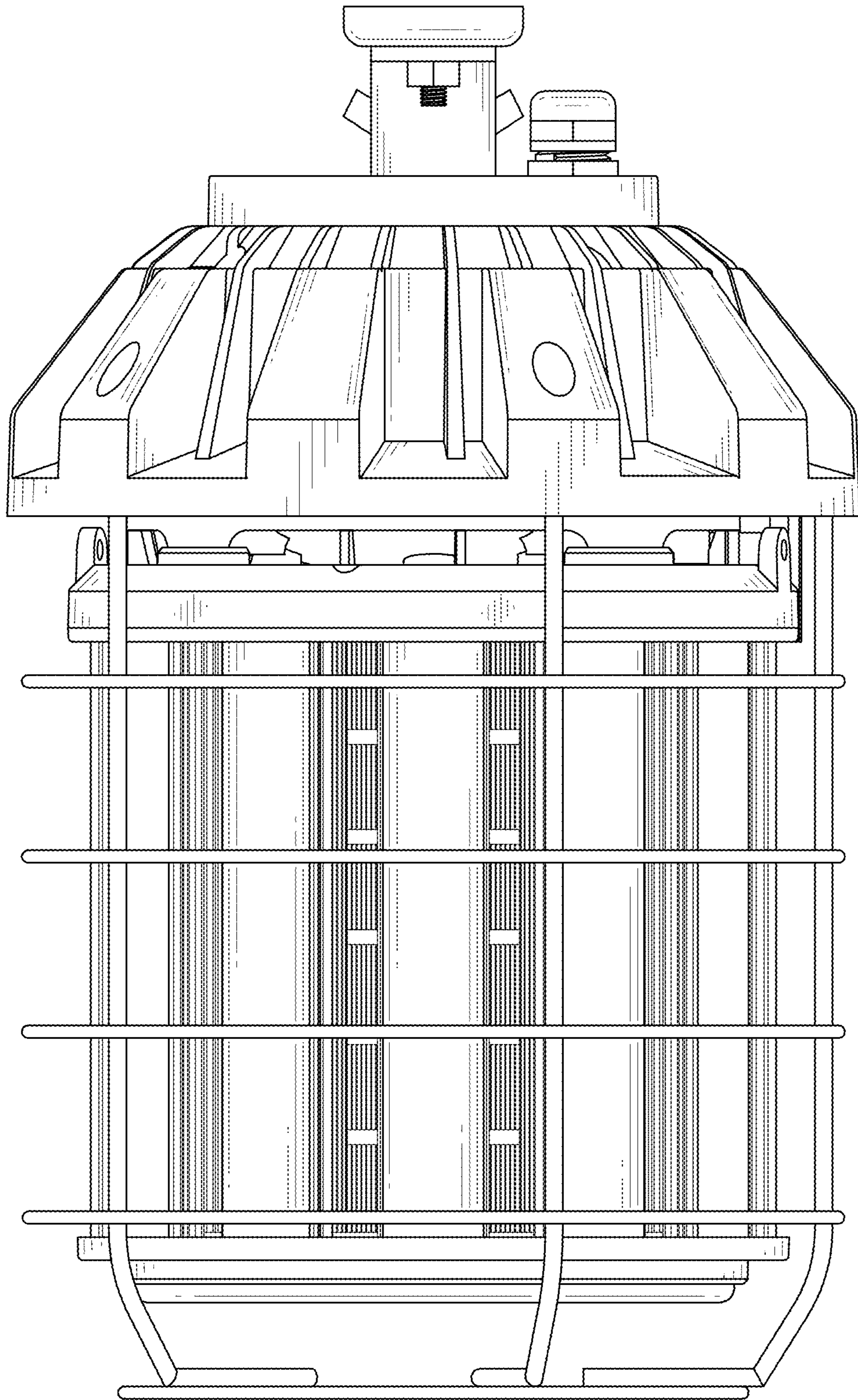


FIG. 44

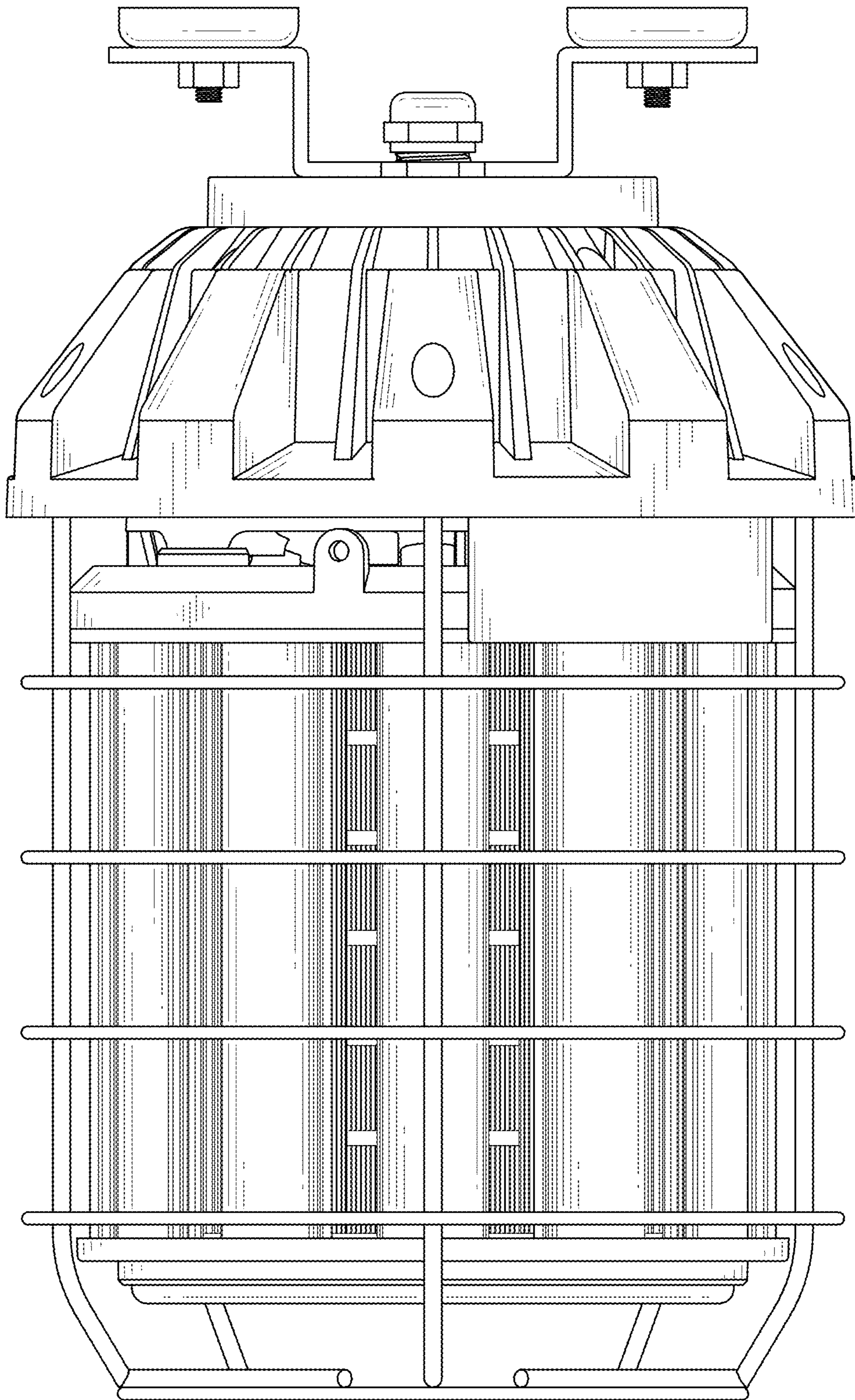


FIG. 45

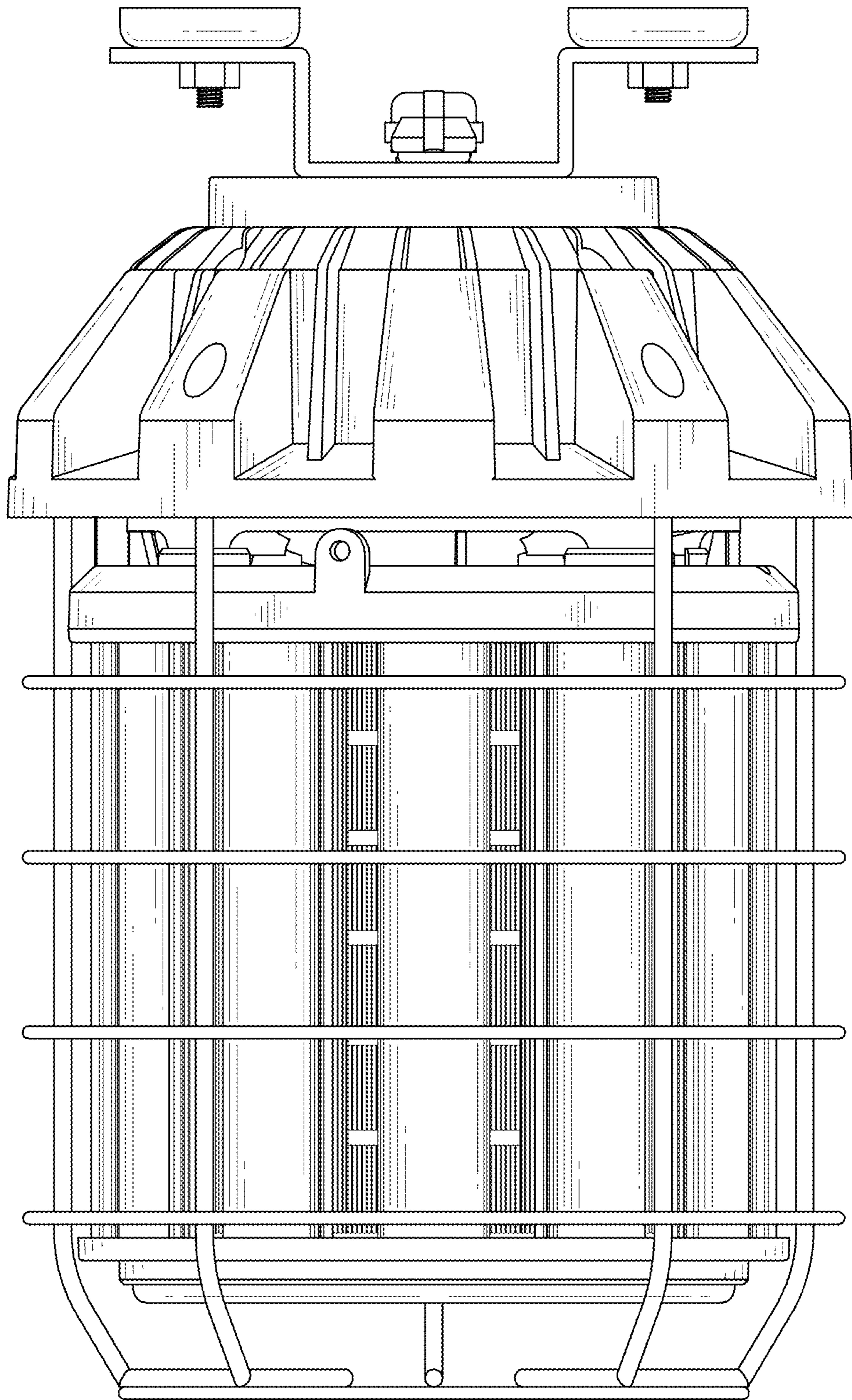


FIG. 46

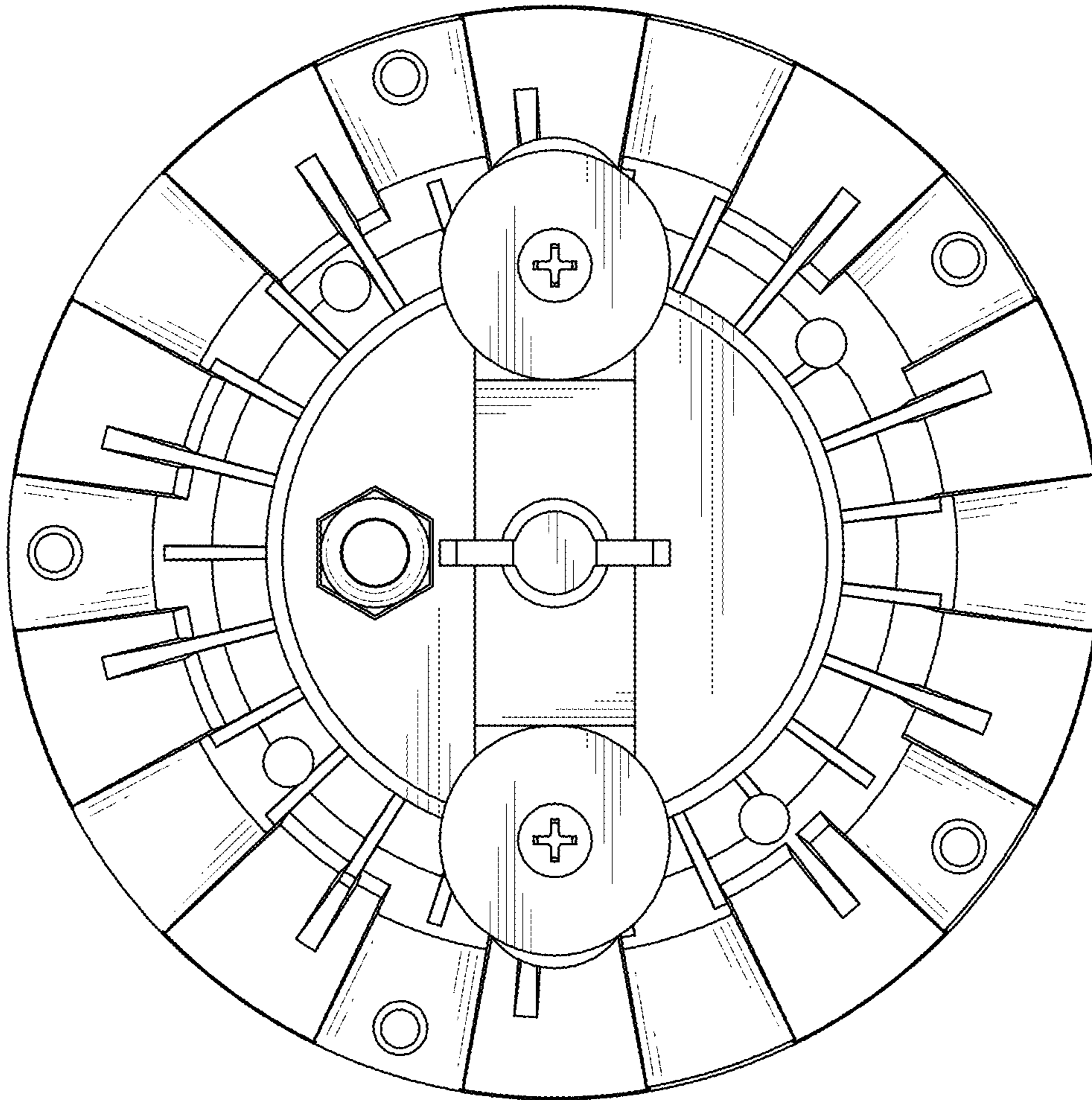


FIG. 47

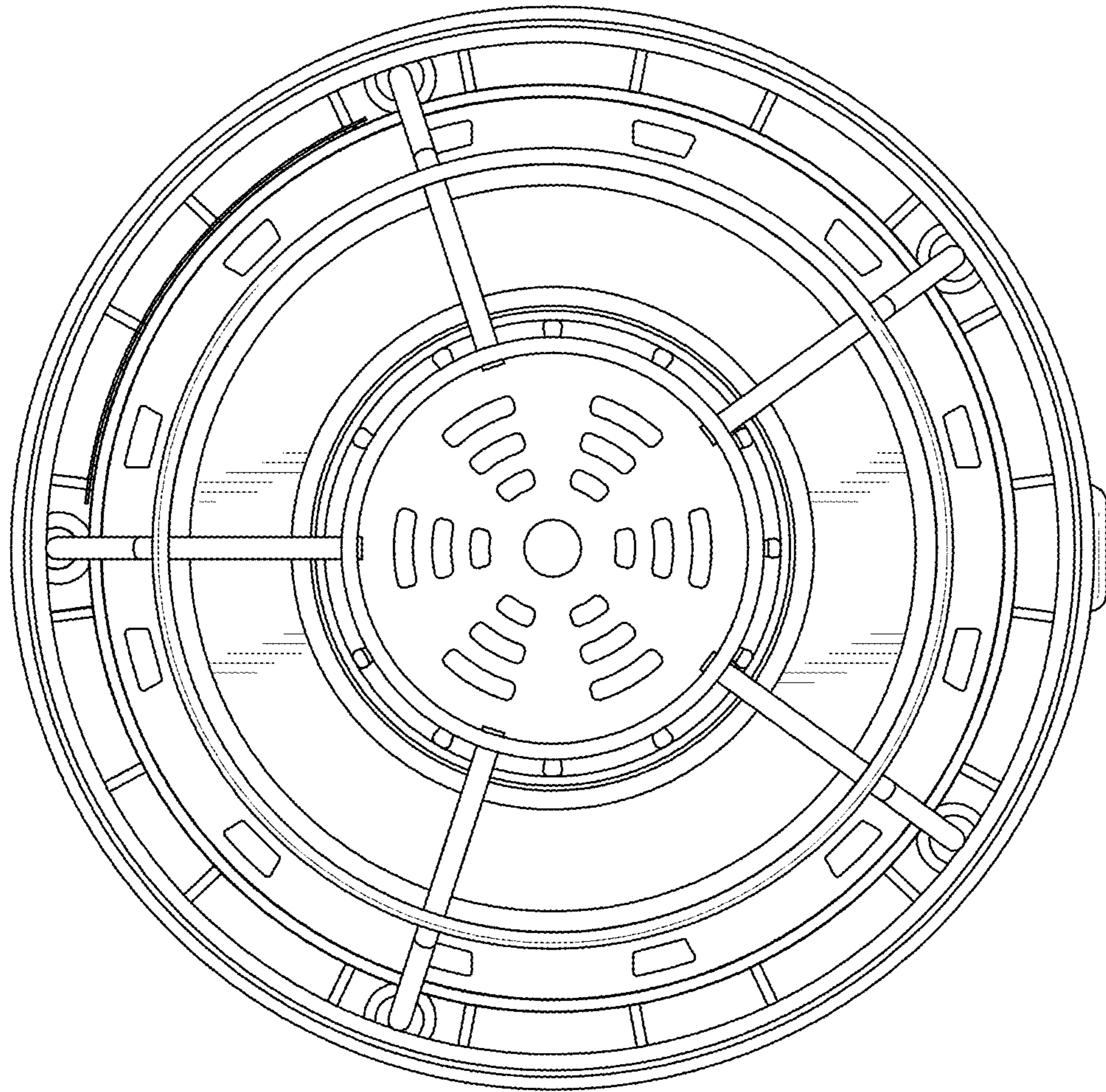


FIG. 48

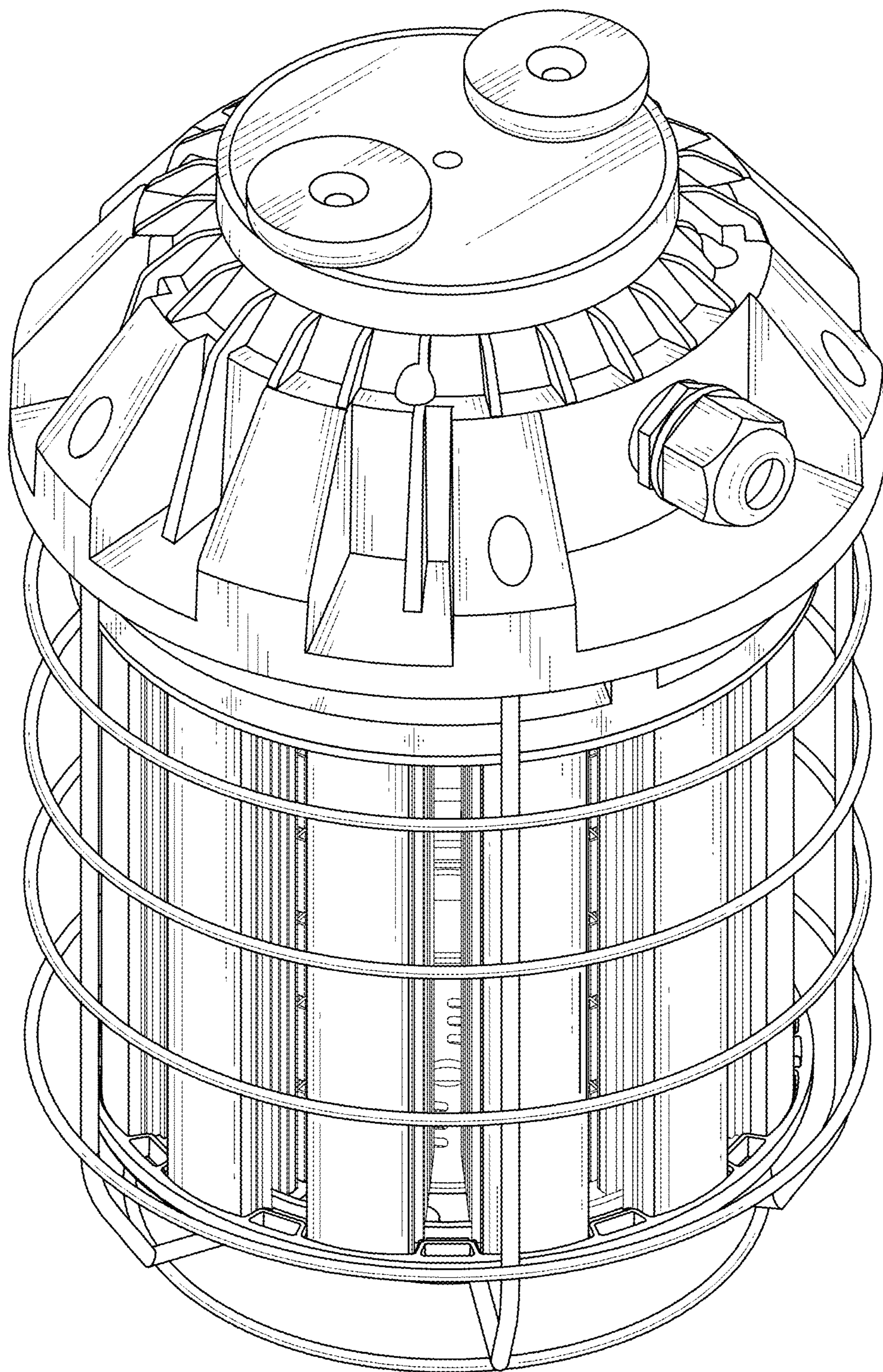


FIG. 49

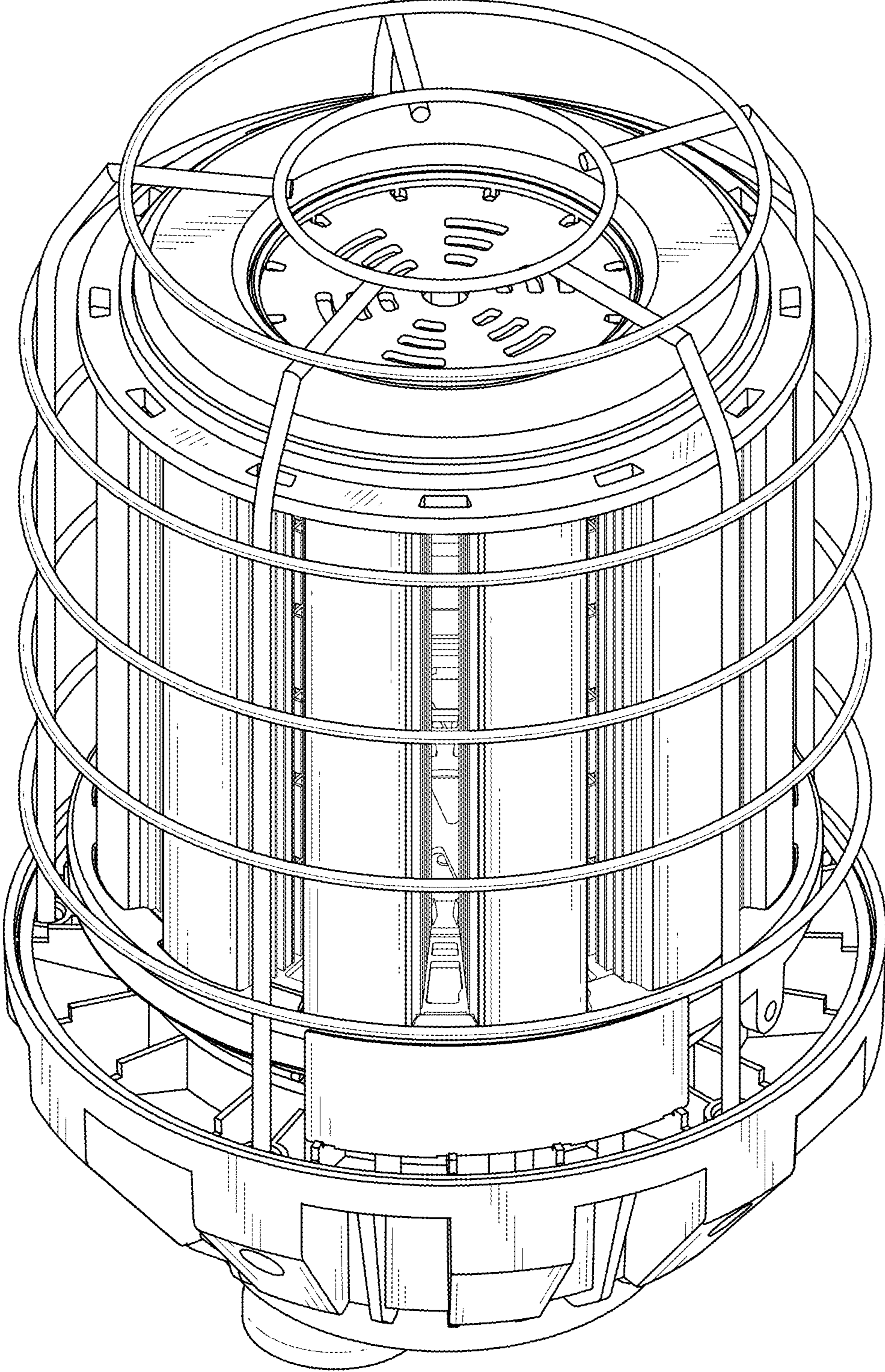


FIG. 50

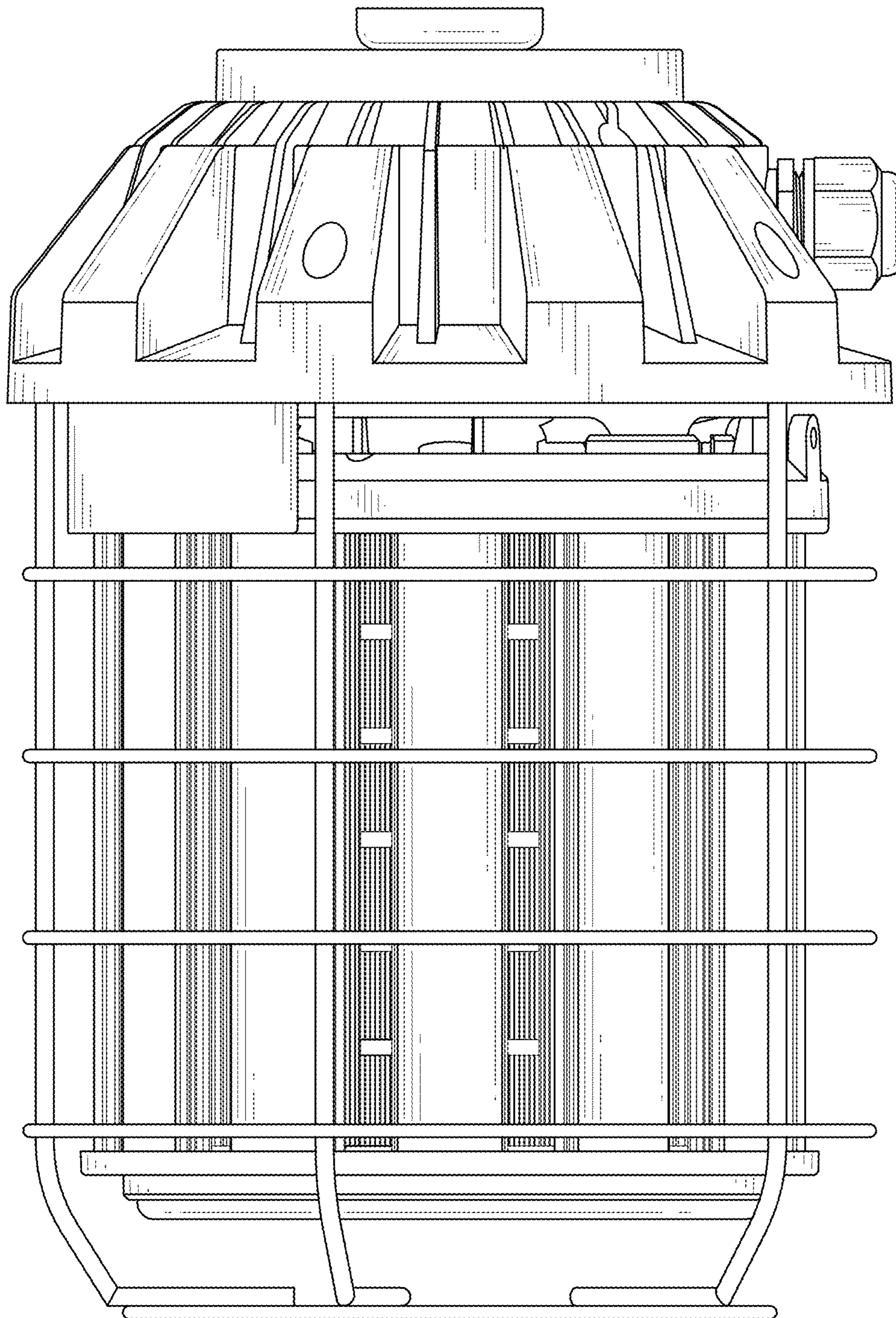


FIG. 51

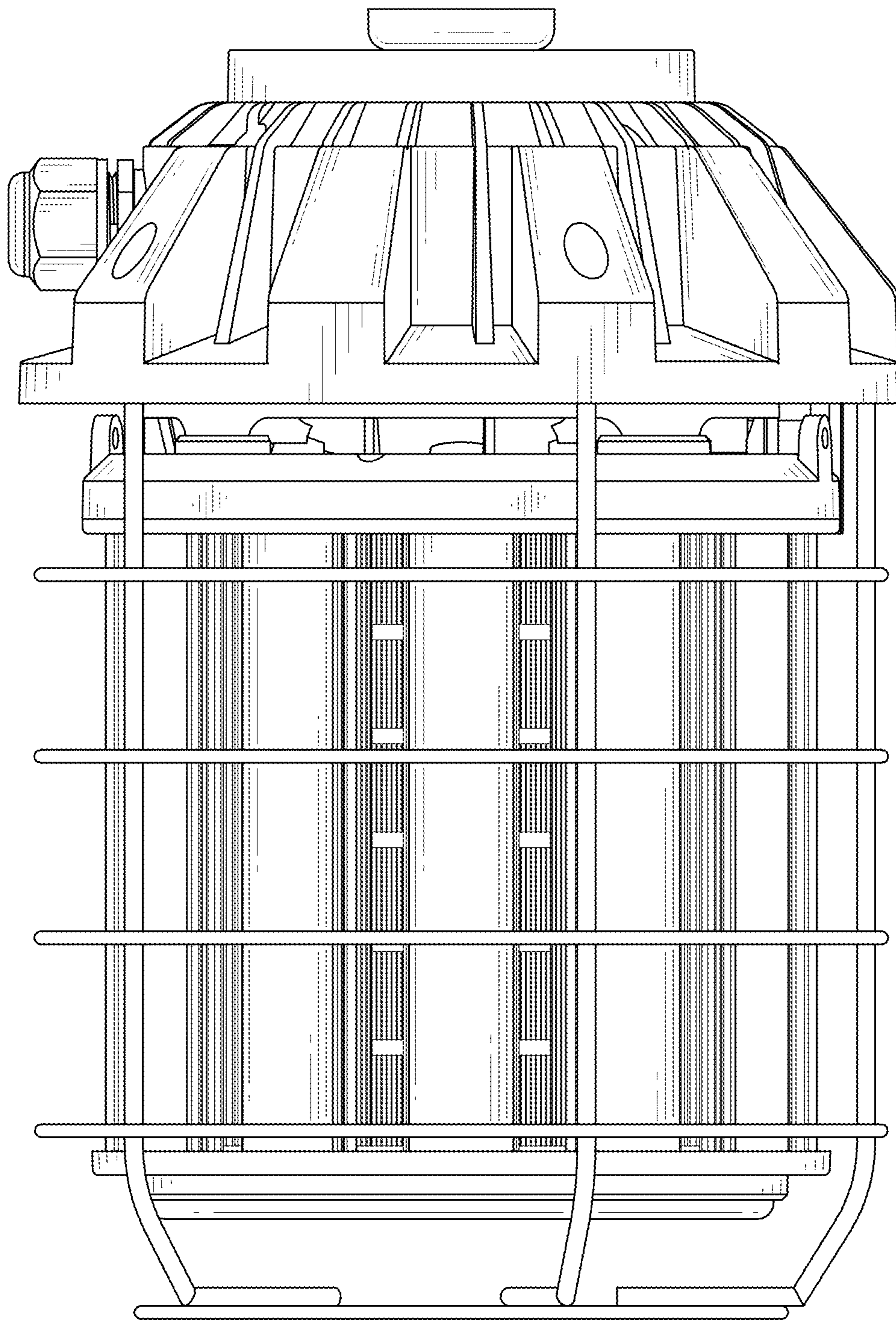


FIG. 52

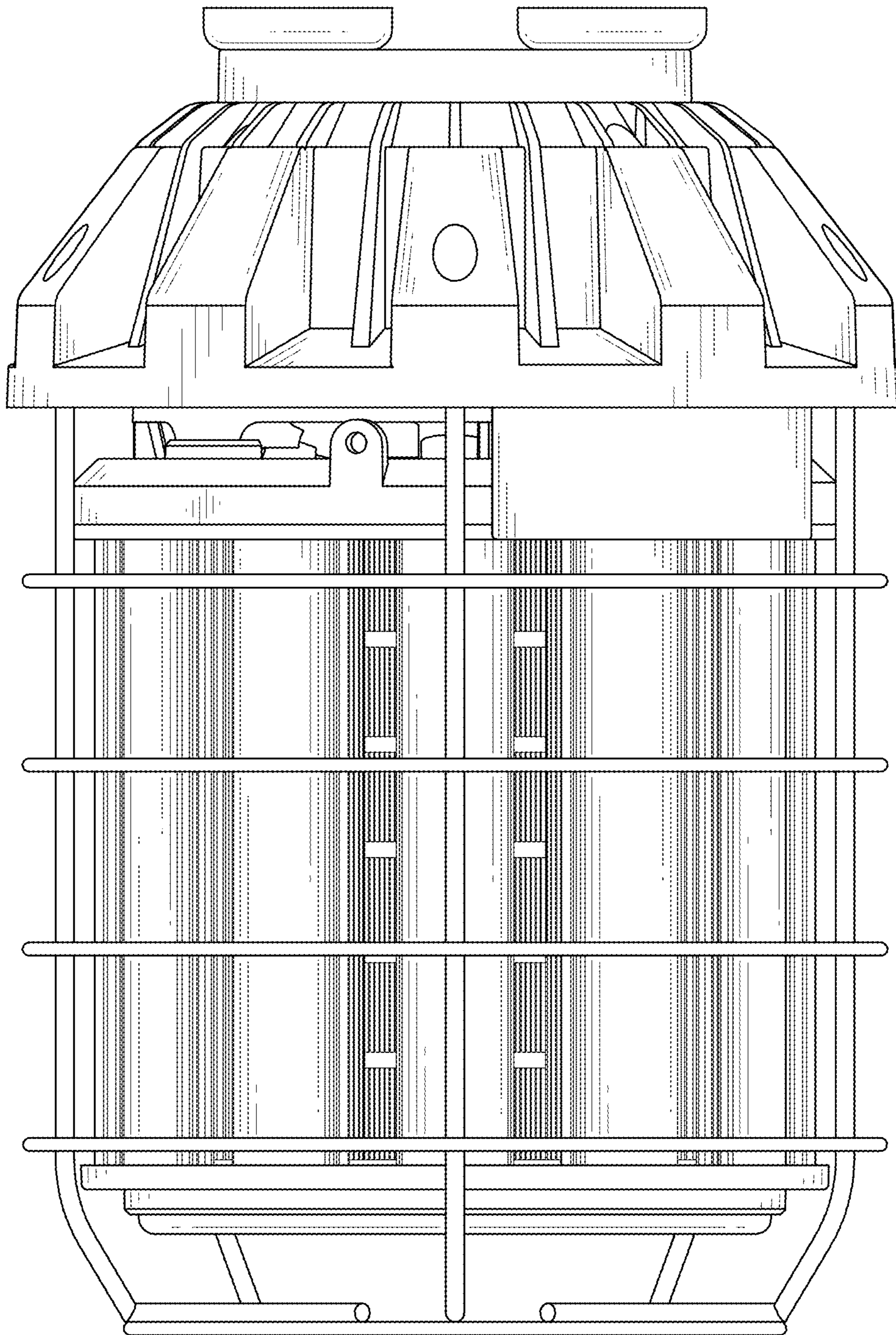


FIG. 53

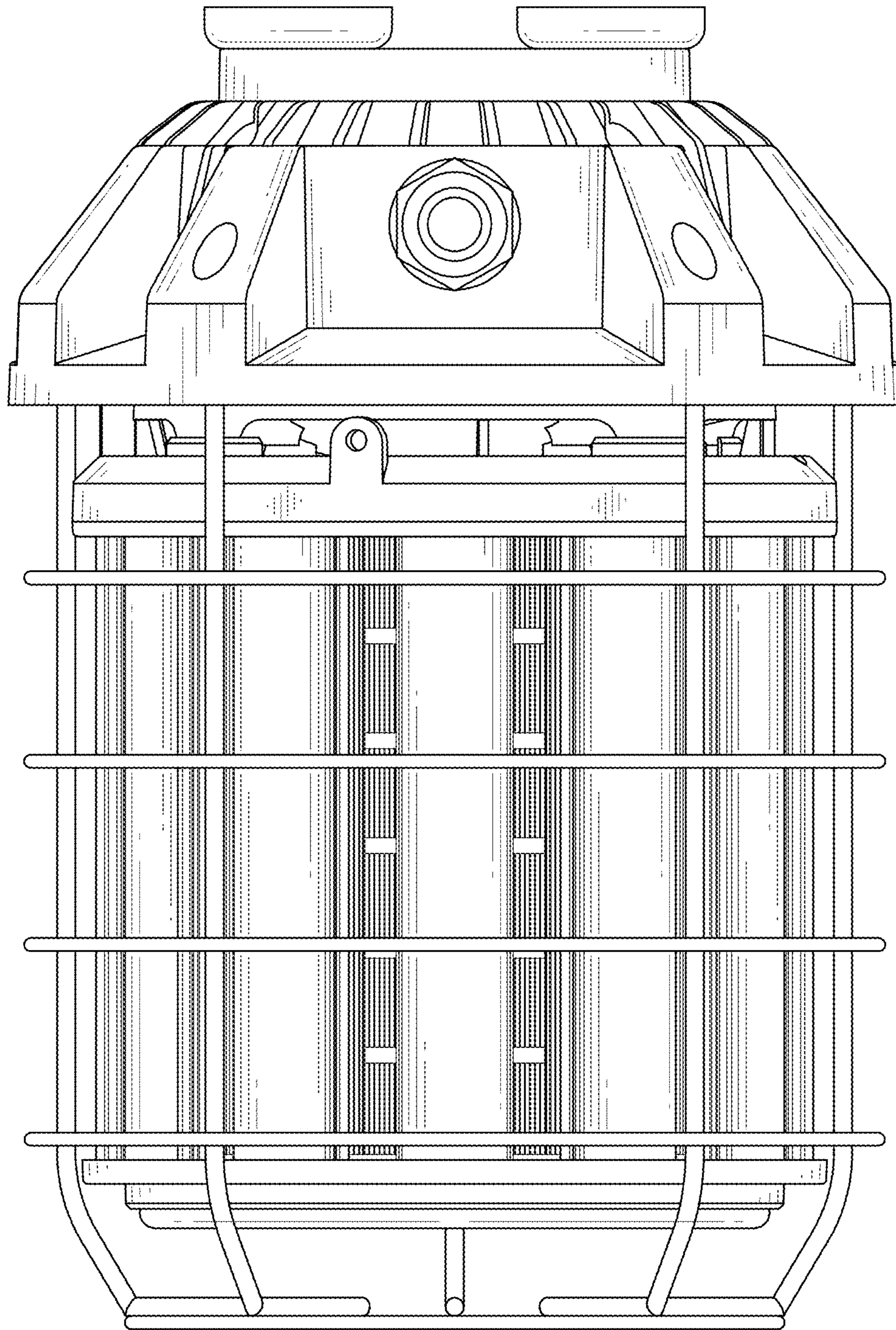


FIG. 54

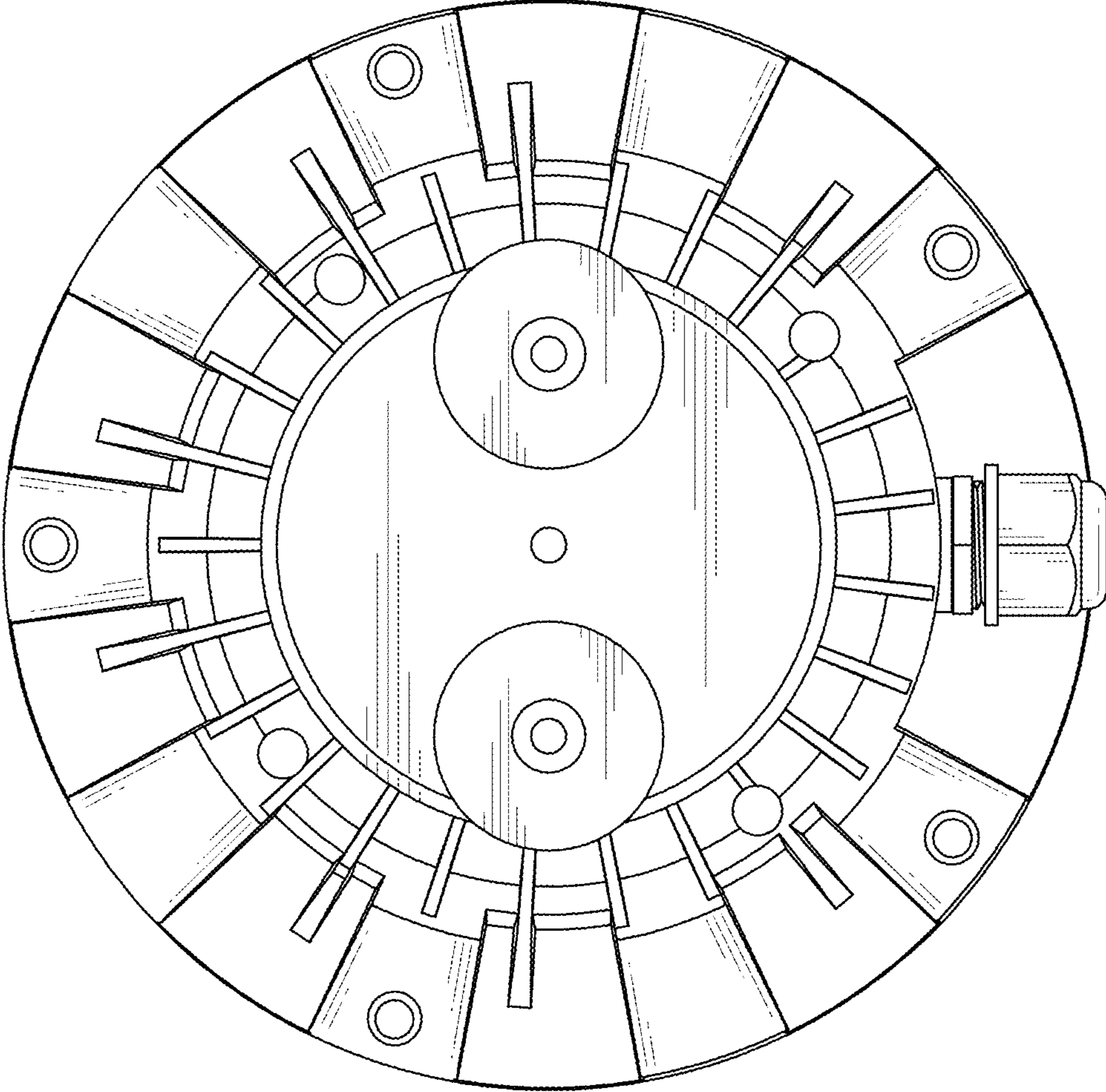


FIG. 55

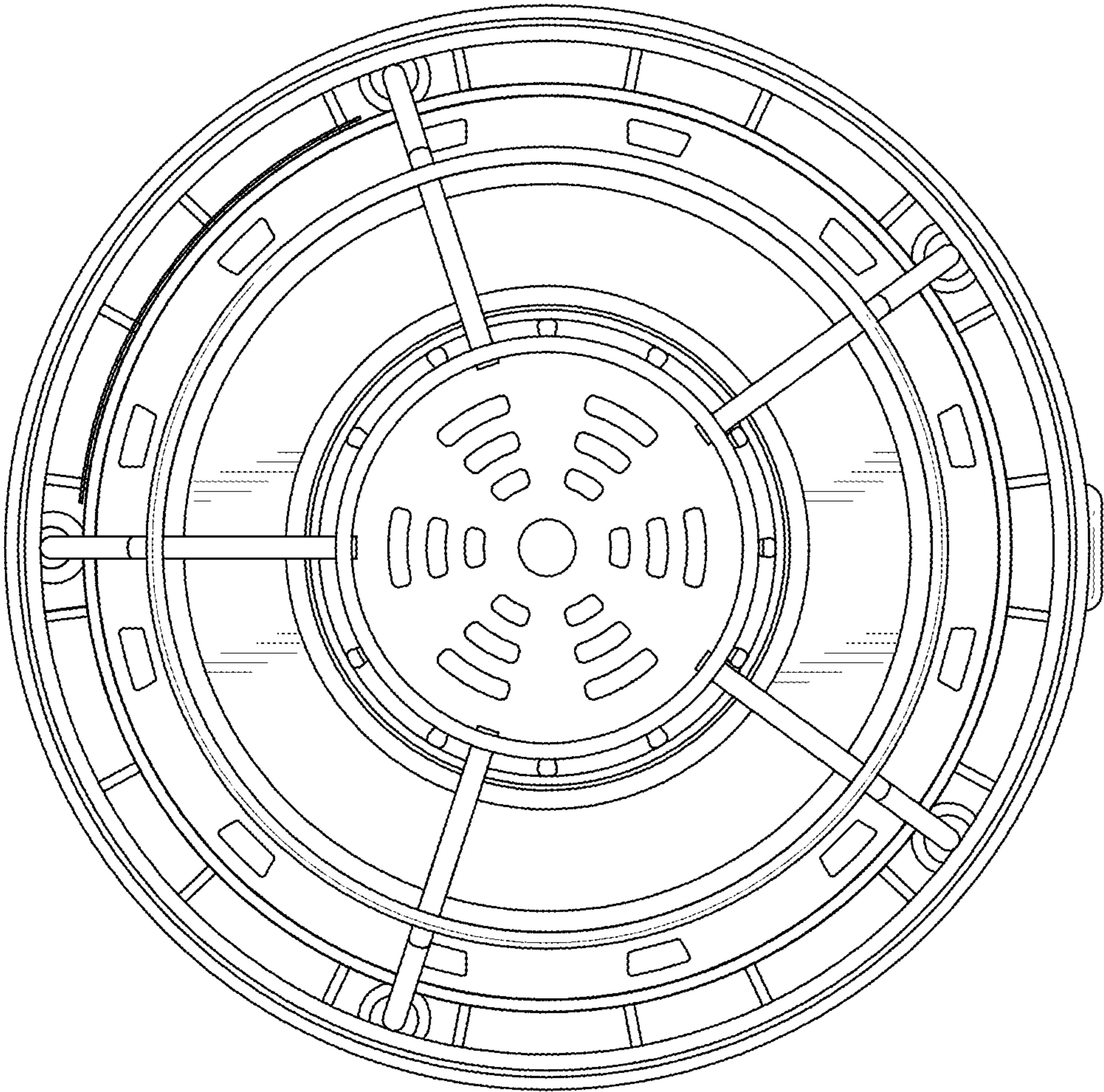


FIG. 56

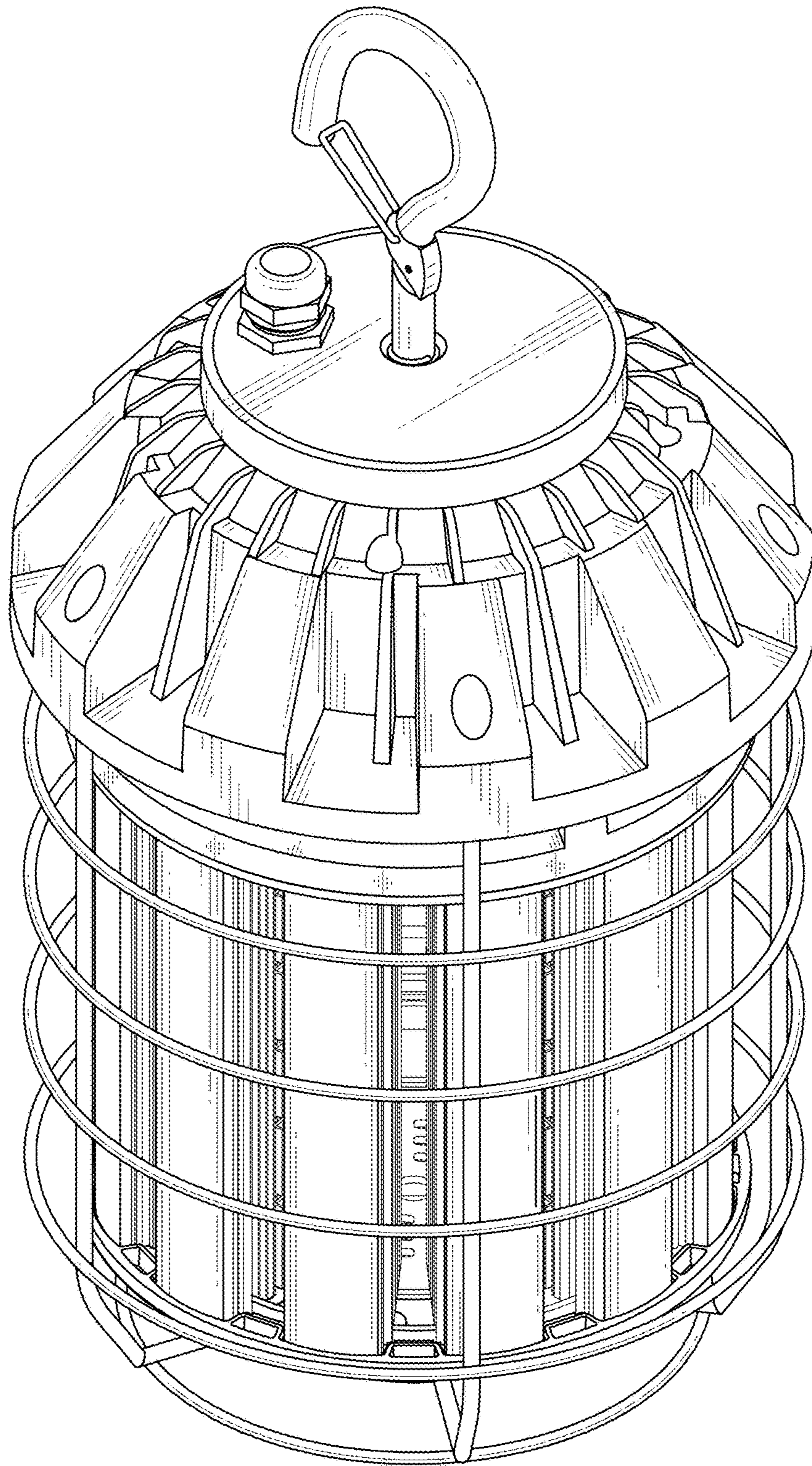


FIG. 57

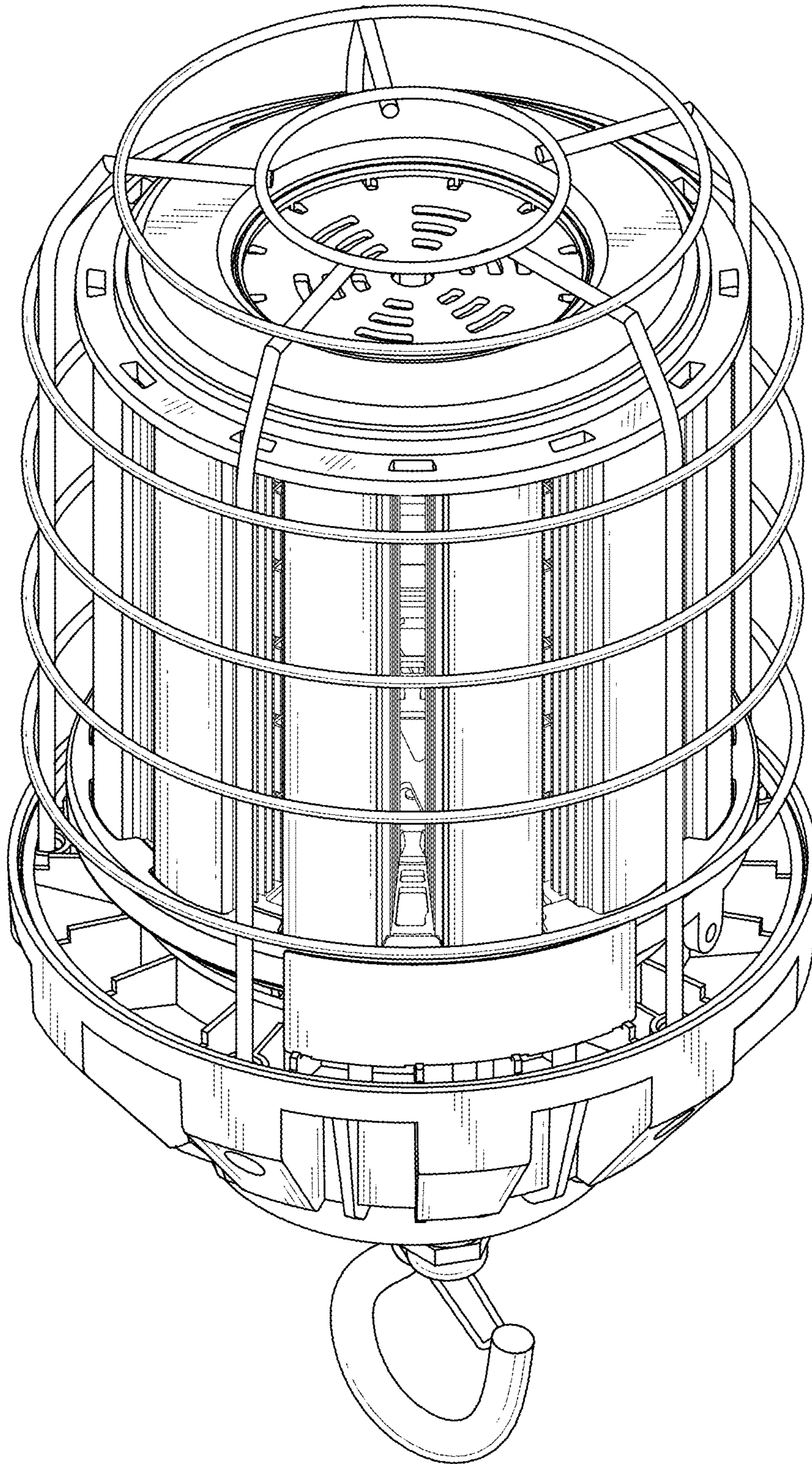


FIG. 58

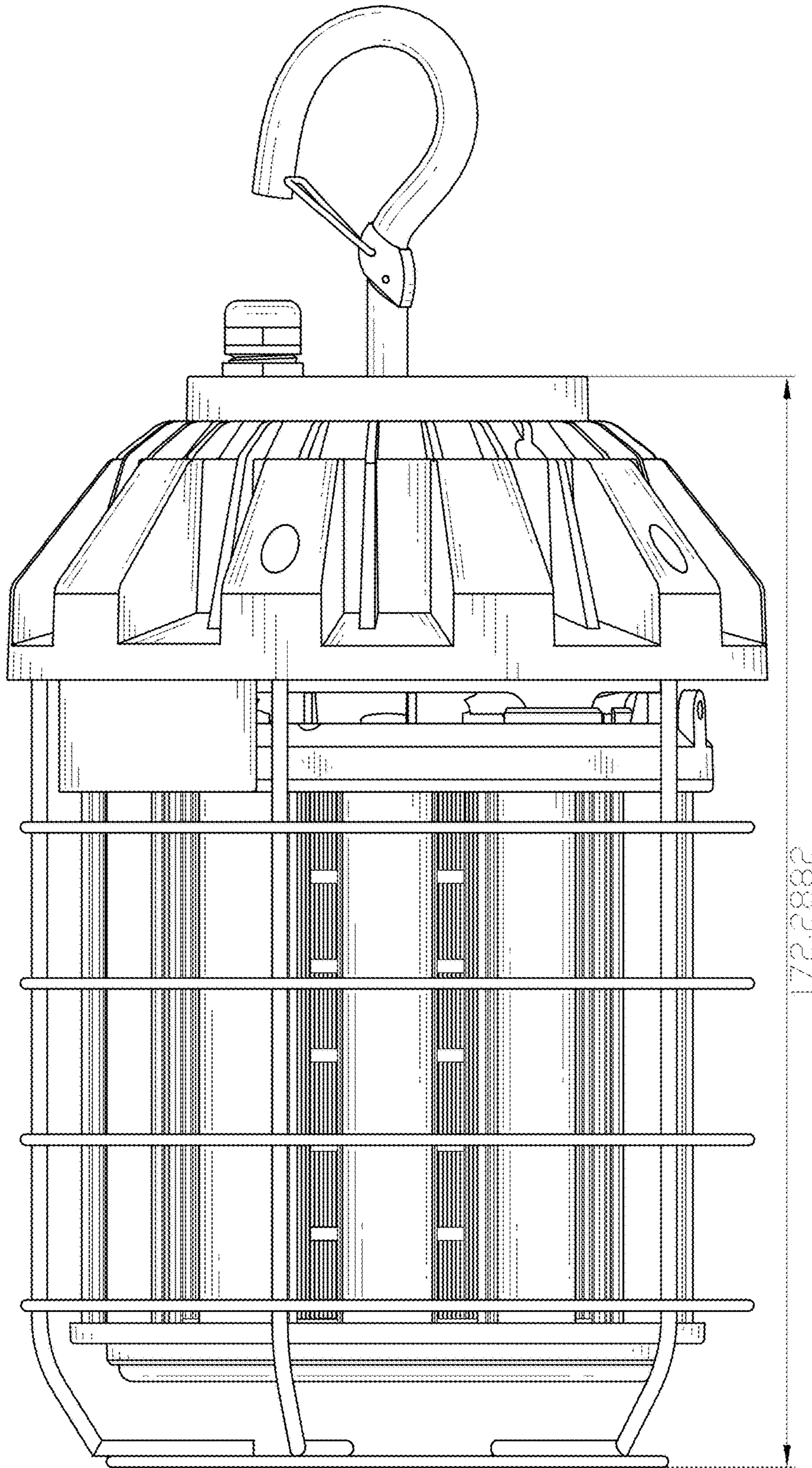


FIG. 59

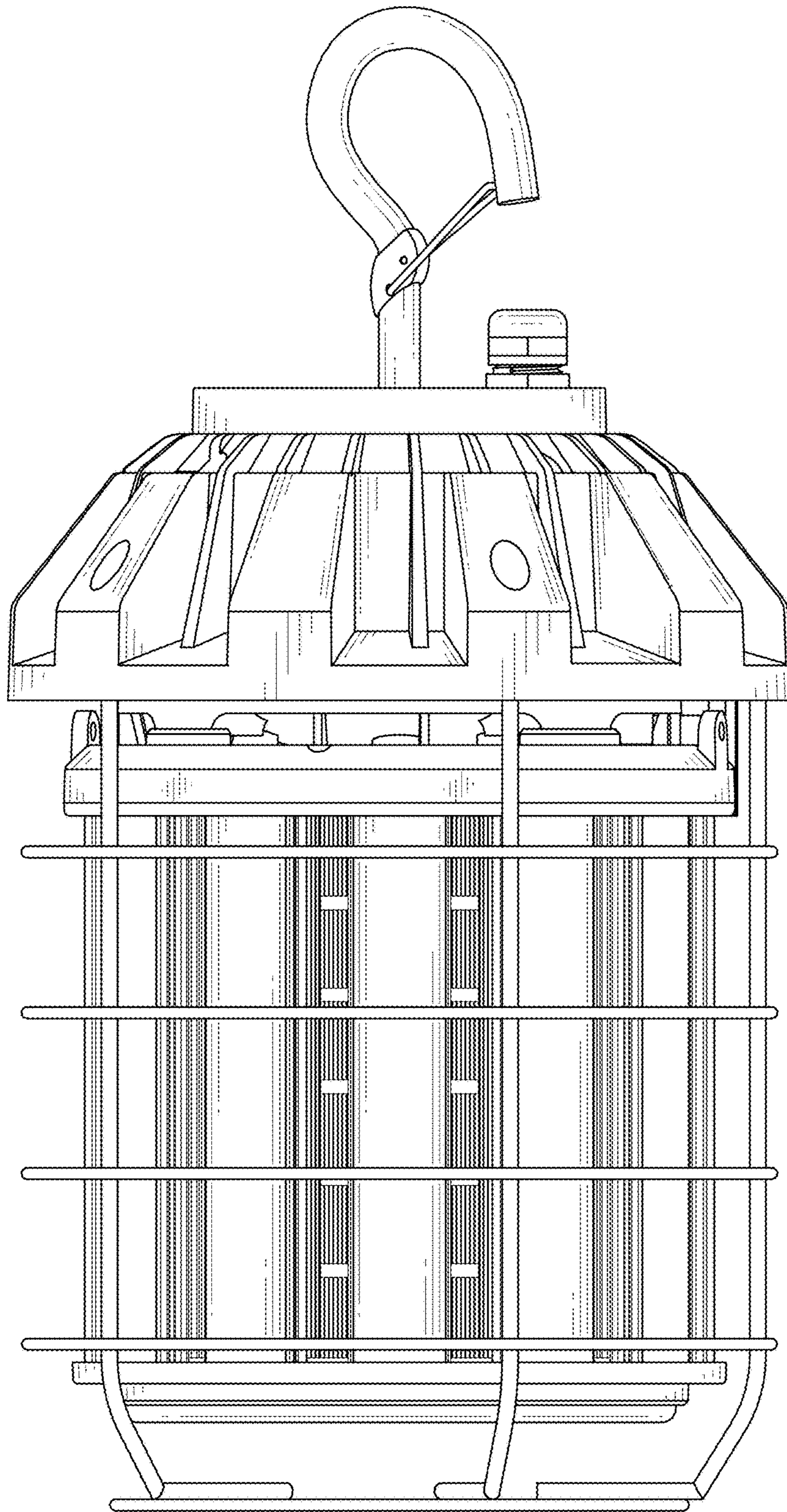


FIG. 60

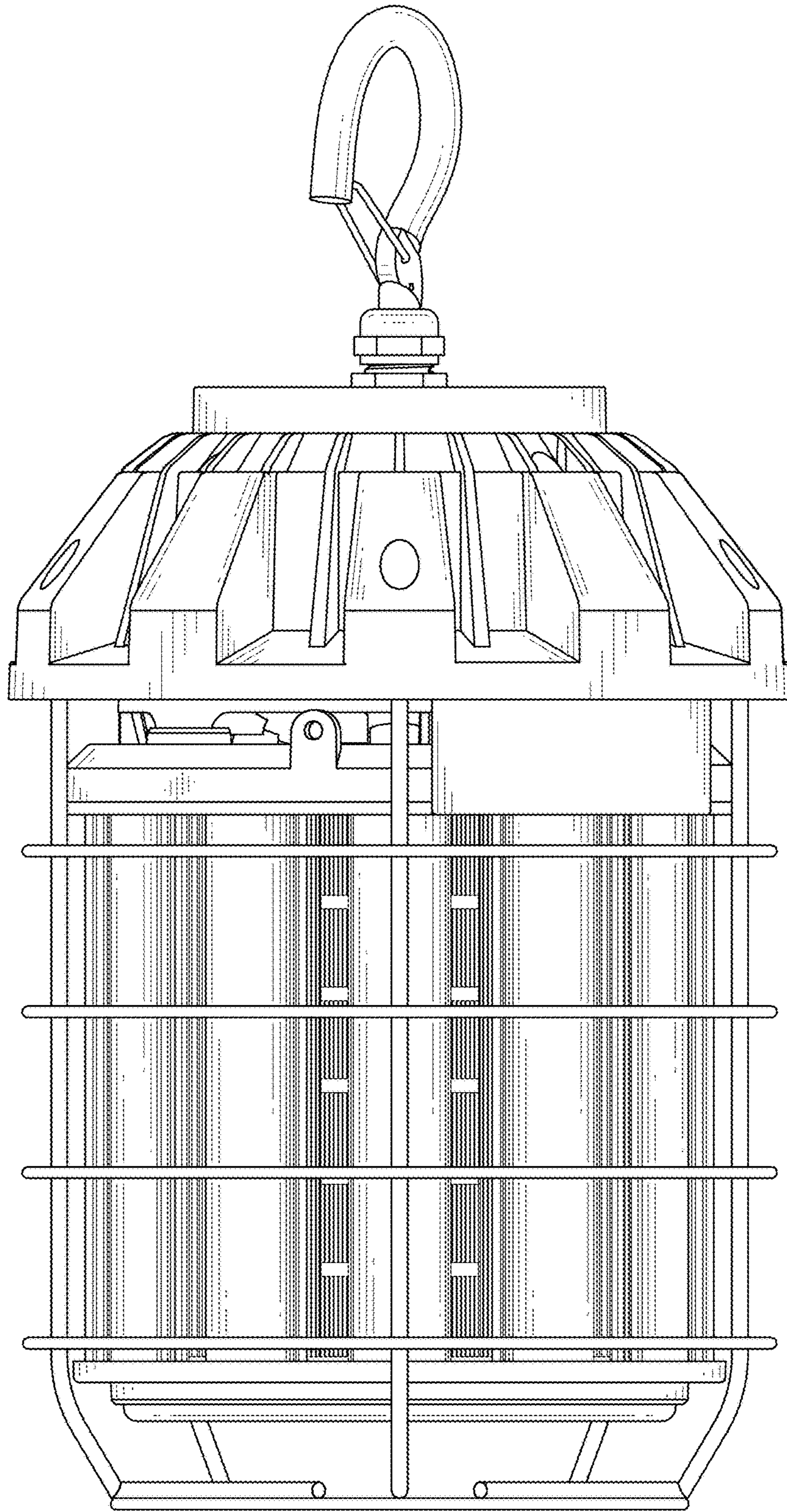


FIG. 61

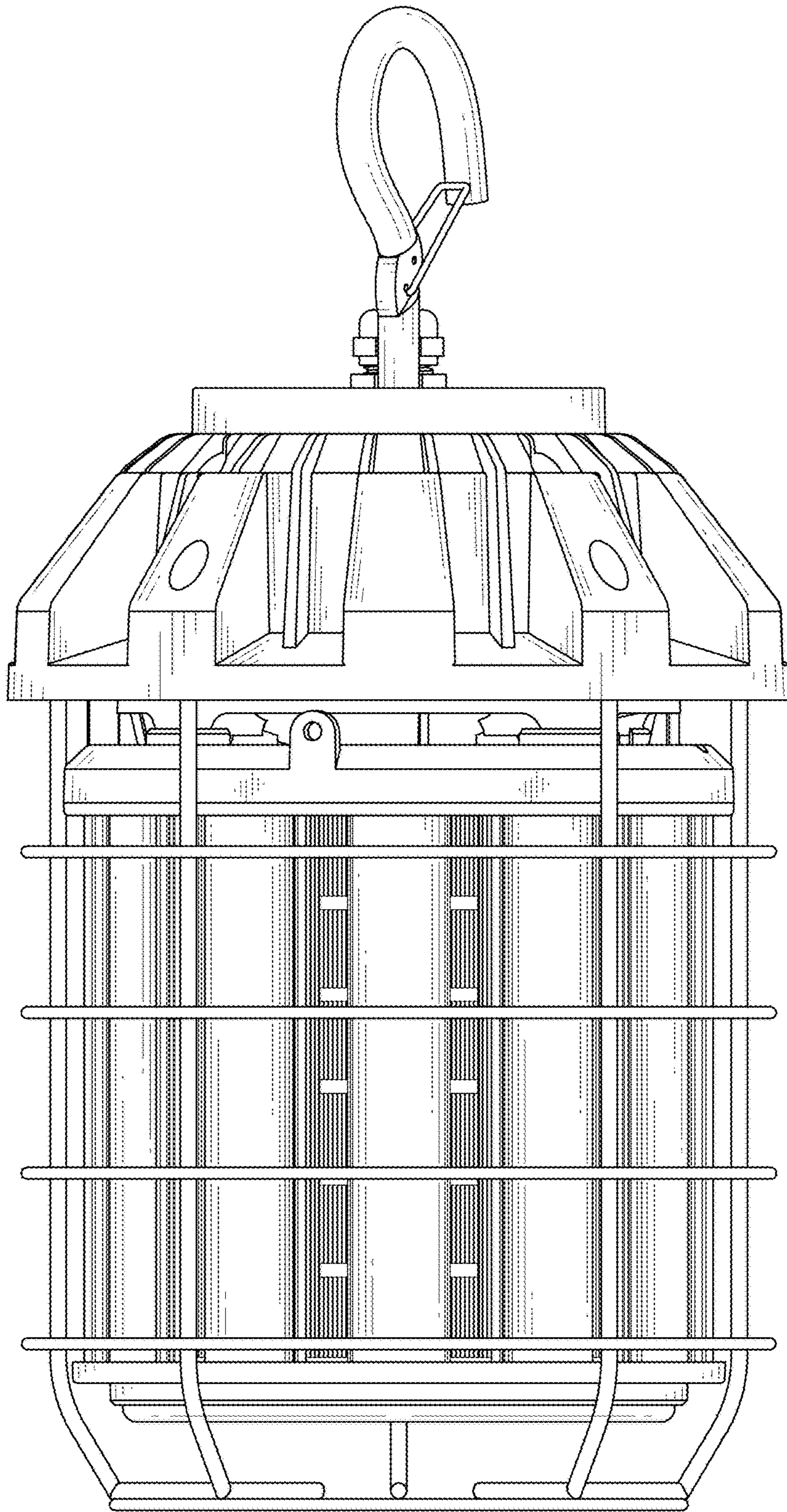


FIG. 62

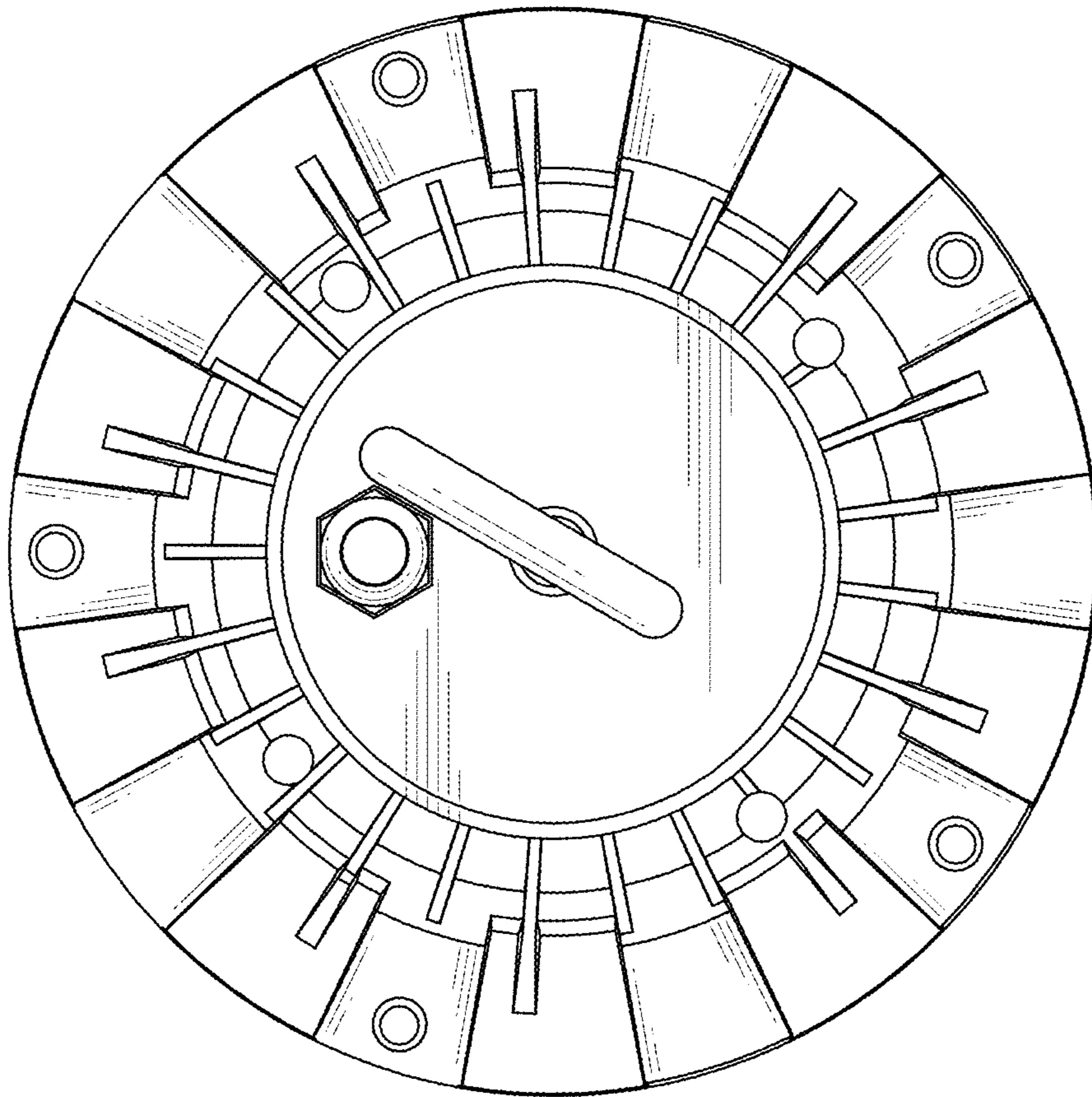


FIG. 63

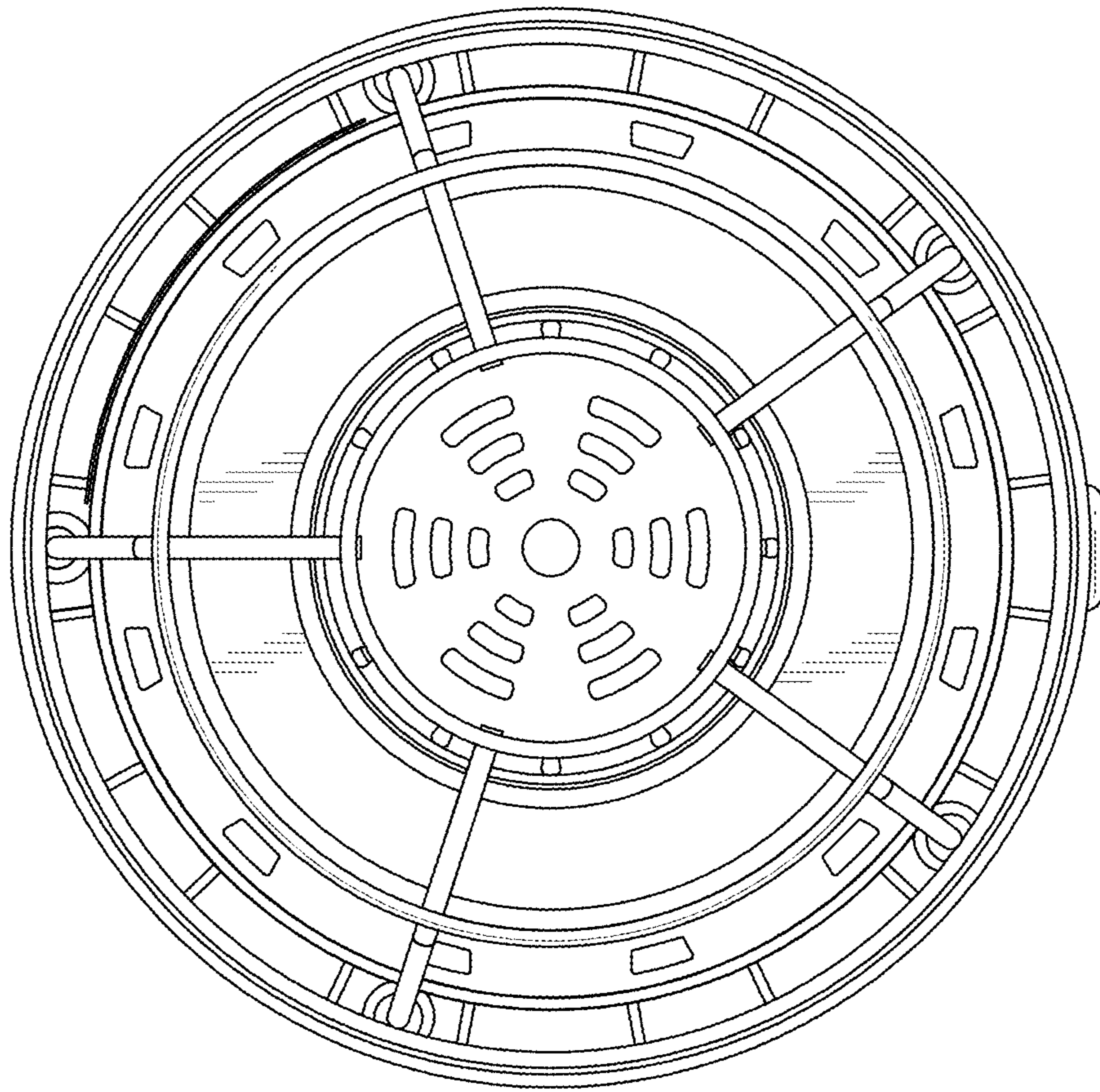


FIG. 64

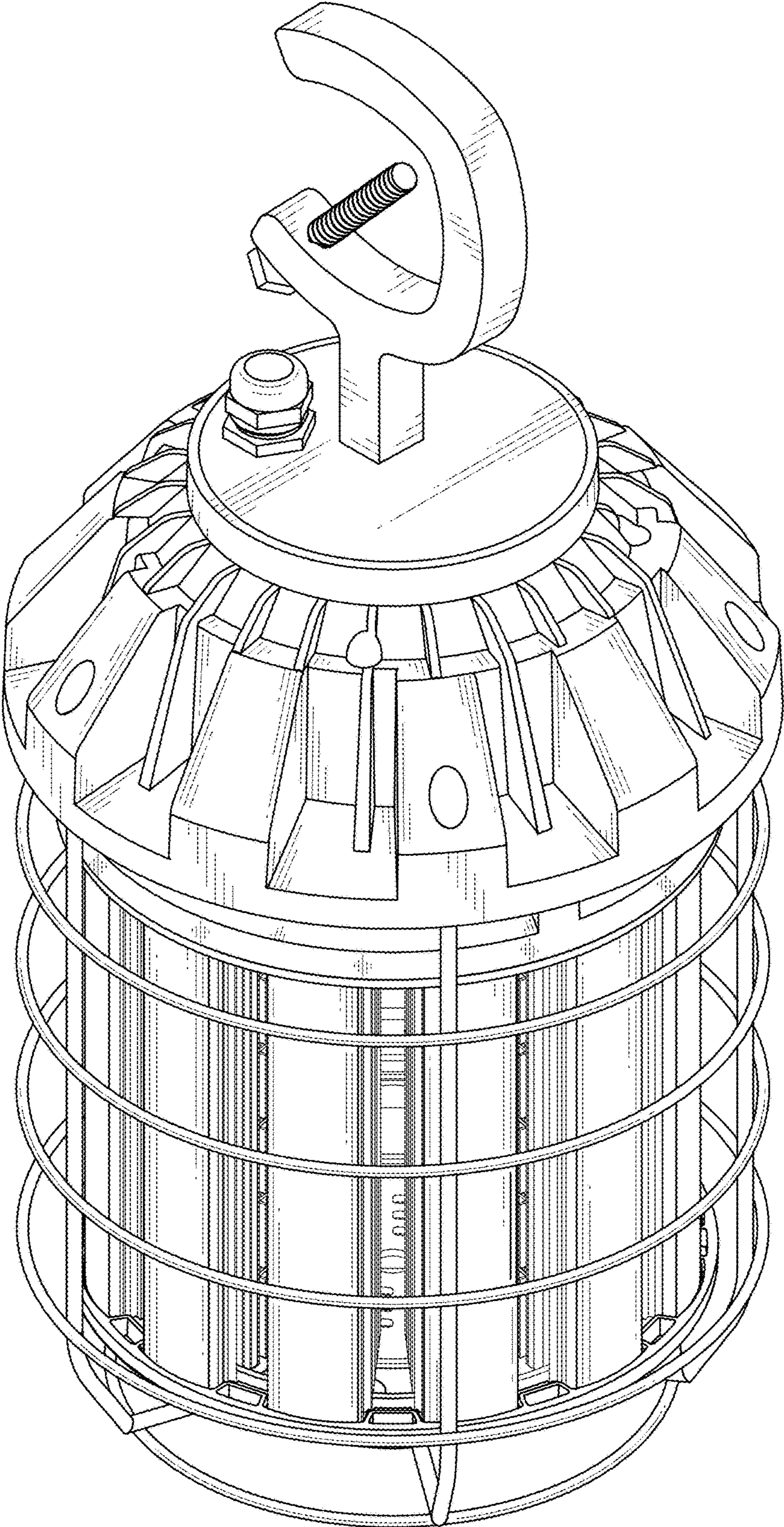


FIG. 65

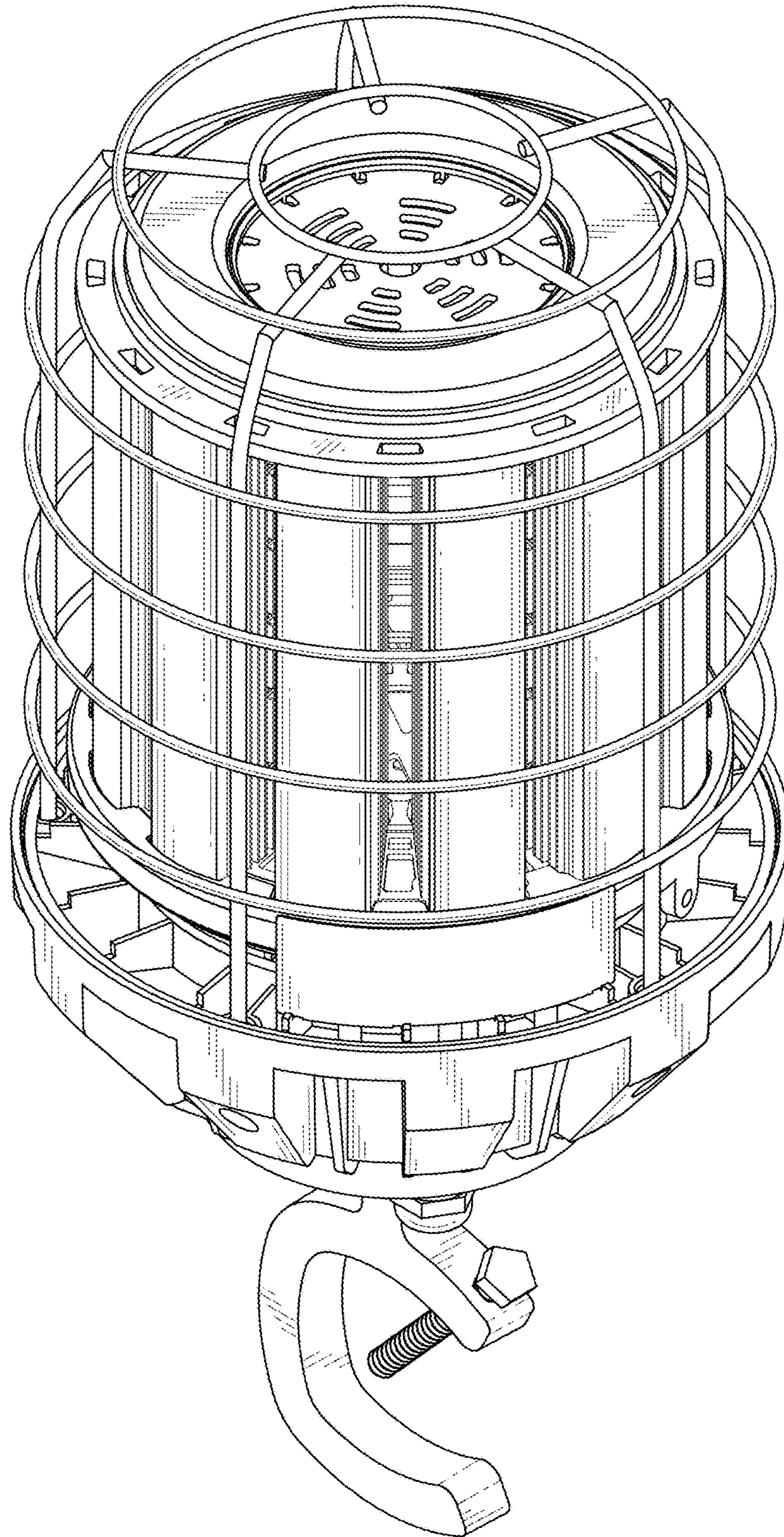


FIG. 66

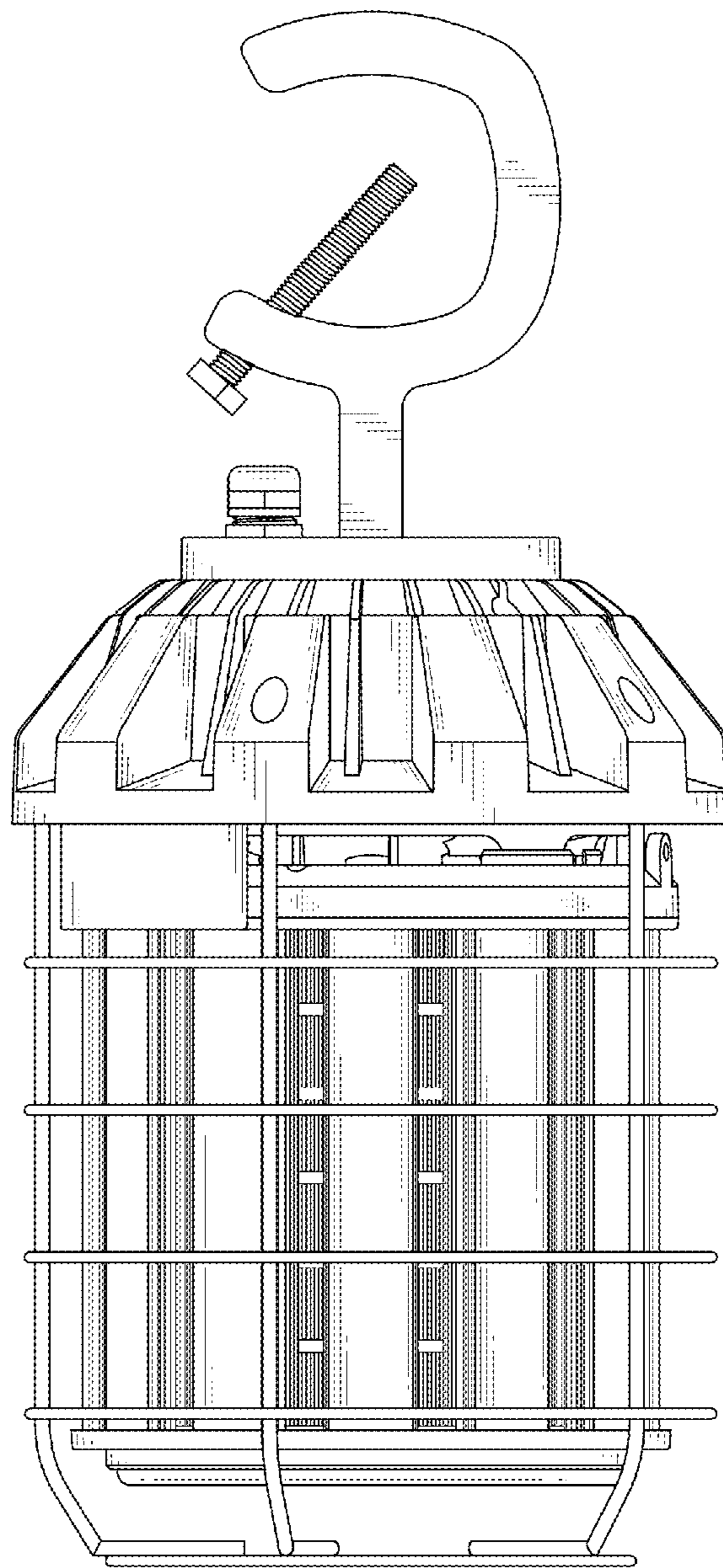


FIG. 67

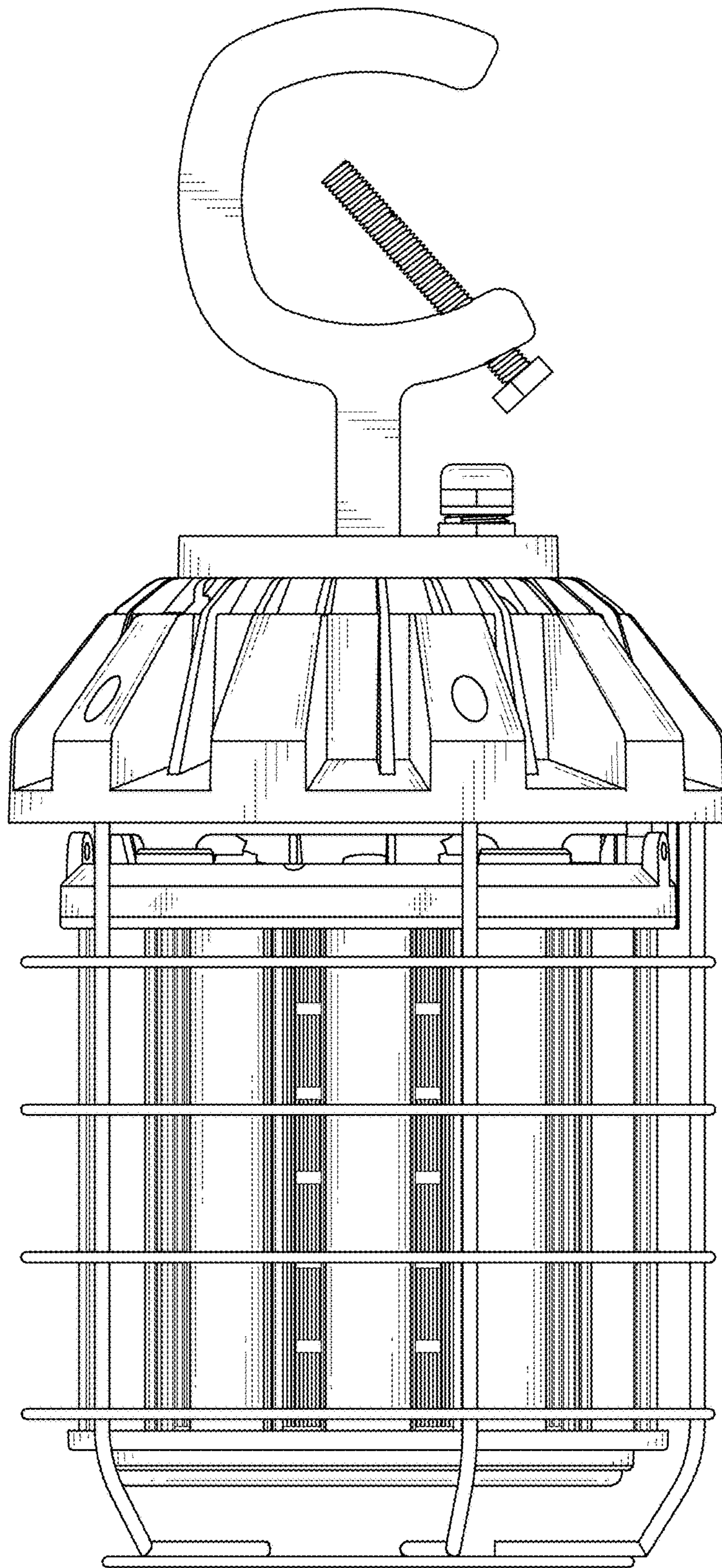


FIG. 68

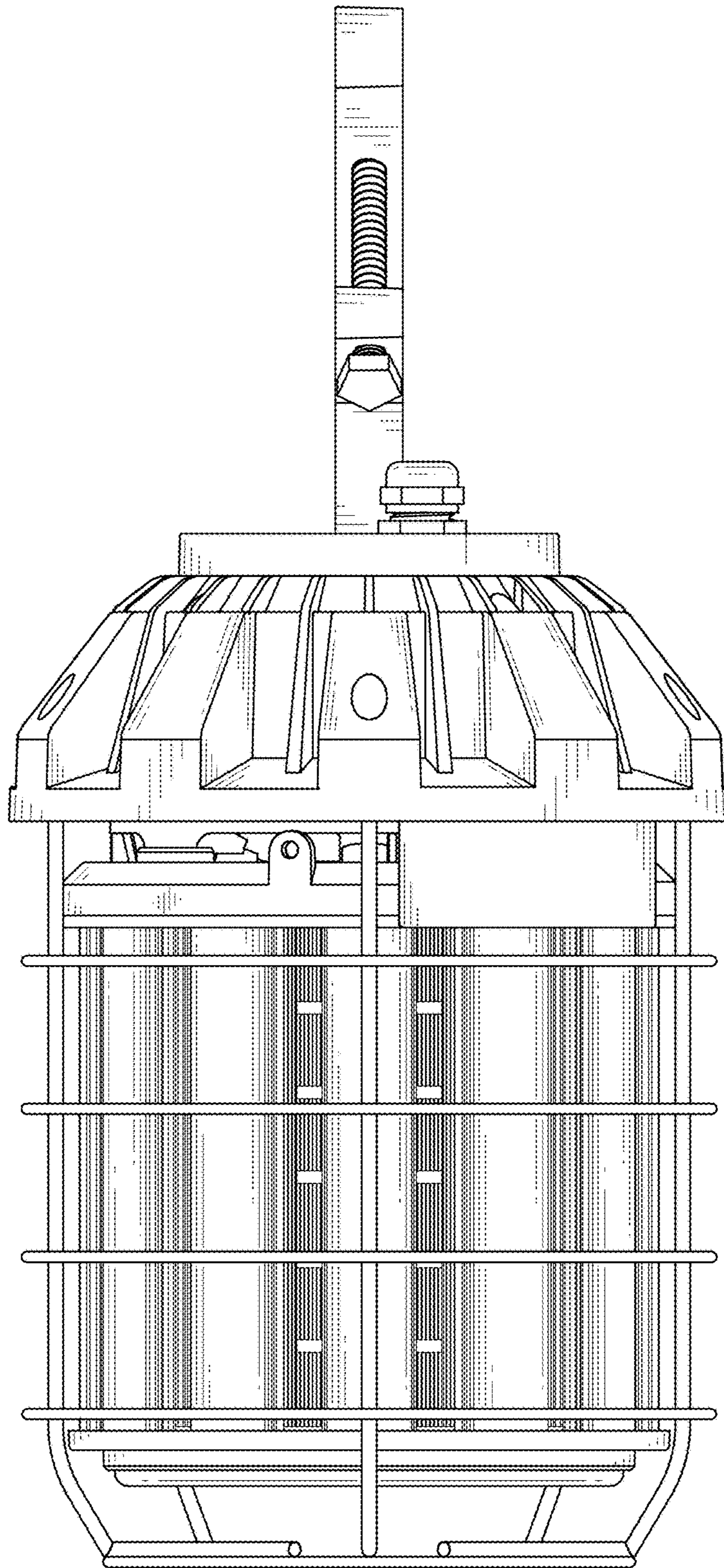


FIG. 69

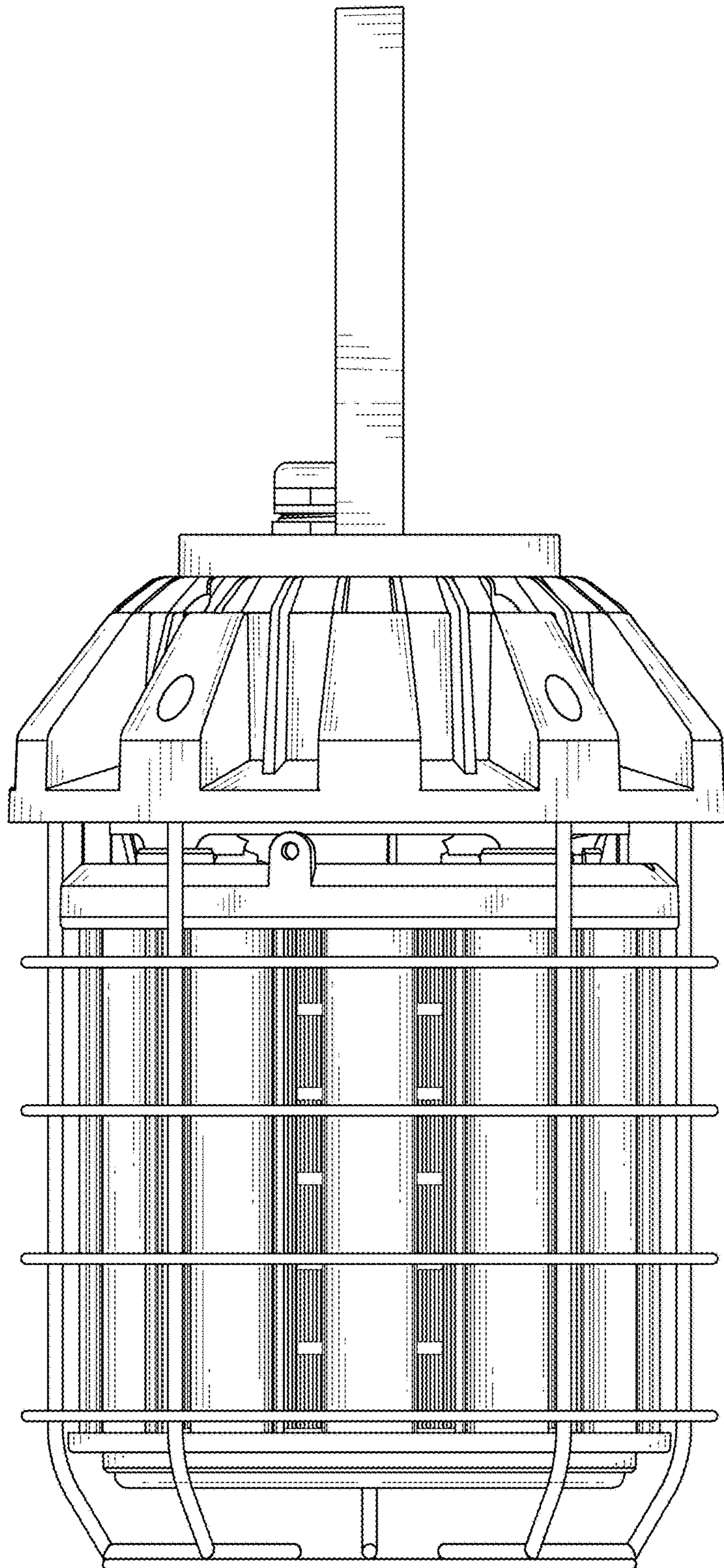


FIG. 70

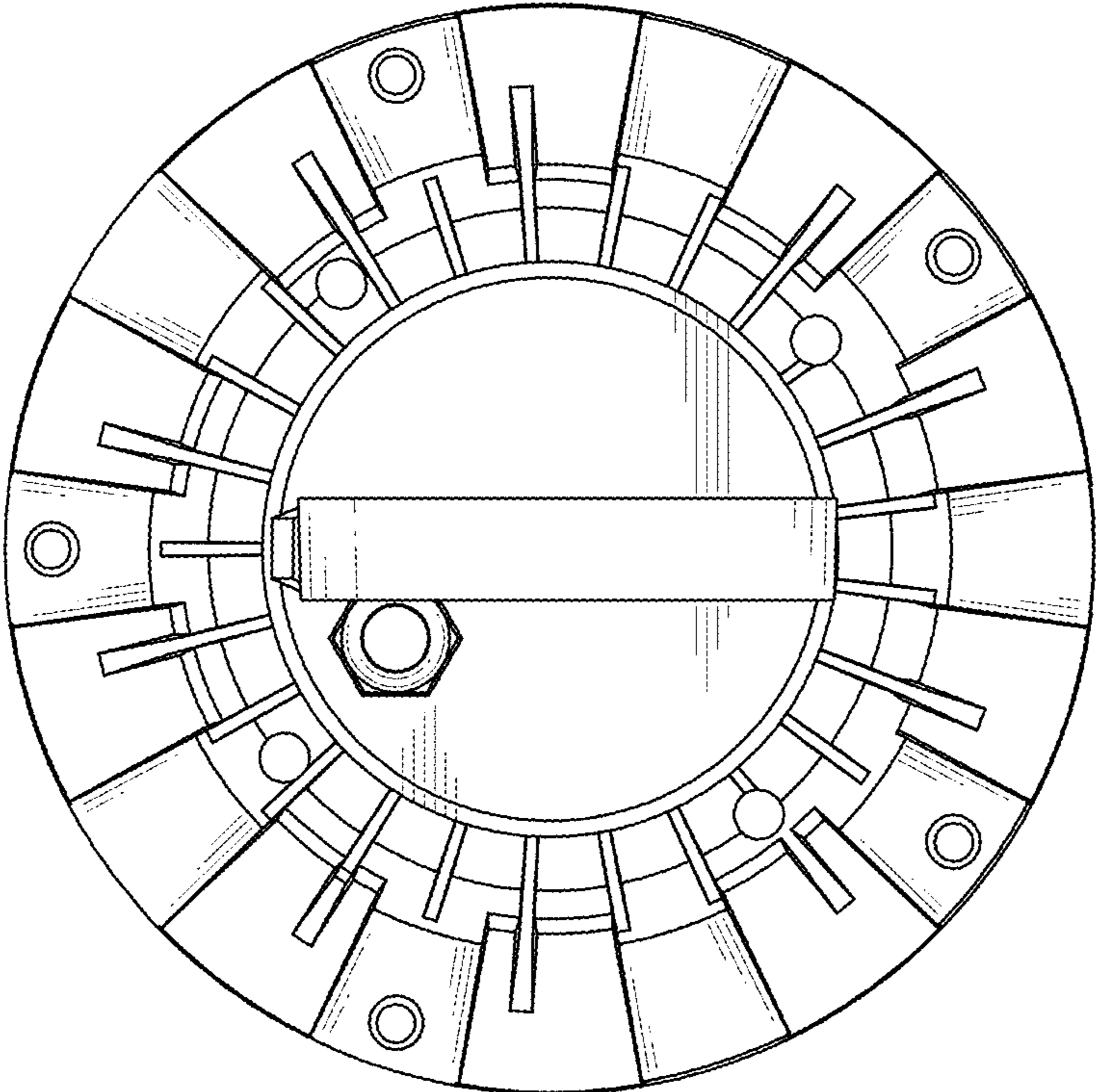


FIG. 71

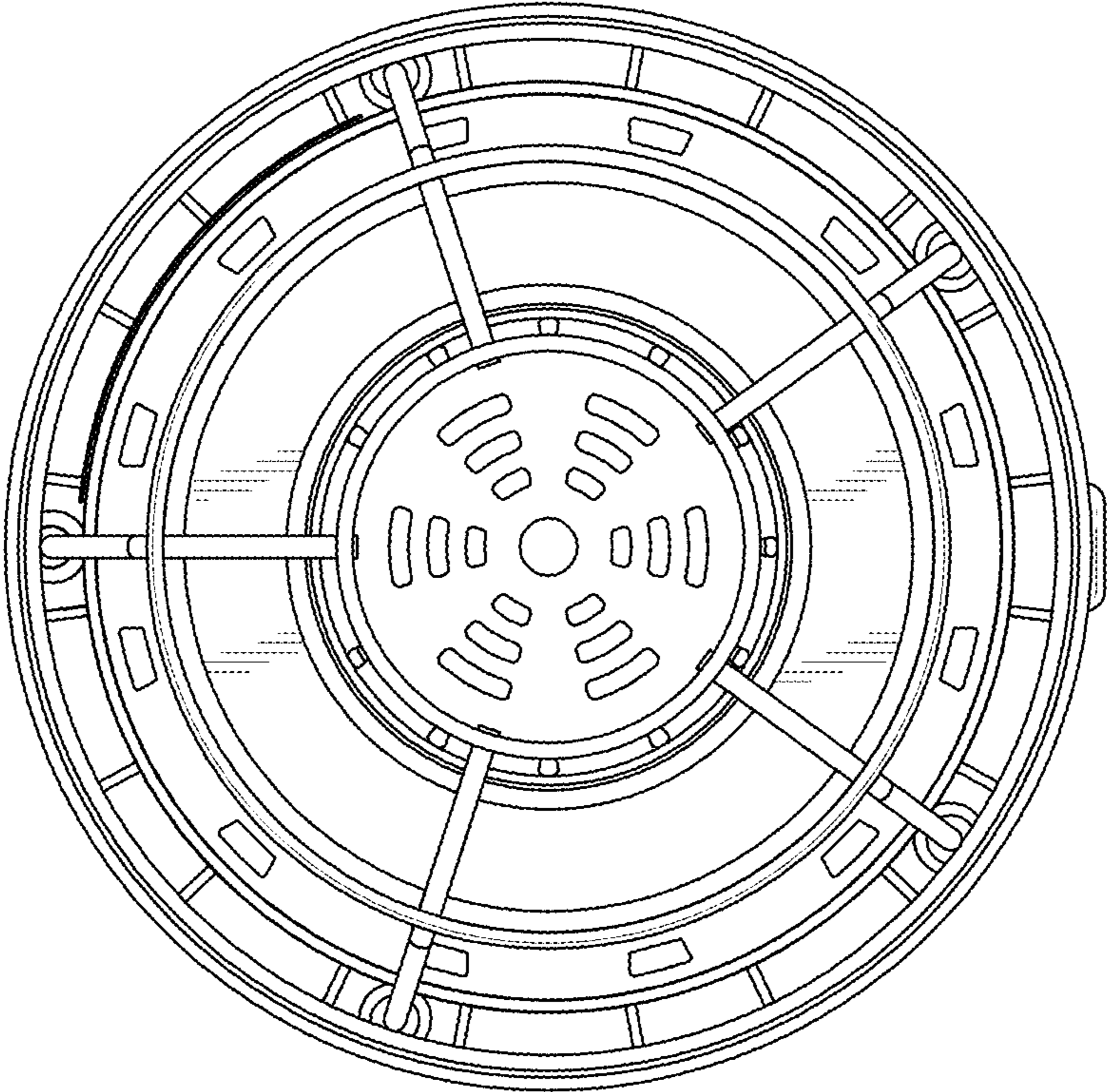


FIG. 72