



US00D800353S

(12) **United States Design Patent**
Schmauder

(10) **Patent No.:** **US D800,353 S**

(45) **Date of Patent:** **** Oct. 17, 2017**

(54) **LED LAMP**

(71) Applicant: **The L.D. Kichler Co.**, Cleveland, OH
(US)

(72) Inventor: **Christopher Robert Schmauder**,
North Olmstead, OH (US)

(73) Assignee: **The L.D. Kichler Co.**, Cleveland, OH
(US)

(**) Term: **15 Years**

(21) Appl. No.: **29/505,444**

(22) Filed: **Oct. 30, 2015**

Related U.S. Application Data

(63) Continuation-in-part of application No. 29/463,603,
filed on Jan. 15, 2014, now Pat. No. Des. 760,419.

(51) **LOC (10) Cl.** **26-04**

(52) **U.S. Cl.**
USPC **D26/1**

(58) **Field of Classification Search**
USPC D26/1, 2, 3, 72
CPC H01J 5/48; H01J 5/50; F21V 17/06; F21V
19/001; F21V 19/0025; F21V 19/0015;
F21V 19/004; F21V 19/0045; F21K 9/13
See application file for complete search history.

(56) **References Cited**

U.S. PATENT DOCUMENTS

3,431,540	A *	3/1969	Shimer	H01J 5/48 313/318.05
4,127,313	A *	11/1978	Marks	H01J 5/48 313/318.01
4,345,812	A *	8/1982	Wardell, Jr.	H01J 5/50 313/318.01
D334,990	S *	4/1993	Sekiguchi	D26/1
D435,673	S *	12/2000	Schuda	D26/1
D634,282	S *	3/2011	Wilson	D13/180

D663,048	S *	7/2012	Chen	D26/1
D667,968	S *	9/2012	Shin	D26/1
D715,461	S *	10/2014	Chen	D26/1
D754,073	S *	4/2016	Katagiyama	D13/133
D755,998	S *	5/2016	Wilson	D26/1
D757,962	S *	5/2016	Tan	D26/1
D765,889	S *	9/2016	Largent	D26/1
D772,440	S *	11/2016	Labi	D26/1
D776,305	S *	1/2017	Barnetson	D26/1
2008/0224166	A1 *	9/2008	Glovatsky	F21S 48/115 257/99

(Continued)

OTHER PUBLICATIONS

T5 Side Mount LED 3000K 120 DEG replacement lamp; and S8 Side Mount LED 3000K 120 DEG replacment lamp, both from Klchler.com, visited May 30, 2017. (2 pages).*

Primary Examiner — Clare E Heflin

(74) *Attorney, Agent, or Firm* — Calfee, Halter & Griswold LLP

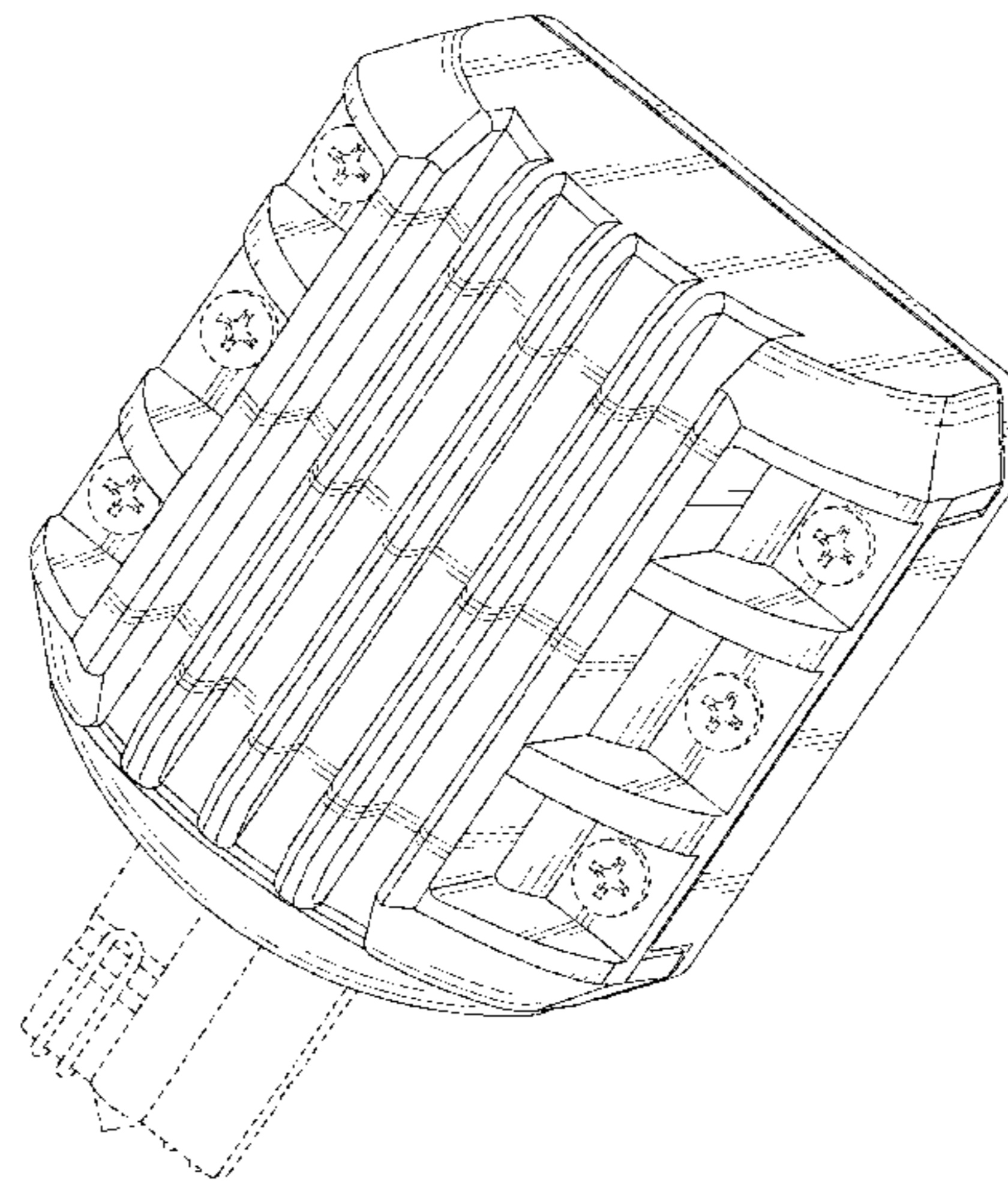
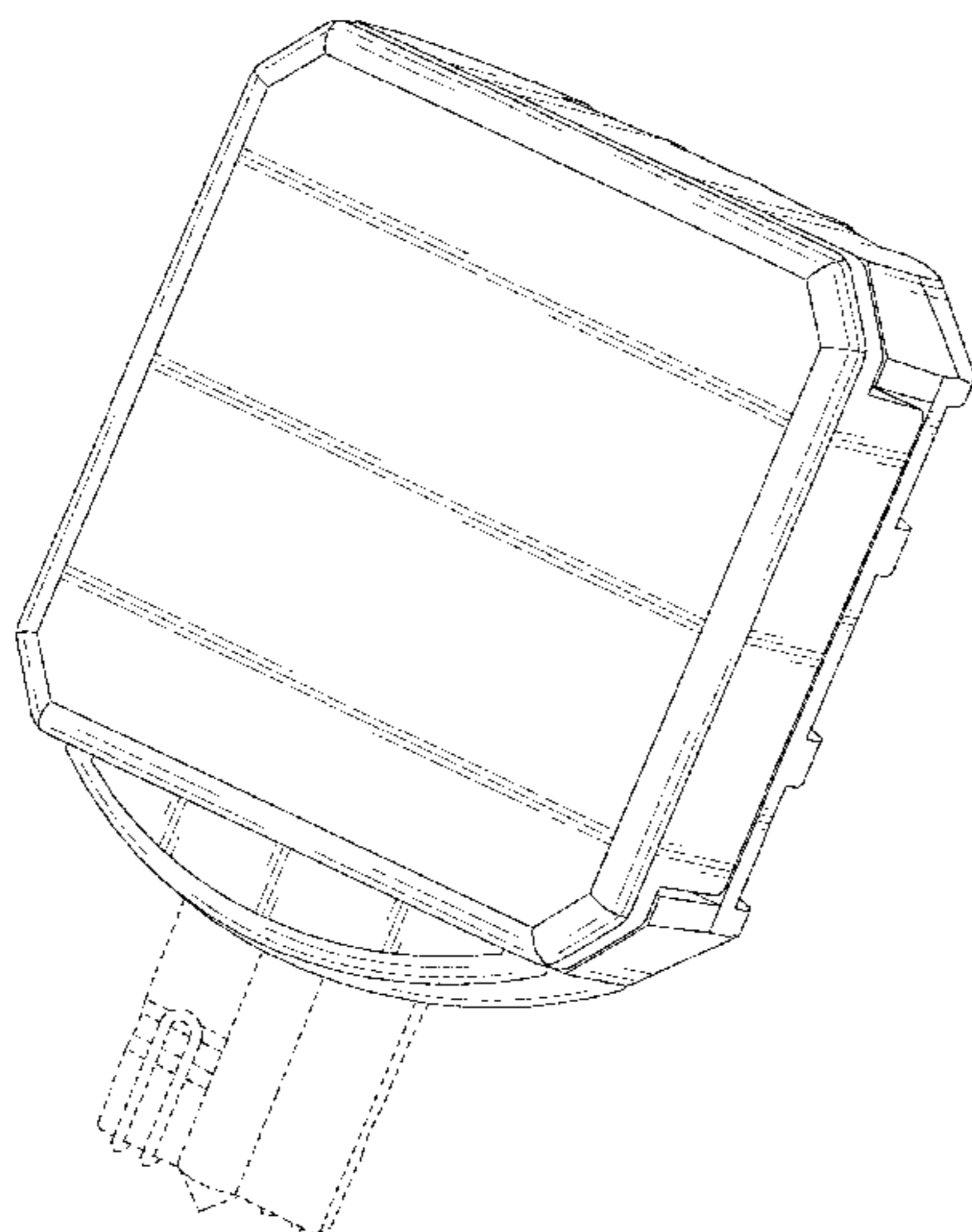
(57) **CLAIM**

I claim the ornamental design for an LED lamp, as shown and described.

DESCRIPTION

FIG. 1 is a front elevational view of an LED lamp; FIG. 2 is a rear elevational view of the LED lamp of FIG. 1; FIG. 3 is a right side elevational view of the LED lamp of FIG. 1, the left side elevational view being a mirror image thereof; FIG. 4 is a bottom plan view of the LED lamp of FIG. 1; FIG. 5 is a front perspective view of the LED lamp of FIGS. 1; and, FIG. 6 is a rear perspective view of the LED lamp of FIG. 1. The broken lines shown on the drawings depict portions of the LED lamp that form no part of the claimed design.

1 Claim, 4 Drawing Sheets



(56)

References Cited

U.S. PATENT DOCUMENTS

2010/0277906 A1* 11/2010 Choi F21V 19/02
362/235
2012/0294012 A1* 11/2012 Suzuki F21V 19/0015
362/311.02
2014/0369057 A1* 12/2014 Wakasugi F21V 19/0015
362/375
2017/0038038 A1* 2/2017 Harris F21V 19/004

* cited by examiner

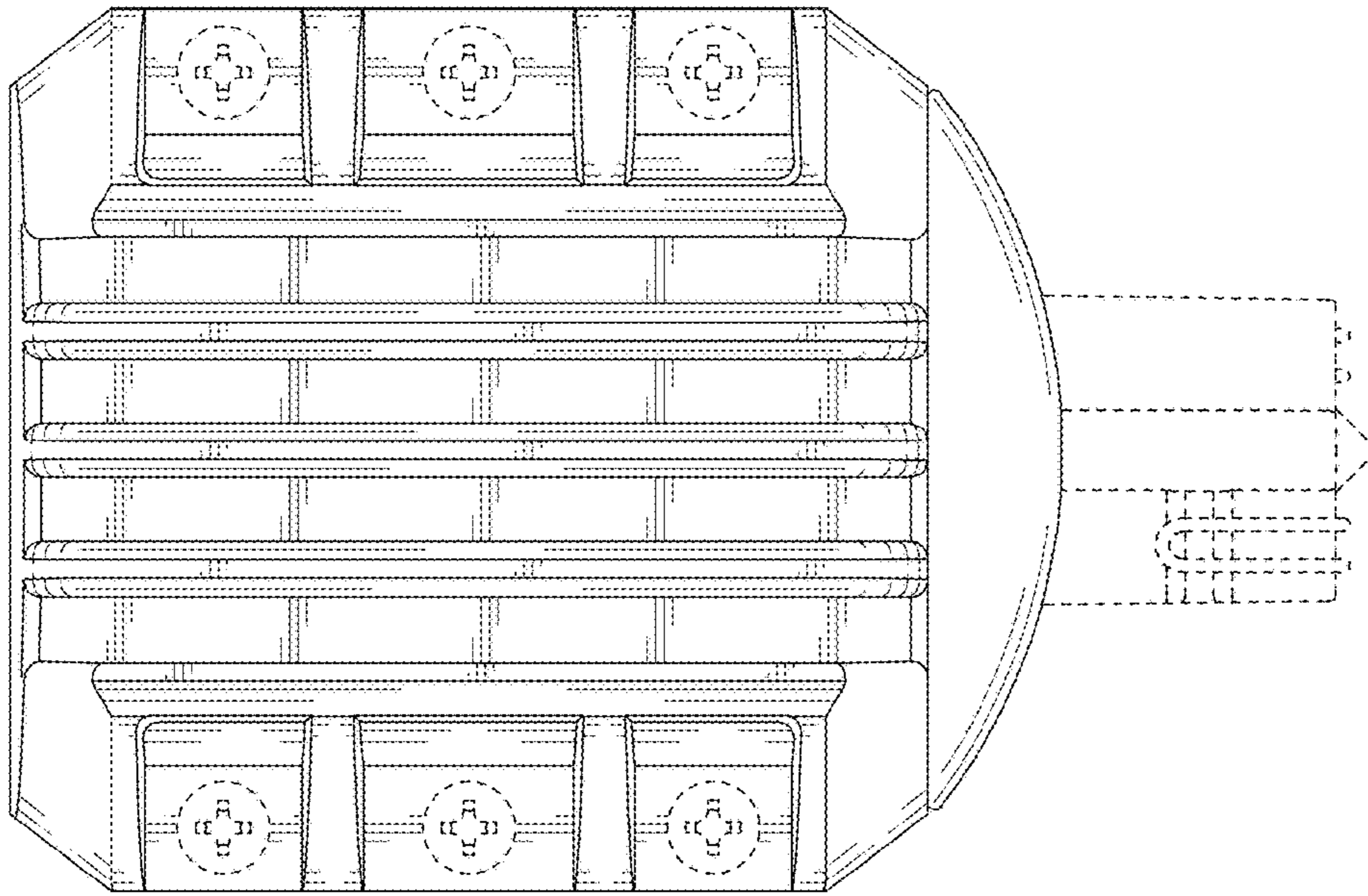


FIG. 2

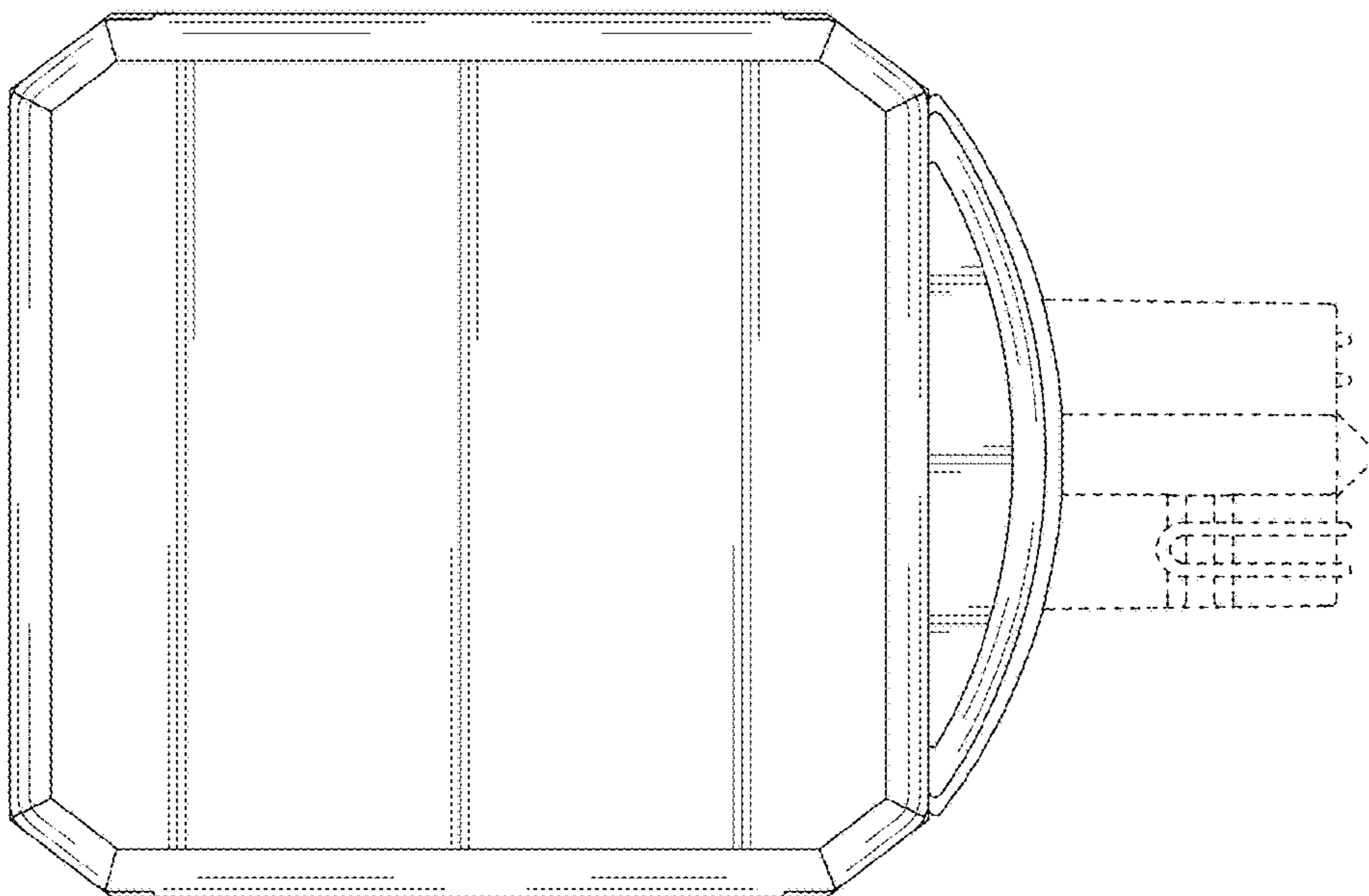


FIG. 1

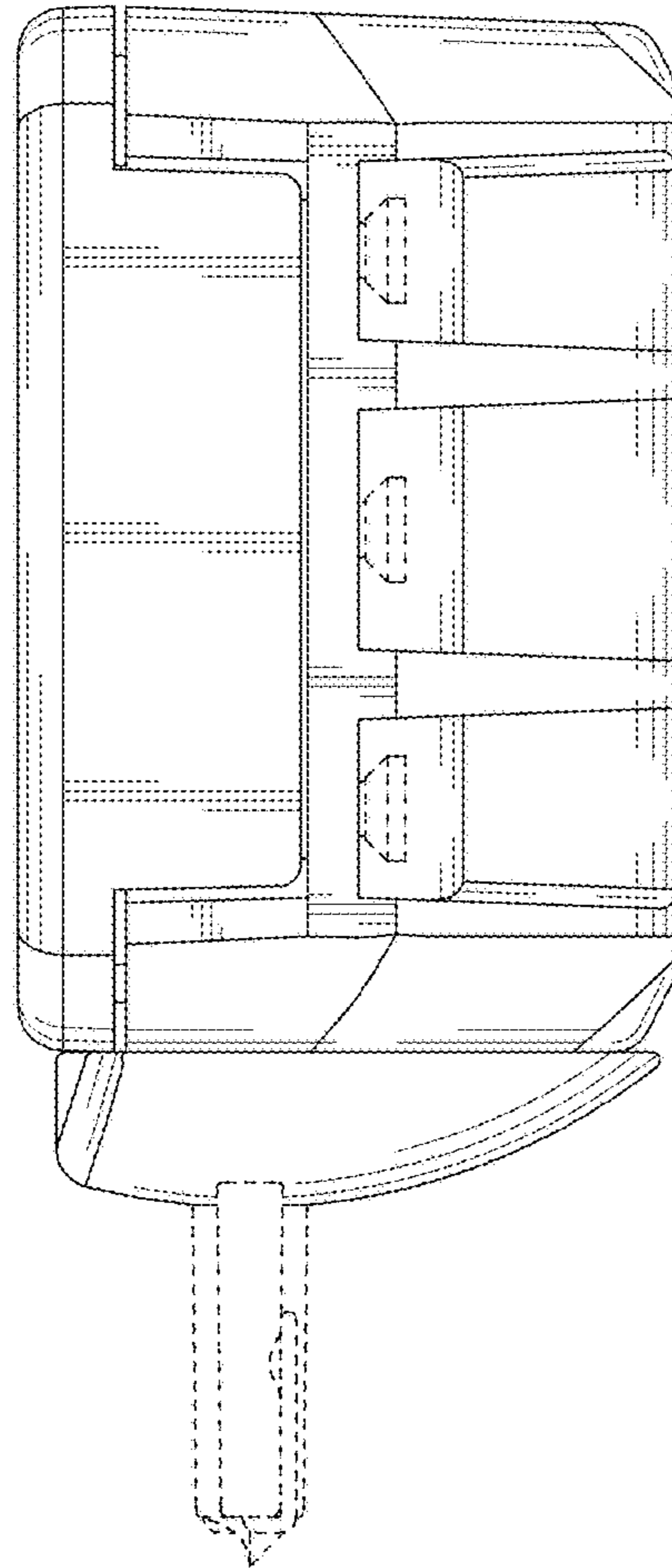


FIG. 3

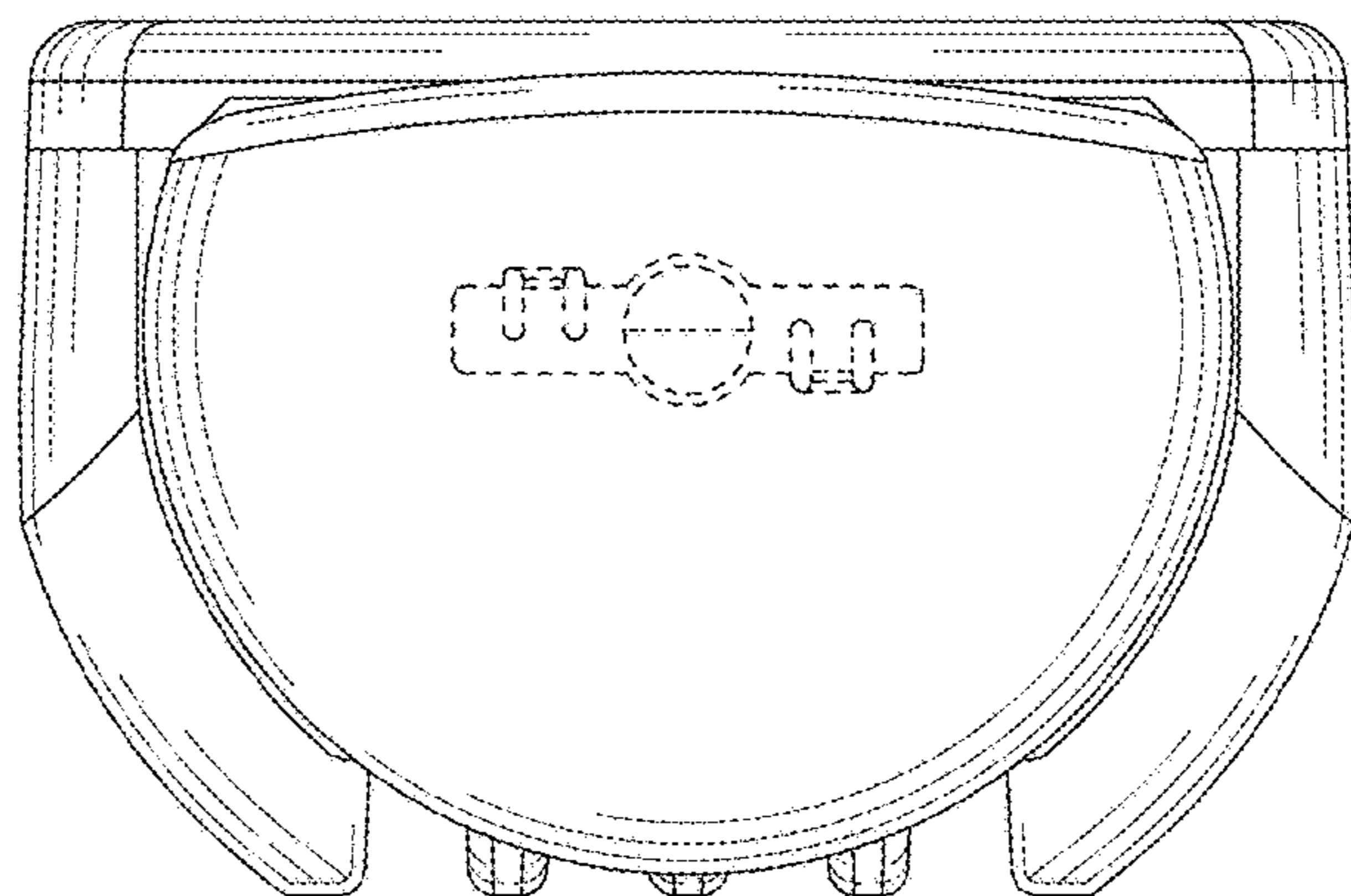


FIG. 4

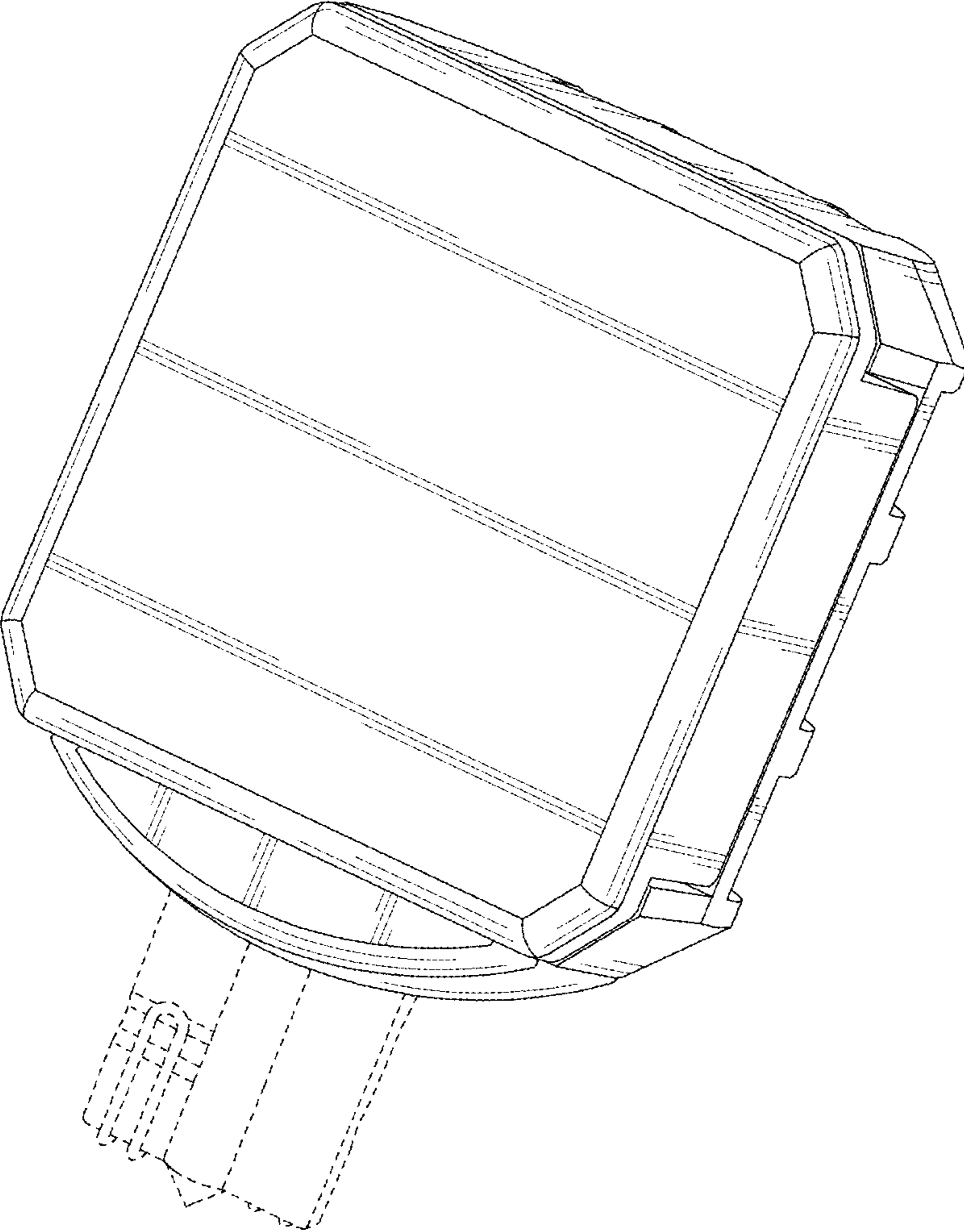


FIG. 5

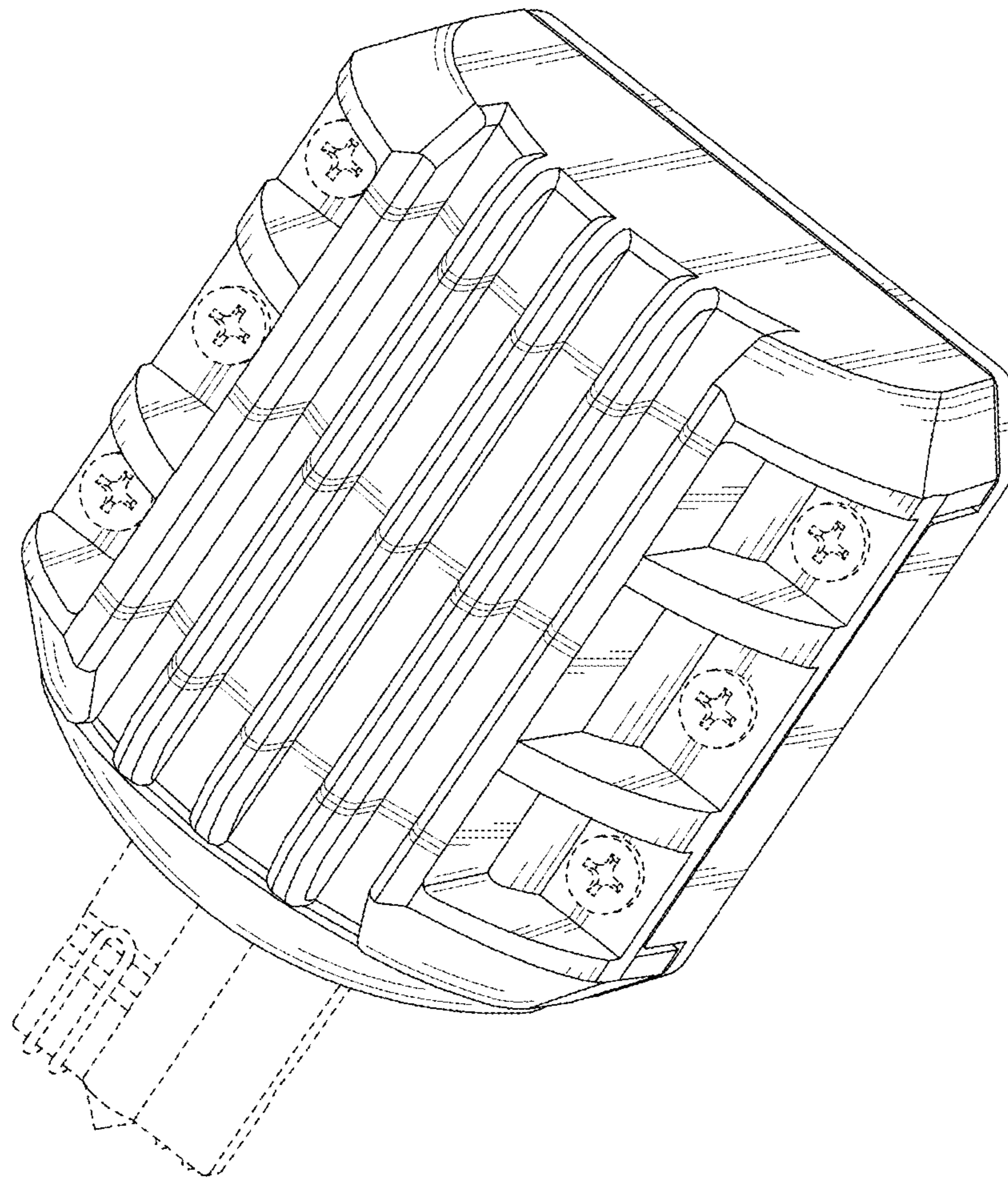


FIG. 6