



US00D800352S

(12) **United States Design Patent**
Amrine et al.

(10) **Patent No.:** **US D800,352 S**
(45) **Date of Patent:** **** Oct. 17, 2017**

(54) **LANDSCAPE EDGING TAB**
(71) Applicant: **Dimex, LLC**, Marietta, OH (US)
(72) Inventors: **Patrick Amrine**, Williamstown, WV (US); **Matthew Miller**, Marietta, OH (US); **Forrest Adam Sanders**, Marietta, OH (US)

D178,659 S 9/1956 Hield
2,809,809 A 10/1957 Johnston
2,865,136 A 12/1958 Howard
(Continued)

FOREIGN PATENT DOCUMENTS

GB 480927 A 3/1938
GB 2369979 A 6/2002
(Continued)

(73) Assignee: **Dimex, LLC**, Marietta, OH (US)

(**) Term: **15 Years**

OTHER PUBLICATIONS

Valley View Industries, 2015 Retail Catalog, Independent Garden Centers/Hardware/Regional Merchants, 11 pgs., Apr. 27, 2015.
(Continued)

(21) Appl. No.: **29/560,935**

(22) Filed: **Apr. 12, 2016**

(51) **LOC (10) Cl.** **25-01**

(52) **U.S. Cl.**

USPC **D25/164**

(58) **Field of Classification Search**

USPC D25/35, 58, 113, 114, 115, 119, 139,
D25/164, 199; 47/32.4, 33; 52/102;
D8/1

CPC E01C 11/22; E01C 11/221; E01C 11/222;
E01C 11/223; E01C 11/225; A01G 1/00;
A01G 1/08

See application file for complete search history.

Primary Examiner — Cynthia Ramirez
Assistant Examiner — Llorellys Martinez-Rivera
(74) *Attorney, Agent, or Firm* — Wood Herron & Evans LLP

(57) **CLAIM**

The ornamental design for a landscape edging tab, as shown and described.

DESCRIPTION

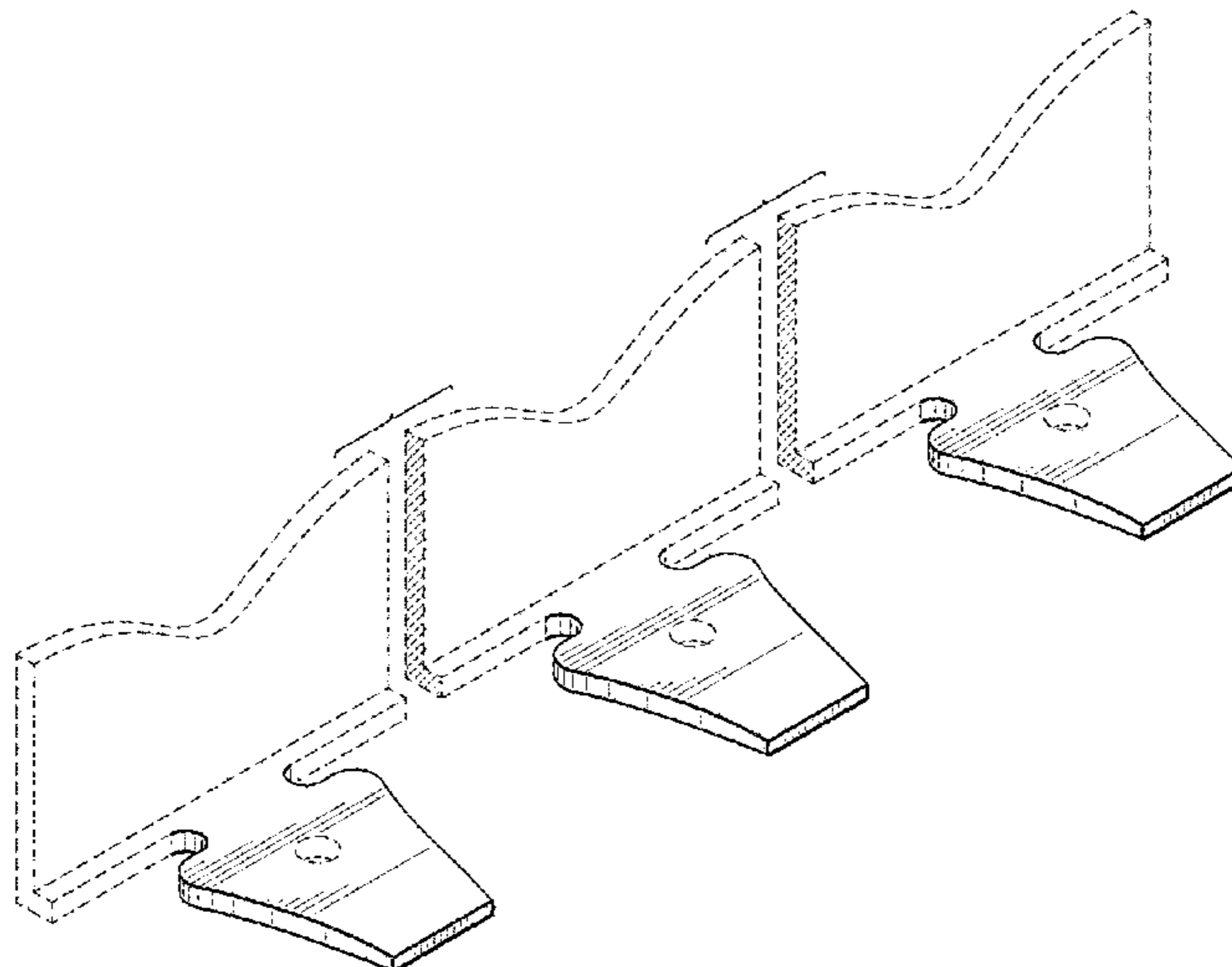
FIG. 1 is a front isometric view of a landscape edging tab showing our new design; FIG. 2 is a front elevation view thereof; FIG. 3 is a right-side elevation view thereof; FIG. 4 is a left side elevation view thereof; FIG. 5 is a top plan view thereof; and, FIG. 6 is a bottom plan view thereof. The landscape edging tab is shown with a symbolic break in its length. The appearance of any portion of the landscape edging tab between the break lines forms no part of the claimed design. The broken lines in the drawings represent portions of the landscape edging tab that form no part of the claimed design.

(56) **References Cited**

U.S. PATENT DOCUMENTS

268,441 A 12/1882 Tunica
457,886 A 8/1891 Landis
992,529 A 5/1911 Abraham
1,139,515 A * 5/1915 Haas A01G 1/08
47/33
1,666,613 A 4/1928 Woods
1,997,876 A 4/1935 Sheldon
2,163,613 A 6/1939 Manofsky
2,164,681 A 7/1939 Fould
2,193,425 A 3/1940 Lake
D130,420 S 11/1941 Schlatter
D151,022 S 9/1948 Weber et al.

1 Claim, 3 Drawing Sheets



(56)

References Cited

U.S. PATENT DOCUMENTS

2,877,600 A 3/1959 Slate
 D185,236 S 5/1959 Reese
 3,170,201 A 2/1965 Nofziger
 3,222,841 A 12/1965 Lipof
 3,314,193 A 4/1967 Chancellor
 3,332,197 A 7/1967 Hinkle
 3,378,949 A 4/1968 Dorris
 3,484,989 A 12/1969 Lazinsky
 3,520,082 A 7/1970 Smith
 3,604,164 A 9/1971 Mason
 3,619,944 A 11/1971 Matvey
 3,728,837 A 4/1973 Kiefer, Jr.
 3,788,001 A 1/1974 Balfanz, Jr.
 3,815,311 A 6/1974 Nisula et al.
 3,957,383 A 5/1976 Fredericks
 4,182,072 A 1/1980 Much
 4,202,145 A 5/1980 Coulter et al.
 4,349,596 A 9/1982 Hendrix
 4,628,632 A 12/1986 Zwier
 4,744,194 A 5/1988 Yasuyoshi
 4,761,923 A 9/1988 Reum et al.
 4,809,459 A 3/1989 Brylla et al.
 4,824,068 A 4/1989 Ferland
 4,858,379 A 8/1989 West
 4,863,307 A 9/1989 Jones
 4,905,442 A 3/1990 Daniels
 4,907,783 A 3/1990 Fisk et al.
 4,987,717 A 1/1991 Dameron, Jr.
 5,020,272 A 6/1991 Herrema et al.
 5,048,241 A 9/1991 Gavin, Jr.
 5,117,583 A 6/1992 Reum
 D329,707 S 9/1992 Embree et al.
 D329,709 S 9/1992 Strobl, Jr.
 5,152,507 A 10/1992 Lee
 5,157,867 A 10/1992 Fritch
 5,212,917 A 5/1993 Kurtz et al.
 5,240,343 A 8/1993 Strobl, Jr.
 D339,199 S 9/1993 Rynberk
 5,301,461 A 4/1994 Zwier
 5,375,941 A 12/1994 Strobl, Jr.
 5,379,546 A 1/1995 Popp
 5,421,118 A 6/1995 Bauer
 5,442,877 A 8/1995 Lindhal
 D363,788 S 10/1995 Caley
 D366,191 S 1/1996 Gay
 5,501,036 A 3/1996 Torp, Jr. et al.
 D368,969 S 4/1996 Davies
 5,519,970 A 5/1996 Reum et al.
 D372,547 S 8/1996 Sjodin
 D373,205 S 8/1996 Caley
 5,544,445 A 8/1996 Mantilla
 D378,857 S 4/1997 Hale
 5,640,801 A 6/1997 Rynberk
 D393,164 S 4/1998 Russell et al.
 5,771,643 A 6/1998 Parker
 5,772,357 A 6/1998 Evans
 D400,985 S 11/1998 Risi

D408,558 S 4/1999 Levy
 5,930,947 A 8/1999 Eckhoff
 5,941,018 A 8/1999 Herrema
 D416,096 S * 11/1999 Tisbo D25/164
 6,012,254 A 1/2000 Gaston
 6,030,144 A 2/2000 Cannella
 6,038,811 A 3/2000 Conway
 D424,714 S 5/2000 Hale
 6,085,458 A 7/2000 Gau
 6,099,201 A 8/2000 Abbrancati
 6,108,969 A 8/2000 Danna et al.
 6,226,934 B1 5/2001 Gaston
 6,324,782 B1 12/2001 Gaston
 6,324,783 B1 12/2001 McIntyre et al.
 D453,578 S 2/2002 Olson
 6,345,465 B1 2/2002 Allen et al.
 6,379,078 B1 4/2002 Zwier
 6,385,898 B1 5/2002 Noel
 D462,788 S 9/2002 Thornton et al.
 D463,581 S 9/2002 Mann
 6,449,897 B1 9/2002 Gaston
 6,485,226 B1 11/2002 Harger
 D467,015 S 12/2002 O'Brien
 6,568,126 B2 5/2003 Womack
 6,619,565 B1 9/2003 Abbott
 6,629,383 B2 10/2003 Allen et al.
 D489,465 S 5/2004 Allsopp
 6,754,989 B2 6/2004 Eicher
 6,779,297 B2 8/2004 Conde
 D541,952 S 5/2007 Keeley et al.
 D543,286 S 5/2007 Keeley et al.
 D548,368 S 8/2007 Hale et al.
 D586,005 S 2/2009 Schumaker et al.
 D586,926 S 2/2009 Orton
 D595,429 S * 6/2009 Orton D25/119
 D600,822 S * 9/2009 Coleman, Jr. D25/113
 D606,670 S 12/2009 Keeley
 D612,072 S 3/2010 Keeley
 D733,936 S 7/2015 Amrine et al.
 D748,822 S 2/2016 Amrine et al.
 D748,823 S 2/2016 Amrine et al.
 D773,074 S * 11/2016 Amrine D25/164
 D776,834 S * 1/2017 Amrine D25/164
 2002/0139045 A1 10/2002 Womack
 2003/0188478 A1 10/2003 Womack

FOREIGN PATENT DOCUMENTS

JP 7255277 10/1995
 JP 2002253060 A 9/2002
 JP 3490497 B2 1/2004

OTHER PUBLICATIONS

Valley View Specialties Co., Diamond-Lok Paver/Briick Edging,
 Pre Apr. 1996.
 Permaloc, Structure Edge Interlocking Snap-down Splicing System,
 Pre Apr. 1996.

* cited by examiner

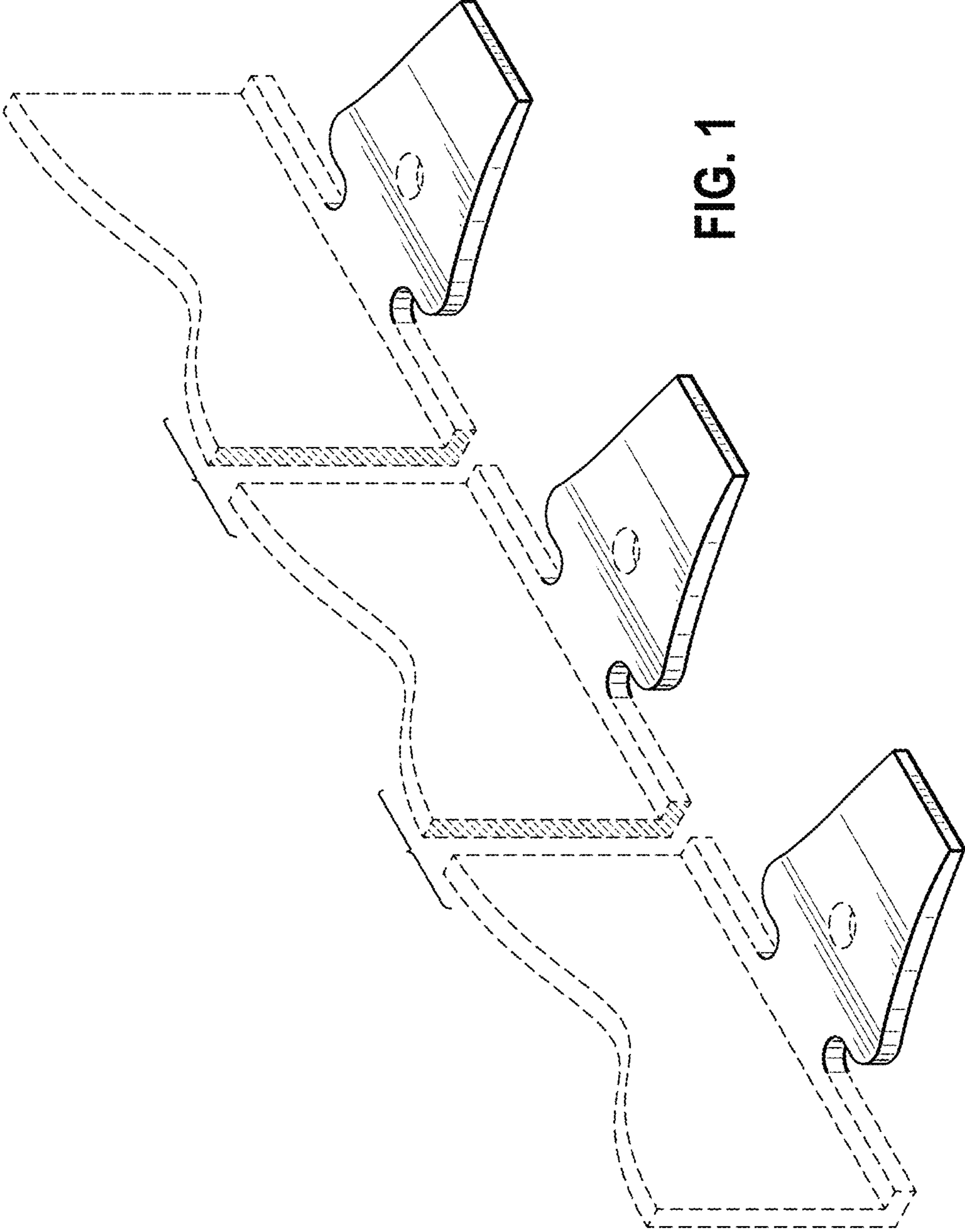


FIG. 1

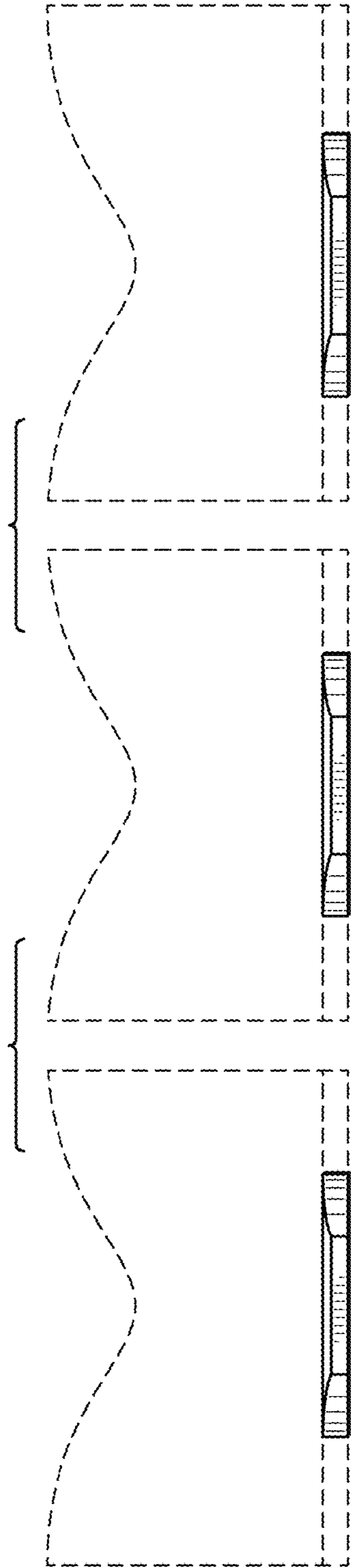


FIG. 2

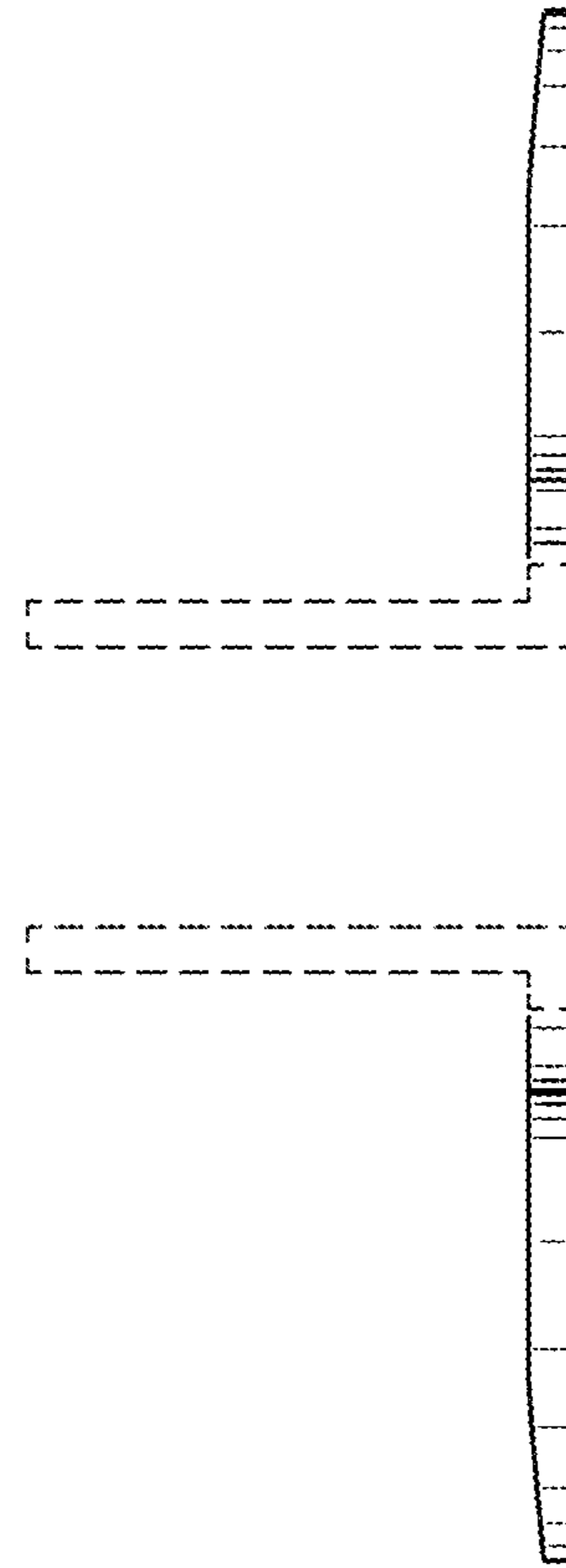


FIG. 3

FIG. 4

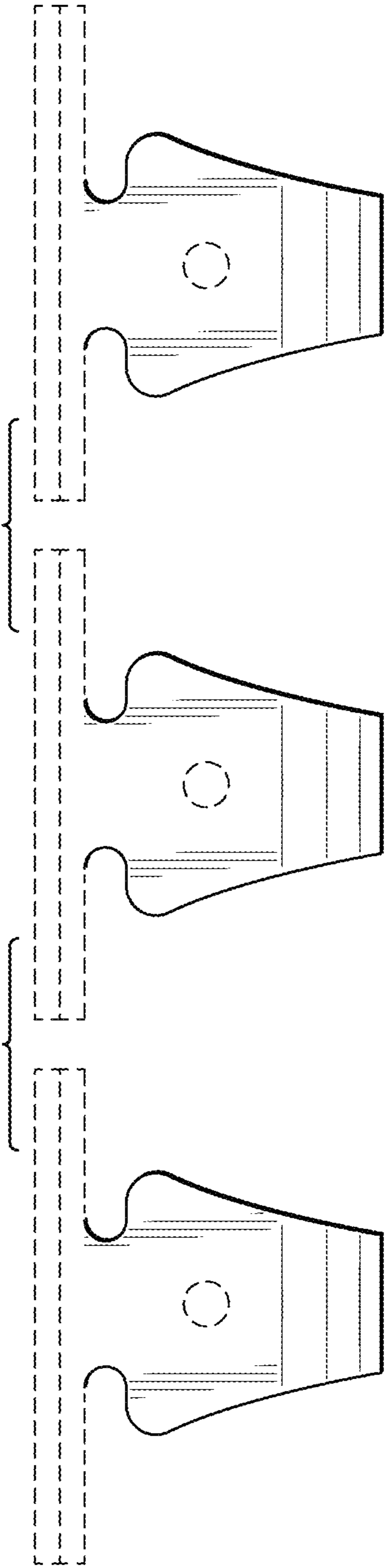


FIG. 5

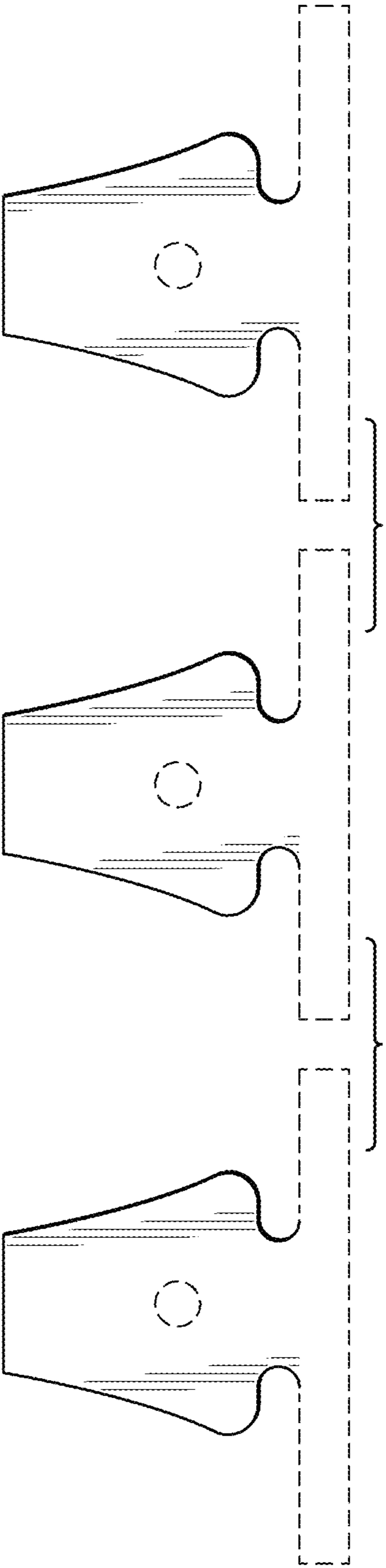


FIG. 6