



US00D800350S

(12) **United States Design Patent** (10) **Patent No.:** **US D800,350 S**
Sawatzky et al. (45) **Date of Patent:** **** Oct. 17, 2017**

(54) **FRAME FOR A WINDOW OR DOOR**
(71) Applicant: **Cascadia Fiberglass Inc.**, Vancouver (CA)
(72) Inventors: **Johan Sawatzky**, Abbotsford (CA); **Michael Steven Battistel**, Langley (CA); **Michael Jesse Bousfield**, Langley (CA)
(73) Assignee: **Cascadia Fiberglass Inc.**, Vancouver, BC
(**) Term: **15 Years**
(21) Appl. No.: **29/572,604**
(22) Filed: **Jul. 28, 2016**
(51) **LOC (10) Cl.** **11-01**
(52) **U.S. Cl.**
USPC **D25/124**
(58) **Field of Classification Search**
USPC D25/35, 38.1, 41.1, 43, 44, 47.1, 48.1, D25/48.2, 48.3, 48.4, 48.7, 55-57, 60, 61, D25/119-125, 126-137, 164, 199
CPC ... E04C 3/00; E04C 3/005; E04C 3/02; E04C 3/04; E04C 3/12; E04C 3/20; E04C 3/28; E04C 3/30; E04F 19/02; E04F 19/022; E04F 19/026; E04F 19/028; E04F 19/04; E04F 19/0436; E04F 19/0481; E04F 19/0486; E04F 19/06; E04F 19/061; E06B 1/00; E06B 1/006; E06B 1/02; E06B 1/04; E06B 1/045; E06B 1/12; E06B 1/34; E06B 1/342; E06B 1/345; E06B 1/347; E06B 1/36; E06B 1/363; E06B 1/366; E06B 1/38; E06B 1/40; E06B 1/52; E06B 1/522; E06B 1/524; E06B 1/526; E06B 1/528; E06B 1/56; E06B 1/60; E06B 1/6092; E06B 1/62; E06B 1/70; E06B 1/702; E06B 1/705; E06B 1/707; E04B 2/00; E04B 2/74; E04B 2/76; E04B 2/761; E04B 2/762; E04B 2/763; E04B 2/764; E04B 2/765;

E04B 2/7854; E04B 2/7863; E04B 2/7872; E04B 2/7881; E04B 2/789; E04B 2001/2436; E04B 2001/2439; E04B 2001/2442; E04B 2001/2445; E04B 2001/2448; E04B 2001/2451; E04B 2001/2454; E04B 2001/2457; E04B 2001/246; E04B 2001/2463
See application file for complete search history.

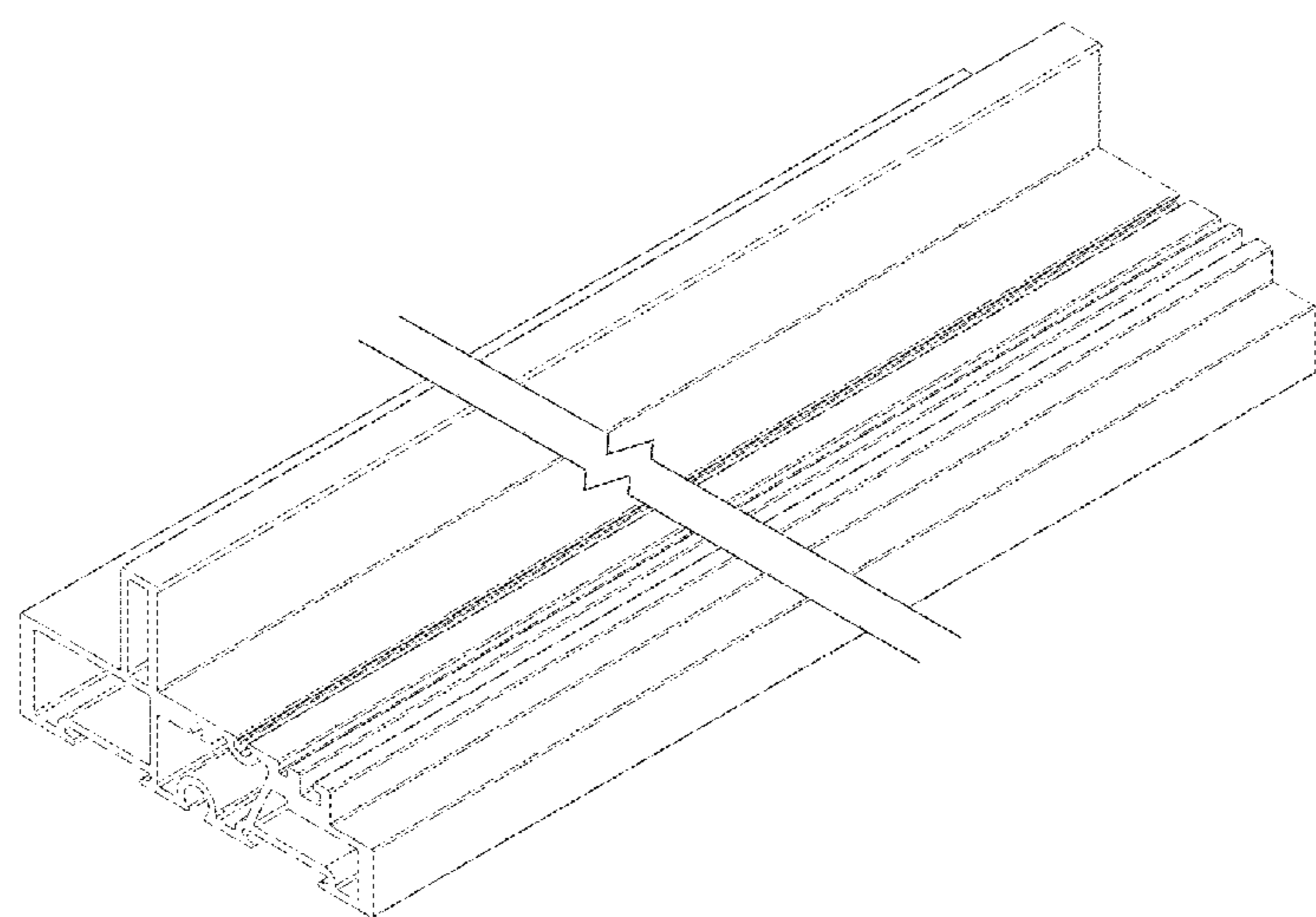
(56) **References Cited**
U.S. PATENT DOCUMENTS
D377,533 S * 1/1997 Dallaire D25/125
D378,854 S * 4/1997 Dallaire D25/124
D378,855 S * 4/1997 Dallaire D25/124
D382,071 S * 8/1997 Dallaire D25/124
D408,563 S * 4/1999 Hart D25/124
D481,468 S * 10/2003 Dallaire D25/119
(Continued)

Primary Examiner — Cynthia Ramirez
Assistant Examiner — Llorellys Martinez-Rivera
(74) *Attorney, Agent, or Firm* — Oyen Wiggs Green & Mutala LLP

(57) **CLAIM**
The ornamental design for a frame for a window or door, as shown and described.

DESCRIPTION
FIG. 1 is an end elevation view of a frame for a window or door showing our new design;
FIG. 2 is a perspective view thereof;
FIG. 3 is another perspective view thereof;
FIG. 4 is another perspective view thereof; and,
FIG. 5 is another perspective view thereof.
The frame for a window or door is shown with a symbolic break line in its length. The appearance of any portion of the frame for a window or door between the jagged break lines forms no part of the claimed design.

1 Claim, 5 Drawing Sheets



(56)

References Cited

U.S. PATENT DOCUMENTS

D713,977 S * 9/2014 Jenkins D25/124
D777,949 S * 1/2017 Fannan D25/124

* cited by examiner

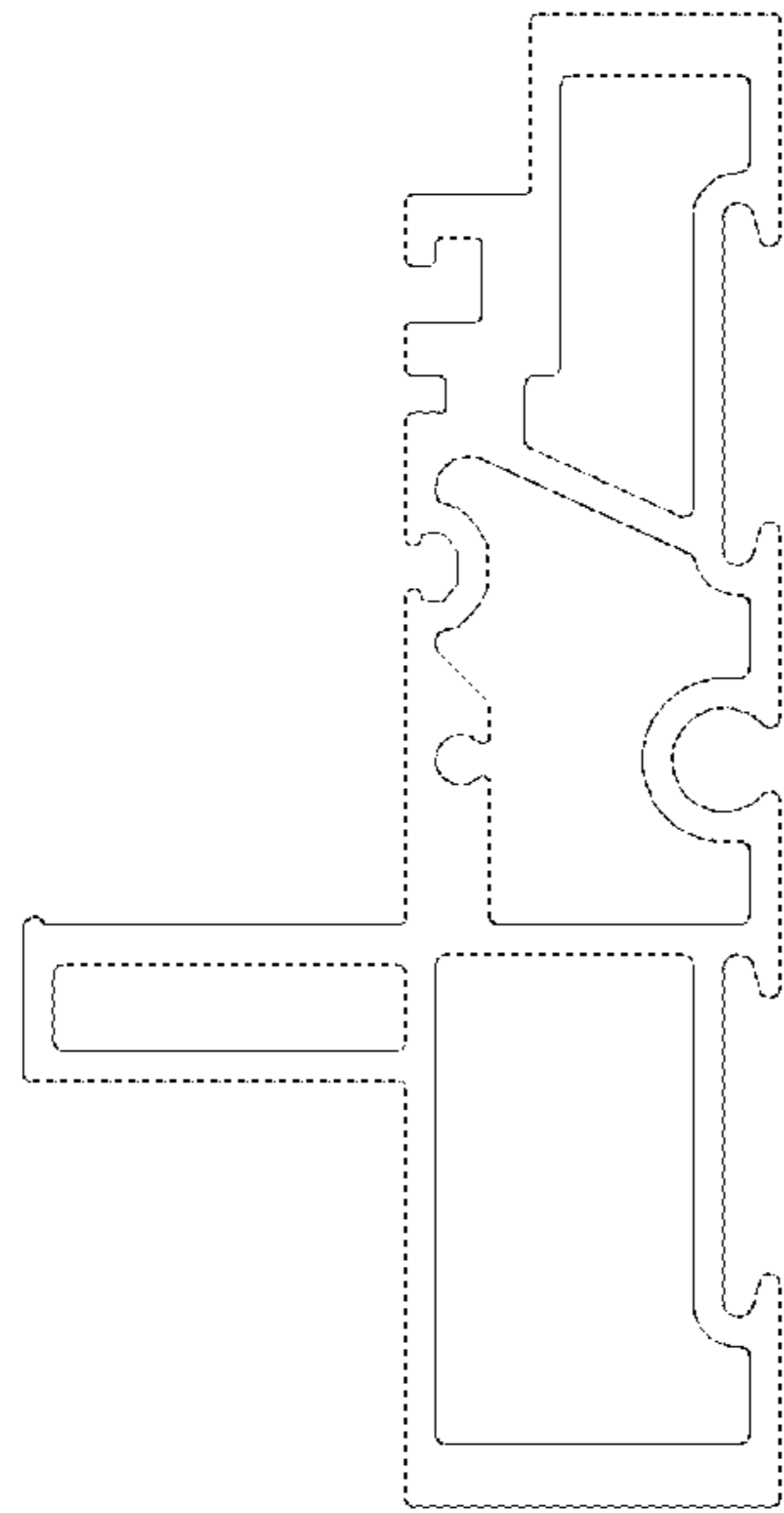


FIG. 1

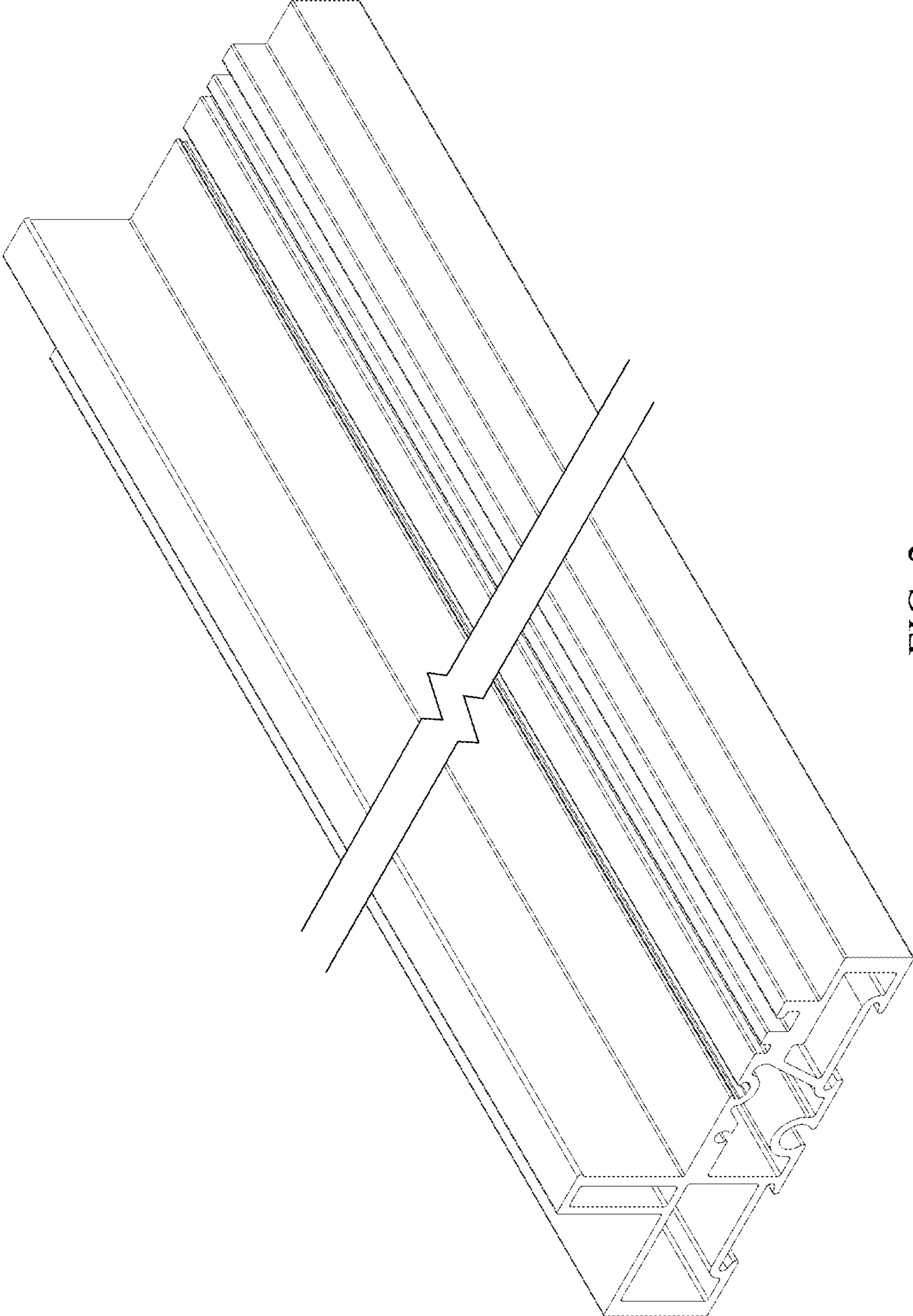


FIG. 2

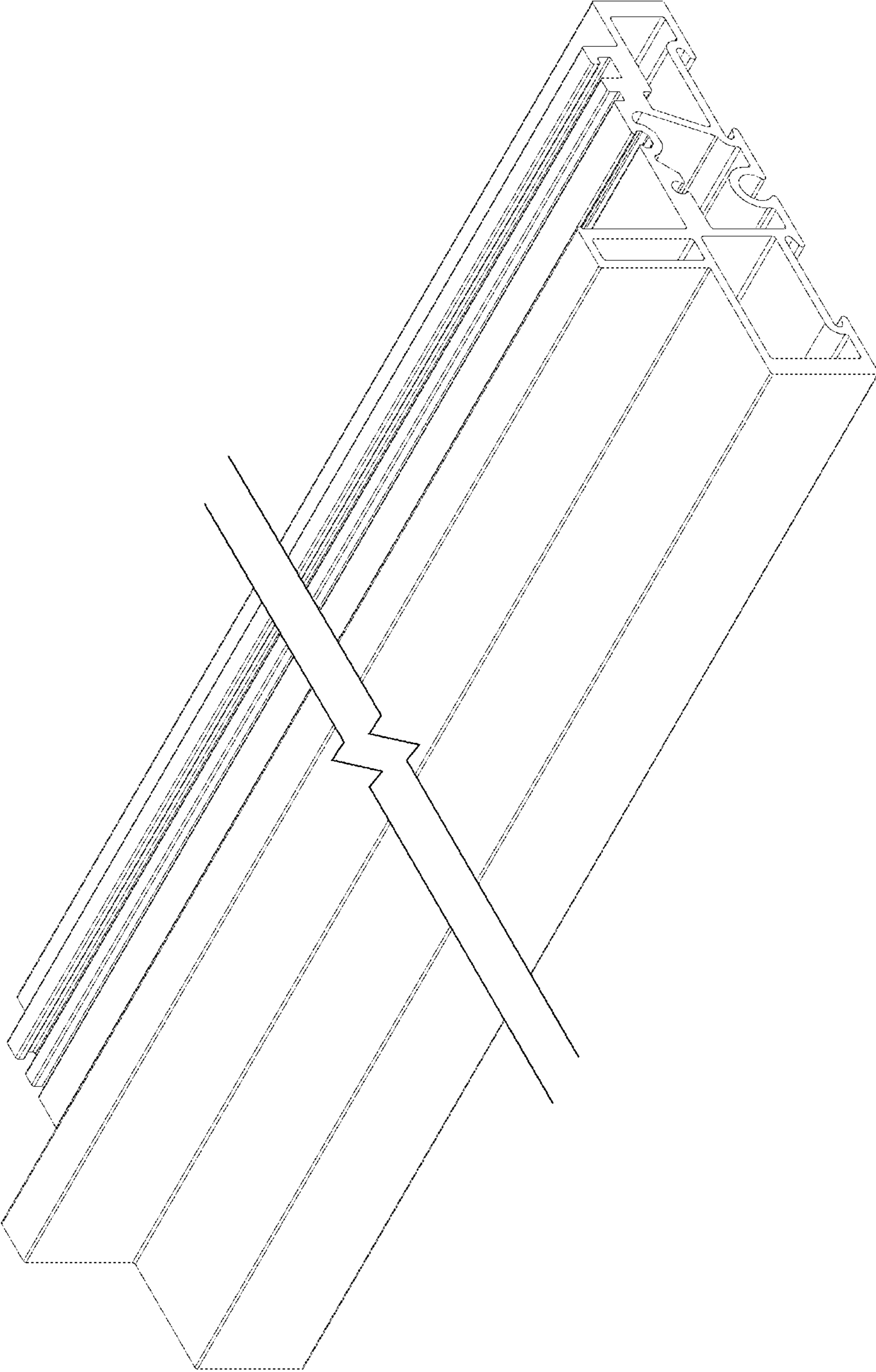


FIG. 3

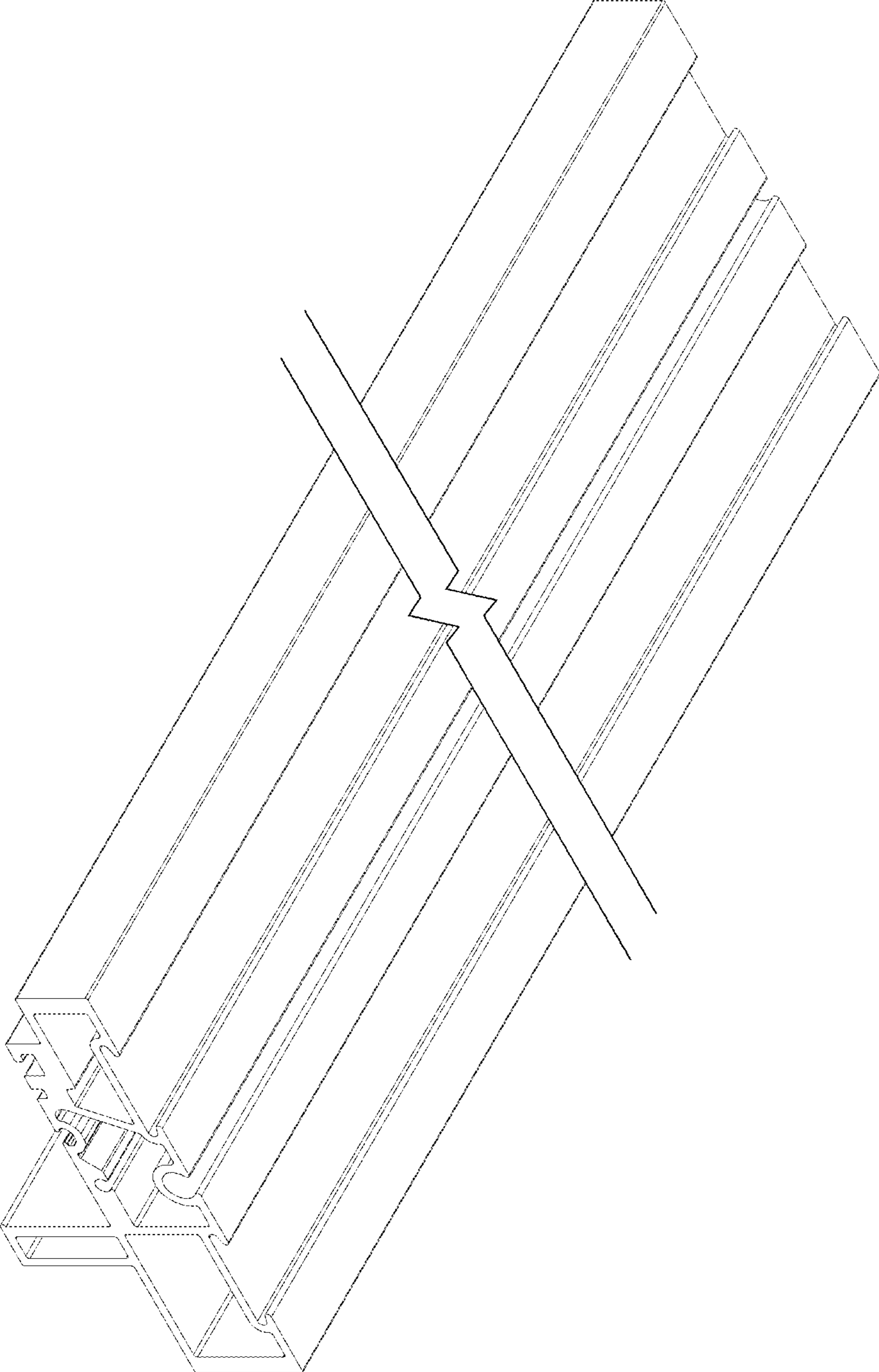


FIG. 4

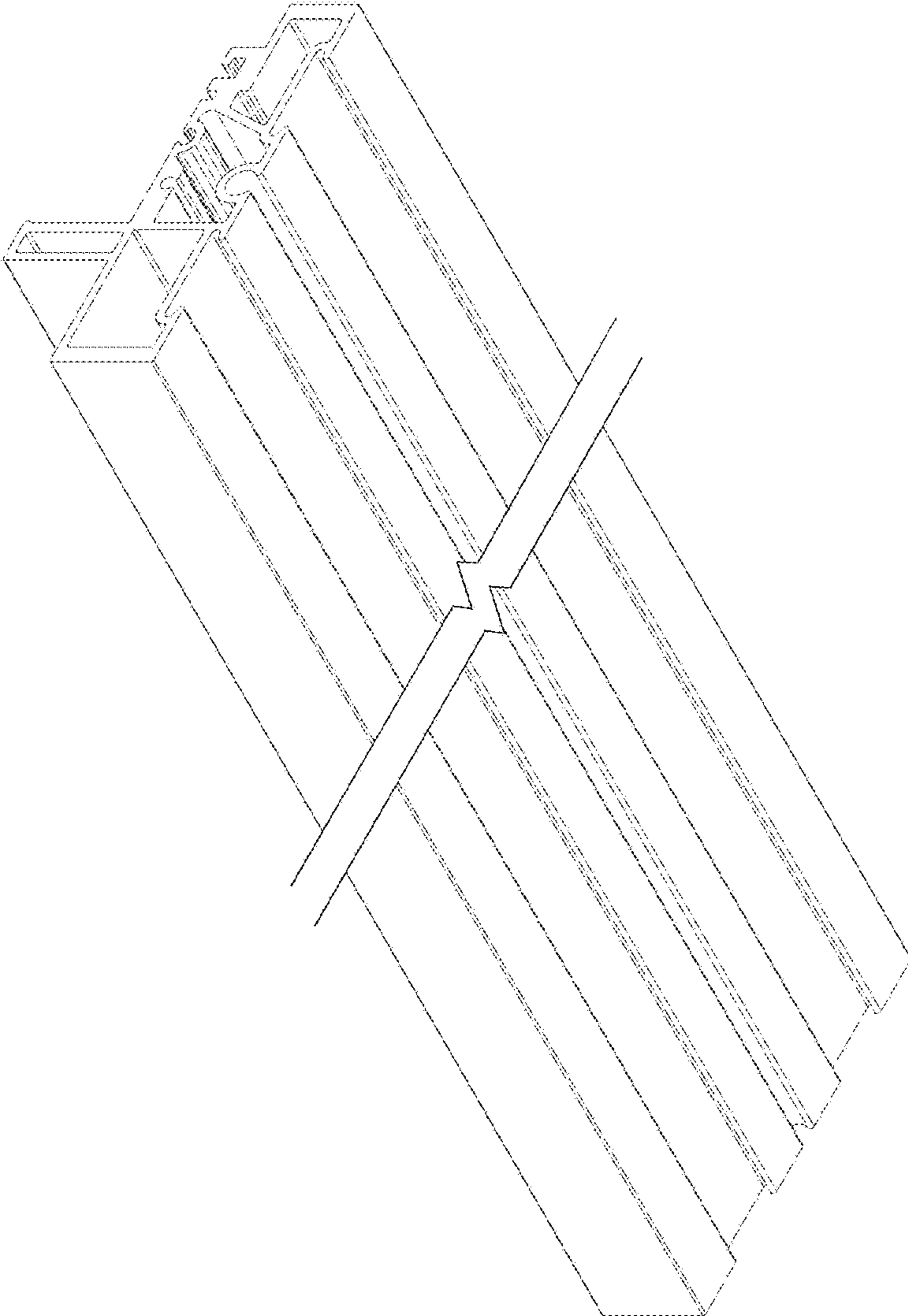


FIG. 5