



US00D800349S

(12) **United States Design Patent**
Honermann

(10) **Patent No.:** **US D800,349 S**
(45) **Date of Patent:** **** Oct. 17, 2017**

- (54) **SLAT WALL**
- (71) Applicant: **Quality Wood Designs, Inc.**, Mitchell, SD (US)
- (72) Inventor: **Michael A. Honermann**, Mitchell, SD (US)
- (73) Assignee: **Quality Wood Designs, Inc.**, Mitchell, SD (US)
- (**) Term: **15 Years**
- (21) Appl. No.: **29/536,627**
- (22) Filed: **Aug. 18, 2015**

Related U.S. Application Data

- (62) Division of application No. 29/460,783, filed on Jul. 15, 2013, now Pat. No. Des. 738,146.
- (51) **LOC (10) Cl.** **25-01**
- (52) **U.S. Cl.**
USPC **D25/123**; D6/683.1
- (58) **Field of Classification Search**
USPC D25/119, 122, 123, 124, 125; D6/466, D6/467, 468, 491, 509, 510, 511, 513, D6/553, 567, 672, 678, 683.1, 675.2, 681, D6/675.1, 702; D20/10
CPC A47F 5/08; A47F 5/0846; A47F 5/0807; A47F 5/13; E04F 2201/0115; E04F 13/08; E04F 13/0864
See application file for complete search history.

(56) **References Cited**

U.S. PATENT DOCUMENTS

- D205,891 S * 10/1966 Feliiani D25/156
- D209,418 S * 11/1967 Cutler D25/142
- D219,730 S * 1/1971 van den Broek D25/125
- 3,698,565 A * 10/1972 Weber A47F 5/0846
211/126.15
- 4,189,123 A * 2/1980 Johnson A47B 57/42
108/108

- 4,358,018 A * 11/1982 Wolfe B60R 7/088
206/387.15
- 4,508,231 A * 4/1985 Honickman A47B 57/34
160/236
- 4,694,965 A * 9/1987 Parnell A47F 5/0846
211/189
- 4,805,783 A 2/1989 Mayer
- 4,809,479 A * 3/1989 Tierno E04F 13/0864
211/189

(Continued)

OTHER PUBLICATIONS

Quality Wood Designs—Gondola and End Caps (on-line), dated Jan. 29, 2016. Retrieved from Internet Jun. 12, 2017, URL: <http://web.archive.org/web/20160129205452/http://www.qualitywood-designs.com/projects/gondolaandendcaps/> (2 pages).*

(Continued)

Primary Examiner — Vy Koenig

Assistant Examiner — Kimberly Barnes

(74) *Attorney, Agent, or Firm* — Peter J. Ims; Westman, Champlin & Koehler, P.A.

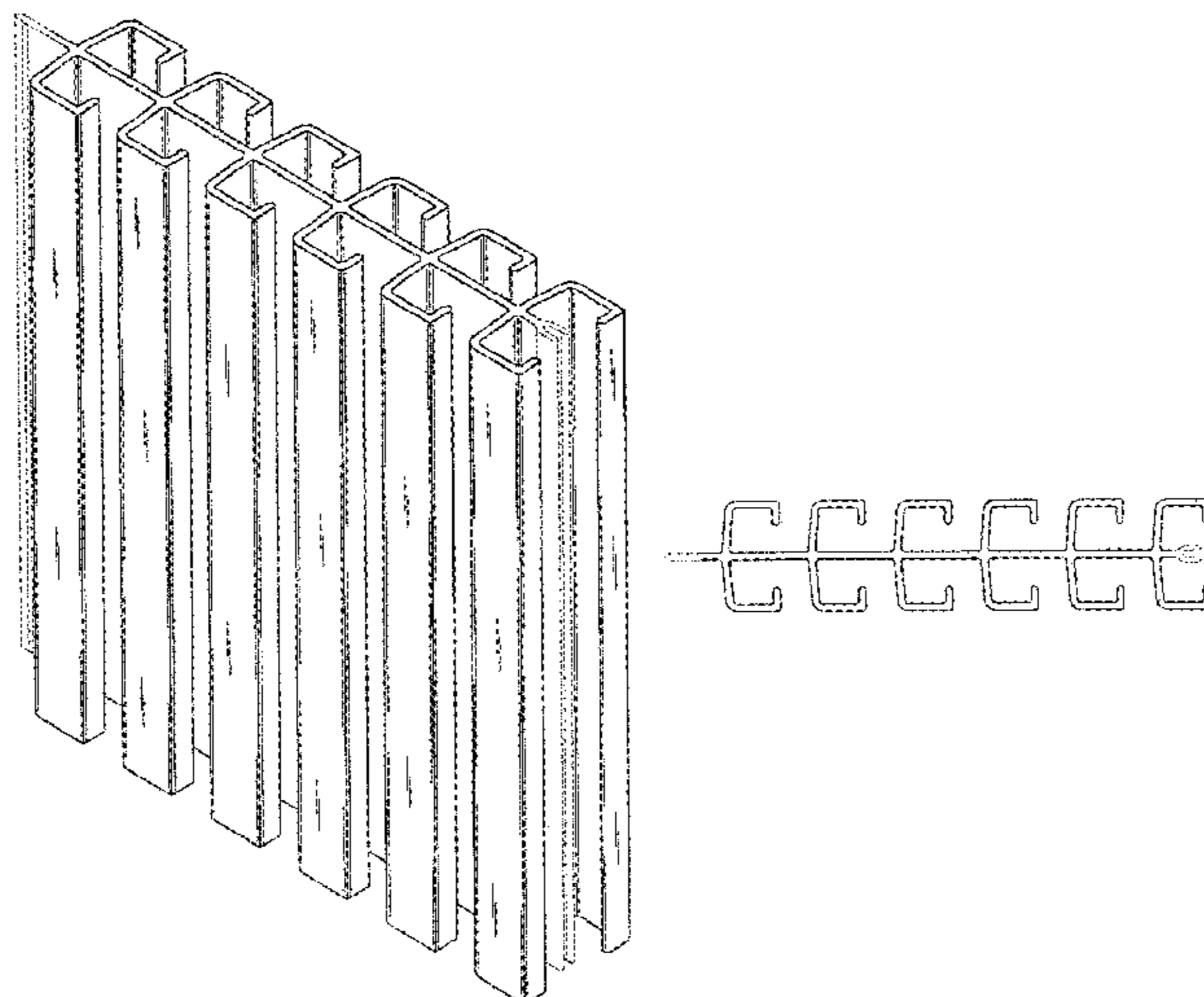
(57) **CLAIM**

The ornamental design for a slat wall, as shown and described.

DESCRIPTION

FIG. 1 is a perspective view of a slat wall;
FIG. 2 is a front view of the slat wall where the front view and the back view are mirror images of each other;
FIG. 3 is a top view of the slat wall, where the bottom view is identical to the top view.
FIG. 4 is a right side view of the slat wall; and,
FIG. 5 is a left side view of the slat wall.
The broken lines shown in the drawings are included for purposes of illustrating portions of the slat wall that form no part of the claimed design.

1 Claim, 3 Drawing Sheets



(56)

References Cited

U.S. PATENT DOCUMENTS

4,961,295 A 10/1990 Kosch et al.
 5,101,986 A 4/1992 Holztrager
 5,228,579 A * 7/1993 Kaufman A47F 5/0846
 211/94.01
 D349,202 S * 8/1994 Eliadis D6/672
 D351,666 S 10/1994 Cole
 5,376,468 A * 12/1994 Arai H01M 8/2425
 429/161
 5,409,120 A 4/1995 Miller et al.
 5,412,912 A 5/1995 Alves
 5,431,761 A 7/1995 Holztrager
 5,485,934 A 1/1996 Holztrager
 5,655,674 A 8/1997 Holztrager
 5,667,083 A * 9/1997 Schnoor G11B 23/0236
 206/387.15
 D404,148 S * 1/1999 Laskowski D25/123
 5,921,044 A 7/1999 Holztrager
 5,944,203 A 8/1999 Vlah et al.
 5,983,574 A 11/1999 Holztrager
 6,068,135 A 5/2000 Holztrager
 D426,089 S * 6/2000 Vlah D6/682
 6,164,467 A 12/2000 DePottay et al.
 6,185,899 B1 2/2001 De Niet
 6,282,278 B1 8/2001 Doganata et al.
 6,325,223 B1 12/2001 Hannen
 6,349,507 B1 2/2002 Muellerleile
 6,491,172 B2 12/2002 Chance et al.
 D471,993 S 3/2003 Holztrager
 6,681,510 B1 1/2004 Salatin et al.

6,763,957 B1 * 7/2004 Mullerleile A47F 5/0846
 211/59.1
 6,837,384 B2 1/2005 Secondino
 D511,581 S 11/2005 Holztrager
 7,093,726 B1 8/2006 Holztrager
 7,104,023 B1 9/2006 Holztrager
 D532,120 S 11/2006 Holztrager
 D533,283 S 12/2006 Holztrager
 D551,470 S * 9/2007 Loew D25/122
 D551,781 S * 9/2007 Abdullah D25/123
 D552,894 S * 10/2007 Loew D25/122
 D554,912 S * 11/2007 Scicluna D6/672
 7,571,571 B1 8/2009 Mershon
 7,866,107 B2 * 1/2011 Conradi E04F 13/0864
 52/473
 D704,484 S 5/2014 Thrush
 D726,447 S 4/2015 Nutsch et al.
 D738,146 S * 9/2015 Honermann D6/683.1
 2006/0091094 A1 * 5/2006 Schuberth A47F 5/0846
 211/94.01
 2007/0090067 A1 4/2007 Holztrager
 2008/0000861 A1 1/2008 Muellerleile
 2010/0308702 A1 12/2010 Apgood et al.
 2011/0303798 A1 12/2011 Bader et al.

OTHER PUBLICATIONS

Testrite Visual Bulk Slatwall (on-line), no date available. Retrieved from Internet Jun. 12, 2017, URL: <https://www.testrite.com/products/aluminum-slatwall-displays/bulk-slatwall/bulk-slatwall/bulk-slatwall> (3 pages).*

* cited by examiner

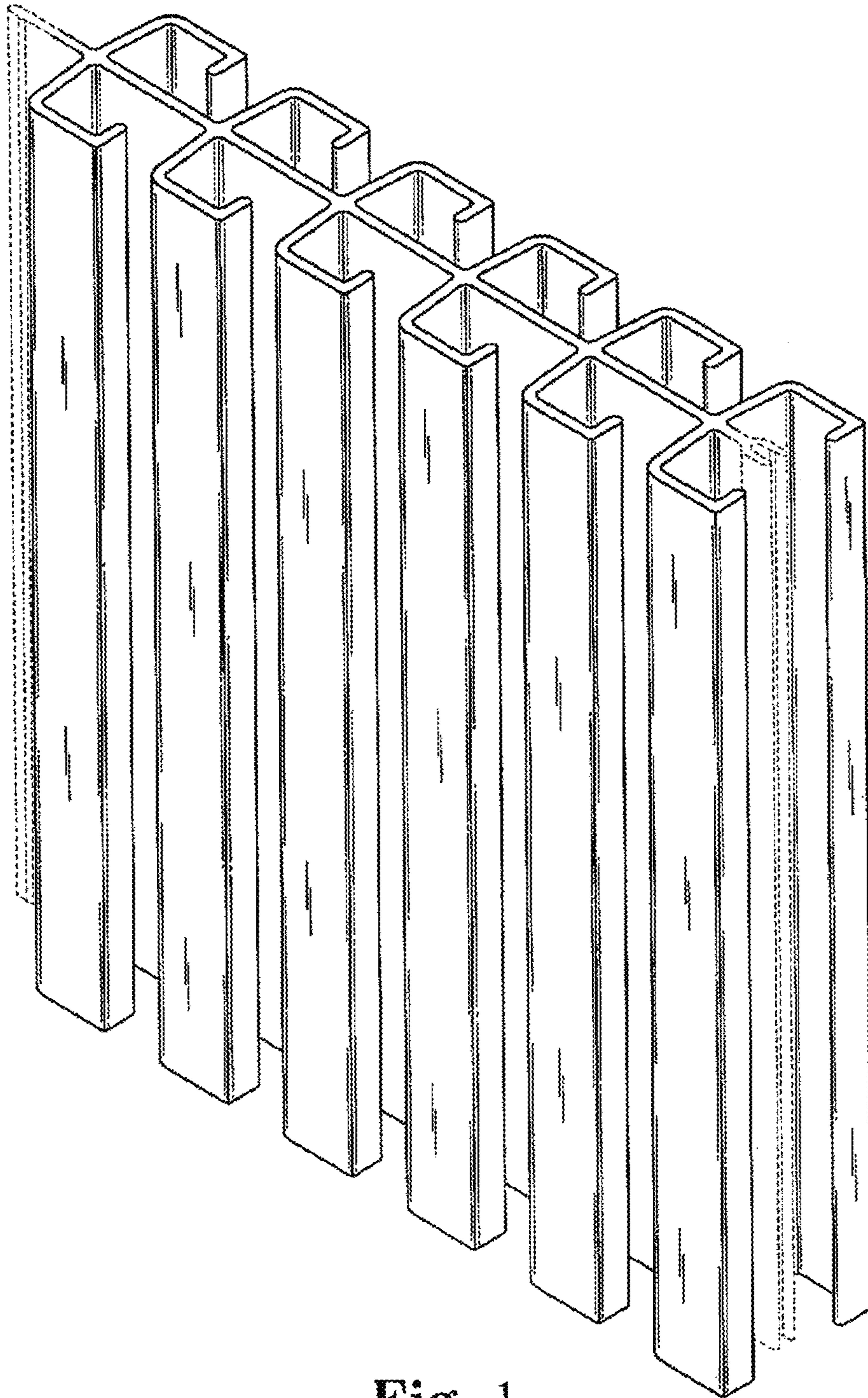


Fig. 1

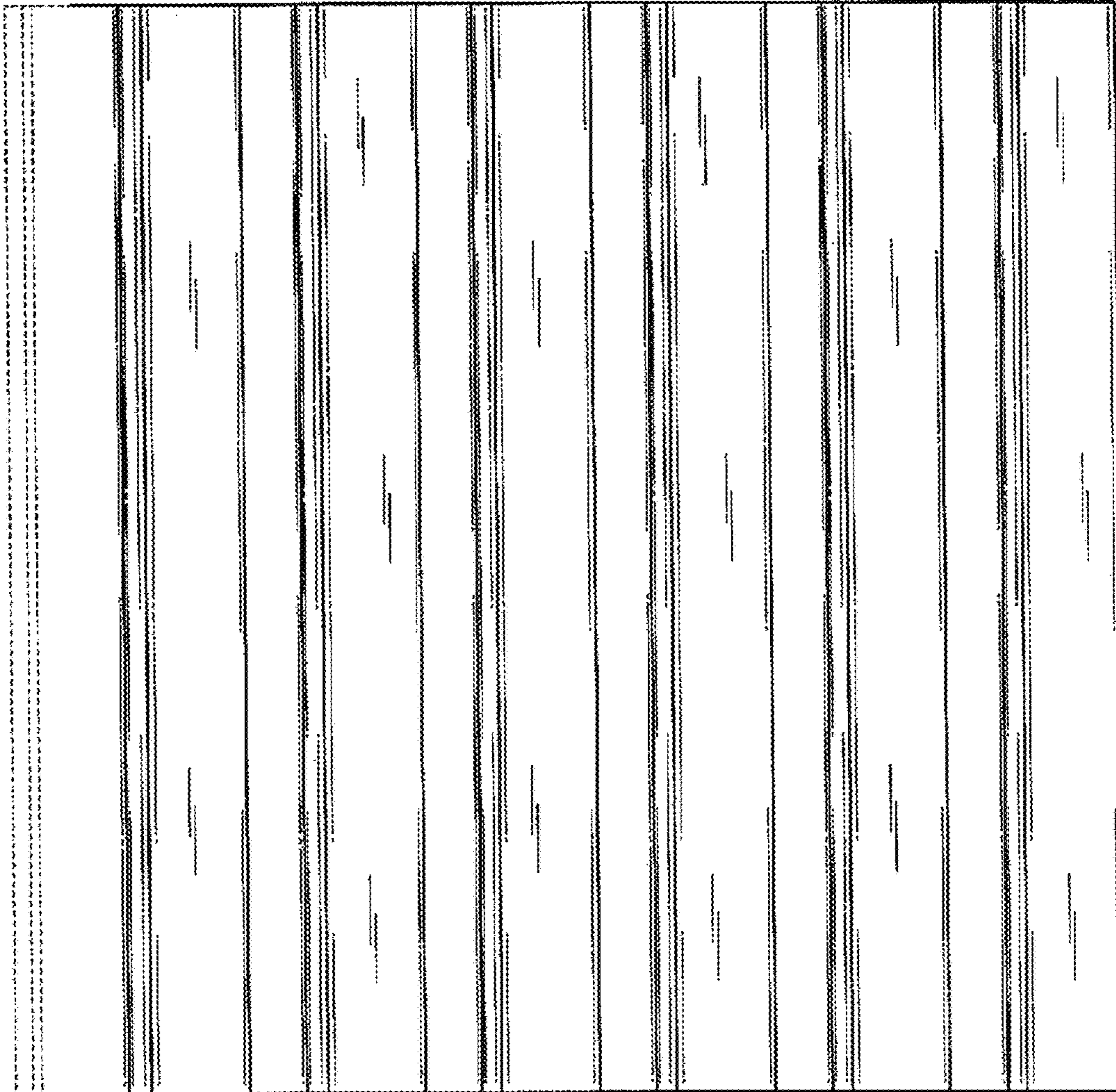


Fig. 2

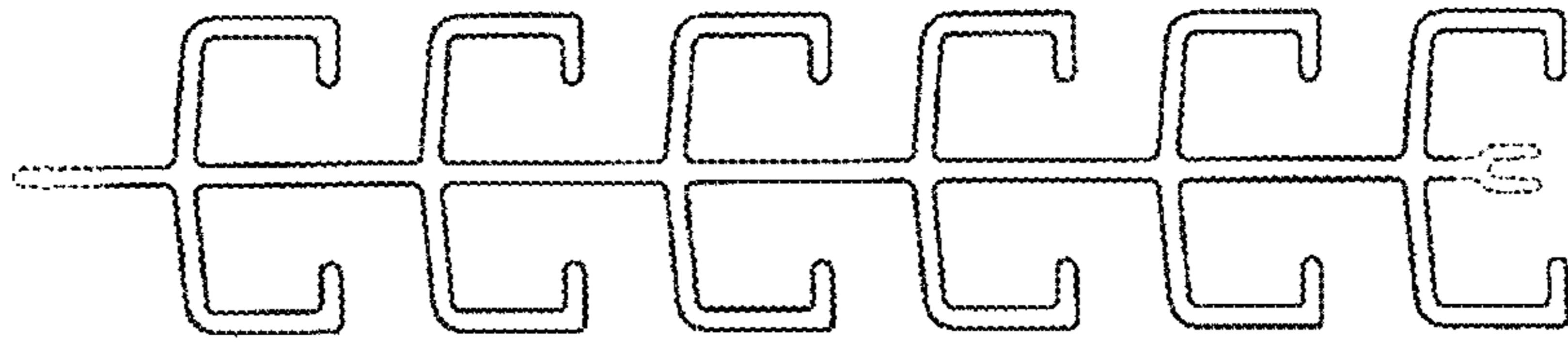


Fig. 3

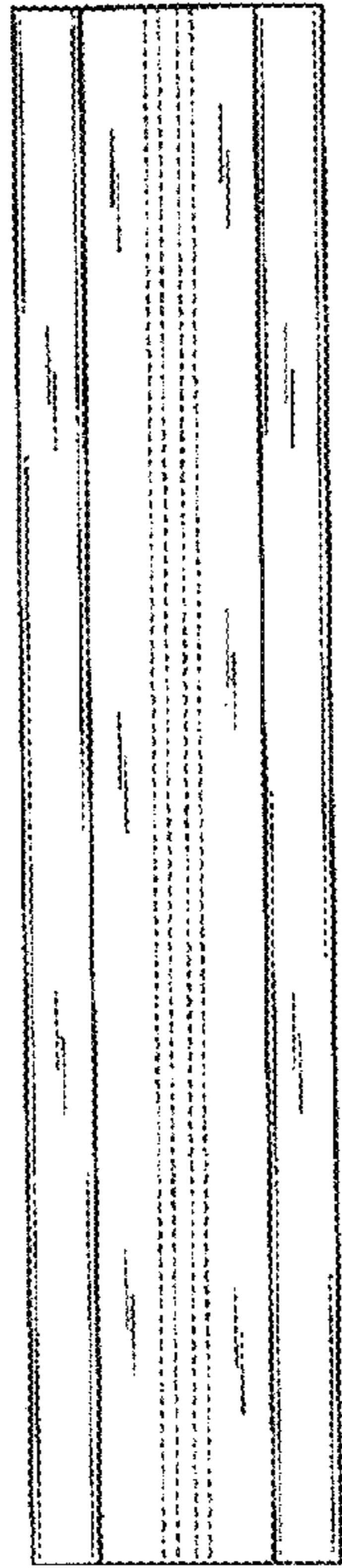


Fig. 4

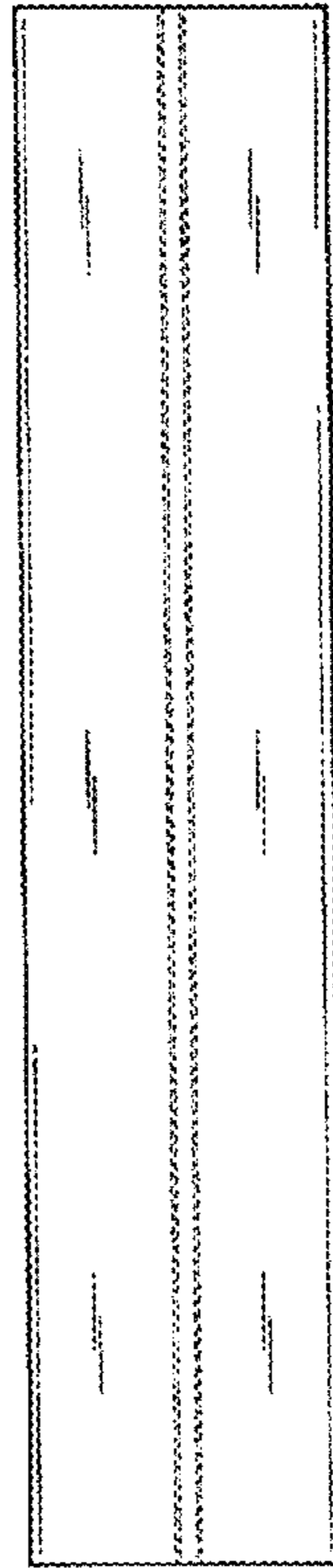


Fig. 5