



US00D800347S

(12) **United States Design Patent** (10) **Patent No.:** **US D800,347 S**
Blick (45) **Date of Patent:** **** Oct. 17, 2017**

(54) **CROSS MEMBER EXTRUSION**
(71) Applicant: **John Blick**, Laguna Beach, CA (US)
(72) Inventor: **John Blick**, Laguna Beach, CA (US)
(**) Term: **15 Years**
(21) Appl. No.: **29/566,125**
(22) Filed: **May 26, 2016**
(51) **LOC (10) Cl.** **25-02**
(52) **U.S. Cl.**
USPC **D25/119**
(58) **Field of Classification Search**
USPC D25/35, 38.1, 41.1, 43, 44, 48.1, 48.2,
D25/48.3, 55, 58, 60, 61, 119-129, 136,
D25/137, 164, 199; D26/138, 141, 142;
D6/702, 705.6, 709.2, 709.21, 712, 719
CPC E06B 1/00; E06B 1/02; E06B 1/04; E06B
1/045; E06B 1/12; E06B 1/34; E06B
1/342; E06B 1/345; E06B 1/347; E06B
1/36; E06B 1/363; E06B 1/366; E06B
1/38; E06B 1/40; E06B 1/52; E06B
1/522; E06B 1/524; E06B 1/526; E06B
1/528; E06B 1/56; E06B 1/60; E06B
1/6092; E06B 1/62; E06B 1/70; E06B
1/702; E06B 1/705; E04C 3/00; E04C
3/005; E04C 3/02; E04C 3/30; E04C
3/38; E04C 2003/026; E04D 13/15; E04D
13/151; E04D 13/155; E04D 13/158;
E04F 11/18; E04F 11/1802; A47B 91/00;
A47B 91/005

See application file for complete search history.

(56) **References Cited**
U.S. PATENT DOCUMENTS
D290,404 S * 6/1987 Stoler D25/119
D374,650 S * 10/1996 Shermeto D25/125
5,803,653 A * 9/1998 Zuffetti E04C 3/005
52/645
D621,964 S * 8/2010 Zadeh E04B 2/767
D25/121
D653,773 S * 2/2012 Sutton D25/121
D660,544 S * 5/2012 Onayama D25/119
D696,814 S * 12/2013 Matus, Jr. D26/138
D771,477 S * 11/2016 Anderson D25/121
D775,374 S * 12/2016 Walker D25/126

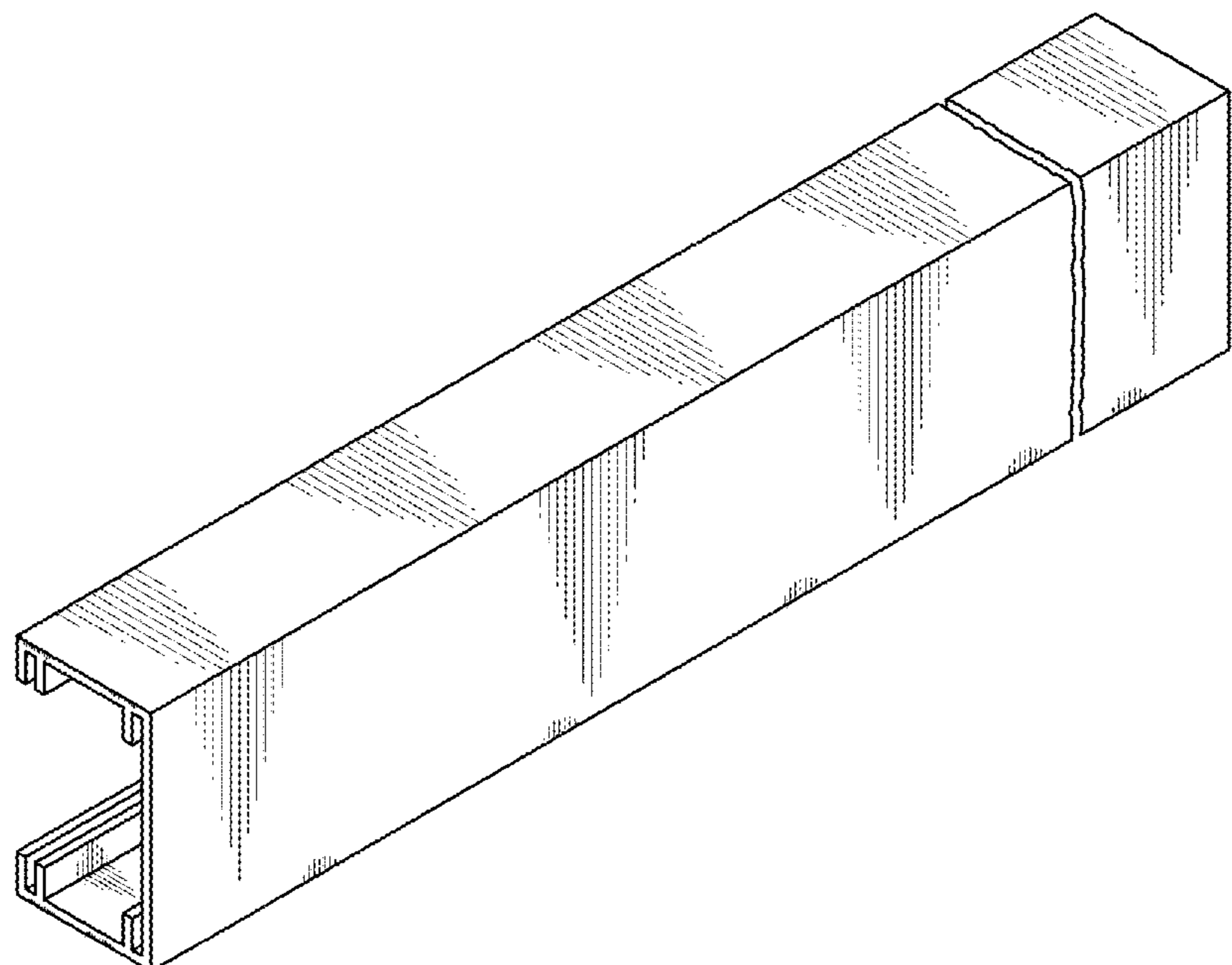
* cited by examiner

Primary Examiner — Cynthia Ramirez
Assistant Examiner — Llorelys Martinez-Rivera
(74) *Attorney, Agent, or Firm* — Curtis L. Harrington;
Harrington & Harrington

(57) **CLAIM**
The ornamental design for a cross member extrusion, as shown and described.

DESCRIPTION
FIG. 1 is a perspective view of a cross member extrusion showing my new design; and, FIG. 2 is an end elevational view of the cross member extrusion of FIG. 1.
The cross member extrusion is shown with a symbolic break in its length. The appearance of any portion of the cross member extrusion between the break lines forms no part of the claimed design.

1 Claim, 1 Drawing Sheet



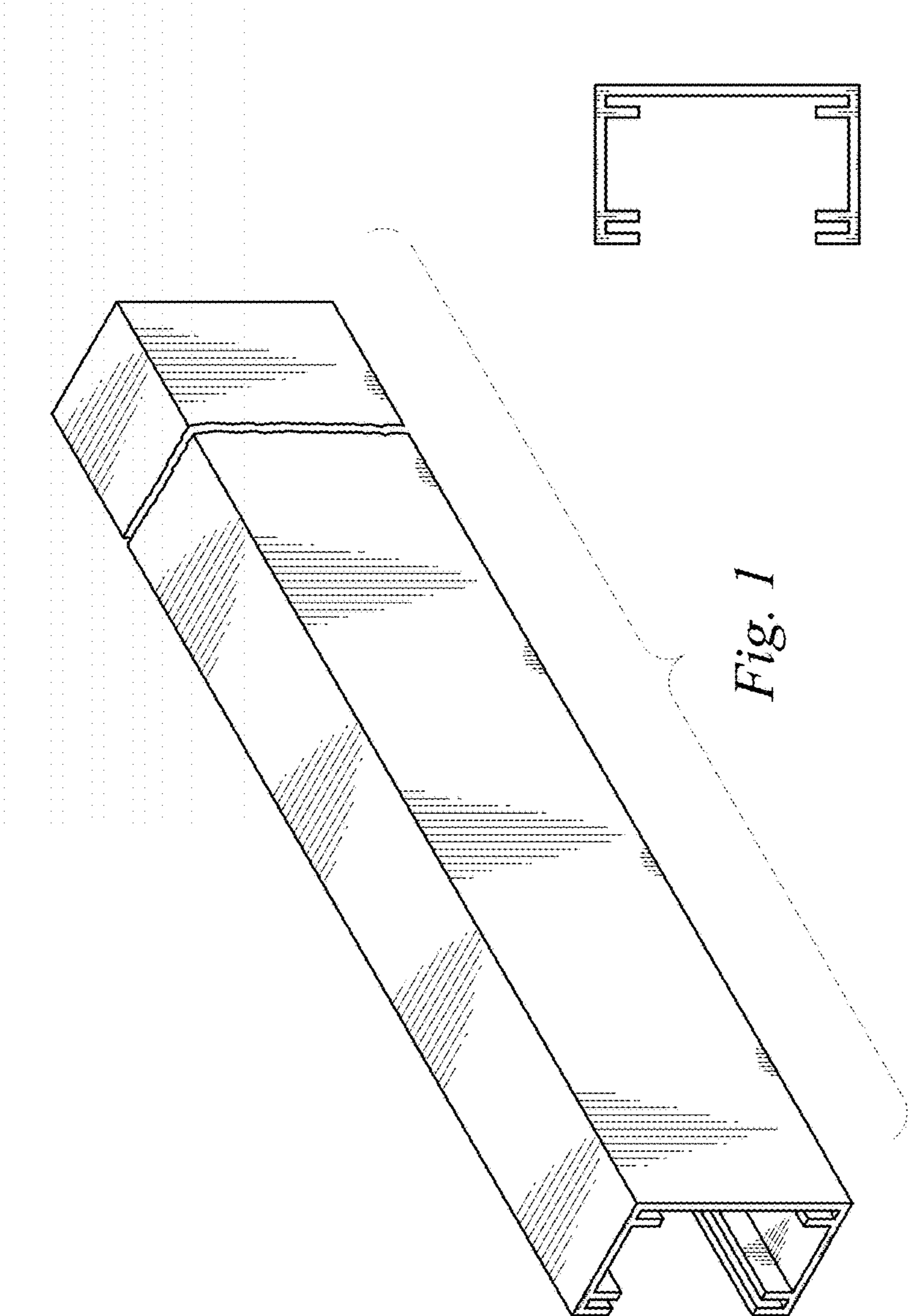


Fig. 1



Fig. 2