



US00D800345S

(12) **United States Design Patent** (10) **Patent No.:** **US D800,345 S**  
**Apanovich et al.** (45) **Date of Patent:** **\*\* Oct. 17, 2017**

(54) **CHANNEL REVEAL WITH RIBBED FLANGES**

FOREIGN PATENT DOCUMENTS

(71) Applicant: **CLARKWESTERN DIETRICH BUILDING SYSTEMS LLC**, West Chester, OH (US)

AU 653276 9/1994  
BE 1019998 A3 3/2013  
(Continued)

(72) Inventors: **Nick Joseph Apanovich**, Tampa, FL (US); **Erenio Reyes**, Miami, FL (US); **Hernando Garcia**, Miami, FL (US); **James Michael Wielinga**, Parkland, FL (US)

OTHER PUBLICATIONS

“Casing Beads with Reveal,” Vinyl Corp., 2015, 1 pg., downloaded Nov. 29, 2016 from <http://www.vinylcorp.com/products/stucco-plaster/casing-beads/casing-beads-reveal>.

(Continued)

(73) Assignee: **CLARKWESTERN DIETRICH BUILDING SYSTEMS**, West Chester, OH (US)

*Primary Examiner* — Cynthia Ramirez

*Assistant Examiner* — Llorellys Martinez-Rivera

(74) *Attorney, Agent, or Firm* — Frost Brown Todd LLC

(\*\*) Term: **15 Years**

(57) **CLAIM**

(21) Appl. No.: **29/553,907**

The ornamental design for a channel reveal with ribbed flanges, as shown and described.

(22) Filed: **Feb. 5, 2016**

(51) **LOC (10) Cl.** ..... **25-02**

(52) **U.S. Cl.**  
USPC ..... **D25/119**

(58) **Field of Classification Search**  
USPC ..... D25/35, 47.1, 48.1, 48.2, 48.3, 48.4, D25/48.7, 55, 56, 58–61, 119–132, 138, D25/139, 164; 52/58, 68, 96, 97, 204.5, 52/204.53, 208, 209, 255, 254, 287.1, 52/293.3, 302.6, 443, 444, 716.1, 716.2, 52/716.6–716.8, 717.01, 717.03; D23/167, 267, 386

(Continued)

(56) **References Cited**

U.S. PATENT DOCUMENTS

1,224,077 A 4/1917 Grove et al.  
1,736,873 A 11/1929 Barton

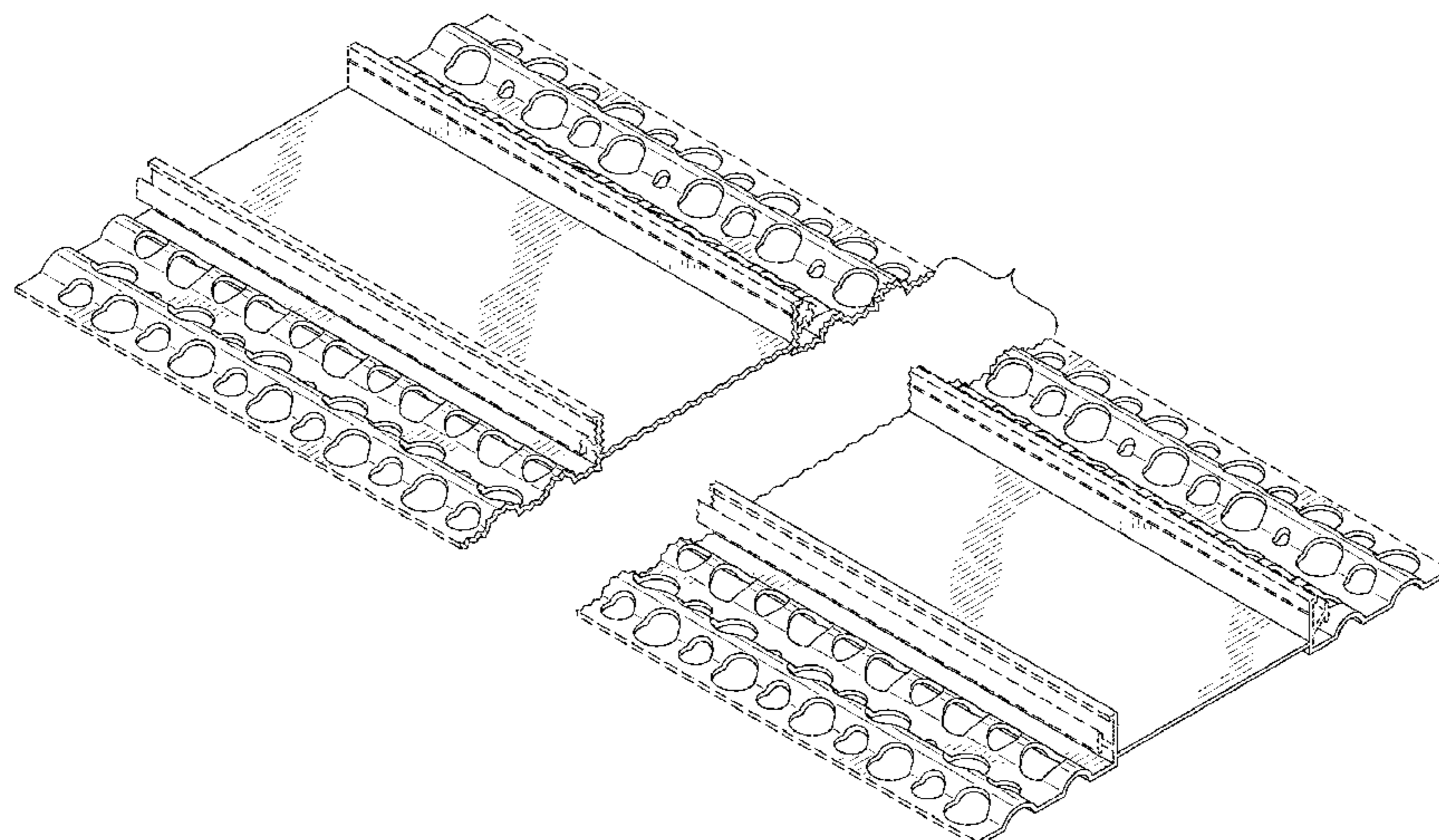
(Continued)

**DESCRIPTION**

FIG. 1 is a top perspective view of a channel reveal with ribbed flanges, showing our new design; FIG. 2 is a bottom perspective view thereof; FIG. 3 is a left side elevation view thereof; FIG. 4 is a right side elevation view thereof; FIG. 5 is a front elevation view thereof; FIG. 6 is a rear elevation view thereof; FIG. 7 is a top plan view thereof; and, FIG. 8 is a bottom plan view thereof.

The broken lines in FIGS. 1-8 are included for purposes of illustrating portions of the channel reveal with ribbed flanges that form no part of the claimed design. The channel reveal with ribbed flanges is shown with a symbolic break in its length. The appearance of any portion of the channel reveal with ribbed flanges between the jagged break lines forms no part of the claimed design.

**1 Claim, 6 Drawing Sheets**



(58) **Field of Classification Search**

CPC ..... E04F 19/00; E04F 19/02; E04F 19/022;  
E04F 19/026; E04F 19/04; E04F 19/06;  
E04F 19/061; E04F 13/00; E04F 13/06;  
E04B 2/00; E04B 7/00; E04B 5/12; E04C  
3/02; E04C 3/04; E04C 3/12; E04C  
3/292; E04C 2003/0404; E04C  
2003/0452; E04C 2003/046; E04C  
2003/0482; E04D 13/15; E04D 13/0459;  
E04D 1/36

See application file for complete search history.

(56) **References Cited**

U.S. PATENT DOCUMENTS

1,853,310	A	4/1932	Marks	
2,167,998	A	8/1939	Reid	
2,350,790	A	6/1944	McCarthy	
2,679,156	A	5/1954	McFarland	
D200,699	S	3/1965	Pappas	
3,192,577	A	7/1965	Thomas	
3,295,268	A *	1/1967	Gaither	..... E04F 13/06 52/255
3,412,512	A	11/1968	Hollister	
3,515,373	A *	6/1970	Abbe	..... E04H 17/063 52/102
3,754,367	A	8/1973	O’Konski et al.	
D230,583	S	3/1974	La Borde	
D250,420	S	11/1978	Ward	
4,825,612	A *	5/1989	Tupman	..... E04F 19/062 52/288.1
5,365,713	A	11/1994	Nicholas et al.	
5,419,084	A	5/1995	Sankey et al.	
5,423,154	A *	6/1995	Maylon	..... E04F 13/06 52/717.05
5,625,986	A	5/1997	Mansfield et al.	
5,699,638	A	12/1997	Maylon	
5,761,866	A *	6/1998	Maylon	..... E04F 13/06 52/255
5,946,870	A *	9/1999	Bifano	..... E04F 19/02 52/254
5,970,671	A	10/1999	Bifano et al.	
6,119,429	A	9/2000	Bifano et al.	
6,134,847	A	10/2000	Bifano et al.	
6,189,273	B1 *	2/2001	Larson	..... E04F 13/06 52/255
6,293,064	B1	9/2001	Larson	
6,298,609	B1	10/2001	Bifano et al.	
D456,528	S *	4/2002	Maylon	..... D25/121
D459,007	S *	6/2002	Campacci	..... D25/119
6,470,638	B1	10/2002	Larson	
D471,991	S *	3/2003	Maylon	..... D25/119
D477,420	S	7/2003	Butcher	
6,609,341	B2	8/2003	Maylon et al.	
6,691,476	B1	2/2004	Kunz	
6,698,144	B1	3/2004	Larson	
D503,227	S	3/2005	Rodolfo et al.	
D503,469	S	3/2005	Rodolfo et al.	
D529,630	S	10/2006	Zarb	
7,200,970	B2	4/2007	Koenig, Jr. et al.	
D551,783	S *	9/2007	Lowman	..... D25/158
7,296,387	B2	11/2007	Milu	
D575,139	S	8/2008	LePoire et al.	
7,654,049	B2	2/2010	Koenig, Jr. et al.	
7,673,428	B1	3/2010	Smythe	
D652,532	S	1/2012	Letham	
D652,955	S	1/2012	Budzik	
D656,603	S	3/2012	Egan et al.	
8,511,016	B2	8/2013	Smythe, Jr.	
D693,483	S *	11/2013	Krieger	..... E04F 13/0826 D25/119
8,584,416	B2 *	11/2013	Chenier	..... E04F 13/06 52/393
8,615,950	B1	12/2013	Gomes	
D700,717	S	3/2014	Campacci	

D703,306	S	4/2014	Little et al.	
D703,307	S	4/2014	Little et al.	
D711,556	S	8/2014	Singh	
8,869,491	B2	10/2014	Little et al.	
8,875,468	B2	11/2014	Dhinjan	
8,910,437	B2	12/2014	Robertson	
D742,546	S	11/2015	Singh	
9,200,454	B2	12/2015	Little et al.	
9,303,413	B2	4/2016	Koenig, Jr. et al.	
D761,971	S *	7/2016	Apanovich	..... D25/119
D762,310	S *	7/2016	Apanovich	..... D25/119
9,422,730	B2	8/2016	Curtis et al.	
9,435,114	B1 *	9/2016	Preston	..... E04F 13/06
D768,877	S	10/2016	Mumford, Sr.	
D768,878	S	10/2016	Mumford, Sr.	
D768,879	S	10/2016	Mumford, Sr.	
D768,880	S	10/2016	Mumford, Sr.	
D768,881	S	10/2016	Mumford, Sr.	
D768,882	S	10/2016	Mumford, Sr.	
D769,459	S	10/2016	Mumford, Sr.	
D769,460	S	10/2016	Mumford, Sr.	
D769,461	S	10/2016	Mumford, Sr.	
D769,462	S	10/2016	Mumford, Sr.	
D771,838	S	11/2016	Mumford, Sr.	
D774,214	S	12/2016	Mumford, Sr.	
2005/0172571	A1	8/2005	Koenig, Jr. et al.	
2006/0150553	A1 *	7/2006	Reyes	..... E04F 13/06 52/393
2007/0022685	A1	2/2007	Koenig, Jr. et al.	
2012/0110936	A1	5/2012	Egan et al.	
2014/0260019	A1	9/2014	Conboy	
2016/0340908	A1 *	11/2016	Apanovich	..... E04F 13/068
2016/0348357	A1	12/2016	Smith et al.	

FOREIGN PATENT DOCUMENTS

CA	19534	S	3/1954	
CA	22772	S	10/1959	
CA	22773	S	10/1959	
CA	2259875	A1	10/1999	
CA	2259877	A1	10/1999	
CA	93969	S	11/2001	
CA	107604	S	12/2005	
CA	107605	S	12/2005	
CA	107606	S	12/2005	
CA	107607	S	12/2005	
CA	127416	S	9/2009	
CA	2771711	A1	3/2011	
CA	139128	S	1/2012	
CA	2816036	A1	5/2012	
CA	146178	S	11/2013	
CA	151311	S	8/2014	
CA	158042	S	6/2015	
DE	29615211	U1	10/1996	
EP	0161532	A2	11/1985	
EP	0 324 918	A1	7/1991	
EP	0473393	A1	3/1992	
GB	361490	A	11/1931	
GB	2233381	A	1/1991	
WO	WO 2007/012897	A1	2/2007	
WO	WO 2014/023620	A1	2/2014	

OTHER PUBLICATIONS

“Control Joints & Reveal Combinations,” Vinyl Corp., 2015, 2 pgs., downloaded Nov. 29, 2016 from <http://www.vinylcorp.com/products/stucco-plaster/control-joints/control-joints-reveal-combinations>.

“Expansion Joints (Slip Joint),” Vinyl Corp., 2015, 1 pg., downloaded Nov. 29, 2016 from <http://www.vinylcorp.com/products/stucco-plaster/expansion-joints/expansion-joints-slip-joint>.

“Wide Expansion Joints (Slip Joint),” Vinyl Corp., 2015, 1 pg., downloaded Nov. 29, 2016 from <http://www.vinylcorp.com/products/stucco-plaster/expansion-joints/wide-expansion-joints-slip-joint>.

“Channel Reveals,” Vinyl Corp., 2015, 3 pgs., downloaded Nov. 29, 2016 from <http://www.vinylcorp.com/products/stucco-plaster/channel-reveals/channel-reveals>.

(56)

## References Cited

## OTHER PUBLICATIONS

“Channel Reveals Bandmaker™ Series,” Vinyl Corp., 2015, 2 pgs., downloaded Nov. 29, 2016 from <http://www.vinylcorp.com/products/stucco-plaster/channel-reveals/channel-reveals-bandmaker%E2%84%A2-series>.

““F” Channel Reveals,” Vinyl Corp., 2015, 2 pgs., downloaded Nov. 29, 2016 from <http://www.vinylcorp.com/products/stucco-plaster/channel-reveals/f-channel-reveals>.

“SDCS Self Drain Channel,” Vinyl Corp., 2015, 3 pgs., downloaded Nov. 29, 2016 from <http://www.vinylcorp.com/products/stucco-plaster/channel-reveals/sdcs-self-drain-channel>.

“CSH Drum Channel Special Creed Size,” Vinyl Corp., 2015, 1 pg., downloaded Nov. 29, 2016 from <http://www.vinylcorp.com/products/stucco-plaster/channel-reveals/csh-drum-channel-special-creed-size>.

“Channel Reveal Intersections,” Vinyl Corp., Stucco & Plaster Accessories Catalog, Sep. 2013, p. 1-22, downloaded Nov. 29, 2016 from [http://www.vinylcorp.com/sites/default/files/imce/pdf/VinylCorp\\_Stucco%26Plaster-CatalogSection-2013.pdf](http://www.vinylcorp.com/sites/default/files/imce/pdf/VinylCorp_Stucco%26Plaster-CatalogSection-2013.pdf).

“Channel Reveals Bandmaker™ Series Intersections,” Vinyl Corp., Stucco & Plaster Accessories Catalog, Sep. 2013, p. 1-24, downloaded Nov. 29, 2016 from [http://www.vinylcorp.com/sites/default/files/imce/pdf/VinylCorp\\_Stucco%26Plaster-CatalogSection-2013.pdf](http://www.vinylcorp.com/sites/default/files/imce/pdf/VinylCorp_Stucco%26Plaster-CatalogSection-2013.pdf).

““F” Channel Reveal Intersections,” Vinyl Corp., Stucco & Plaster Accessories Catalog, Sep. 2013, p. 1-26, downloaded Nov. 29, 2016 from [http://www.vinylcorp.com/sites/default/files/imce/pdf/VinylCorp\\_Stucco%26Plaster-CatalogSection-2013.pdf](http://www.vinylcorp.com/sites/default/files/imce/pdf/VinylCorp_Stucco%26Plaster-CatalogSection-2013.pdf).

“Architectural Soffit Vent,” Vinyl Corp., 2015, 1 pg., downloaded Nov. 29, 2016 from <http://www.vinylcorp.com/products/stucco-plaster/architectural-soffit-vents/architectural-soffit-vent>.

““F” Series Architectural Soffit Vent,” Vinyl Corp., 2015, 1 pg., downloaded Nov. 29, 2016 from <http://www.vinylcorp.com/products/stucco-plaster/architectural-soffit-vents/f-series-architectural-soffit-vent>.

“Soffit Vents (One Piece),” Vinyl Corp., 2015, 2 pgs., downloaded Nov. 29, 2016 from <http://www.vinylcorp.com/products/stucco-plaster/soffit-vents/soffit-vents-one-piece>.

“Soffit Vents (One Piece with Edge Clips),” Vinyl Corp., 2015, 2 pgs., downloaded Nov. 29, 2016 from <http://www.vinylcorp.com/products/stucco-plaster/soffit-vents/soffit-vents-one-piece-edge-clips>.

“Soffit Vent (Two Piece Narrow Overhang),” Vinyl Corp., 2015, 2 pgs., downloaded Nov. 29, 2016 from <http://www.vinylcorp.com/products/stucco-plaster/soffit-vents/soffit-vents-two-piece-narrow-overhang>.

“Soffit Vents (Three Piece),” Vinyl Corp., 2015, 2 pgs., downloaded Nov. 29, 2016 from <http://www.vinylcorp.com/products/stucco-plaster/soffit-vents/soffit-vents-three-piece>.

“Soffit Vents (Three Piece with Edge Clip),” Vinyl Corp., 2015, 3 pgs., downloaded Nov. 29, 2016 from <http://www.vinylcorp.com/products/stucco-plaster/soffit-vents/soffit-vents-three-piece-edge-clip>.

“FCS Soffit Vents,” Vinyl Corp., 2015, 2 pgs., downloaded Nov. 29, 2016 from <http://www.vinylcorp.com/products/stucco-plaster/soffit-vents/fcs-soffit-vents>.

“Miscellaneous Soffit Vents,” Vinyl Corp., 2015, 2 pgs., downloaded Nov. 29, 2016 from <http://www.vinylcorp.com/products/stucco-plaster/soffit-vents/miscellaneous-soffit-vents>.

“Control Joints & Vent Reveal Combinations,” Vinyl Corp., 2015, 1 pg., downloaded Nov. 29, 2016 from <http://www.vinylcorp.com/products/stucco-plaster/soffit-vents/control-joints-vent-reveal-combinations>.

“Soffit Vent Control Joint Combination,” Vinyl Corp., 2015, 1 pg., downloaded Nov. 29, 2016 from <http://www.vinylcorp.com/products/stucco-plaster/soffit-vents/soffit-vent-control-joint-combination>.

“F Series Control Joint & Vent,” Vinyl Corp., 2015, 2 pgs., downloaded Nov. 29, 2016 from <http://www.vinylcorp.com/products/stucco-plaster/soffit-vents/f-series-control-joint-vent>.

“Vented Shadow Reveals,” Vinyl Corp., 2015, 2 pgs, downloaded Nov. 29, 2016 from <http://www.vinylcorp.com/products/stucco-plaster/soffit-vents/vented-shadow-reveals>.

“Shadow Reveals (Slip Joint),” Vinyl Corp., 2015, 2 pgs., downloaded Nov. 29, 2016 from <http://www.vinylcorp.com/products/stucco-plaster/soffit-vents/shadow-reveals-slip-joint>.

“Vented Drip Screeds,” Vinyl Corp., 2015, 2 pgs., downloaded Nov. 29, 2016 from <http://www.vinylcorp.com/products/stucco-plaster/drip-screed-reveals/vented-drip-screeds>.

“Drip Screed Reveals,” Vinyl Corp., 2015, 1 pg., downloaded Nov. 29, 2016 from <http://www.vinylcorp.com/products/stucco-plaster/drip-screed-reveals/drip-screed-reveals>.

“1/4" Drip “V” Screeds,” Vinyl Corp., 2015, 1 pg., downloaded Nov. 29, 2016 from <http://www.vinylcorp.com/products/stucco-plaster/drip-screed-reveals/14-drip-v-screeds>.

“CXJR Corner Reveals,” Vinyl Corp., 2015, 1 pg., downloaded Nov. 29, 2016 from <http://www.vinylcorp.com/products/stucco-plaster/miscellaneous-accessories/cxjr-corner-reveals>.

“PB Soffit Drips,” Vinyl Corp, 2015, 1 pg., downloaded Nov. 30, 2016 from <http://www.vinylcorp.com/products/eifs-defs/eifs-soffit-vents-drips/pb-soffit-drips>.

“PB Soffit Vents,” Vinyl Corp, 2015, 2 pgs., downloaded Nov. 29, 2016 from <http://www.vinylcorp.com/products/eifs-defs/eifs-soffit-vents-drips/pb-soffit-vents>.

“Miscellaneous Soffit Vents,” Vinyl Corp, 2015, 2 pgs., downloaded Nov. 29, 2016 from <http://www.vinylcorp.com/products/eifs-defs/eifs-soffit-vents-drips/miscellaneous-soffit-vents>.

“Surface Mount Vents,” Vinyl Corp, 2015, 1 pg., downloaded Nov. 29, 2016 from <http://www.vinylcorp.com/products/eifs-defs/eifs-soffit-vents-drips/surface-mount-vents>.

“PB Vented Shadow Reveals (3" Vent Reveal Width),” Vinyl Corp, 2015, 1 pg., downloaded Nov. 29, 2016 from <http://www.vinylcorp.com/products/eifs-defs/eifs-reveals/pb-vented-shadow-reveals-3-vent-reveal-width>.

“PM Channel Reveals (Surface Application),” Vinyl Corp, 2015, 1 pg., downloaded Nov. 29, 2016 from <http://www.vinylcorp.com/products/eifs-defs/eifs-reveals/pm-channel-reveals>.

“PM Channel Shallow Reveals,” Vinyl Corp, 2015, 1 pg., downloaded Nov. 29, 2016 from <http://www.vinylcorp.com/products/eifs-defs/eifs-reveals/pm-channel-shallow-reveals>.

“Architectural Surface Mounted Reveal,” Vinyl Corp, 2015, 1 pg., downloaded Nov. 29, 2016 from <http://www.vinylcorp.com/products/eifs-defs/defs-reveals/architectural-surface-mounted>.

“Architectural Surface Mounted “F” Reveal,” Vinyl Corp, 2015, 1 pg., downloaded Nov. 29, 2016 from <http://www.vinylcorp.com/products/eifs-defs/defs-reveals/architectural-surface-mounted-f-reveal>.

“PB Vented Reveals (Surface Mount—1/16" to 3/32" Systems),” Vinyl Corp, 2015, 1 pg., downloaded Nov. 29, 2016 from <http://www.vinylcorp.com/products/eifs-defs/defs-reveals/pb-vented-reveals>.

“PB “F” Vented Reveals (Surface Mount—1/16" to 3/32" Systems),” Vinyl Corp, 2015, 1 pg., downloaded Nov. 29, 2016 from <http://www.vinylcorp.com/products/eifs-defs/defs-reveals/pb-f-vented-reveals>.

“PB Channel Reveals (Surface Mount—1/16" to 3/32" Systems),” Vinyl Corp, 2015, 1 pg., downloaded Nov. 29, 2016 from <http://www.vinylcorp.com/products/eifs-defs/defs-reveals/pb-channel-reveals>.

“PB “F” Channel Reveals (Surface Mount—1/16" to 3/32" Systems),” Vinyl Corp, 2015, 1 pg., downloaded Nov. 29, 2016 from <http://www.vinylcorp.com/products/eifs-defs/defs-reveals/pb-f-channel-reveals>.

“PB Channel Reveals (Perforated Flanges—1/16" to 3/32" Systems),” Vinyl Corp, 2015, 1 pg., downloaded Nov. 29, 2016 from <http://www.vinylcorp.com/products/eifs-defs/defs-reveals/pb-channel-reveals-perforated-flanges>.

“PB “F” Channel Reveals (Perforated Flanges—1/16" to 3/32" Systems),” Vinyl Corp, 1 pg., downloaded Nov. 29, 2016 from <http://www.vinylcorp.com/products/eifs-def/defs-reveals/pb-f-channel-reveals-perforated-flanges>.

“PM Channel Reveals,” Vinyl Corp, 2015, 1 pg., downloaded Nov. 29, 2016 <http://www.vinylcorp.com/products/eifs-defs/defs-reveals/pm-channel-reveals>.

(56)

## References Cited

## OTHER PUBLICATIONS

"PM Channel Shallow Reveals," Vinyl Corp, 2015, 1 pg., downloaded Nov. 29, 2016 from <http://www.vinylcorp.com/products/eifs-defs/defs-reveals/pm-channel-shallow-reveals>.

"PB Channel Reveal Intersections," Vinyl Corp., EIFS & DEFS Accessories Catalog, Sep. 2013, p. 2-16, downloaded Nov. 29, 2016 from [http://www.vinylcorp.com/sites/default/files/imce/pdf/VinylCorp\\_EIFS%26DEFS-CatalogSection-2013.pdf](http://www.vinylcorp.com/sites/default/files/imce/pdf/VinylCorp_EIFS%26DEFS-CatalogSection-2013.pdf).

"Soffit Vents," Vinyl Corp, 2015, 2 pgs., downloaded Nov. 29, 2016 from <http://www.vinylcorp.com/products/eifs-defs/defs-soffit-vents-drips/soffit-vents>.

"PB Soffit Vents," Vinyl Corp, 2015, 2 pgs., downloaded Nov. 29, 2016 from <http://www.vinylcorp.com/products/eifs-defs/defs-soffit-vents-drips/pb-soffit-vents>.

"Miscellaneous Soffit Vents," Vinyl Corp, 2015, 2 pgs., downloaded Nov. 29, 2016 from <http://www.vinylcorp.com/products/eifs-defs/defs-soffit-vents-drips/miscellaneous-soffit-vents>.

"Surface Mount Vents," Vinyl Corp, 2015, 1 pg., downloaded Nov. 29, 2016 from <http://www.vinylcorp.com/products/eifs-defs/defs-soffit-vents-drips/surface-mount-vents>.

"Shadow Reveals (SA with 3/8" Removable Leg)," Vinyl Corp, 2015, 1 pg., downloaded Nov. 30, 2016 from <http://www.vinylcorp.com/products/drywall-veneer/shadow-reveals/shadow-reveals-sa-38-removable-leg>.

"Shadow Reveals (SA 5/8" Board)," Vinyl Corp, 2015, 1 pg., downloaded Nov. 30, 2016 from <http://www.vinylcorp.com/products/drywall-veneer/shadow-reveals/shadow-reveals-sa-58-board>.

"Vented Shadow Reveals (Surface Mount)," Vinyl Corp, 2015, 1 pg., downloaded Nov. 30, 2016 from <http://www.vinylcorp.com/products/drywall-veneer/shadow-reveals/vented-shadow-reveals-surface-mount>.

"FDCV Vented Reveals (Surface Application)," Vinyl Corp, 2015, 1 pg., downloaded Nov. 30, 2016 from <http://www.vinylcorp.com/products/drywall-veneer/vented-reveals/fdc-vented-reveals-surface-application>.

"Vented Reveals (Surface Application)," Vinyl Corp, 2015, 1 pg., downloaded Nov. 30, 2016 from <http://www.vinylcorp.com/products/drywall-veneer/vented-reveals/vented-reveals-surface-application>.

"Architectural Surface Mounted Reveal—ADVC Series," Vinyl Corp, 2015 1 pg., downloaded Nov. 30, 2016 from <http://www.vinylcorp.com/products/drywall-veneer/architectural-reveals/architectural-surface-mounted-reveal-advc-series>.

"Architectural Surface Mounted Reveal—AFDCV Series," Vinyl Corp, 2015, 1 pg., downloaded Nov. 30, 2016 from <http://www.vinylcorp.com/products/drywall-veneer/architectural-reveals/architectural-surface-mounted-reveal-afdcv-series>.

"Channel Reveals (Surface Application)," Vinyl Corp, 2015, 1 pg., downloaded Nov. 30, 2016 from <http://www.vinylcorp.com/products/drywall-veneer/channel-reveals/channel-reveals-surface-application>.

"“F” Channel Reveals (Surface Application)," Vinyl Corp, 2015, 1 pg., downloaded Nov. 30, 2016 from <http://www.vinylcorp.com/products/drywall-veneer/channel-reveals/f-channel-reveals-surface-application>.

"Partition Endcaps (3 5/8" & 2 1/2")," Vinyl Corp, 2015, 2 pgs., downloaded Nov. 30, 2016 from <http://www.vinylcorp.com/products/drywall-veneer/channel-reveals/partition-endcaps-3-58-2-12>.

"Channel Reveals (Perforated Flanges)," Vinyl Corp, 2015, 1 pg., downloaded Nov. 30, 2016 from <http://www.vinylcorp.com/products/drywall-veneer/channel-reveals/channel-reveals-perforated-flanges>.

"“F” Channel Reveals (Perforated)," Vinyl Corp, 2015, 1 pg., downloaded Nov. 30, 2016 from <http://www.vinylcorp.com/products/drywall-veneer/channel-reveals/f-channel-reveals-perforated>.

"Channel Reveals (Unperforated Flanges)," Vinyl Corp, 2015, 1 pg., downloaded Nov. 30, 2016 from <http://www.vinylcorp.com/products/drywall-veneer/channel-reveals/channel-reveals-unperforated-flanges>.

"“F” Channel Reveals (Unperforated)," Vinyl Corp, 2015, 1 pg., downloaded Nov. 30, 2016 from <http://www.vinylcorp.com/products/drywall-veneer/channel-reveals/f-channel-reveals-unperforated>.

"Channel Reveal Intersections," Vinyl Corp., Drywall & Veneer Accessories Catalog, Sep. 2013, p. 3-14, downloaded Nov. 30, 2016 from [http://www.vinylcorp.com/sites/default/files/imce/pdf/VinylCorp\\_Drywall%26Veneer-CatalogSection-2013.pdf](http://www.vinylcorp.com/sites/default/files/imce/pdf/VinylCorp_Drywall%26Veneer-CatalogSection-2013.pdf).

"Channel Reveals Intersections," Vinyl Corp., Drywall & Veneer Accessories Catalog, Sep. 2013, p. 3-16, downloaded Nov. 30, 2016 from [http://www.vinylcorp.com/sites/default/files/imce/pdf/VinylCorp\\_Drywall%26Veneer-CatalogSection-2013.pdf](http://www.vinylcorp.com/sites/default/files/imce/pdf/VinylCorp_Drywall%26Veneer-CatalogSection-2013.pdf).

"DCI—“V” Reveal," Vinyl Corp, 2015, 1 pg., downloaded Nov. 30, 2016 from <http://www.vinylcorp.com/products/drywall-veneer/miscellaneous-accessories/dci-v-reveal>.

"DX Expansion Joint," Vinyl Corp, 2015, 1 pg., downloaded Nov. 30, 2016 from <http://www.vinylcorp.com/products/drywall-veneer/miscellaneous-accessories/dx-expansion-joint>.

"DCR-V Reverse Reveal," Vinyl Corp, 2015, 1 pg., downloaded Nov. 30, 2016 from <http://www.vinylcorp.com/products/drywall-veneer/miscellaneous-accessories/dcr-v-reverse-reveal>.

"Soffit Vents," Vinyl Corp, 2015, 2 pgs., downloaded Nov. 30, 2016 from <http://www.vinylcorp.com/products/drywall-veneer/miscellaneous-accessories/soffit-vents>.

"ACOF—Ground Reveals," Vinyl Corp, 2015, 1 pg., downloaded Nov. 30, 2016 from <http://www.vinylcorp.com/products/acoustical-ceiling/reveals/acof-ground-reveals>.

"ACJB—Ground Reveal," Vinyl Corp, 2015, 1 pg., downloaded Nov. 30, 2016 from <http://www.vinylcorp.com/products/acoustical-ceiling/reveals/acjb-ground-reveals>.

"ACUFR—Acoustical Reveals," Vinyl Corp, 2015, 1 pg., downloaded Nov. 30, 2016 from <http://www.vinylcorp.com/products/acoustical-ceiling/reveals/acufr-acoustical-reveals>.

"ACUT—Acoustical Reveals," Vinyl Corp, 2015, 1 pg., downloaded Nov. 30, 2016 from <http://www.vinylcorp.com/products/acoustical-ceiling/reveals/acut-acoustical-reveals>.

"ACUW—Reveal Board," Vinyl Corp, 2015, 1 pg., downloaded Nov. 30, 2016 from <http://www.vinylcorp.com/products/acoustical-ceiling/reveal-board/acuw-reveal-board>.

"ACUDR—Reveal Board," Vinyl Corp, 2015, 1 pg., downloaded Nov. 30, 2016 from <http://www.vinylcorp.com/products/acoustical-ceiling/reveal-board/acudr-reveal-board>.

"ACUWR—Reveal Board," Vinyl Corp, 2015, 1 pg., downloaded Nov. 30, 2016 from <http://www.vinylcorp.com/products/acoustical-ceiling/reveal-board/acuwr-reveal-board>.

"#40 Two-Piece Expansion Joint," ClarkDietrich Building Systems, 2015, 1 pg., downloaded Dec. 6, 2016 from <http://www.clarkdietrich.com/products/metal-expansion-control-joints/40-two-piece-expansion-joint>.

"#40 Zinc Two-Piece Expansion Joint," ClarkDietrich Building Systems, 2015, 1 pg., downloaded Dec. 6, 2016 from <http://www.clarkdietrich.com/products/zinc-expansion-control-joints/40-zinc-two-piece-expansion-joint>.

Design U.S. Appl. No. 29/553,901, filed Feb. 5, 2016.

Design U.S. Appl. No. 29/553,903, filed Feb. 5, 2016.

Design U.S. Appl. No. 29/553,909, filed Feb. 5, 2016.

U.S. Office Action, Non-Final, dated Feb. 8, 2017 for U.S. Appl. No. 29/553,901, 11 pgs.

U.S. Office Action, Non-Final, dated Feb. 8, 2017 for U.S. Appl. No. 29/553,903, 9 pgs.

U.S. Office Action, Non-Final, dated May 18, 2017 for U.S. Appl. No. 29/553,909, 8 pgs.

\* cited by examiner

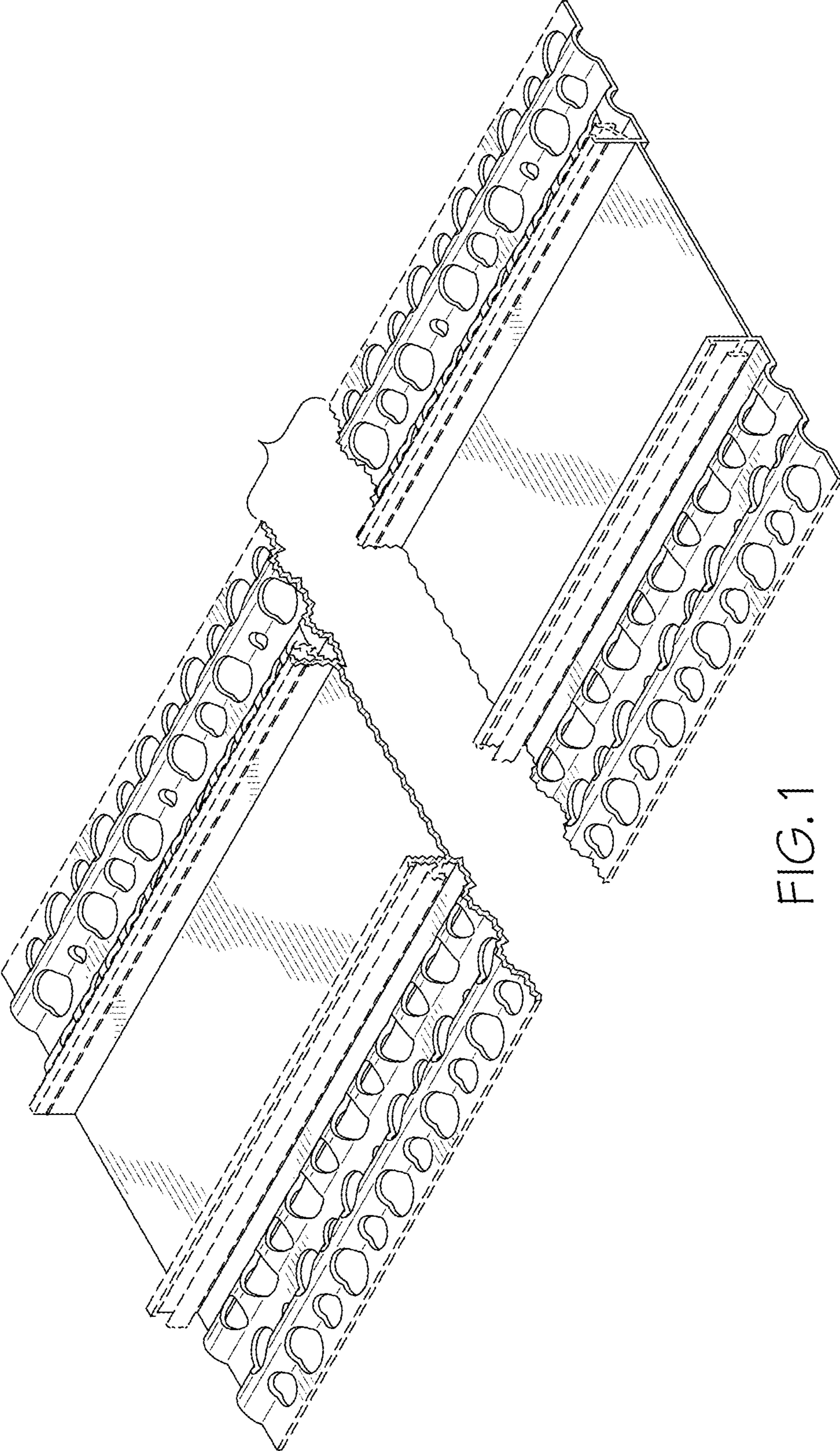


FIG. 1

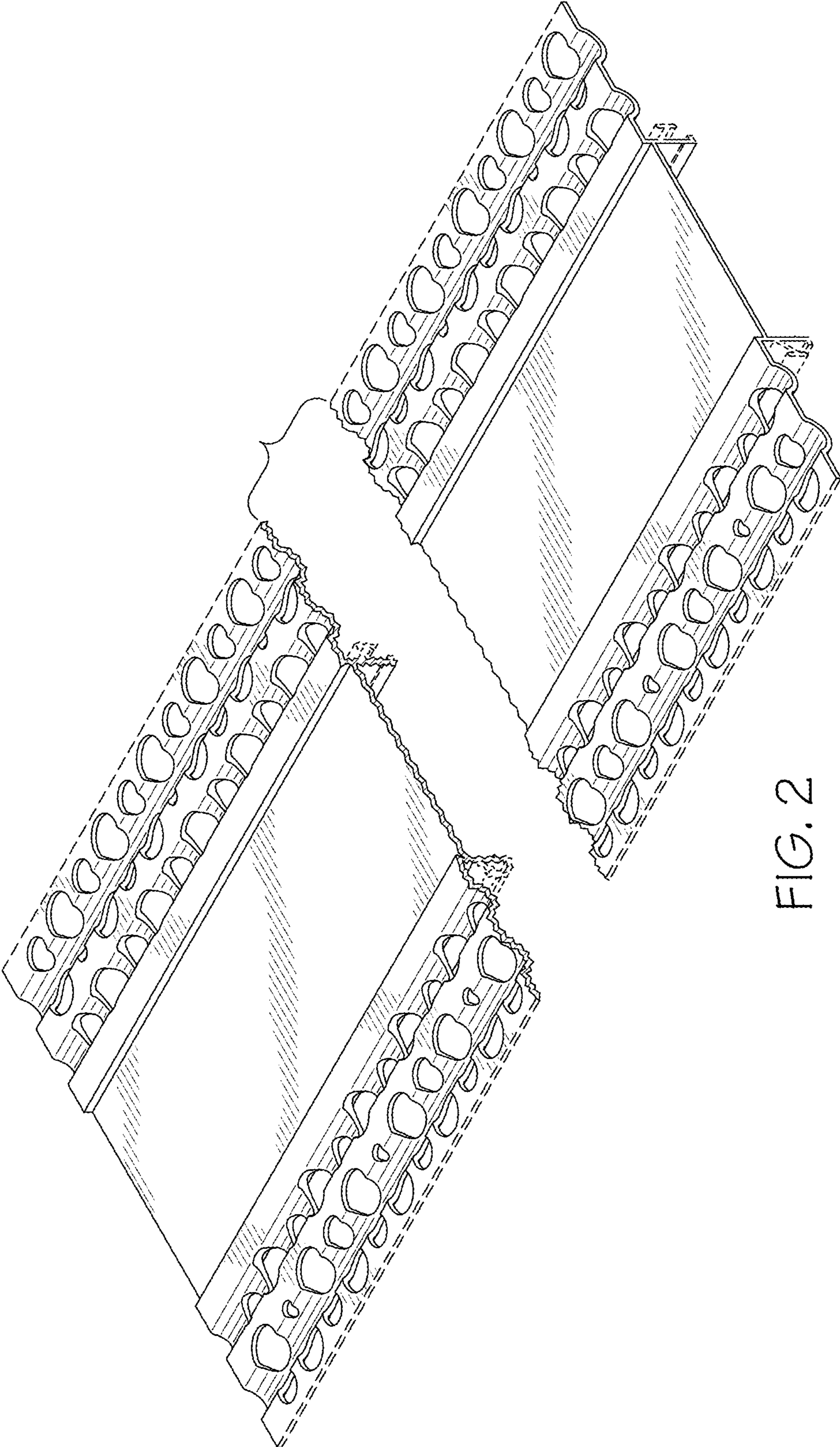


FIG. 2

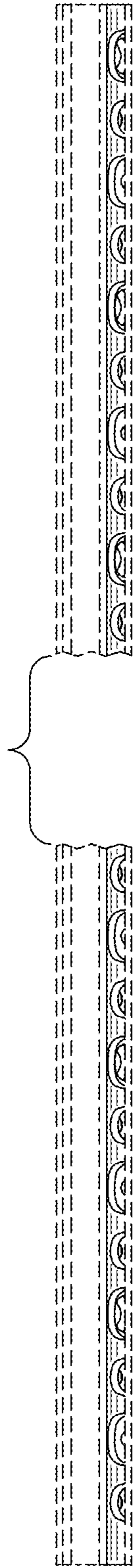


FIG. 3



FIG. 4

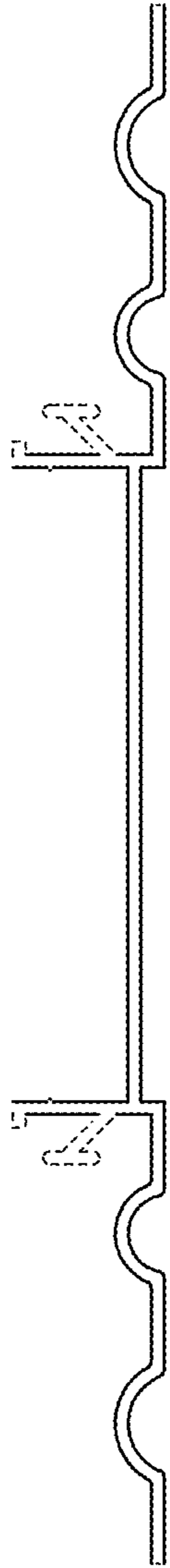


FIG. 5

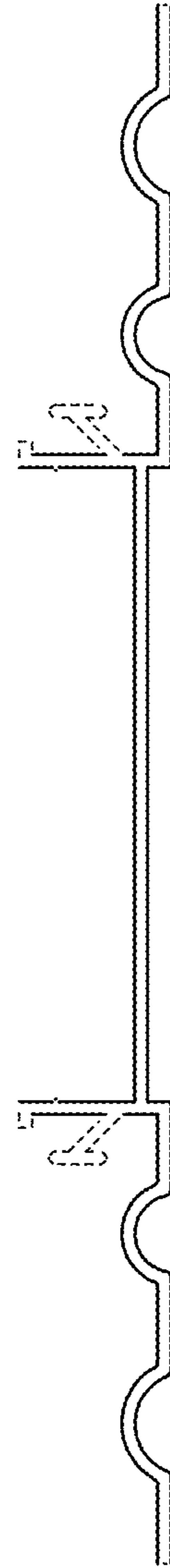


FIG. 6



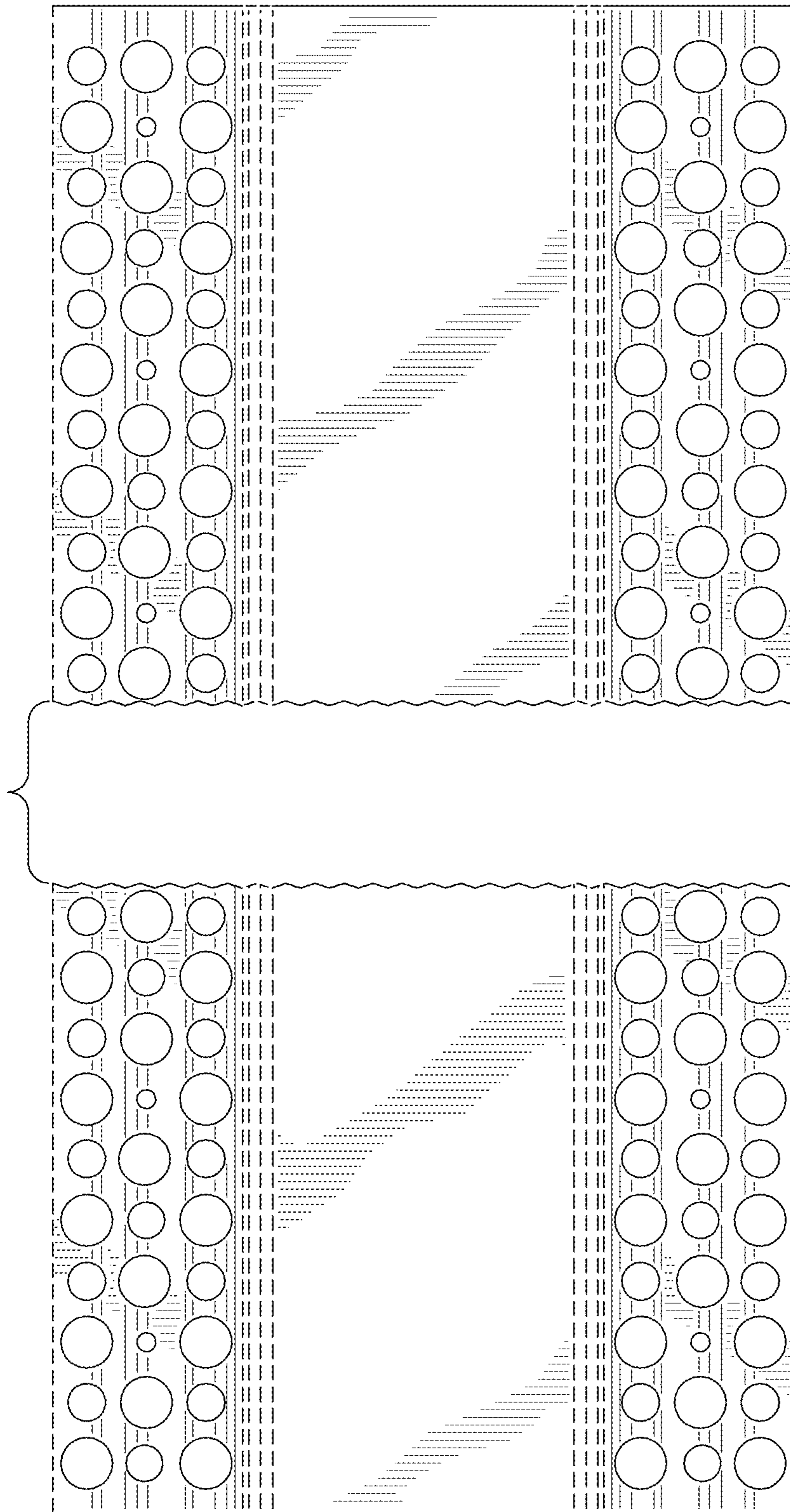


FIG. 7

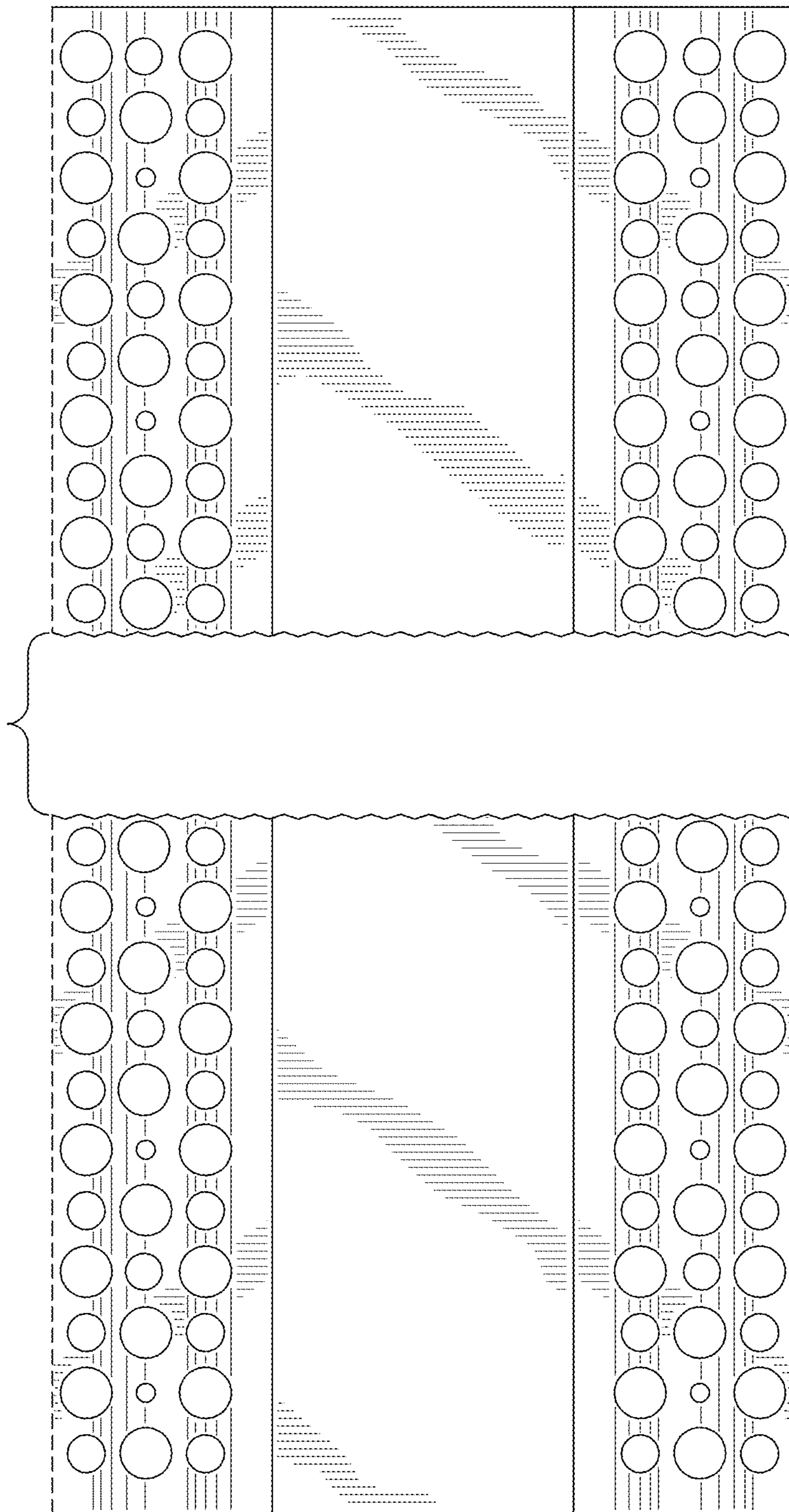


FIG. 8