



US00D800344S

(12) **United States Design Patent** (10) **Patent No.:** **US D800,344 S**
Apanovich et al. (45) **Date of Patent:** **** *Oct. 17, 2017**

(54) **CASING BEAD WITH A RIBBED FLANGE**

FOREIGN PATENT DOCUMENTS

(71) Applicant: **CLARKWESTERN DIETRICH BUILDING SYSTEMS LLC**, West Chester, OH (US)

AU 653276 9/1994
BE 1019998 A3 3/2013
(Continued)

(72) Inventors: **Nick Joseph Apanovich**, Tampa, FL (US); **Erenio Reyes**, Miami, FL (US); **Hernando Garcia**, Miami, FL (US); **James Michael Wielinga**, Parkland, FL (US)

OTHER PUBLICATIONS

““F” Beads,” Vinyl Corp., 2015, 1 pg. downloaded Jan. 28, 2016 from <http://www.vinylcorp.com/products/drywall-veneer/beads-trims/f-beads>.

(Continued)

(73) Assignee: **CLARKWESTERN DIETRICH BUILDING SYSTEMS LLC**, West Chester, OH (US)

Primary Examiner — Cynthia Ramirez
Assistant Examiner — Llorellys Martinez-Rivera
(74) *Attorney, Agent, or Firm* — Frost Brown Todd LLC

(*) Notice: This patent is subject to a terminal disclaimer.

(**) Term: **15 Years**

(57) **CLAIM**

The ornamental design for a casing bead with a ribbed flange, as shown and described.

(21) Appl. No.: **29/553,903**

(22) Filed: **Feb. 5, 2016**

(51) **LOC (10) Cl.** **25-02**

(52) **U.S. Cl.**
USPC **D25/119**

(58) **Field of Classification Search**
USPC D25/35, 47.1, 48.1, 48.2, 48.3, 48.4, D25/48.7, 55, 56, 58–61, 119–132, 138, D25/139, 164; 52/58, 68, 96, 97, 204.5, 52/204.53, 208, 209, 255, 254, 287.1, 52/293.3, 302.6, 443, 444, 716.1, 716.2, 52/716.6–716.8, 717.01, 717.03; D23/167, 267, 386

(Continued)

DESCRIPTION

FIG. 1 is a top perspective view of a casing bead with a ribbed flange, showing our new design; FIG. 2 is a bottom perspective view thereof; FIG. 3 is a left side elevation view thereof; FIG. 4 is a right side elevation view thereof; FIG. 5 is a front elevation view thereof; FIG. 6 is a rear elevation view thereof; FIG. 7 is a top plan view thereof; and, FIG. 8 is a bottom plan view thereof.

The broken lines in FIGS. 1-3 and 5-8 are included for purposes of illustrating portions of the casing bead with a ribbed flange that form no part of the claimed design. The casing bead with a ribbed flange is shown with a symbolic break in its length. The appearance of any portion of the casing bead with a ribbed flange between the jagged break lines forms no part of the claimed design.

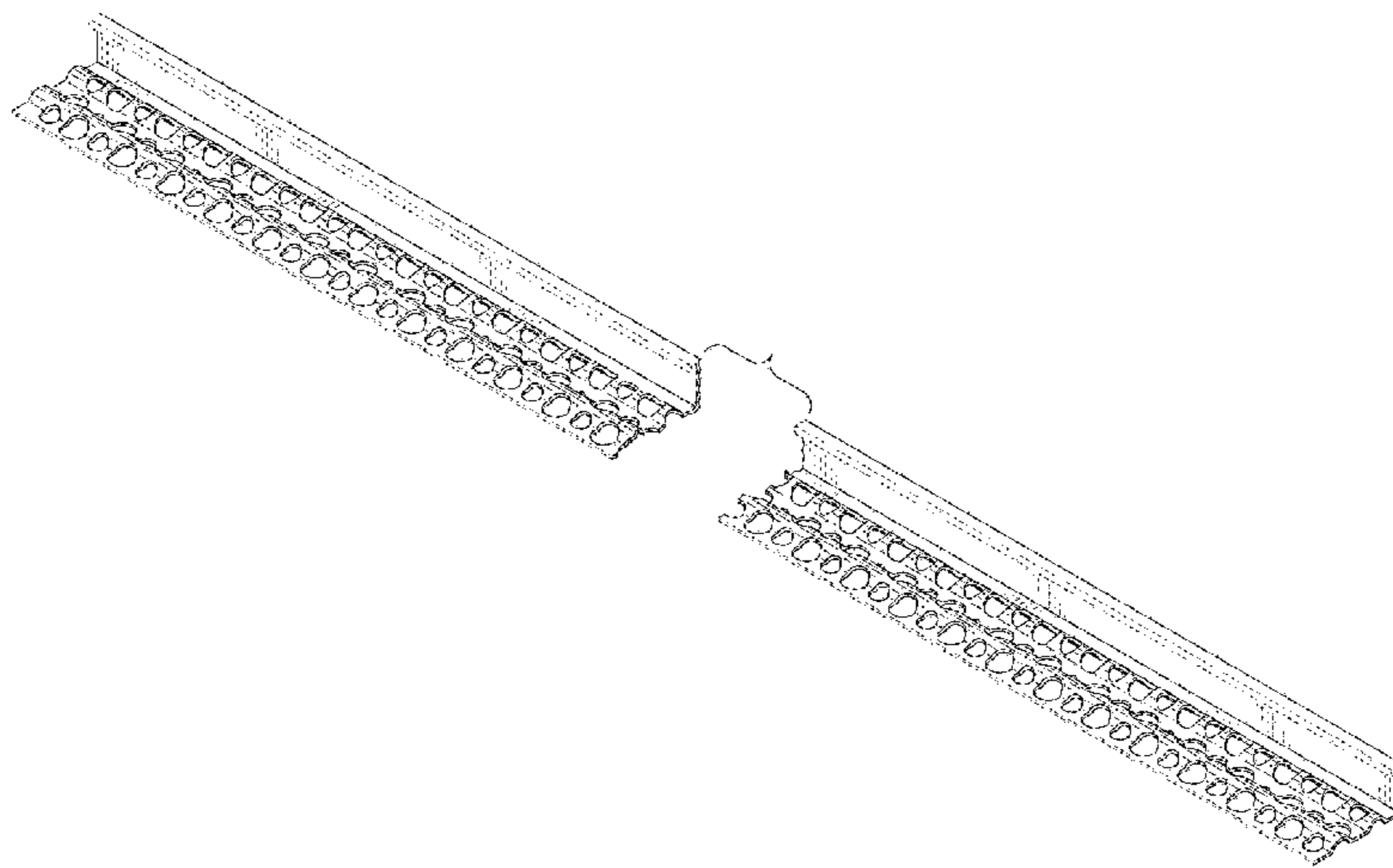
(56) **References Cited**

U.S. PATENT DOCUMENTS

1,224,077 A 4/1917 Grove
1,736,873 A 11/1929 Barton

(Continued)

1 Claim, 5 Drawing Sheets



(58) **Field of Classification Search**

CPC E04F 19/00; E04F 19/02; E04F 19/022;
E04F 19/026; E04F 19/04; E04F 19/06;
E04F 19/061; E04F 13/00; E04B 2/00;
E04B 7/00; E04B 5/12; E04C 3/02; E04C
3/04; E04C 3/12; E04C 3/292; E04C
2003/0404; E04C 2003/0452; E04C
2003/046; E04C 2003/0482; E04D 13/15;
E04D 13/0459; E04D 1/36

See application file for complete search history.

(56) **References Cited**

U.S. PATENT DOCUMENTS

1,853,310 A 4/1932 Land
2,167,998 A 8/1938 Reid
2,350,790 A * 6/1944 McCarthy A47K 3/008
52/35
2,679,156 A 5/1954 McFarland
D200,699 S 3/1965 Pappas
3,192,577 A 7/1965 Thomas
3,295,268 A * 1/1967 Gaither E04F 13/06
52/255
3,412,512 A 11/1968 Hollister
3,515,373 A * 6/1970 Abbe A01G 1/08
256/1
3,754,367 A 8/1973 O’Konski et al.
D230,583 S 3/1974 La Borde
D250,420 S 11/1978 Ward
4,825,612 A * 5/1989 Tupman E04F 19/062
52/288.1
5,365,713 A 11/1994 Nicholas et al.
5,419,084 A 5/1995 Sankey et al.
5,423,154 A * 6/1995 Maylon E04F 13/06
52/364
5,625,986 A 5/1997 Mansfield
5,699,638 A 12/1997 Maylon
5,761,866 A * 6/1998 Maylon E04F 13/06
156/258
5,946,870 A 9/1999 Bifano et al.
5,970,671 A 10/1999 Bifano et al.
6,119,429 A 9/2000 Bifano et al.
6,134,847 A 10/2000 Bifano et al.
6,189,273 B1 * 2/2001 Larson E04F 13/06
52/255
6,293,064 B1 9/2001 Larson
6,298,609 B1 10/2001 Bifano et al.
D456,528 S * 4/2002 Maylon D25/121
D459,007 S 6/2002 Campacci
6,470,638 B1 10/2002 Larson
D471,991 S 3/2003 Maylon et al.
D477,420 S * 7/2003 Butcher D25/119
6,609,341 B2 8/2003 Maylon et al.
6,691,476 B1 2/2004 Kunz
6,698,144 B1 3/2004 Larson
D503,227 S 3/2005 Rodolfo et al.
D503,469 S 3/2005 Rodolfo et al.
D529,630 S * 10/2006 Zarb D25/119
7,200,970 B2 4/2007 Koenig, Jr. et al.
D551,783 S * 9/2007 Lowman D25/158
7,296,387 B2 11/2007 Milu
D575,139 S 8/2008 LePoire et al.
7,654,049 B2 2/2010 Koenig, Jr. et al.
7,673,428 B1 3/2010 Smythe
7,757,450 B2 7/2010 Reyes et al.
D652,532 S 1/2012 Letham
D652,955 S 1/2012 Budzik
D656,603 S 3/2012 Egan et al.
8,511,016 B2 8/2013 Smythe, Jr.
D693,483 S * 11/2013 Krieger E04F 13/0826
D25/119
8,584,416 B2 11/2013 Chenier et al.
8,615,950 B1 12/2013 Gomes
D700,717 S 3/2014 Campacci
D703,306 S 4/2014 Little et al.

D703,307 S 4/2014 Little et al.
D711,556 S * 8/2014 Singh D25/119
8,869,491 B2 10/2014 Little et al.
8,875,468 B2 11/2014 Dhinjan
8,910,437 B2 12/2014 Robertson
D742,546 S * 11/2015 Singh D25/119
9,200,454 B2 12/2015 Little et al.
9,303,413 B2 4/2016 Koenig, Jr. et al.
D761,971 S 7/2016 Apanovich et al.
D762,310 S 7/2016 Apanovich et al.
9,435,114 B1 * 9/2016 Preston E04B 1/6801
D768,877 S * 10/2016 Mumford, Sr. D25/119
D768,878 S * 10/2016 Mumford, Sr. D25/119
D768,879 S * 10/2016 Mumford, Sr. D25/119
D768,880 S * 10/2016 Mumford, Sr. D25/119
D768,881 S * 10/2016 Mumford, Sr. D25/119
D768,882 S * 10/2016 Mumford, Sr. D25/119
D769,459 S * 10/2016 Mumford, Sr. D25/119
D769,460 S * 10/2016 Mumford, Sr. D25/119
D769,461 S * 10/2016 Mumford, Sr. D25/119
D769,462 S * 10/2016 Mumford, Sr. D25/119
D771,838 S * 11/2016 Mumford, Sr. D25/119
D774,214 S * 12/2016 Mumford, Sr. D25/119
2005/0172571 A1 8/2005 Koenig, Jr. et al.
2007/0022685 A1 2/2007 Koenig, Jr. et al.
2012/0110936 A1 5/2012 Egan et al.
2013/0205696 A1 * 8/2013 Little E04F 13/06
52/255
2014/0260019 A1 9/2014 Conboy
2016/0168869 A1 * 6/2016 Curtis E06B 1/34
52/716.2
2016/0340908 A1 * 11/2016 Apanovich E04F 13/068
2016/0348357 A1 12/2016 Smith et al.

FOREIGN PATENT DOCUMENTS

CA 19534 S 3/1954
CA 22772 S 10/1959
CA 22773 S 10/1959
CA 2259875 A1 10/1999
CA 2259877 A1 10/1999
CA 93969 S 11/2001
CA 107604 S 12/2005
CA 107605 S 12/2005
CA 107606 S 12/2005
CA 107607 S 12/2005
CA 127416 S 9/2009
CA 2771711 A1 3/2011
CA 139128 S 1/2012
CA 2816036 A1 5/2012
CA 146178 S 11/2013
CA 151311 S 8/2014
CA 158042 S 6/2015
DE 29615211 U1 10/1996
EP 0161532 A2 11/1985
EP 0 324 918 A1 7/1991
EP 0473393 A1 3/1992
GB 361490 A 11/1931
GB 2233381 A 1/1991
WO WO 2007/012897 A1 2/2007
WO WO 2014/023620 A1 2/2014

OTHER PUBLICATIONS

““J” Beads” Vinyl Corp., 2015, 1 pg. downloaded Jan. 28, 2016 from <http://www.vinylcorp.com/products/drywall-veneer/beads-trims/j-beads>.
““L” Beads (L-Bead Perforeated),” Vinyl Corp., 2015, 1 pg. downloaded Jan. 28, 2016 from <http://www.vinylcorp.com/products/drywall-veneer/beads-trims/l-beads-l-bead-perforated>.
“#66N Short Flange Casing Bead”, ClarkDietrich, 2015, 1 pg., downloaded Nov. 16, 2015 from <http://www.clarkdietrich.com/products/metal-corner-casing-beads/66n-short-flange-casing-bead>.
“#66N Zinc Short Flange Casing Bead”, ClarkDietrich, 2015, 1 pg., downloaded Nov. 16, 2015 from <http://www.clarkdietrich.com/products/zinc-corner-casing-beads/66n-zinc-short-flange-casing-bead>.

(56)

References Cited

OTHER PUBLICATIONS

"#66X Expanded Flange Casing Bead", ClarkDietrich, 2015, 1 pg., downloaded Nov. 16, 2015 from <http://www.clarkdietrich.com/products/metal-corner-casing-beads/66x-expanded-flange-casing-bead>.

"#66X Zinc Expanded Flange Casing Bead", ClarkDietrich, 2015, 1 pg., downloaded Nov. 16, 2015 from <http://www.clarkdietrich.com/products/zinc-corner-casing-beads/66x-zinc-expanded-flange-casing-bead>.

"701A/#801A Zinc J-Trim," ClarkDietrich, 2015, 1 pg. downloaded Jan. 28, 2016 from <http://www.clarkdietrich.com/products/zinc-veneer-plaster-beads-trims/701a-801a-zinc-j-trim>.

"#701A/#801A J-Trim," ClarkDietrich, 2015, 1 pg., downloaded Feb. 16, 2016 from <http://www.clarkdietrich.com/products/metal-veneer-plaster-beads-trims/701a-801a-j-trim>.

"#701B/#801B L-Trim," ClarkDietrich, 2015, 1 pg., downloaded Feb. 16, 2016 from <http://www.clarkdietrich.com/products/metal-veneer-plaster-beads-trims/701b-801b-l-trim>.

"#701B/#801B Zinc L-Trim," ClarkDietrich, 2015, 1 pg. downloaded Jan. 28, 2016 from <http://www.clarkdietrich.com/products/zinc-veneer-plaster-beads-trims/701b-801b-zinc-l-trim>.

"2" J-Weep Low Back , ClarkDietrich, 2015, 1 pg. downloaded Jan. 28, 2016 from <http://www.clarkdietrich.com/products/metal-weep-sill-screeds/2-j-weep-high-back>.

"3½" J-Weep High Back , ClarkDietrich, 2015, 1 pg. downloaded Jan. 28, 2016 from <http://www.clarkdietrich.com/products/metal-weep-sill-screeds/3-1-2-j-weep-high-back>.

"Adjustable Corner Trim," Vinyl Corp., 2015, 1 pg. downloaded Jan. 28, 2016 from <http://www.vinylcorp.com/products/drywall-veneer/beads-trims/adjustable-corner-trim>.

"Angled Casing Beads", Vinyl Corp., 2015, 1 pg., downloaded Nov. 16, 2015 from <http://www.vinylcorp.com/products/stucco-plaster/casing-beads/angled-casing-beads>.

"Archmaker™ Casing Beads", Vinyl Corp., 2015, 1 pg., downloaded Nov. 16, 2015 from <http://www.vinylcorp.com/products/stucco-plaster/casing-beads/archmaker-casing-beads>.

"Archmaker™/ Bandmaker™ Casing Beads", Vinyl Corp., 2015, 1 pg., downloaded Nov. 16, 2015 from <http://www.vinylcorp.com/products/stucco-plaster/casing-beads/archmaker-bandmaker-casing-beads>.

"Bandmaker Series Casing Beads", Vinyl Corp., 2015, 1 pg. downloaded Nov. 16, 2015 from <http://www.vinylcorp.com/products/stucco-plaster/casing-beads/bandmaker-series-casing-beads>.

"BM 66 Series 1-Piece Bandmaker", Vinyl Corp., 2015, 1 pg., downloaded Nov. 16, 2015 from <http://www.vinylcorp.com/products/stucco-plaster/casing-beads/bm-66-series-1-piece-bandmaker>.

"Bullnose Casing Beads", Vinyl Corp., 2015, 1 pg., downloaded Nov. 16, 2015 from <http://www.vinylcorp.com/products/stucco-plaster/casing-beads/bullnose-casing-beads>.

"Casing Beads (with Weep Holes for ½" Sheathing)", Vinyl Corp., 2015, 1 pg., downloaded Nov. 16, 2015 from <http://www.vinylcorp.com/products/stucco-plaster/casing-beads/casing-beads-weep-holes-12-sheathing>.

"Casing Beads / Plaster Stops", Vinyl Corp., 2015, 1 pg. downloaded Nov. 16, 2015 from <http://www.vinylcorp.com/products/stucco-plaster/casing-beads/casing-beads-plaster-stops>.

"Casing Beads with Reveal", Vinyl Corp., 2015, 1 pg., downloaded Nov. 16, 2015 from <http://www.vinylcorp.com/products/stucco-plaster/casing-beads/casing-beads-reveal>.

"Casing Beads with Weep Holes", Vinyl Corp., 2015, 1 pg., downloaded Nov. 16, 2015 from <http://www.vinylcorp.com/products/stucco-plaster/casing-beads/casing-beads-weep-holes>.

"Ceiling Trim Surface Mount (L-Bead Perforated)," Vinyl Corp., 2015, 1 pg. downloaded Jan. 28, 2016 from <http://www.vinylcorp.com/products/drywall-veneer/beads-trims/ceiling-trim-surface-mount-l-bead-perforated>.

"Ceiling Trims (L-Bead Perforated)," Vinyl Corp., 2015, 1 pg. downloaded Jan. 28, 2016 from <http://www.vinylcorp.com/products/drywall-veneer/beads-trims/ceiling-trims-l-bead-perforated>.

"D-66 Drop Plaster Stop", Vinyl Corp., 2015, 1 pg., downloaded Nov. 16, 2015 from <http://www.vinylcorp.com/products/stucco-plaster/casing-beads/d-66-drop-plaster-stop>.

"Defs 45 Degree L-Bead," Vinyl Corp., 2015, 1 pg. downloaded Jan. 28, 2016 from <http://www.vinylcorp.com/products/eifs-defs/defs-1-beads/defs-45-degree-1-bead>.

"Defs Casing Beads (w-Drip)," Vinyl Corp., 2015, 1 pg. downloaded Jan. 28, 2016 from <http://www.vinylcorp.com/products/eifs-defs/defs-casing-beads/defs-casing-beads-w-drip>.

"Defs Casing Beads (w-Weep)," Vinyl Corp., 2015, 1 pg. downloaded Jan. 28, 2016 from <http://www.vinylcorp.com/products/eifs-defs/defs-casing-beads/defs-casing-beads-w-weep>.

"Defs Casing Beads," Vinyl Corp., 2015, 1 pg. downloaded Jan. 28, 2016 from <http://www.vinylcorp.com/products/eifs-defs/defs-casing-beads/defs-casing-beads>.

"Defs L Stop Casing Beads (w-Splice)," Vinyl Corp., 1 pg. downloaded Jan. 28, 2016 from <http://www.vinylcorp.com/products/eifs-defs/defs-1-beads/defs-1-stop-casing-beads-w-splice>.

"Defs L Stop Casing Beads," Vinyl Corp., 2015, 1 pg. downloaded Jan. 28, 2016 from <http://www.vinylcorp.com/products/eifs-defs/defs-1-beads/defs-1-stop-casing-beads>.

"Defs Weeped Starter Strip/Casing Beads (w-Drip)," Vinyl Corp., 2015, 1 pg., downloaded Feb. 16, 2016 from <http://vinylcorp.com/products/eifs-defs/defs-starter-strip/defs-weeped-starter-strip-casing-beads>.

"Double Ground (Bandmaker™ Series)", Vinyl Corp., 2015, 1 pg., downloaded Nov. 16, 2015 from <http://www.vinylcorp.com/products/stucco-plaster/casing-beads/double-ground-bandmaker-series>.

"Drip Casing Bead," Vinyl Corp., 2015, 1 pg. downloaded Jan. 28, 2016 from <http://www.vinylcorp.com/products/eifs-defs/eifs-casing-beads/drip-casing-bead>.

"Female Casing Expansion Joint," ClarkDietrich, 2015, 1 pg. downloaded Jan. 28, 2016 from <http://www.clarkdietrich.com/products/vinyl-expansion-control-joints/female-casing-expansion-joint>.

"Long Flange Casing Beads/Plaster Stops", Vinyl Corp., 2015, 1 pg., downloaded Nov. 16, 2015 from <http://www.vinylcorp.com/products/stucco-plaster/casing-beads/long-flange-casing-beads-plaster-stops>.

"Muddable "J" Beads (with removable leg)," 2015, 1 pg. downloaded Jan. 28, 2016 from <http://www.vinylcorp.com/products/drywall-veneer/beads-trims/muddable-j-beads-removable-leg>.

"Muddable "J" Beads," Vinyl Corp., 2015, 1 pg. downloaded Jan. 28, 2016 from <http://www.vinylcorp.com/products/drywall-veneer/beads-trims/muddable-j-beads>.

"Muddable "J" Beads," Vinyl Corp., 2015, 1 pg. downloaded Jan. 28, 2016 from <http://www.vinylcorp.com/products/eifs-defs/defs-j-beads/muddable-j-beads>.

"PB Header Weeped Starter Strip," Vinyl Corp., 2015, 1 pg., downloaded Feb. 16, 2016 from <http://vinylcorp.com/products/eifs-defs/eifs-starter-strips/pb-header-weeped-starter-strip>.

"PB Standard Starter Strip/Casing Beads (¾" Finish)," Vinyl Corp., 2015, 1 pg., downloaded Feb. 16, 2016 from <http://vinylcorp.com/products/eifs-defs/eifs-starter-strips/pb-standard-starter-strip-casing-beads-332-finish>.

"PB Starter Strip (Back Weep Holes ¾" Finish)," Vinyl Corp., 2015, 1 pg., downloaded Feb. 16, 2016 from <http://vinylcorp.com/products/eifs-defs/eifs-starter-strips/pb-starter-strip-back-weep-332-finish>.

"PB Starter Strip (Front & Back Weep Holes ¾" Finish)," Vinyl Corp., 2015, 1 pg., downloaded Feb. 16, 2016 from <http://vinylcorp.com/products/eifs-defs/eifs-starter-strips/pb-starter-strip-front-back-weep-332-finish>.

"PB Starter Strip (Front Weep Holes ¾" Finish)," Vinyl Corp., 2015, 1 pg., downloaded Feb. 16, 2016 from <http://vinylcorp.com/products/eifs-defs/eifs-starter-strips/pb-starter-strip-front-weep-332-finish>.

"PB Starter Strip/Casing Beads (¼" Finish)," Vinyl Corp., 2015, 1 pg. downloaded Feb. 16, 2016 from <http://vinylcorp.com/products/eifs-defs/eifs-starter-strips/pb-starter-strip-casing-beads-116-finish>.

"PB Starter Strip/Casing Beads (w-Drip & Weep ¼" Finish)," Vinyl Corp., 2015, 1 pg., downloaded Feb. 16, 2016 from <http://vinylcorp.com/products/eifs-defs/eifs-starter-strips/pb-starter-strip-casing-beads-w-drip-weep-116-finish>.

(56)

References Cited

OTHER PUBLICATIONS

“PB Starter Strip/Casing Beads (w-Drip 1/16" Finish),” Vinyl Corp., 2015, 1 pg., downloaded Feb. 16, 2016 from <http://www.vinylcorp.com/products/eifs-defs/eifs-starter-strips/pb-starter-stripcasing-beads-w-drip-116-finish>.

“PM Casing Bead,” Vinyl Corp., 2015, 1 pg. downloaded Jan. 28, 2016 from <http://www.vinylcorp.com/products/eifs-defs/eifs-casing-beads/pm-casing-beads>.

“PM Starter Strip (Reinforced),” Vinyl Corp., 2015, 1 pg., downloaded Feb. 16, 2016 from <http://vinylcorp.com/products/eifs-defs/eifs-starter-strips/pm-starter-strip-reinforced>.

“PM Starter Strip/Casing Beads (w-Front Weep Holes),” Vinyl Corp., 2015, 1 pg., downloaded Feb. 16, 2016 from <http://www.vinylcorp.com/products/eifs-defs/eifs-starter-strips/pm-starter-stripcasing-bead-w-front-weep-holes>.

“PM Starter Strip/Casing Beads,” Vinyl Corp., 2015, 1 pg., downloaded Feb. 16, 2016 from <http://vinylcorp.com/products/eifs-defs/eifs-starter-strips/pm-starter-stripcasing-bead>.

“Step Bead”, Vinyl Corp., 2015, 2 pgs., downloaded Nov. 16, 2015 from <http://www.vinylcorp.com/products/stucco-plaster/casing-beads/step-bead>.

“Vinyl Casing Bead/Plaster Stop,” ClarkDietrich, 2015, 1 pg., downloaded Nov. 16, 2015 from <http://www.clarkdietrich.com/products/vinyl-corner-casing-beads/vinyl-casing-bead-plaster-stop>.

“XL Long Flange Casing Beads/ Plaster Stops”, Vinyl Corp., 2015, 1 pg., downloaded Nov. 16, 2015 from <http://www.vinylcorp.com/products/stucco-plaster/casing-beads/xl-long-flange-casing-beads-plaster-stops>.

“BackerBead™,” Vinyl Corp., 2015, 1 pg. downloaded Dec. 6, 2016 from <http://www.vinylcorp.com/products/stucco-plaster/casing-beads/backerbead%E2%84%A2>.

Design U.S. Appl. No. 29/553,901, filed Feb. 5, 2016.

Design U.S. Appl. No. 29/553,909, filed Feb. 5, 2016.

Design U.S. Appl. No. 29/553,907, filed Feb. 5, 2016.

US Office Action, Non-Final, dated Feb. 8, 2017 for U.S. Appl. No. 29/553,901, 11 pgs.

US Office Action, Non-Final, dated Feb. 9, 2017 for U.S. Appl. No. 29/553,907, 8 pgs.

US Office Action, Non-Final, dated May 18, 2017 for U.S. Appl. No. 29/553,909, 8 pgs.

* cited by examiner

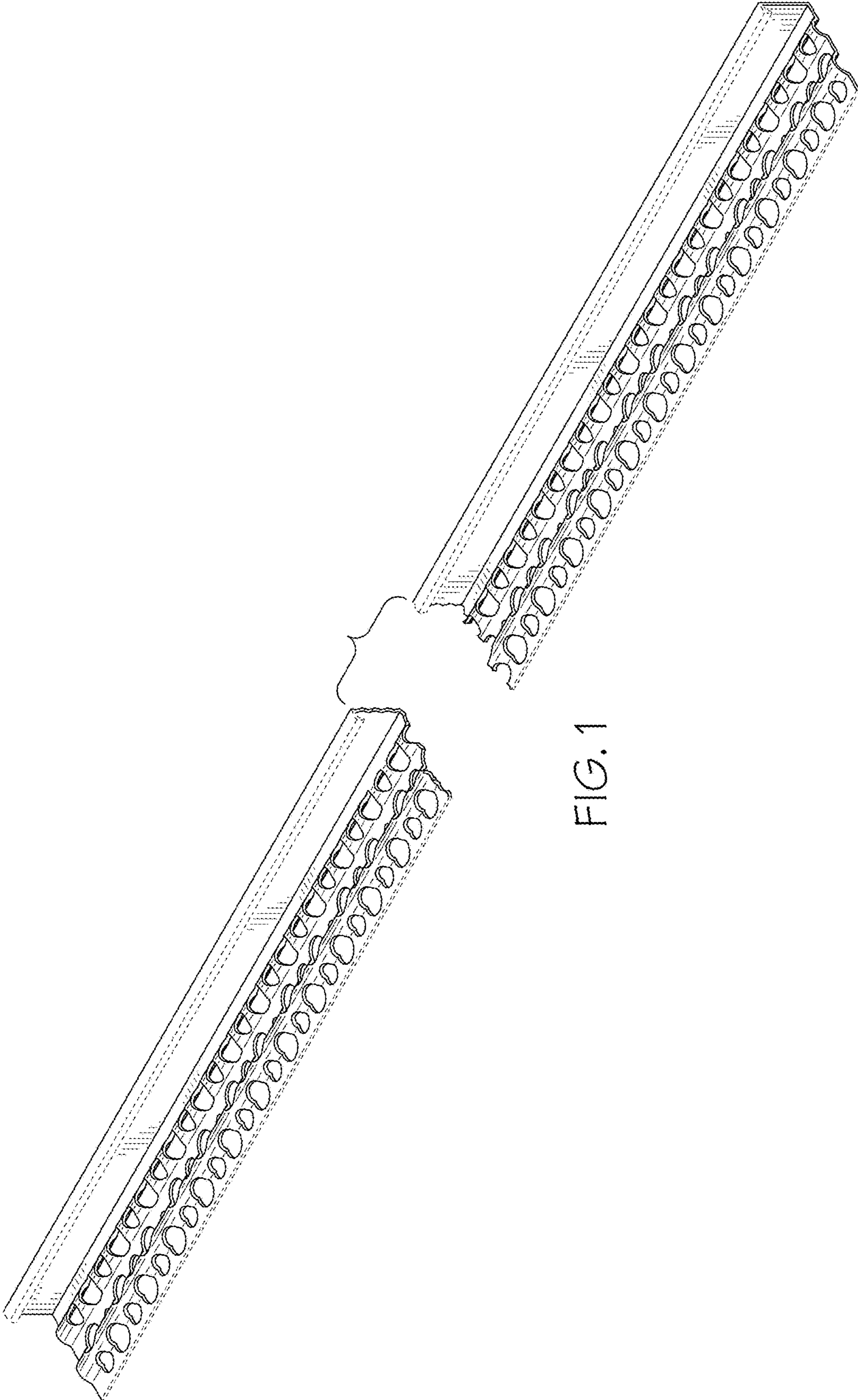


FIG. 1

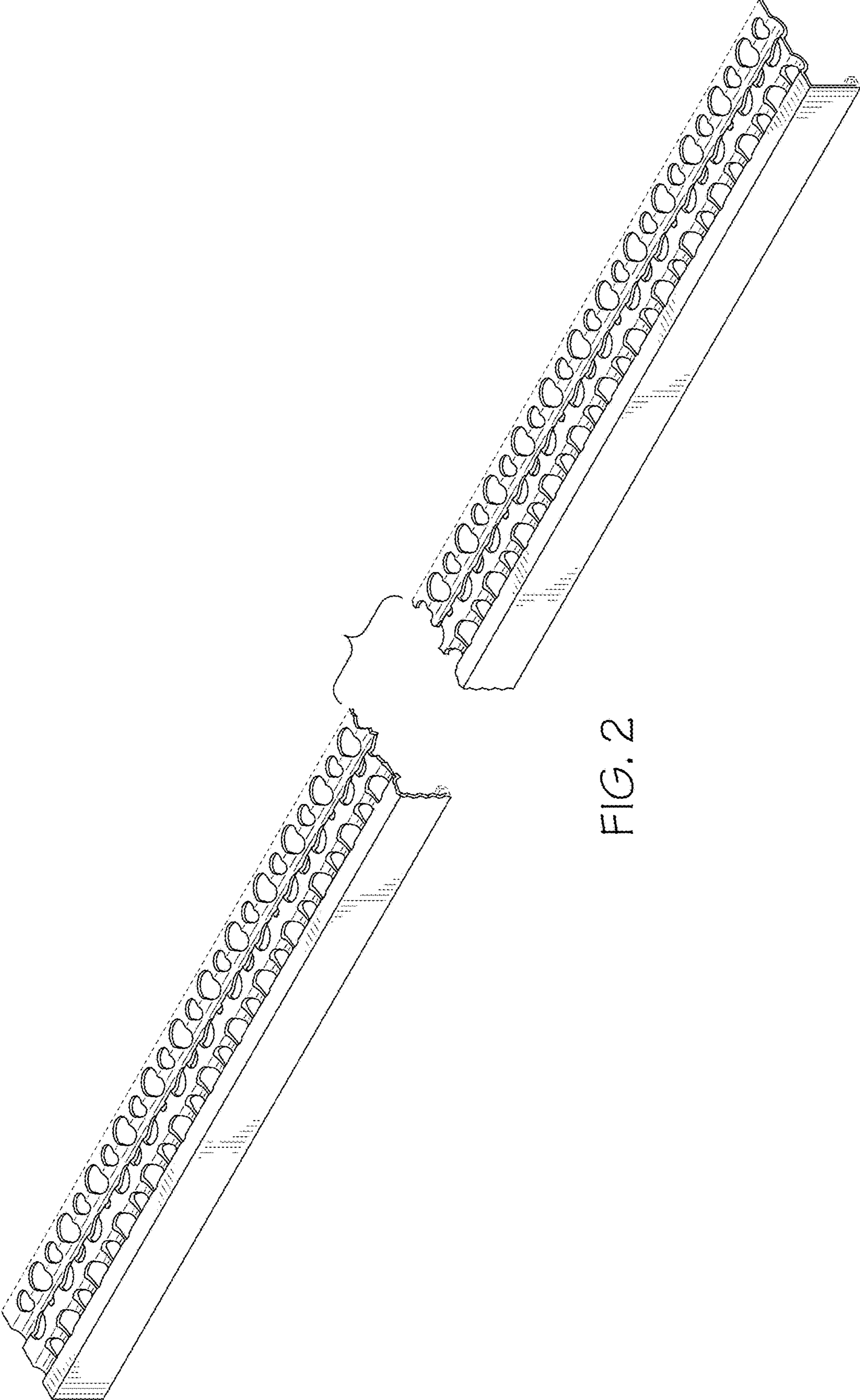


FIG. 2

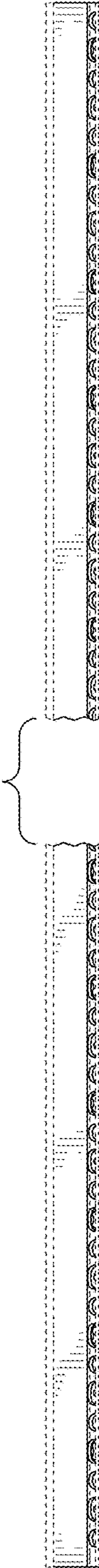


FIG. 3



FIG. 4



FIG. 5

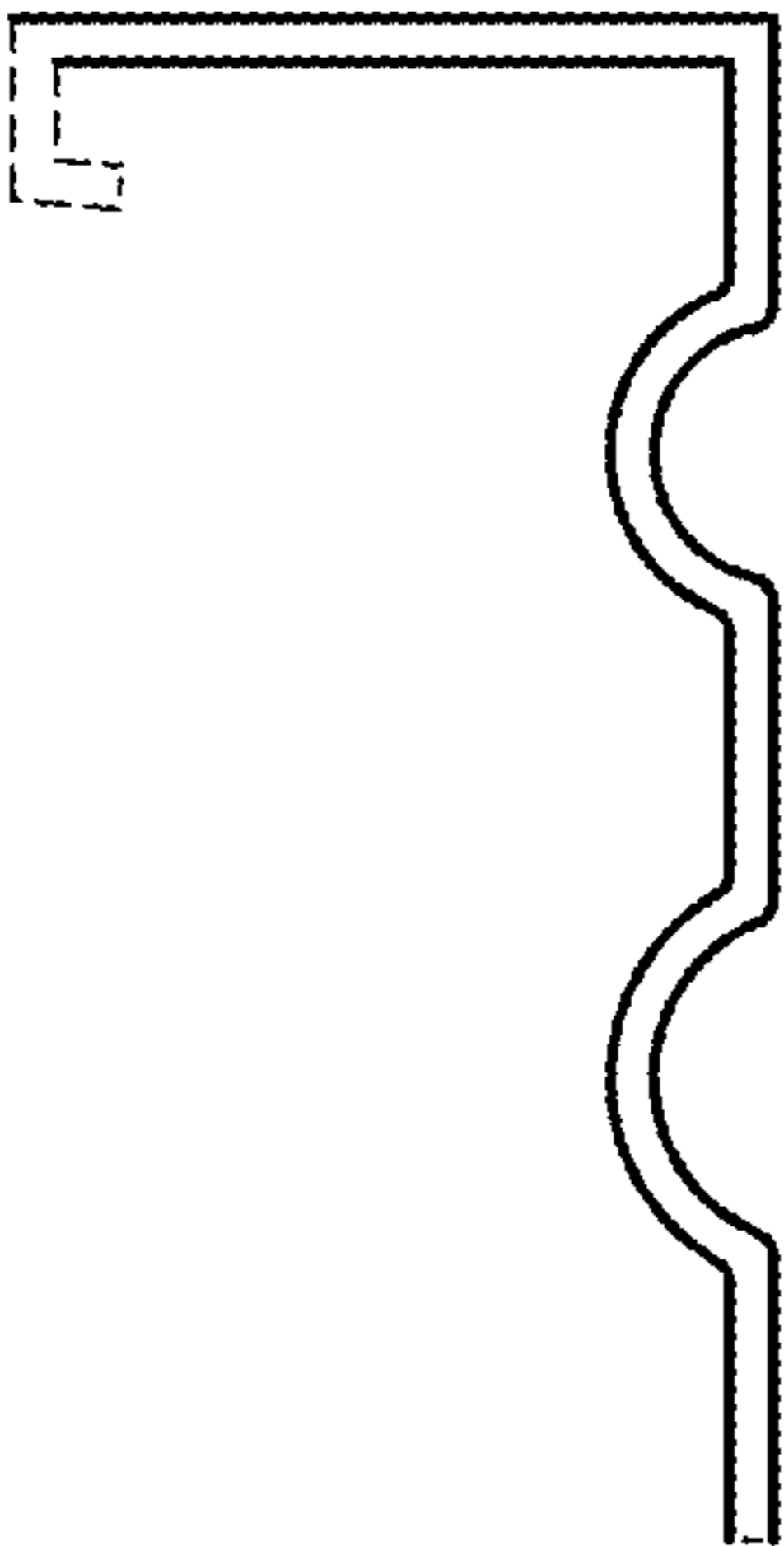


FIG. 6

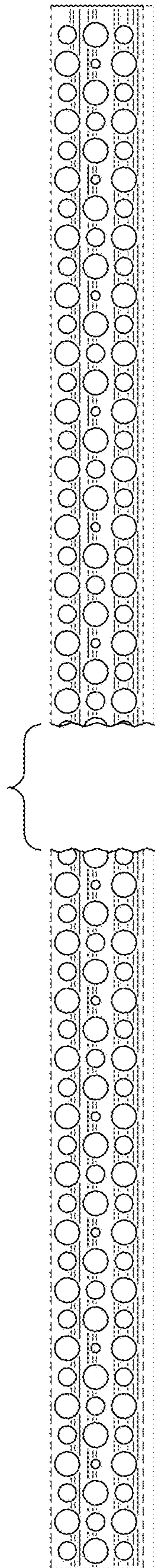


FIG. 7

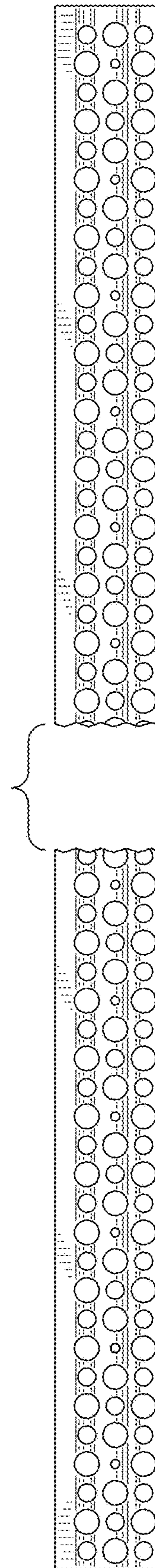


FIG. 8