



US00D800341S

(12) **United States Design Patent** (10) **Patent No.:** **US D800,341 S**
Pain (45) **Date of Patent:** **** Oct. 17, 2017**

(54) **SWIMMING POOL**
(71) Applicant: **North Star Technology International Limited, Marsa (MT)**
(72) Inventor: **Kerry R. Pain, Queensland (AU)**
(73) Assignee: **North Star Technology International Limited, Marsa (MT)**
(**) Term: **15 Years**

5,887,295 A 3/1999 Williamson
D408,547 S * 4/1999 Sullivan D25/2
5,941,030 A 8/1999 Williamson
D417,286 S * 11/1999 Sullivan D25/2
D420,143 S 2/2000 Gagon
D420,413 S 2/2000 Gonzalez
D444,242 S 6/2001 Epple
6,324,706 B1 12/2001 Epple
D455,838 S 4/2002 Erdelac
6,384,726 B1 5/2002 Epple et al.
6,393,632 B1 5/2002 Epple
(Continued)

(21) Appl. No.: **29/583,232**
(22) Filed: **Nov. 3, 2016**
(51) **LOC (10) Cl.** **25-03**
(52) **U.S. Cl.**
USPC **D25/2**
(58) **Field of Classification Search**
USPC D25/2; D23/277-280.3, 201-202;
D24/201-205; 4/491, 506; 52/169.7,
52/169.8; D21/815
CPC E04H 4/00; E04H 4/0006; E04H 4/0012;
E04H 4/0018; E04H 4/0031; E04H 4/12;
E04H 4/14
See application file for complete search history.

OTHER PUBLICATIONS

Imagine Pools Brochure (20 pages).
(Continued)

Primary Examiner — Susan Bennett Hattan
Assistant Examiner — Brett Miller
(74) *Attorney, Agent, or Firm* — Luedeka Neely Group, PC

(57) **CLAIM**

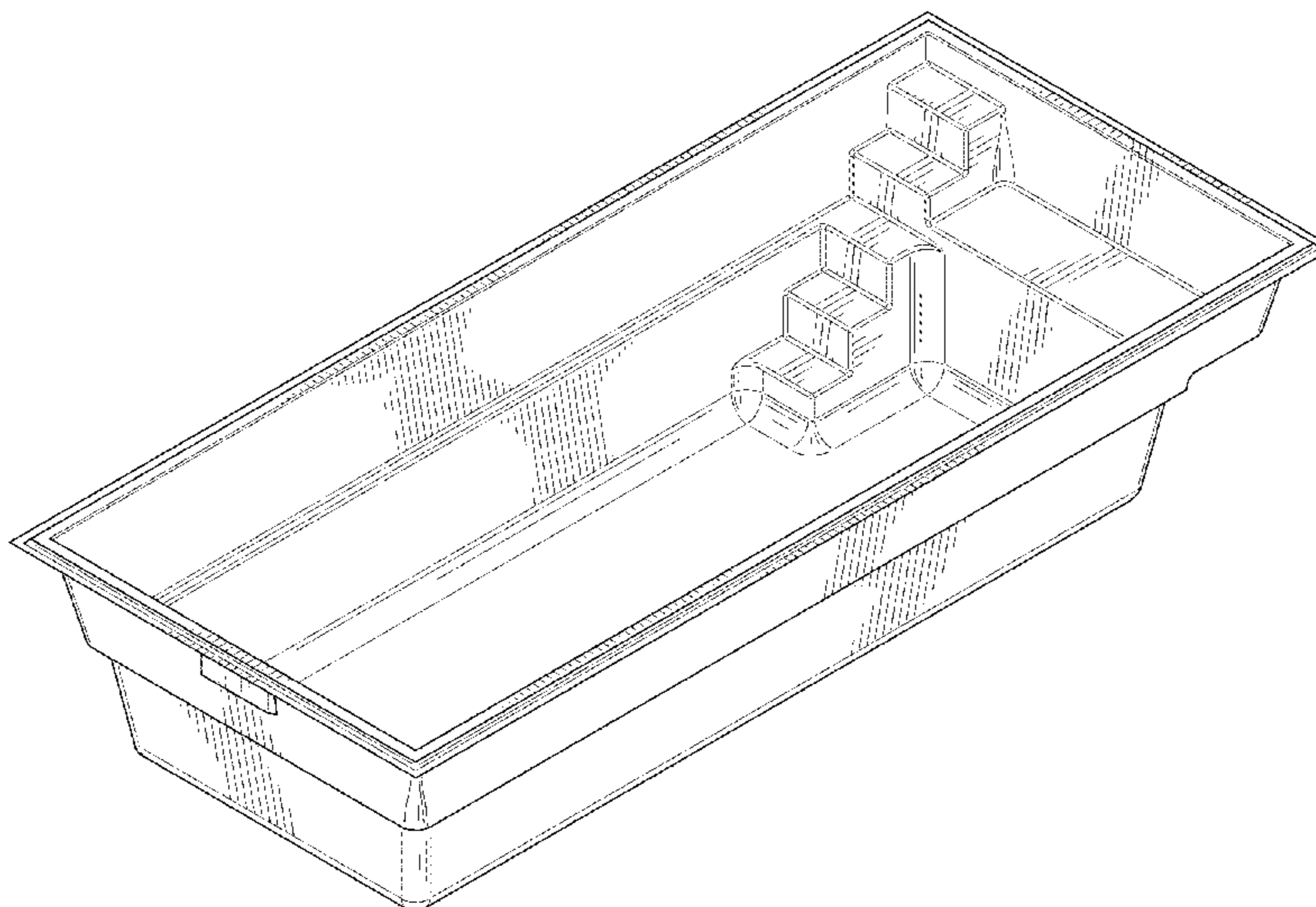
The ornamental design of the swimming pool, as shown and described.

DESCRIPTION

FIG. 1 is a perspective top view of a swimming pool;
FIG. 2 is an opposite perspective view of the swimming pool;
FIG. 3 is a side view of the swimming pool;
FIG. 4 is a side view of the swimming pool from the opposite direction as FIG. 3;
FIG. 5 is a front view of the swimming pool with the deep end toward the viewer;
FIG. 6 is a rear view of the swimming pool with the shallow end toward the viewer;
FIG. 7 is a top view or plan view of the swimming pool; and,
FIG. 8 is a bottom view of the swimming pool.

(56) **References Cited**
U.S. PATENT DOCUMENTS
3,568,392 A 3/1971 Stark
3,738,515 A 6/1973 Monten
D245,541 S * 8/1977 Melchior D21/815
D266,698 S * 10/1982 Topete D23/277
D278,932 S 5/1985 Sullivan
D278,933 S 5/1985 Sullivan
D285,350 S 8/1986 Sullivan
D321,923 S * 11/1991 Ross D21/815
5,195,191 A 3/1993 Stefan et al.
5,400,556 A 3/1995 Favaron
5,680,730 A 10/1997 Epple
D394,907 S 6/1998 Duffy
D397,231 S 8/1998 Saxer

1 Claim, 7 Drawing Sheets



(56)

References Cited

U.S. PATENT DOCUMENTS

6,418,572 B1 7/2002 Epple et al.
 6,446,276 B2 9/2002 Mathis
 6,457,189 B1 10/2002 Kindness
 6,519,788 B1 2/2003 Epple
 D471,282 S 3/2003 Sullivan
 D471,283 S 3/2003 Sullivan
 6,526,604 B1 3/2003 Mathis
 6,622,318 B2 9/2003 Mathis
 D485,914 S 1/2004 Lucas et al.
 6,671,895 B2 1/2004 Lewis
 D490,161 S 5/2004 Erdelac
 D490,903 S 6/2004 Erdelac
 D490,904 S 6/2004 Erdelac
 D491,277 S 6/2004 Erdelac et al.
 6,769,141 B2 8/2004 Epple et al.
 6,862,756 B2 3/2005 Mathis
 6,886,188 B2 5/2005 Epple et al.
 6,928,671 B2 8/2005 Pagano et al.
 D509,593 S 9/2005 Sullivan
 D510,630 S * 10/2005 Sullivan D25/2
 D512,515 S 12/2005 Lucas
 D514,228 S 1/2006 Sullivan
 D514,229 S 1/2006 Sullivan
 6,991,700 B2 1/2006 Smith
 D514,708 S 2/2006 Sullivan
 7,010,817 B2 3/2006 Smith
 7,011,782 B2 3/2006 Smith
 7,093,784 B2 8/2006 Smith
 7,114,297 B2 10/2006 Mathis et al.
 7,146,773 B2 12/2006 Wilson
 7,150,129 B2 12/2006 Elder et al.
 7,152,254 B2 12/2006 Smith
 7,171,703 B2 2/2007 Mathis
 7,311,867 B1 12/2007 Cronise, IV et al.

7,318,243 B2 1/2008 Smith
 7,861,471 B2 1/2011 Smith
 D639,916 S * 6/2011 Dosne D23/277
 D653,770 S 2/2012 Olmsted et al.
 D653,771 S 2/2012 Olmsted et al.
 8,584,271 B2 11/2013 Mathis et al.
 9,132,488 B2 9/2015 Stojanovski
 D791,959 S * 7/2017 Larsen D24/204
 D791,966 S * 7/2017 Pain D25/2
 2001/0023506 A1 9/2001 Mathis et al.
 2003/0084617 A1 5/2003 Smith
 2004/0018051 A1 1/2004 Dalton
 2005/0091736 A1 5/2005 Smith
 2005/0091738 A1 5/2005 Smith
 2006/0064812 A1 3/2006 Smith
 2006/0123536 A1 6/2006 Smith
 2008/0134426 A1 6/2008 Cronise et al.
 2009/0188178 A1 7/2009 Lucas et al.
 2011/0061158 A1 3/2011 Smith
 2012/0167494 A1 7/2012 Brooks et al.
 2012/0227213 A1 9/2012 Karsten et al.
 2013/0014321 A1 * 1/2013 Sullivan E04H 4/0018
 4/506
 2015/0000764 A1 1/2015 Johnson et al.
 2015/0089732 A1 * 4/2015 Khamis E04H 4/0037
 4/506
 2015/0122080 A1 5/2015 Meyer
 2015/0275536 A1 10/2015 Baudendistel et al.

OTHER PUBLICATIONS

Leisure Pools Brochure (36 pages).
 Imagine Pools Brochure (8 pages).
 Leisure Pools Brochure (8 pages).

* cited by examiner

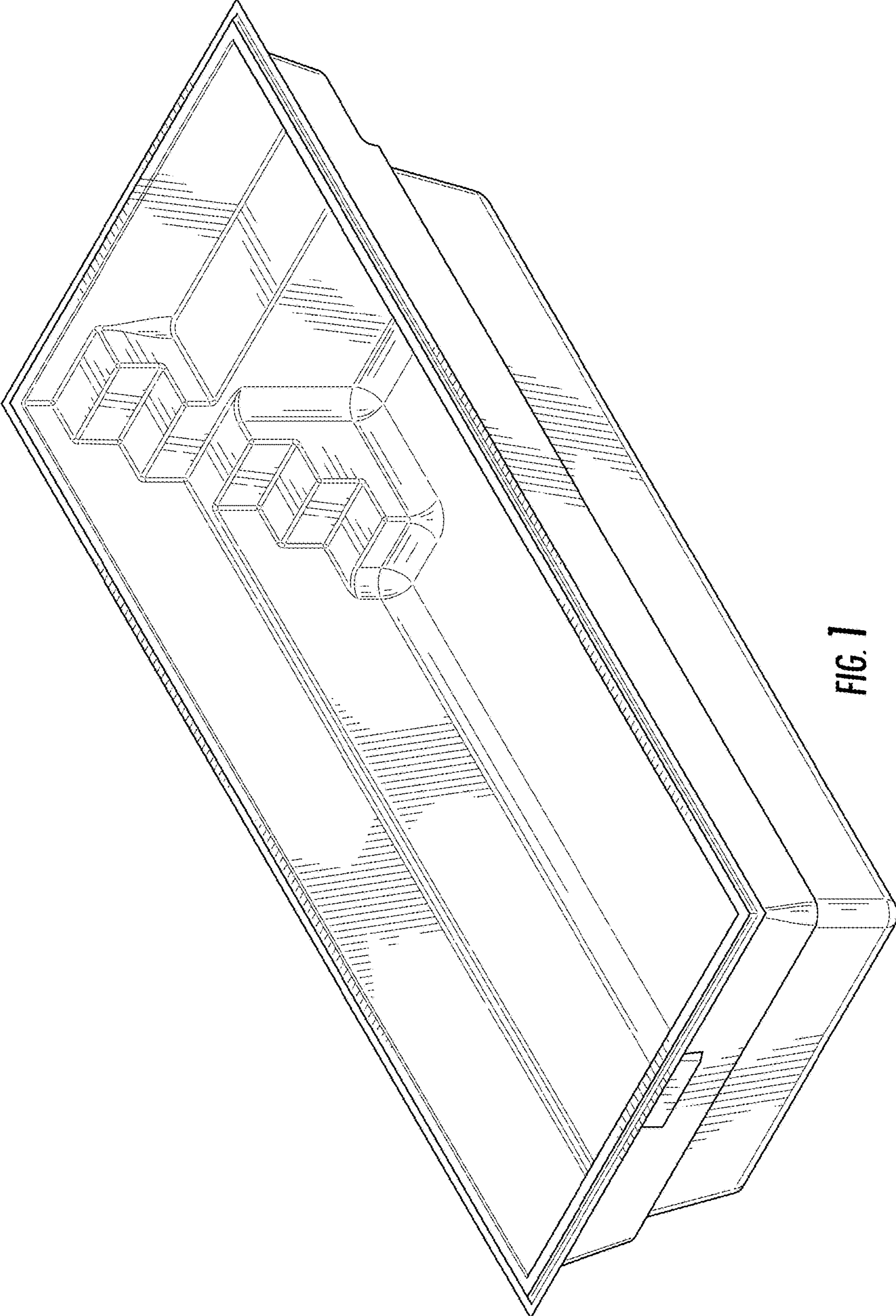


FIG. 1

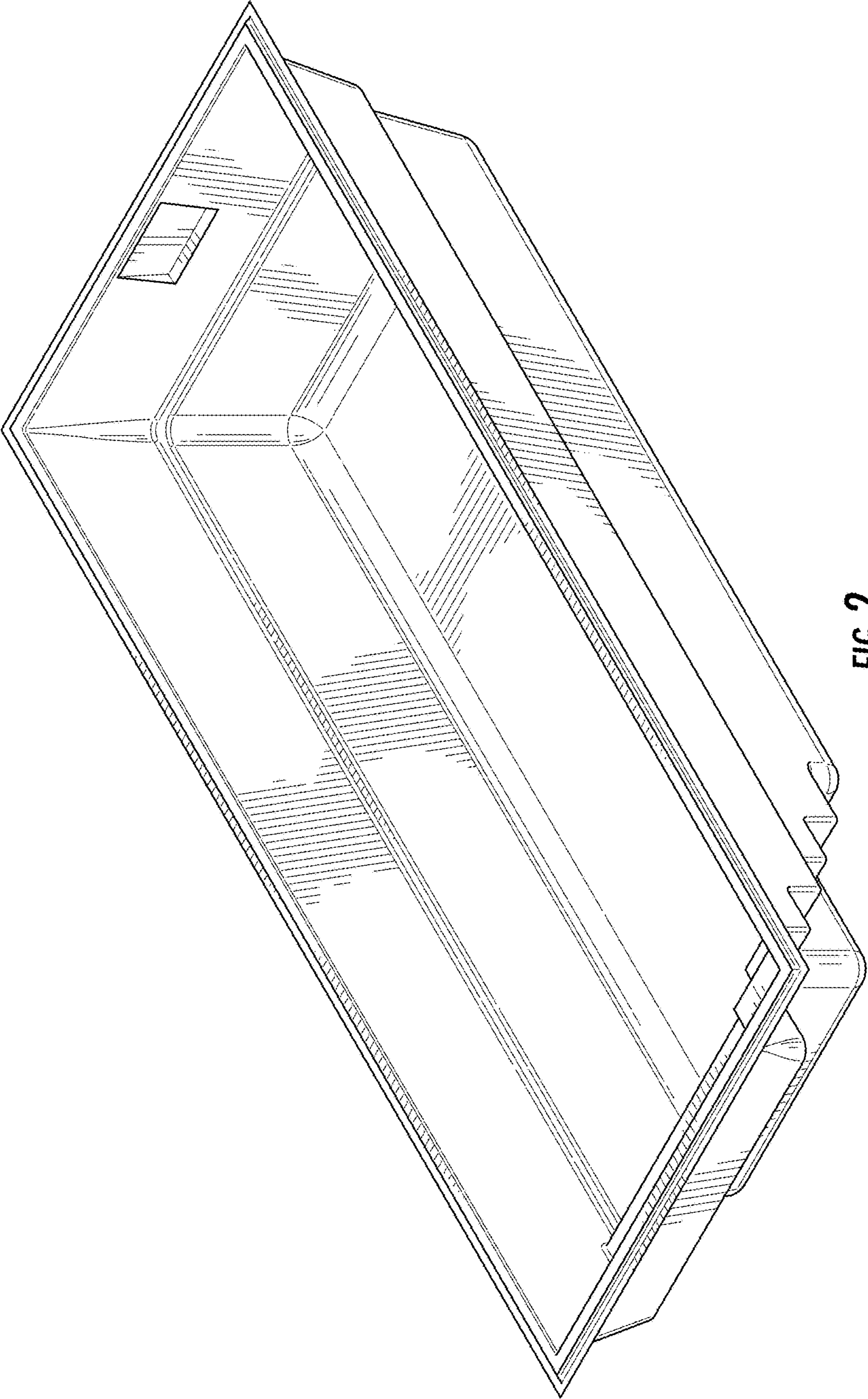


FIG. 2

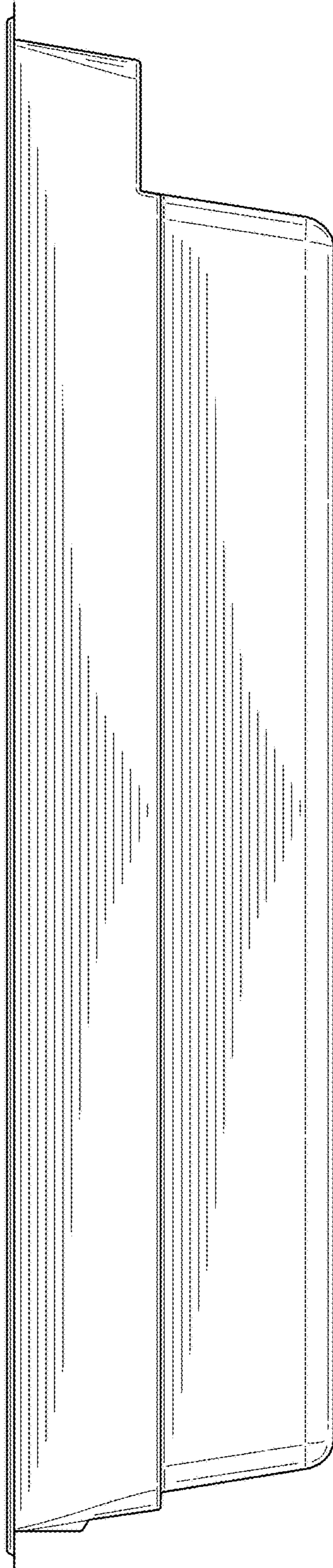


FIG. 3

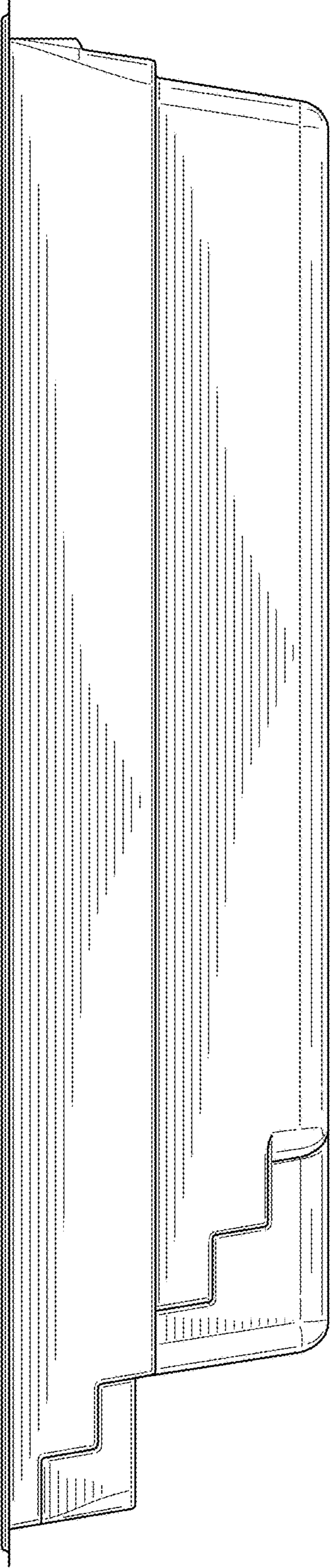


FIG. 4

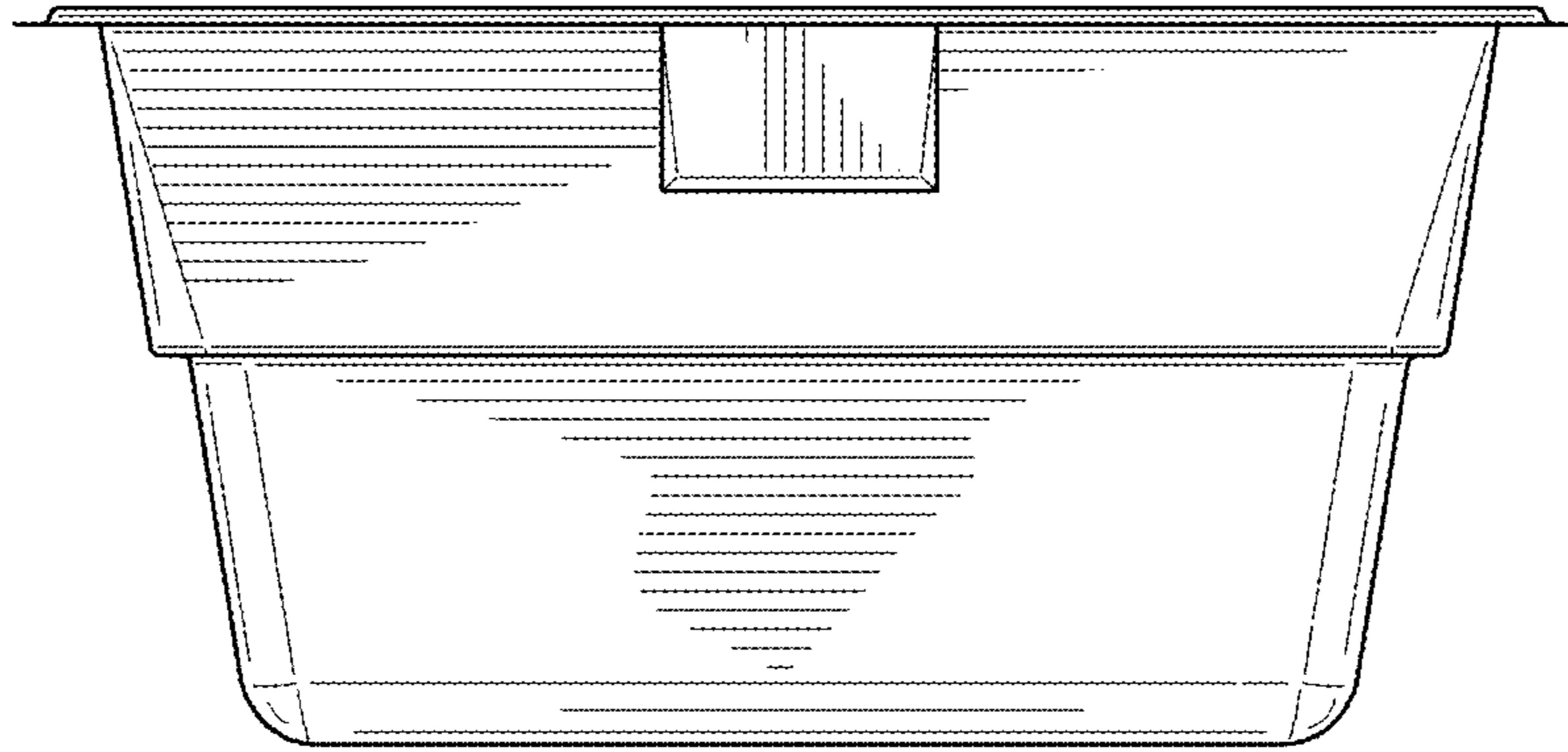


FIG. 5

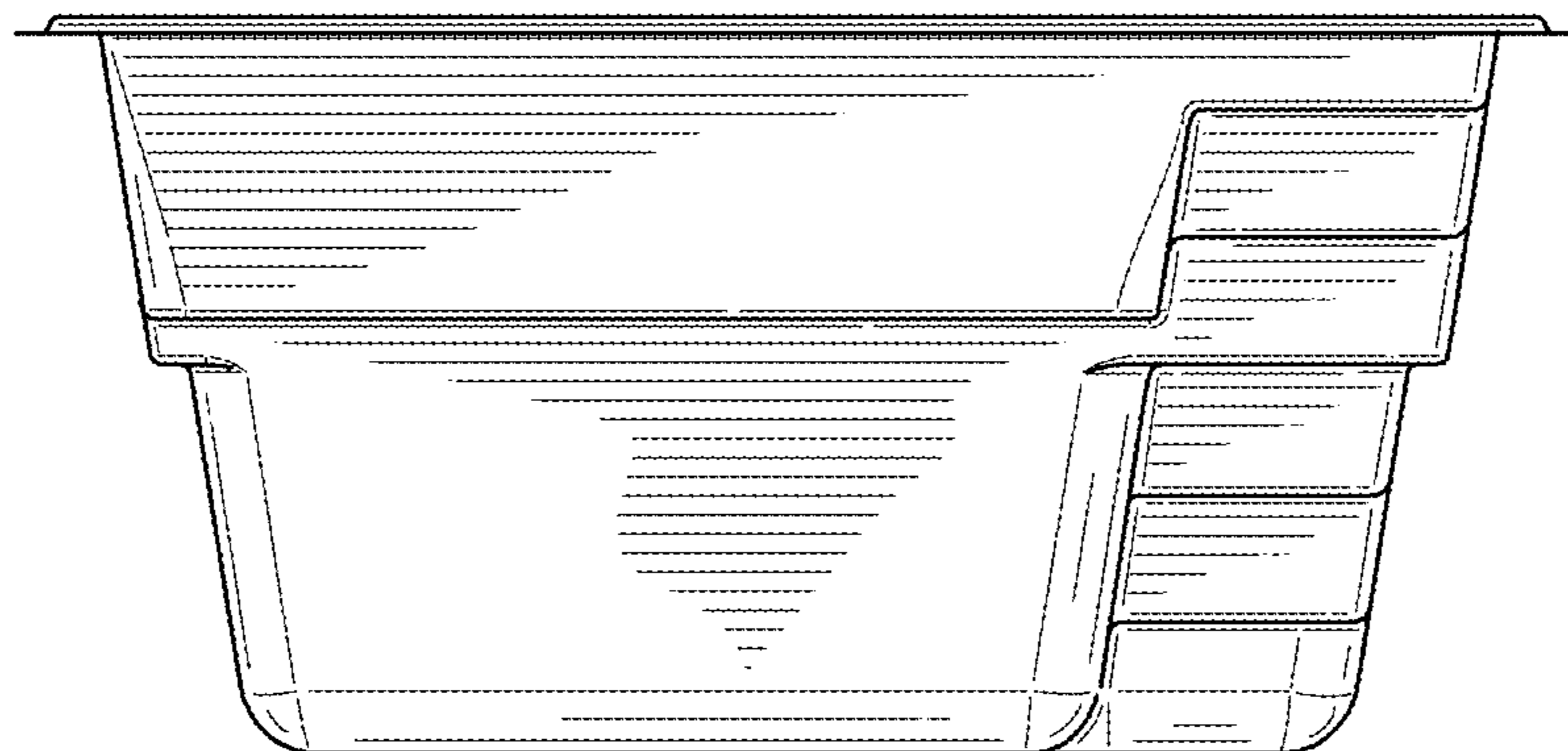


FIG. 6

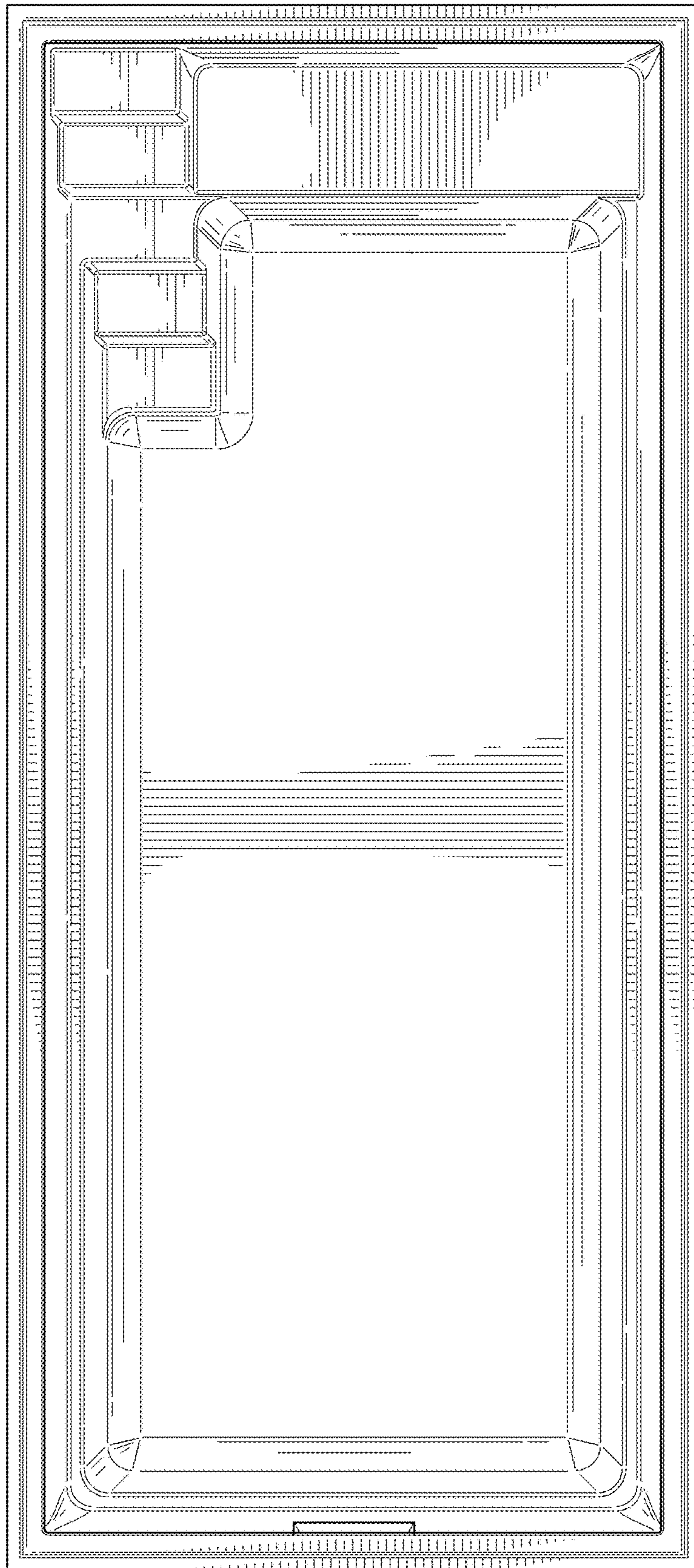


FIG. 7

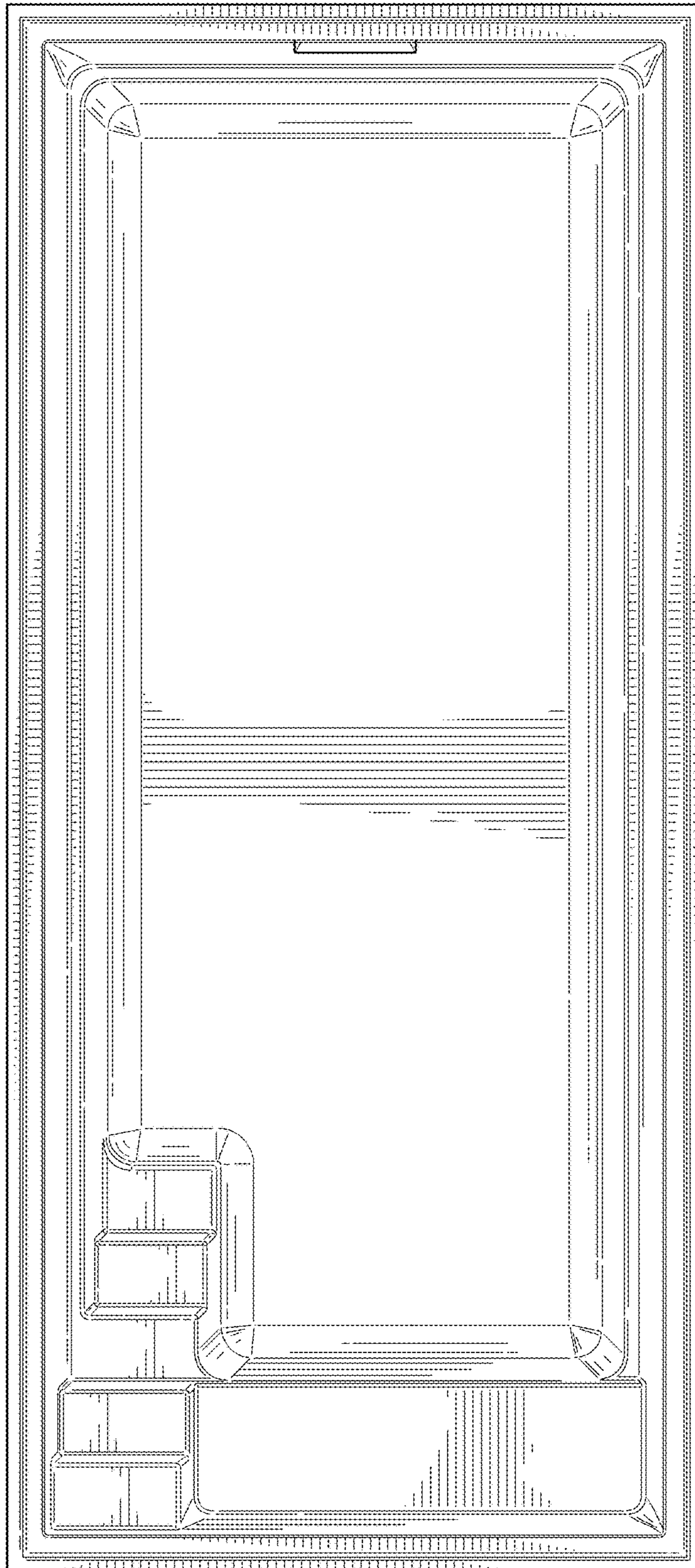


FIG. 8