



US00D800339S

(12) **United States Design Patent** (10) **Patent No.:** **US D800,339 S**
Kittler (45) **Date of Patent:** **** Oct. 17, 2017**

(54) **TRANSPORT CONTAINER FOR MEASURING DEVICE**

(71) Applicant: **HELMUT FISCHER GMBH INSTITUT INSTITUT FÜR ELEKTRONIK UND MESSTECHNIK**, Sindelfingen (DE)

(72) Inventor: **Reinhard Kittler**, Wilhering (AT)

(73) Assignee: **Helmut Fischer GmbH Institut für Elektronik und Messtechnik**, Sindelfingen (DE)

(**) Term: **15 Years**

(21) Appl. No.: **35/500,346**

(22) Filed: **Jul. 31, 2015**

(80) **Hague Agreement Data**

Int. Filing Date: **Jul. 31, 2015**

Int. Reg. No.: **DM/088384**

Int. Reg. Date: **Jul. 31, 2015**

Int. Reg. Pub. Date: **Dec. 11, 2015**

(30) **Foreign Application Priority Data**

Feb. 13, 2015 (DE) 40 2015 100 140

(51) **LOC (10) Cl.** **24-99**

(52) **U.S. Cl.**
USPC **D24/231**

(58) **Field of Classification Search**

USPC D24/158, 160, 231

CPC B05B 9/007

See application file for complete search history.

(56) **References Cited**

U.S. PATENT DOCUMENTS

8,141,754 B2 * 3/2012 Conner B05B 9/007
222/325

D702,350 S * 4/2014 Nasella D24/158

D758,585 S * 6/2016 Boegel D24/158

D758,586 S * 6/2016 Yokoyama D24/158

* cited by examiner

Primary Examiner — George D Kirschbaum

(74) *Attorney, Agent, or Firm* — Renner, Otto, Boisselle & Sklar, LLP

(57) **CLAIM**

I claim, the ornamental design for a transport container for measuring device, as shown and described.

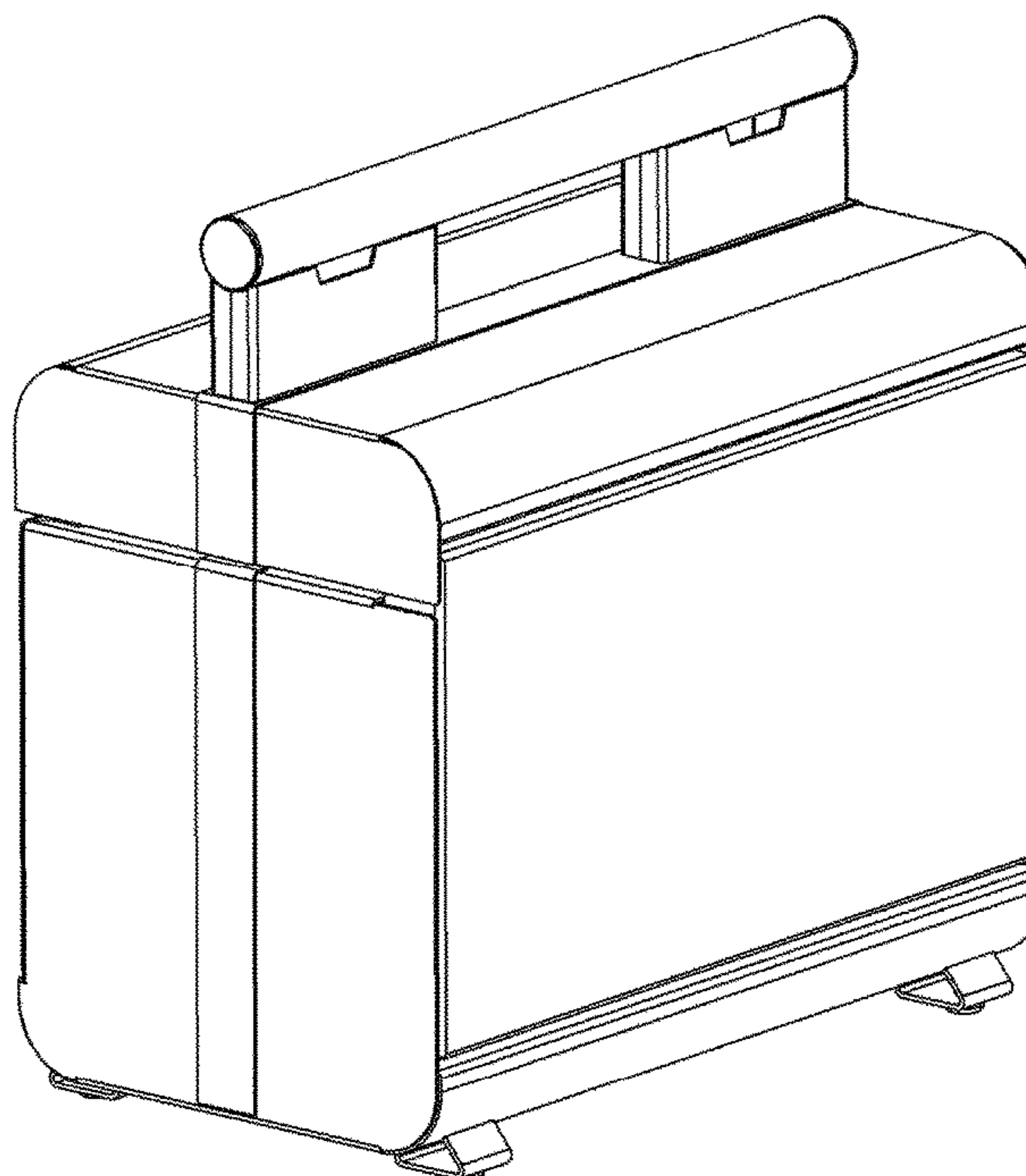
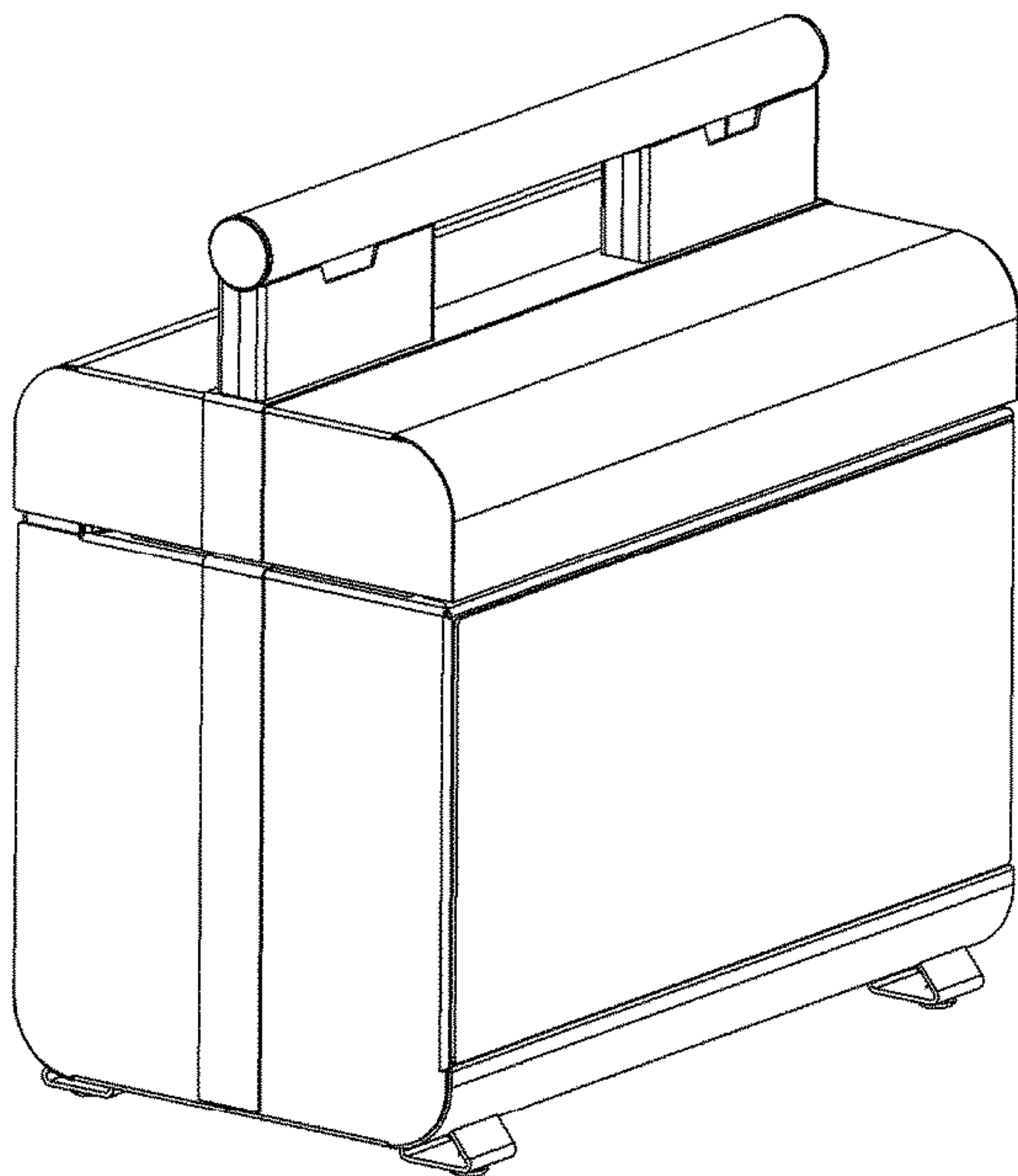
DESCRIPTION

1. Transport container for measuring device

FIG. 1.1 is a right side perspective view of a transport container for measuring device showing my new design.

FIG. 1.2 is a left side perspective view thereof.

1 Claim, 2 Drawing Sheets



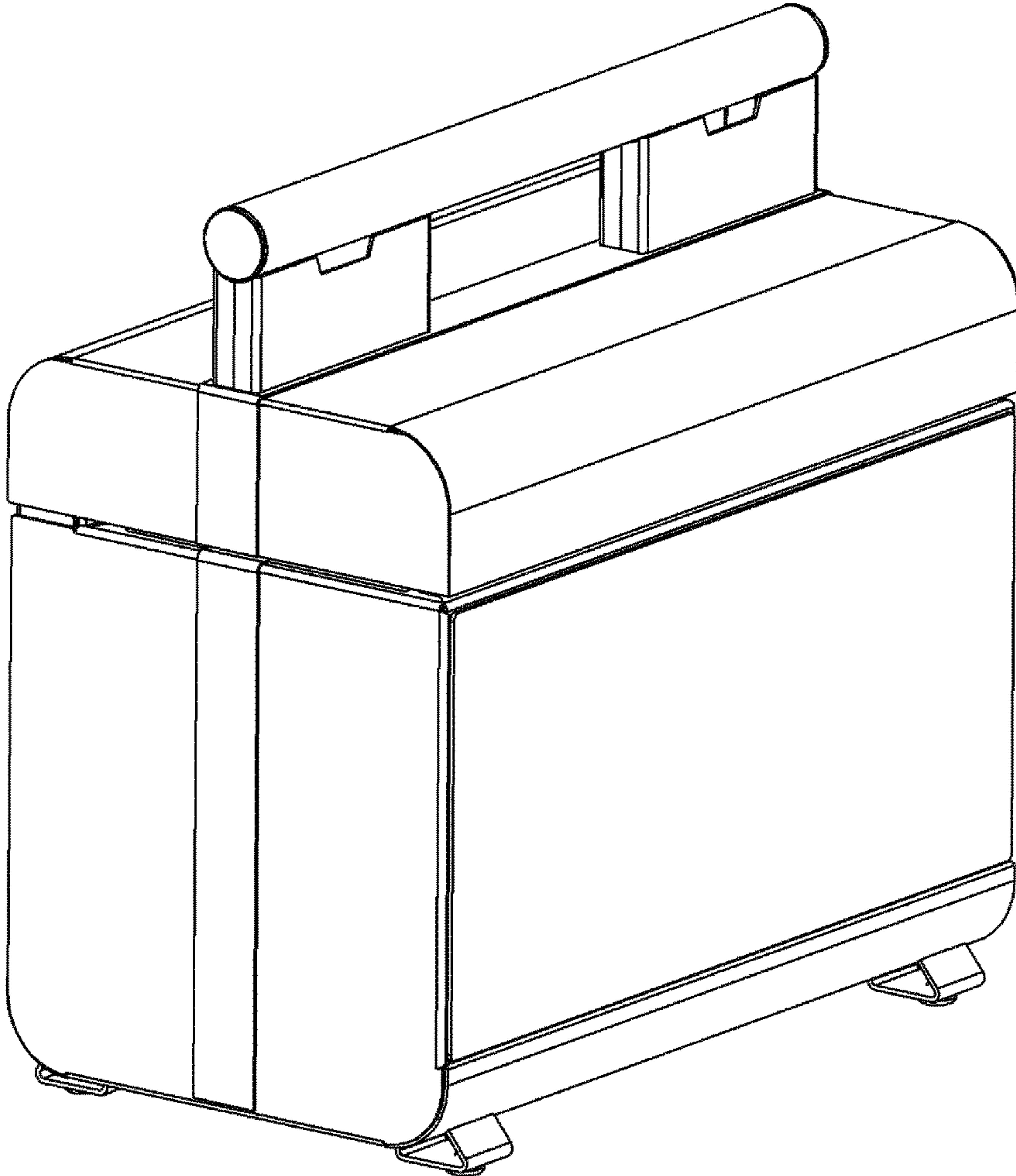


FIG. 1.1

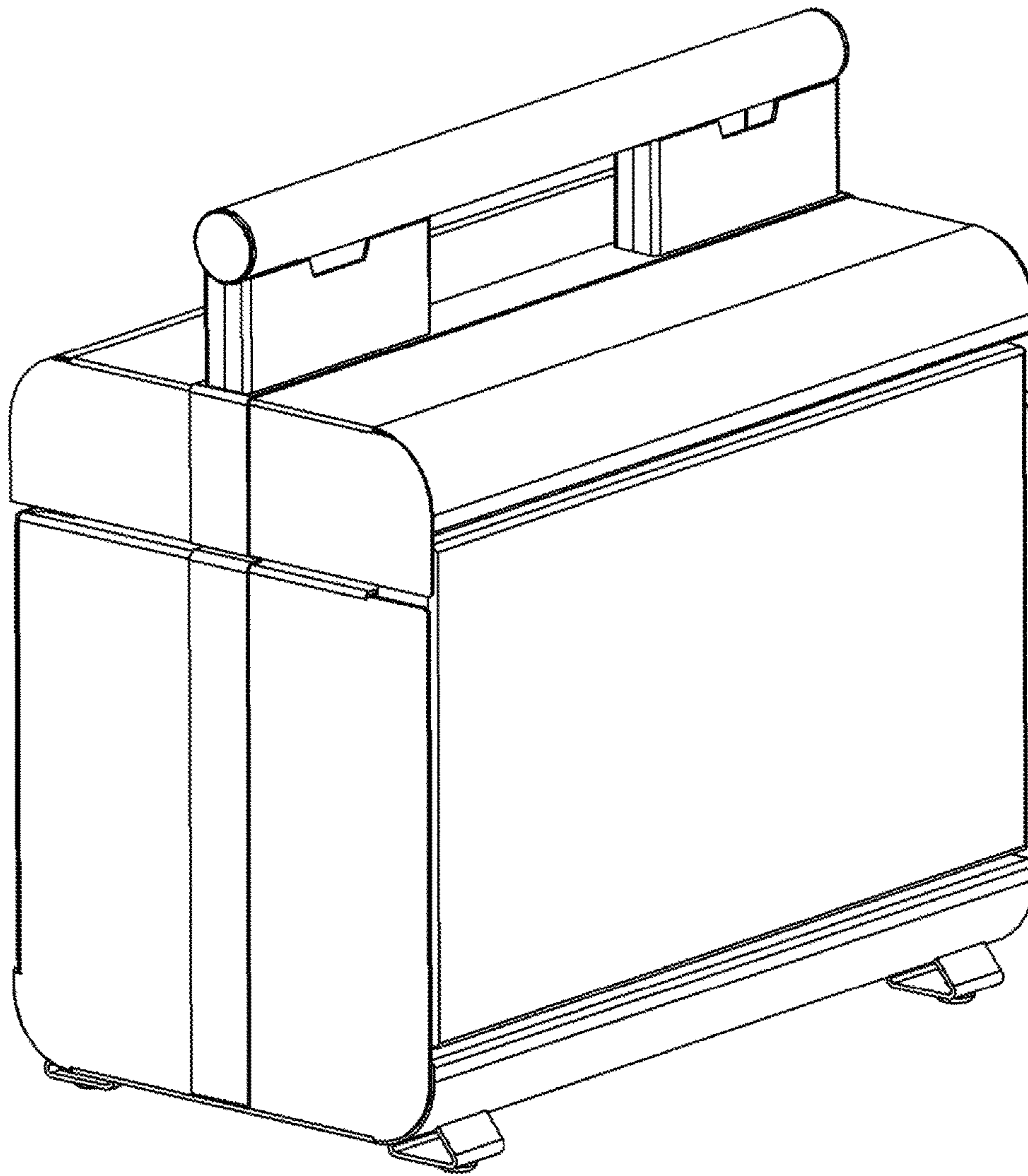


FIG. 1.2