



US00D800337S

(12) **United States Design Patent** (10) **Patent No.:** **US D800,337 S**
Daines (45) **Date of Patent:** **** Oct. 17, 2017**

- (54) **MEDICAL TRAY ASSEMBLY**
- (71) Applicant: **PHD Preventative Health Care and Diagnostics, Inc.**, Colorado Springs, CO (US)
- (72) Inventor: **Eric R. Daines**, Colorado Springs, CO (US)
- (**) Term: **15 Years**
- (21) Appl. No.: **29/552,976**
- (22) Filed: **Jan. 27, 2016**
- (51) **LOC (10) Cl.** **24-02**
- (52) **U.S. Cl.**
USPC **D24/227**
- (58) **Field of Classification Search**
USPC D24/227-230; D9/456; 206/570, 571, 206/569, 564, 557
CPC A61B 50/30; A61B 50/33; A61B 50/34; A61B 50/36; A61B 2050/3011
See application file for complete search history.

- (56) **References Cited**
U.S. PATENT DOCUMENTS
- | | | | | |
|--------------|--------|-----------|-------|---------|
| D293,820 S * | 1/1988 | Guth | | D24/230 |
| D343,687 S * | 1/1994 | Houghton | | D24/227 |
| D471,641 S * | 3/2003 | McMichael | | D24/227 |
| D565,743 S * | 4/2008 | Phillips | | D24/229 |
| D587,110 S * | 2/2009 | Kronshage | | D24/227 |

- | | | | | |
|--------------|---------|---------|-------|---------|
| D608,015 S * | 1/2010 | Sandel | | D24/227 |
| D608,456 S * | 1/2010 | Sandel | | D24/227 |
| D613,418 S * | 4/2010 | Ryan | | D24/229 |
| D618,821 S * | 6/2010 | Larsen | | D24/227 |
| D638,137 S * | 5/2011 | Gross | | D24/227 |
| D646,796 S * | 10/2011 | Walter | | D24/227 |
| D650,912 S * | 12/2011 | Tomes | | D24/227 |
| D676,573 S * | 2/2013 | Austria | | D24/227 |
| D704,856 S * | 5/2014 | Tomes | | D24/227 |

* cited by examiner

Primary Examiner — Susan Bennett Hattan
Assistant Examiner — Rebecca Tsehaye

(74) *Attorney, Agent, or Firm* — Aspire IP, LLC; Scott J. Hawranek

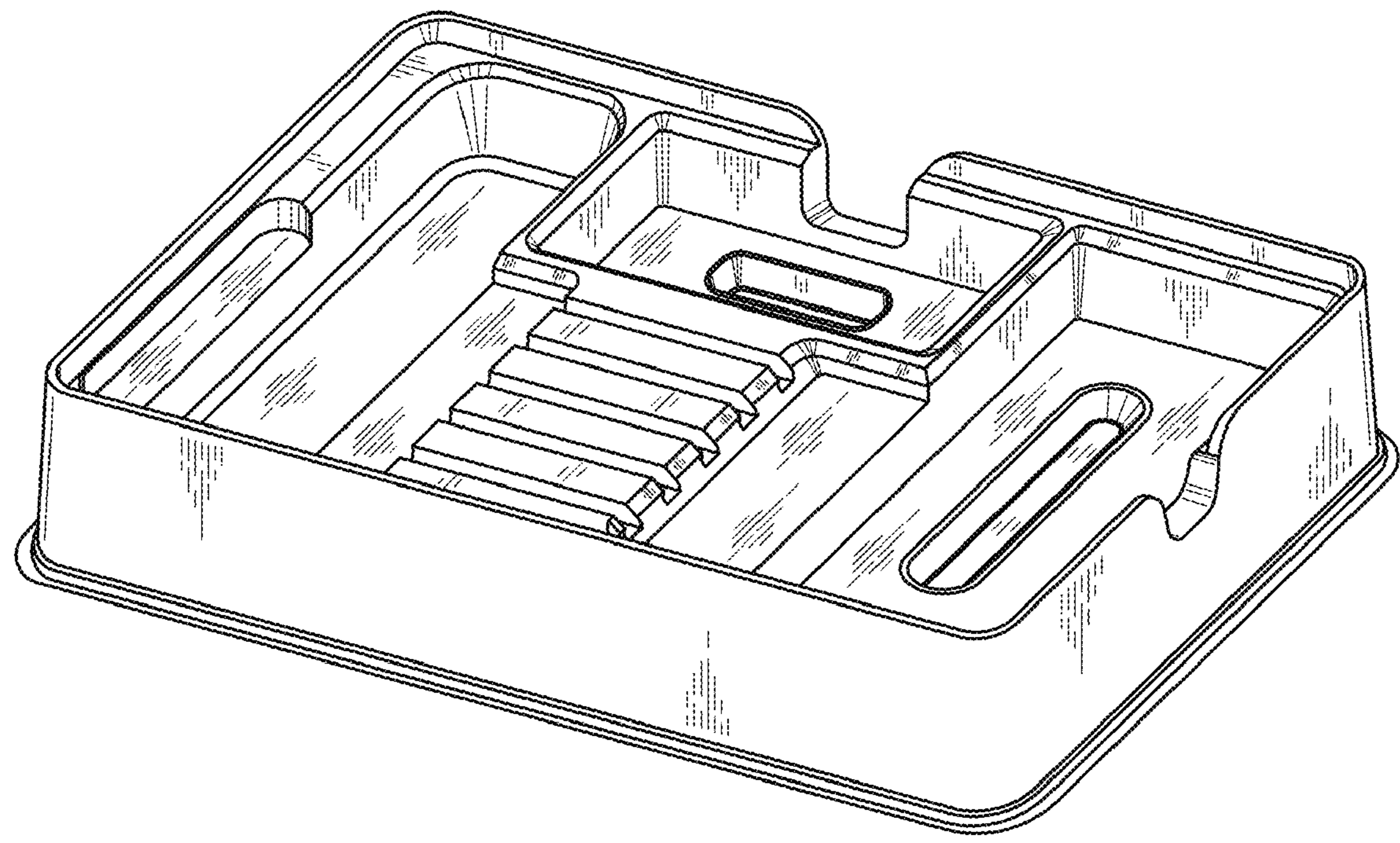
(57) **CLAIM**

I claim the ornamental design for a medical tray assembly, substantially as shown and described.

DESCRIPTION

FIG. 1 is a perspective view of a medical tray assembly in accordance with the present invention;
 FIG. 2 is a top view for the medical tray assembly;
 FIG. 3 is a bottom view for the medical tray assembly;
 FIG. 4 is a rear view for the medical tray assembly;
 FIG. 5 is a front view for the medical tray assembly;
 FIG. 6 is a right view for the medical apparatus; and,
 FIG. 7 is a left view for the medical apparatus.

1 Claim, 4 Drawing Sheets



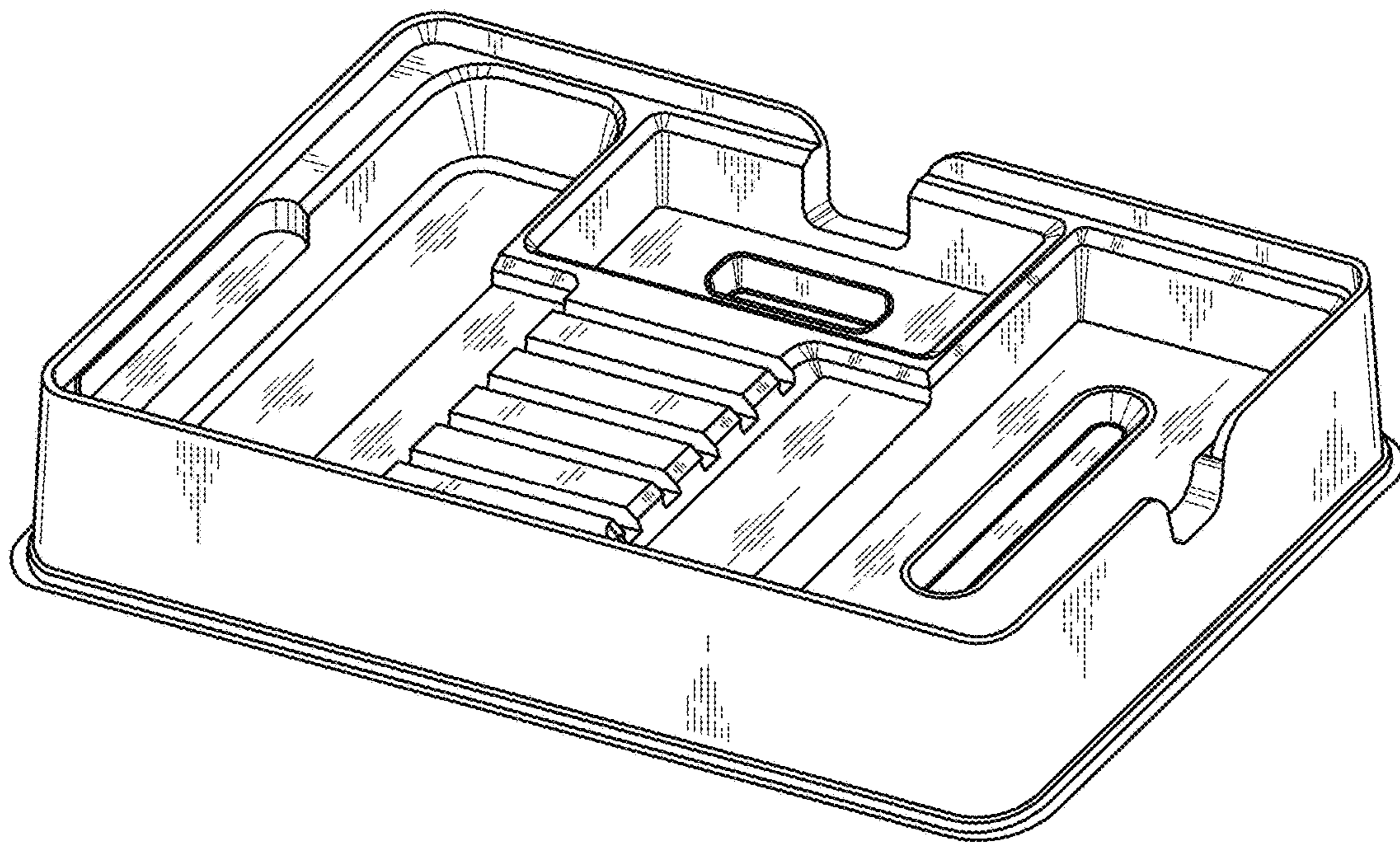


FIG. 1

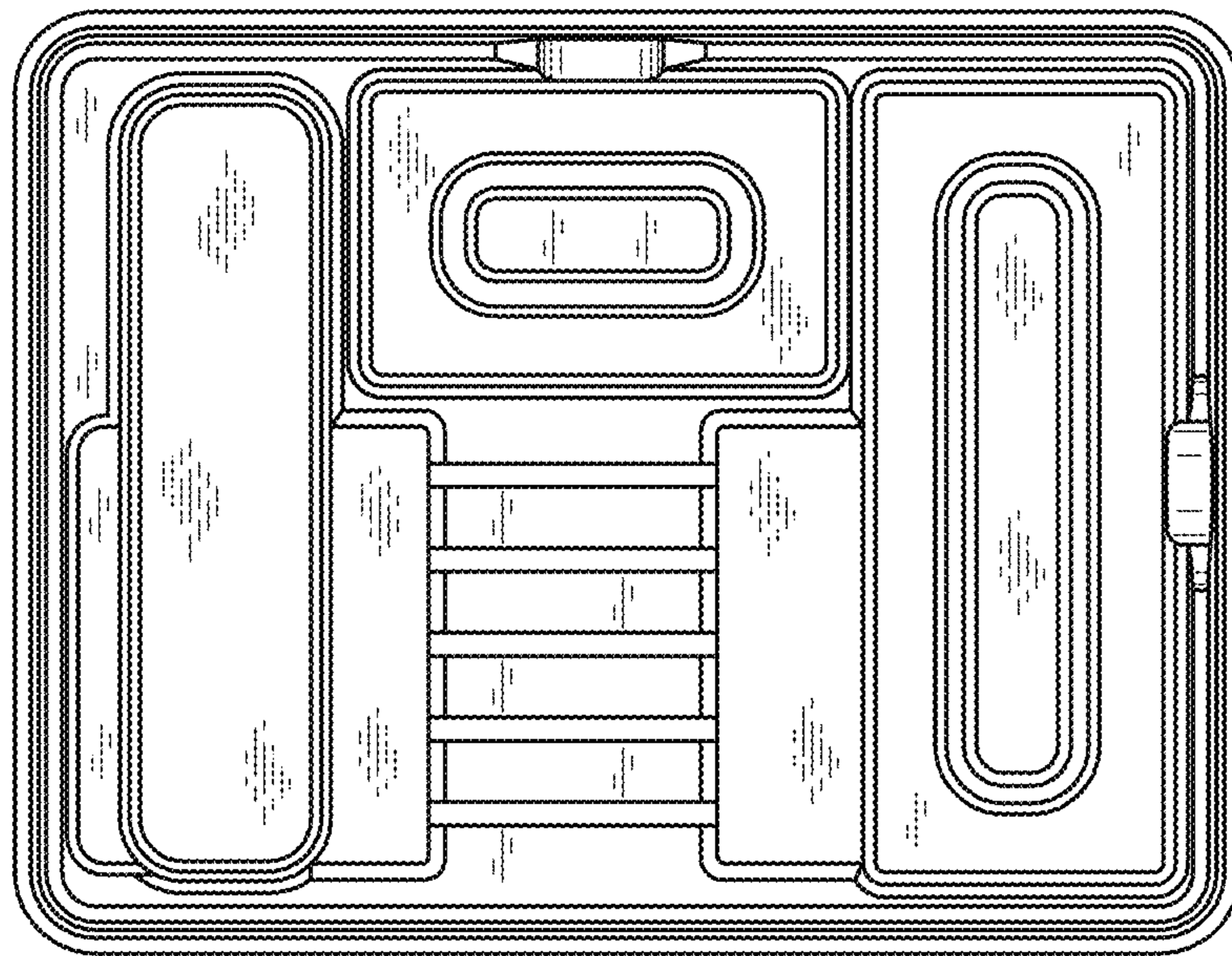


FIG. 2

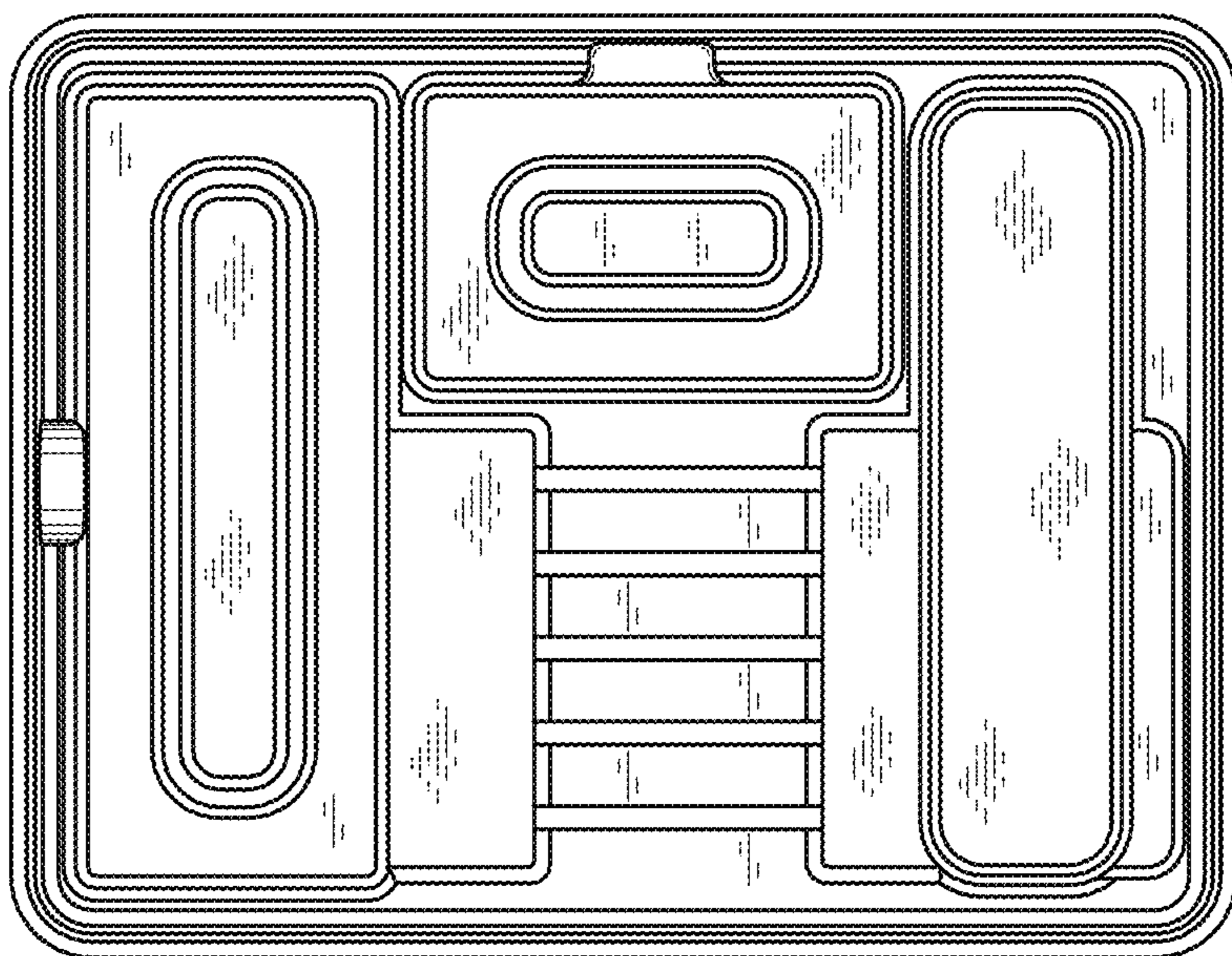


FIG. 3

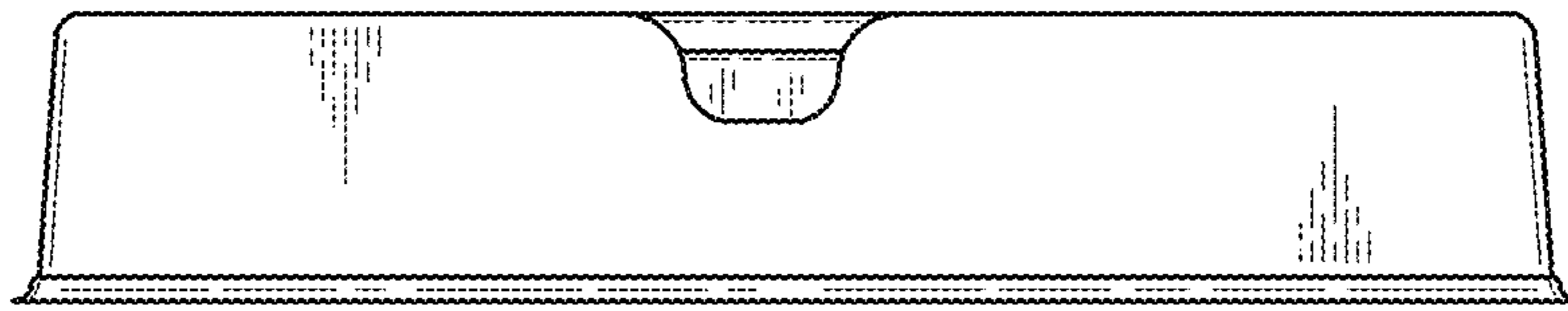


FIG. 4



FIG. 5

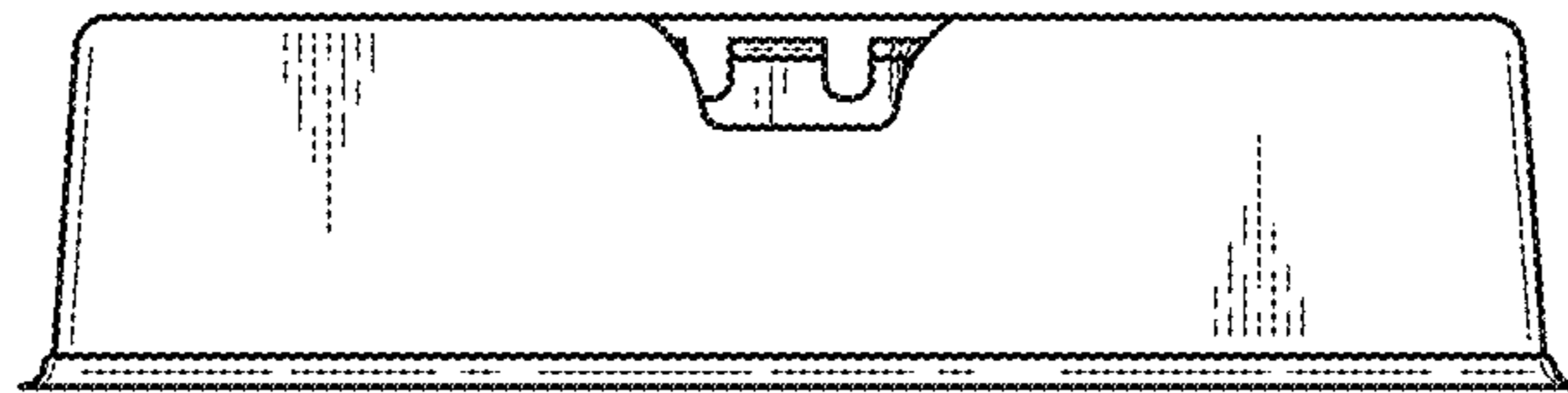


FIG. 6



FIG. 7