



US00D800336S

(12) **United States Design Patent**  
**Chang et al.**

(10) **Patent No.:** **US D800,336 S**

(45) **Date of Patent:** **\*\* Oct. 17, 2017**

(54) **MICROFLUIDIC CARTRIDGE**

G01N 33/558; G01N 33/54366; G01N 33/53; G01N 33/5438; G01N 33/54386

(71) Applicant: **Precision Nanosystems Inc.**, Vancouver (CA)

See application file for complete search history.

(72) Inventors: **Shao Fang Shannon Chang**, North Vancouver (CA); **Andre Wild**, Vancouver (CA); **Sukhjinder Singh Sidhu**, Surrey (CA); **Ke Ma**, Vaughan (CA); **Benjamin Albert Versteeg**, Vancouver (CA); **Timothy Leaver**, Delta (CA)

(56) **References Cited**

U.S. PATENT DOCUMENTS

D299,859 S *	2/1989	Fan	.....	D24/225
D299,860 S *	2/1989	Fan	.....	D24/223
D328,135 S *	7/1992	Fan	.....	D24/216
D351,913 S *	10/1994	Hieb	.....	D24/223
D530,021 S *	10/2006	Muraca	.....	D24/226
D530,826 S *	10/2006	Rich	.....	D24/225
D540,953 S *	4/2007	Ramel	.....	D24/224

(Continued)

(73) Assignee: **PRECISION NANOSYSTEMS INC.**, Vancouver (CA)

OTHER PUBLICATIONS

U.S. Appl. No. 62/359,123, Precision NanoSystems Inc.  
(Continued)

(\*\*) Term: **15 Years**

*Primary Examiner* — Karen Kearney  
*Assistant Examiner* — Mark Cavanna  
(74) *Attorney, Agent, or Firm* — Susan M. Tees

(21) Appl. No.: **29/570,996**

(22) Filed: **Jul. 13, 2016**

(51) **LOC (10) Cl.** ..... **24-02**

(52) **U.S. Cl.**  
USPC ..... **D24/224**

(58) **Field of Classification Search**  
USPC ..... D24/169, 216, 223–227, 230, 232–233; D10/81; 204/403.01, 411, 450–453, 601; 356/246; 422/64, 68.1, 72–73, 400–401, 422/404, 408, 412, 417, 422, 500, 422/502–506, 552, 554, 559, 562; 435/283.1, 287.1, 287.2, 288.5, 288.7, 435/6.11, 289.1, 6.12, 29, 34, 4–5, 6.19, 435/7.1, 1.2; 436/165–166, 180, 501, 436/518; 506/7, 9, 13, 18, 32, 33, 39; 73/864.91

CPC . A01N 1/0247; B01J 19/0046; B01J 19/0093; B01L 9/52; B01L 9/527; B29C 66/61; C12M 23/16; C12Q 1/40; C12Q 1/686; C12Q 1/6837; G01N 15/1484; G01N 21/03; G01N 21/6428; G01N 21/8483; G01N 21/00029; G01N 21/07; G01N 21/6452; G01N 21/78; G01N 21/253;

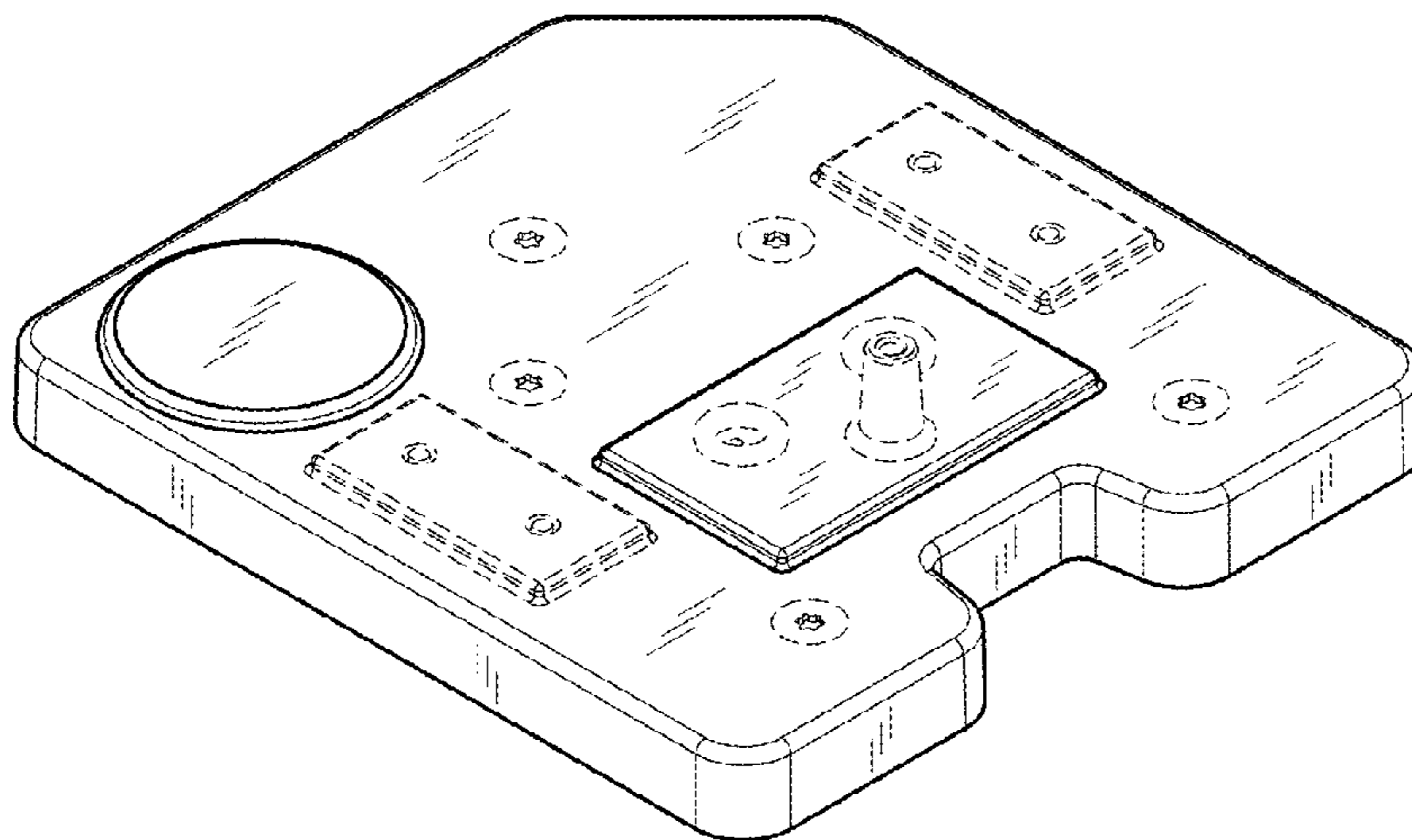
(57) **CLAIM**

The ornamental design for a microfluidic cartridge, as shown and described.

**DESCRIPTION**

FIG. 1 is a bottom front right perspective view of a microfluidic cartridge showing our new design; FIG. 2 is a top plan view thereof; FIG. 3 is a bottom plan view thereof; FIG. 4 is a front elevation view thereof; FIG. 5 is a rear elevation view thereof; FIG. 6 is a left side elevation view thereof; and, FIG. 7 is a right side elevation view thereof. The broken lines are included for the purpose of illustrating portions of the microfluidic cartridge that form no part of the claimed design.

**1 Claim, 4 Drawing Sheets**



(56)

References Cited

U.S. PATENT DOCUMENTS

D565,742 S \* 4/2008 Parunak ..... D24/224  
 D566,291 S \* 4/2008 Parunak ..... D24/224  
 7,727,371 B2 \* 6/2010 Kennedy ..... B01L 9/527  
 422/502  
 D633,209 S \* 2/2011 Boessneck ..... D24/169  
 8,034,296 B2 \* 10/2011 Cox ..... B01L 3/50273  
 422/73  
 D686,340 S \* 7/2013 Smith ..... D24/225  
 8,636,033 B2 \* 1/2014 Jung ..... B01L 3/502738  
 436/180  
 9,034,634 B2 \* 5/2015 Miller ..... B01L 3/5027  
 435/283.1  
 9,475,052 B2 \* 10/2016 Tachibana ..... B01J 19/0093  
 2007/0072287 A1 \* 3/2007 Morisette ..... B01L 3/502715  
 435/287.2  
 2009/0170189 A1 \* 7/2009 Park ..... B29C 66/61  
 435/288.7  
 2009/0253582 A1 \* 10/2009 Pena ..... B01L 3/5085  
 506/7  
 2009/0311796 A1 \* 12/2009 Griss ..... B01L 3/50273  
 436/166  
 2010/0216126 A1 \* 8/2010 Balachandran ..... B01F 13/0059  
 422/505  
 2011/0003330 A1 \* 1/2011 Durack ..... B01L 3/502761  
 435/34

2011/0154919 A1 \* 6/2011 Chuang ..... B01L 9/527  
 73/864.91  
 2013/0052748 A1 \* 2/2013 Campbell ..... G01N 33/558  
 436/501  
 2013/0130262 A1 \* 5/2013 Battrell ..... B01L 3/50273  
 435/287.2  
 2013/0295551 A1 \* 11/2013 Eddington ..... A01N 1/0247  
 435/1.2  
 2014/0038193 A1 \* 2/2014 Spoto ..... C12Q 1/686  
 435/6.12  
 2014/0094391 A1 \* 4/2014 McDevitt ..... B01L 3/5027  
 506/18  
 2014/0220668 A1 \* 8/2014 Tachibana ..... B01J 19/0093  
 435/287.2  
 2015/0087079 A1 \* 3/2015 Coffey ..... G01N 33/54366  
 436/501  
 2015/0147769 A1 \* 5/2015 Kim ..... C12Q 1/40  
 435/288.7  
 2016/0175840 A1 \* 6/2016 Ingber ..... B01L 3/502707  
 422/502  
 2017/0113221 A1 \* 4/2017 Hoffman ..... B01L 3/502715

OTHER PUBLICATIONS

U.S. Appl. No. 29/525,300, The University of British Columbia.  
 U.S. Appl. No. 29/525,294, The University of British Columbia.  
 U.S. Appl. No. 29/525,306, The University of British Columbia.

\* cited by examiner

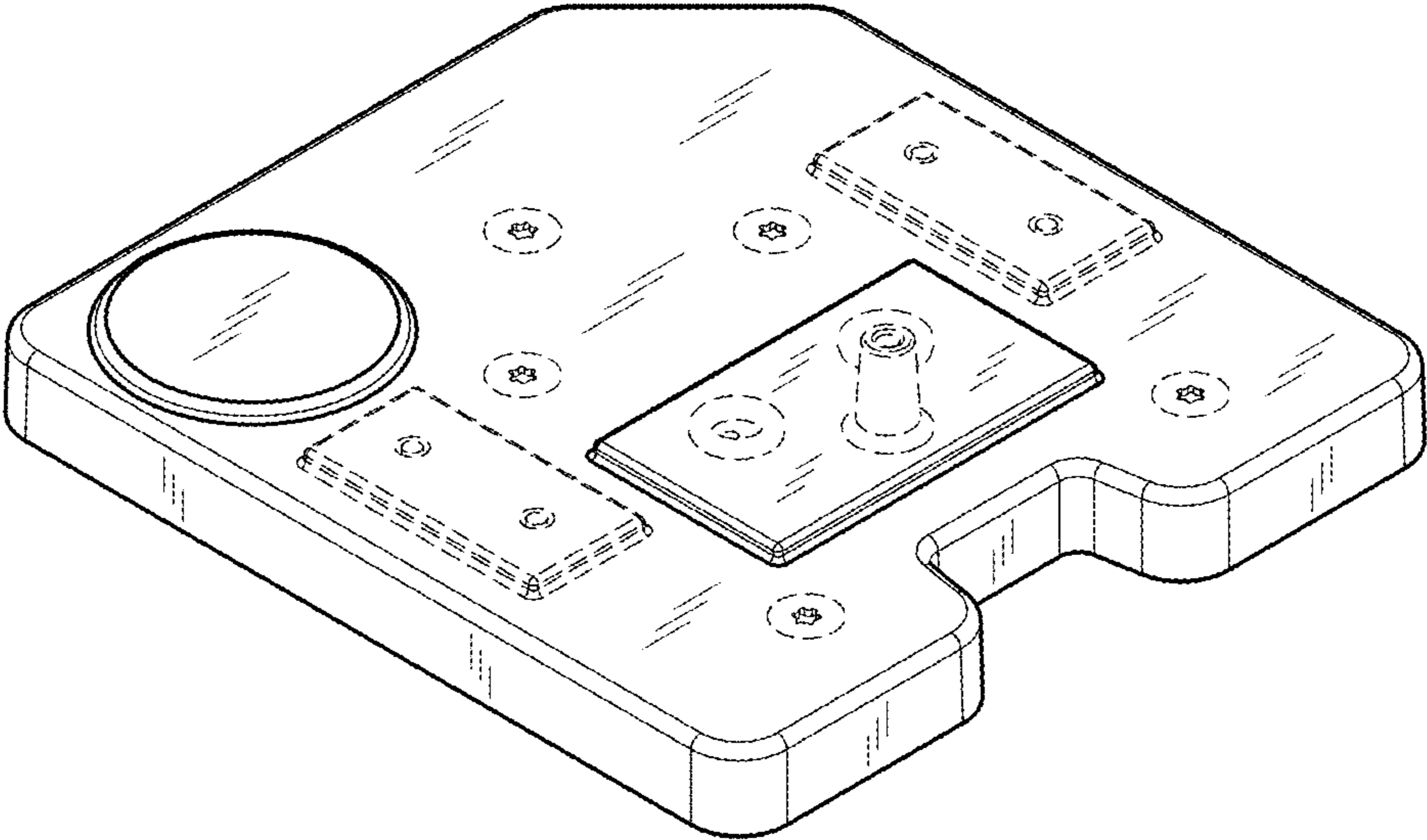


FIG. 1

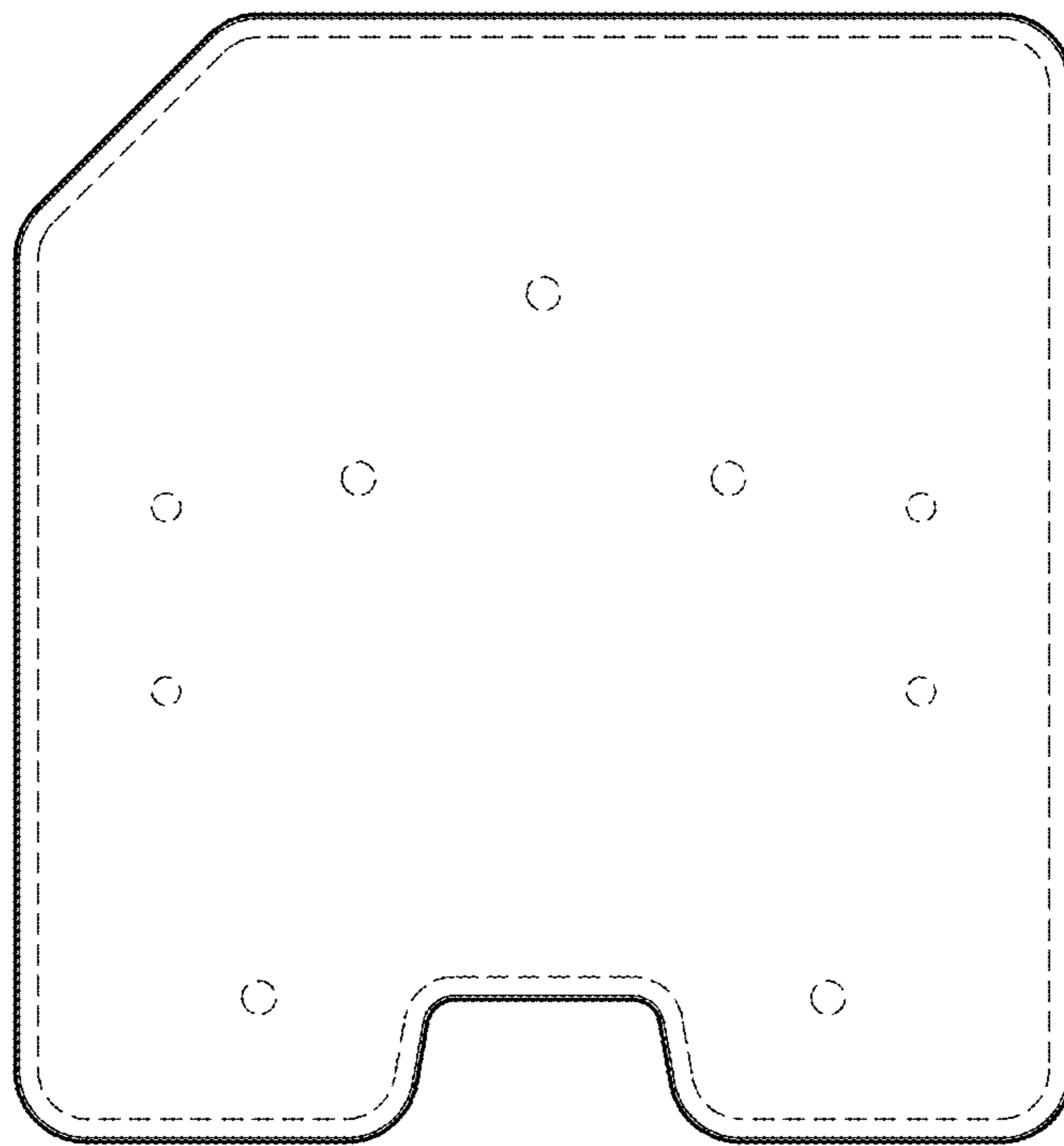


FIG. 2

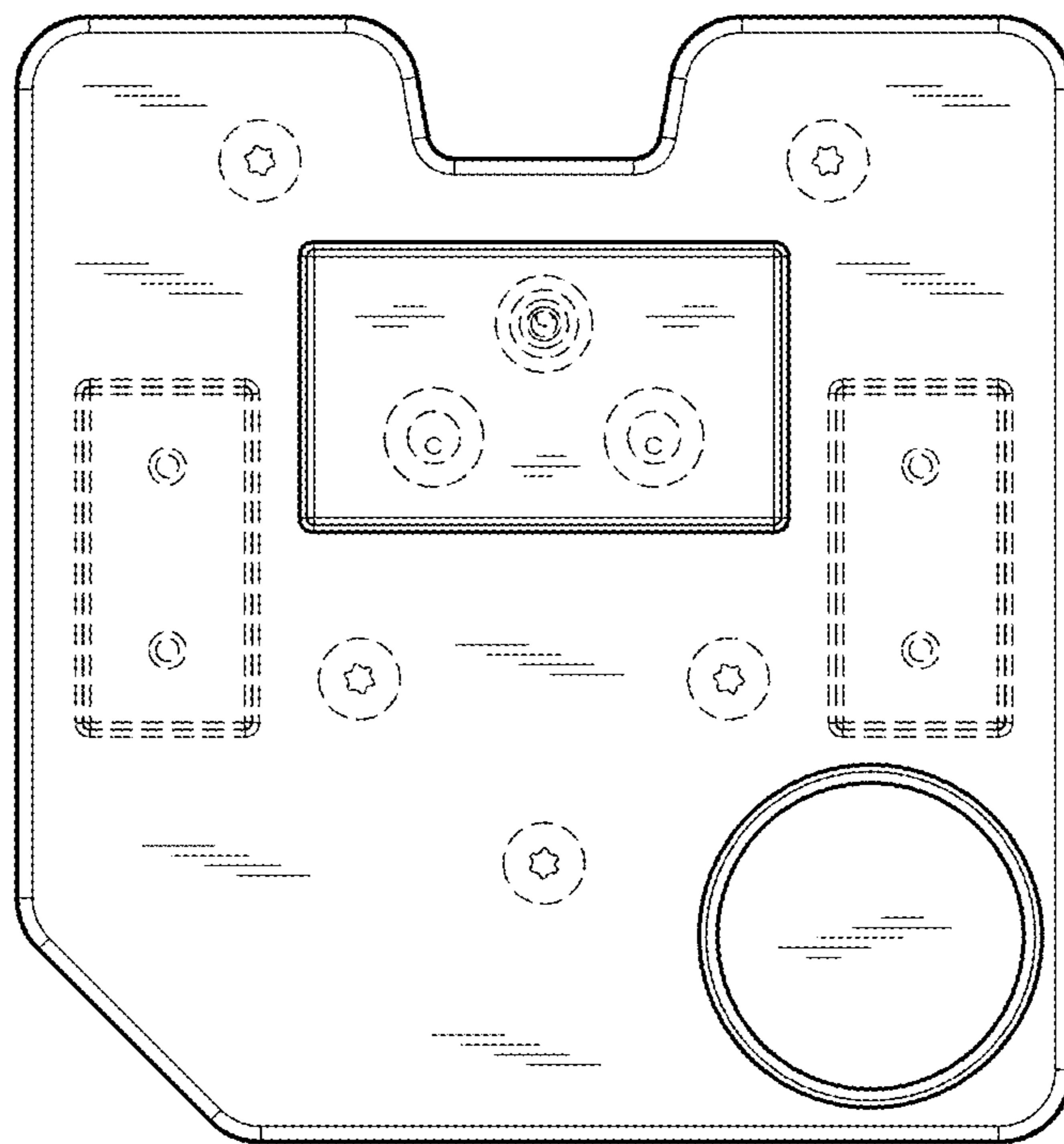


FIG. 3

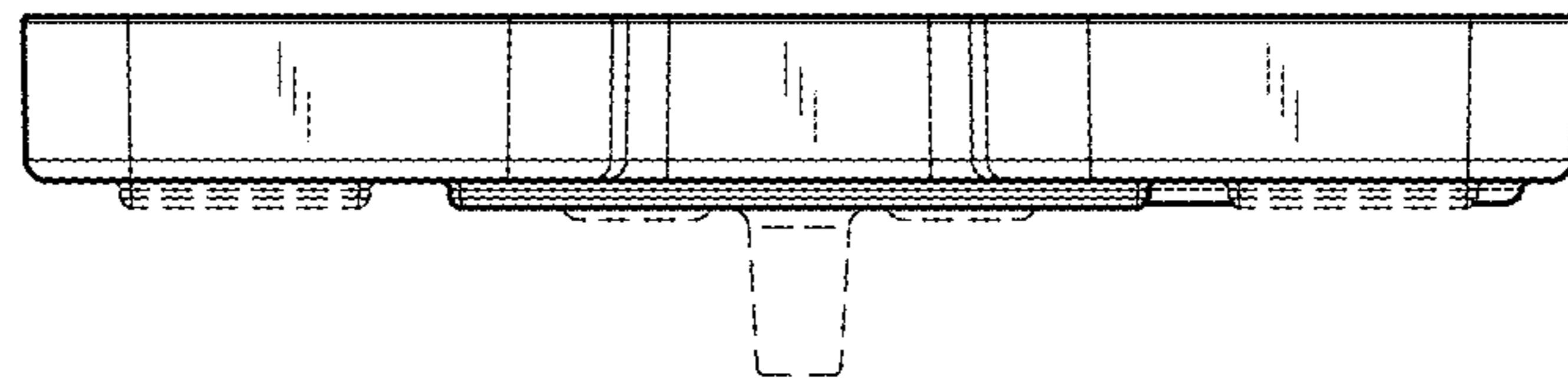


FIG. 4

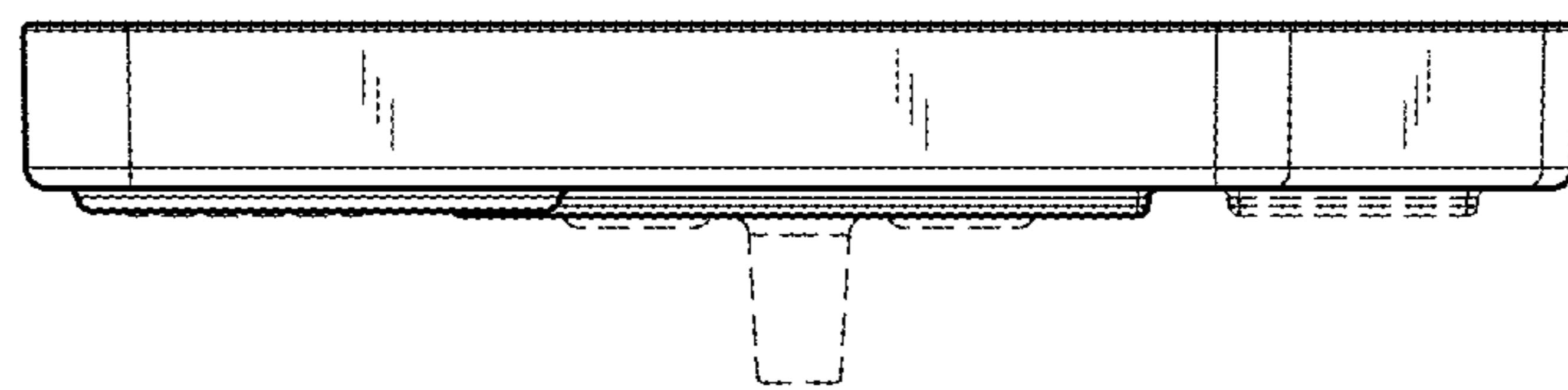


FIG. 5

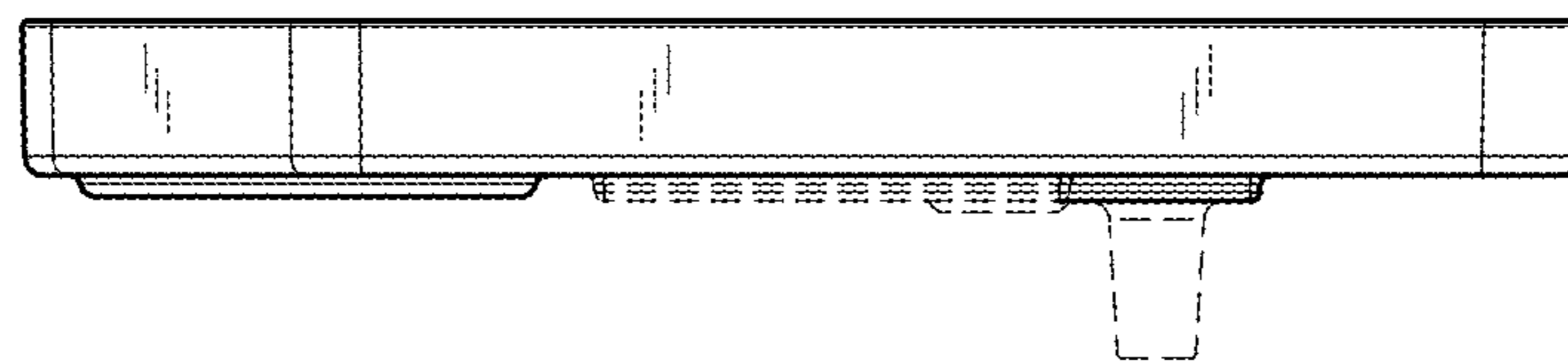


FIG. 6

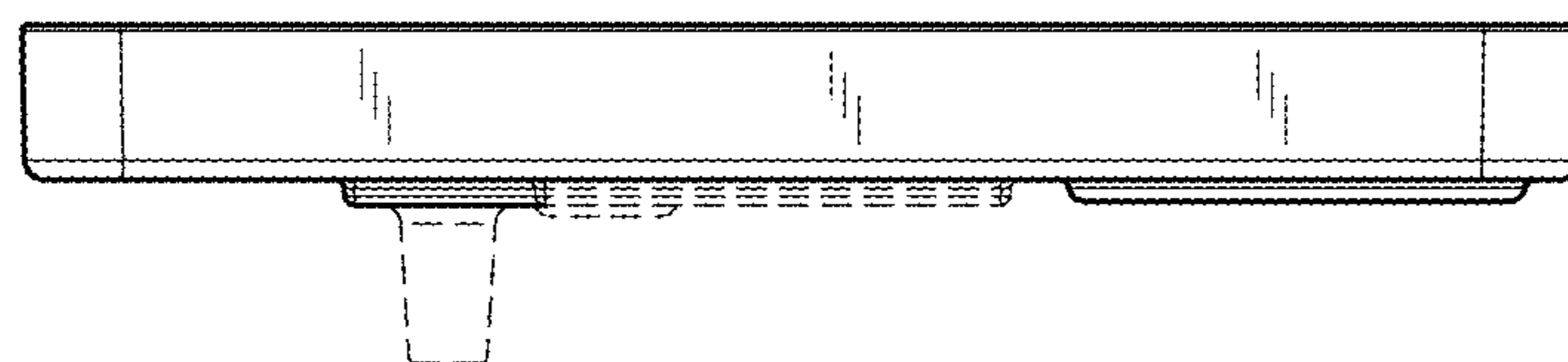


FIG. 7