



US00D800335S

(12) **United States Design Patent** (10) **Patent No.:** **US D800,335 S**
Chang et al. (45) **Date of Patent:** **** Oct. 17, 2017**

(54) **MICROFLUIDIC CHIP**

(71) Applicant: **Precision Nanosystems Inc.**

(72) Inventors: **Shao Fang Shannon Chang**, North Vancouver (CA); **Andre Wild**, Vancouver (CA); **Keara Marshall**, Vancouver (CA)

(73) Assignee: **PRECISION NANOSYSTEMS INC.**, Vancouver (CA)

(**) Term: **15 Years**

(21) Appl. No.: **29/570,917**

(22) Filed: **Jul. 13, 2016**

(51) **LOC (10) Cl.** **24-02**

(52) **U.S. Cl.**
USPC **D24/224**

(58) **Field of Classification Search**
USPC D24/169, 216, 223-227, 230, 232-233; D10/81; 422/64, 68.1, 72-73, 400-401, 422/404, 408, 412, 417, 422, 500, 422/502-506, 552, 554, 559, 562; 436/165-166, 180, 501, 518; 435/283.1, 435/287.1, 287.2, 288.5, 288.7, 6.11, 435/289.1, 6.12, 29, 34, 4-5, 6.19, 7.1, 435/1.2; 204/403.01, 411, 450-453, 601; 356/246; 506/7, 9, 13, 18, 32, 33, 39; 73/864.91

CPC . A01N 1/0247; B01J 19/0046; B01J 19/0093; B01L 9/52; B01L 9/527; B01L 7/52; B01L 7/5255; B29C 66/61; C12M 23/16; C12Q 1/40; C12Q 1/686; C12Q 1/6837; G01N 15/1484; G01N 21/03; G01N 21/6428; G01N 21/8483; G01N 21/00029; G01N 21/07; G01N 21/6452; G01N 21/78; G01N 21/253; G01N 33/558; G01N 33/54366; G01N 33/53; G01N 33/5438; G01N 33/54386; G01N 27/4145; B01D 19/0031

See application file for complete search history.

(56) **References Cited**

U.S. PATENT DOCUMENTS

6,498,497 B1 * 12/2002 Chow B01L 9/527 324/607
7,344,877 B1 * 3/2008 Camacho B01L 3/5085 435/287.2
D565,742 S * 4/2008 Parunak D24/224
D566,291 S * 4/2008 Parunak D24/224
7,442,342 B2 * 10/2008 Anderson B01L 9/52 422/510
7,482,170 B2 * 1/2009 Green B01J 19/0046 422/510

(Continued)

OTHER PUBLICATIONS

U.S. Appl. No. 62/359,123, Precision NanoSystems Inc.

Primary Examiner — Karen Kearney

Assistant Examiner — Mark Cavanna

(74) *Attorney, Agent, or Firm* — Susan M. Tees

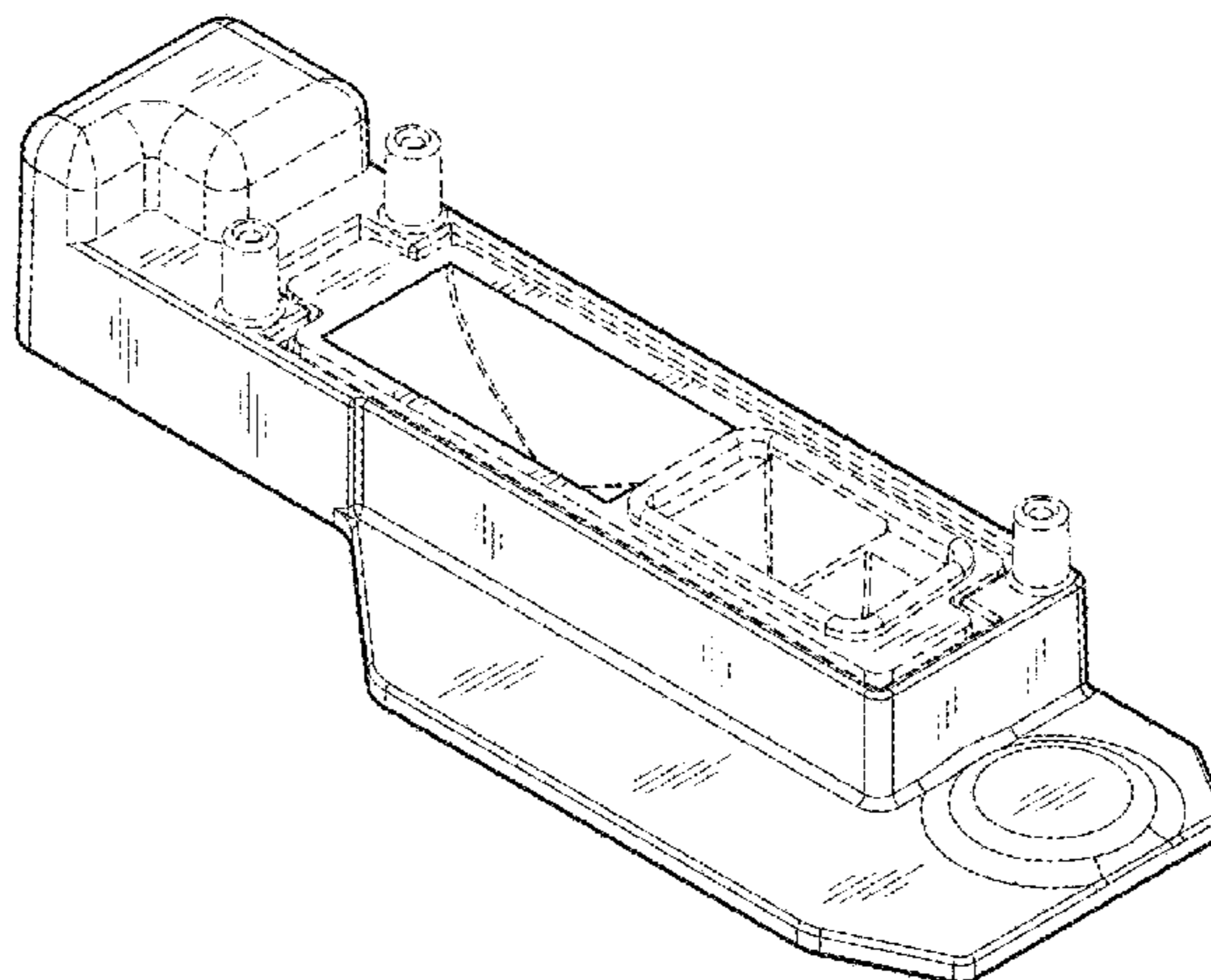
(57) **CLAIM**

The ornamental design for a microfluidic chip, as shown and described.

DESCRIPTION

FIG. 1 is a top front right perspective view of a microfluidic chip showing our new design; FIG. 2 is a top plan view thereof; FIG. 3 is a bottom plan view thereof; FIG. 4 is a right side elevation view thereof; FIG. 5 is a left side elevation view thereof; FIG. 6 is a rear elevation view thereof; and, FIG. 7 is a front elevation view thereof. ps The broken lines are included for the purpose of illustrating portions of the microfluidic chip that form no part of the claimed design.

1 Claim, 4 Drawing Sheets



(56)

References Cited

U.S. PATENT DOCUMENTS

7,495,210 B2 * 2/2009 Li B01L 3/0268
250/281
7,727,371 B2 * 6/2010 Kennedy B01L 9/527
204/600
7,858,042 B2 * 12/2010 Hwang B01L 3/502707
422/503
7,959,875 B2 * 6/2011 Zhou B01L 3/5025
422/502
7,998,708 B2 * 8/2011 Handique B01L 3/502715
435/6.1
8,105,783 B2 * 1/2012 Handique B01L 3/5025
435/6.1
8,394,341 B2 * 3/2013 Reinhardt B01L 9/527
422/504
8,496,875 B2 * 7/2013 Greenstein B01L 3/502715
422/401
8,616,048 B2 * 12/2013 Ayliffe B01L 3/502715
73/61.71
8,753,873 B2 * 6/2014 Luckey B01L 3/5085
422/417
8,765,062 B2 * 7/2014 Linder B01L 3/5027
422/502
D734,482 S * 7/2015 Peterman D24/216
9,089,844 B2 * 7/2015 Hiddessen B01L 3/502784
9,278,321 B2 * 3/2016 Dale B01L 3/502715
9,364,833 B2 * 6/2016 Bergstedt B01L 3/50273
D771,833 S * 11/2016 Leaver D24/224
D771,834 S * 11/2016 Leaver D24/224
D772,427 S * 11/2016 Sanchez D24/224
9,651,568 B2 * 5/2017 Putnam G01N 21/6458

2002/0127740 A1 * 9/2002 Ho C12Q 1/6837
436/518
2004/0126766 A1 * 7/2004 Amorese B01L 3/50853
435/287.2
2004/0175298 A1 * 9/2004 Choikhet B01L 3/502715
422/400
2006/0257958 A1 * 11/2006 Bruno B82Y 5/00
435/287.2
2007/0072287 A1 * 3/2007 Morisette B01L 3/502715
435/6.11
2008/0153152 A1 * 6/2008 Wakabayashi B01F 1/0022
435/287.2
2009/0253582 A1 * 10/2009 Pena B01L 3/5085
506/7
2011/0053806 A1 * 3/2011 Amin B01L 3/502707
506/33
2011/0244595 A1 * 10/2011 Chung B01L 3/5027
436/501
2013/0130262 A1 * 5/2013 Battrell B01L 3/50273
435/6.12
2014/0047907 A1 * 2/2014 Murphy G01N 30/24
73/61.55
2014/0364342 A1 * 12/2014 Shimizu B01L 9/523
506/39
2015/0320348 A1 * 11/2015 Ram B01L 3/502715
422/502
2015/0352548 A1 * 12/2015 Deshpande B01L 3/5027
422/502
2016/0175840 A1 * 6/2016 Ingber B01L 3/502707
422/502
2016/0223464 A1 * 8/2016 Kango G01N 21/658
2016/0375438 A1 * 12/2016 Marcy B01L 3/502738
506/39
2017/0209865 A1 * 7/2017 Carrano B01L 3/502761

* cited by examiner

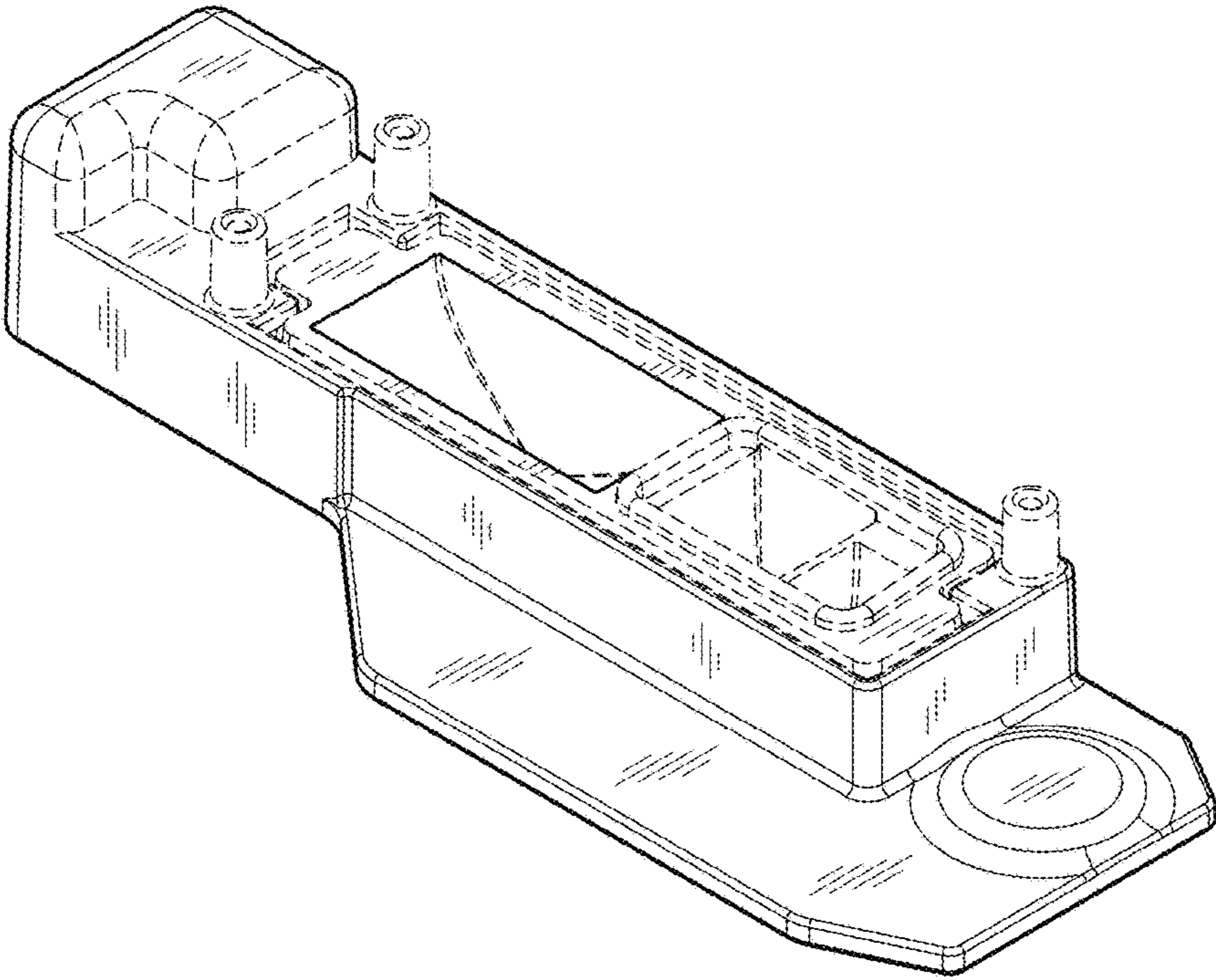


FIG. 1

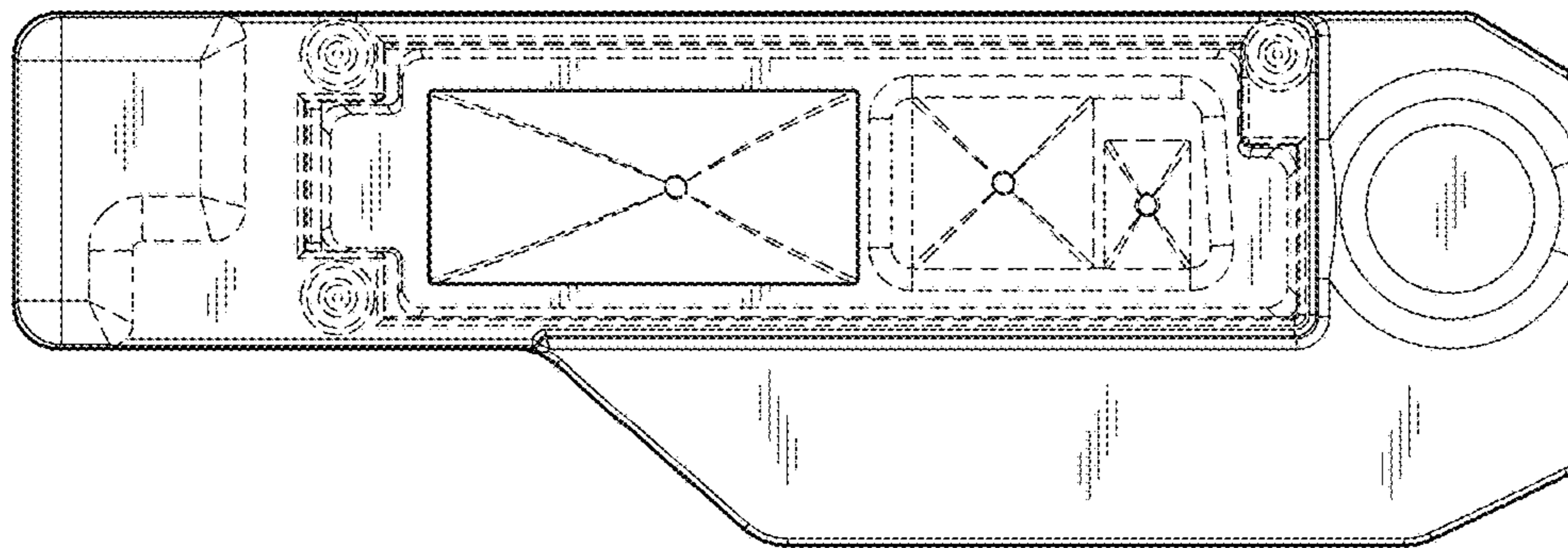


FIG. 2

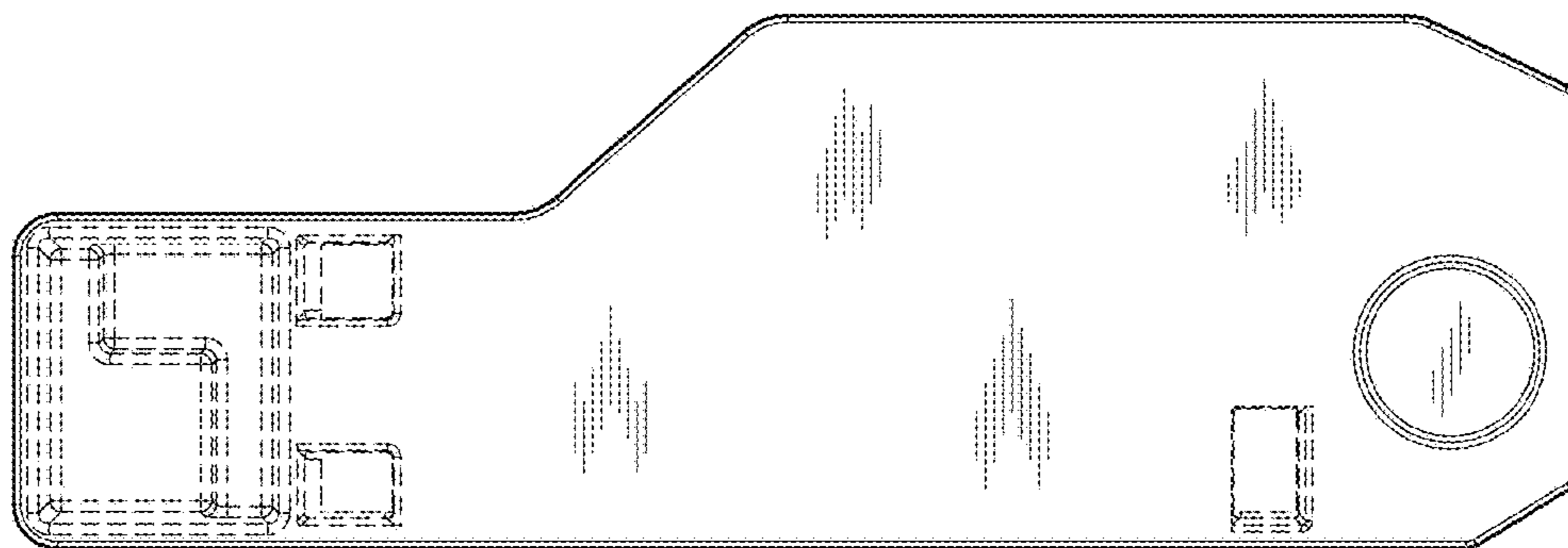


FIG. 3

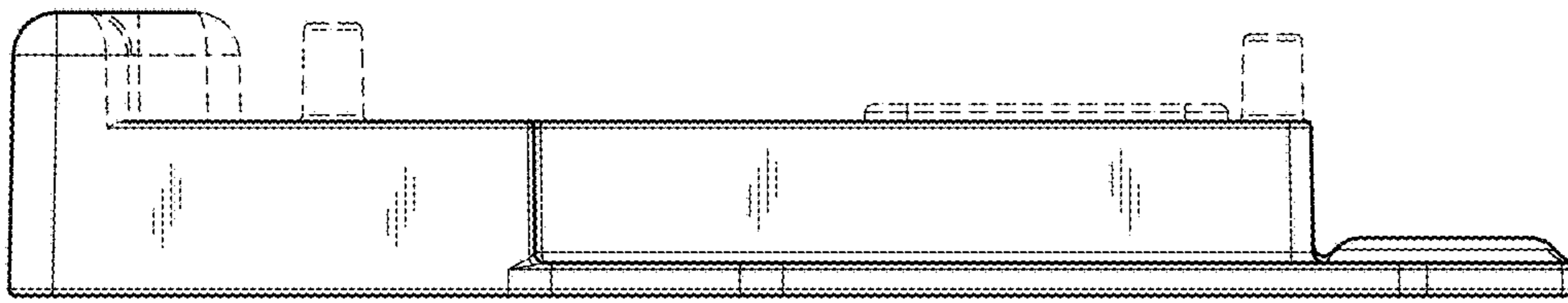


FIG. 4

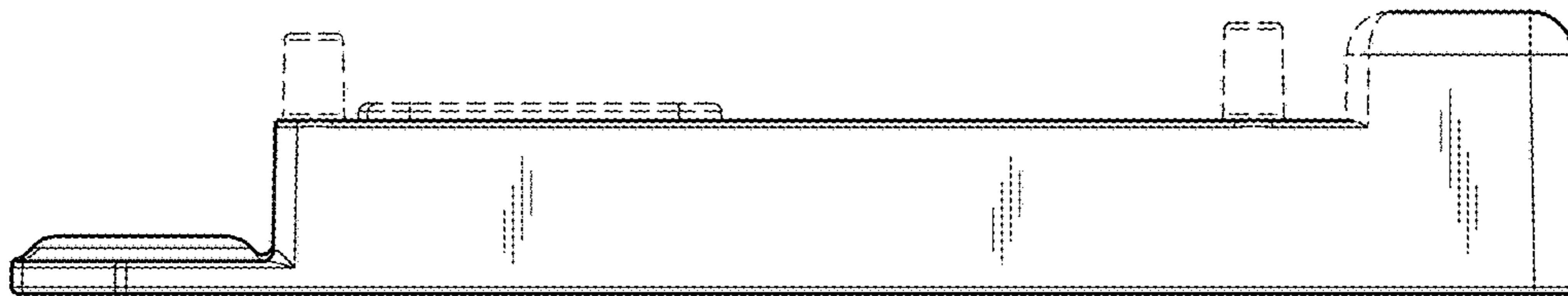


FIG. 5

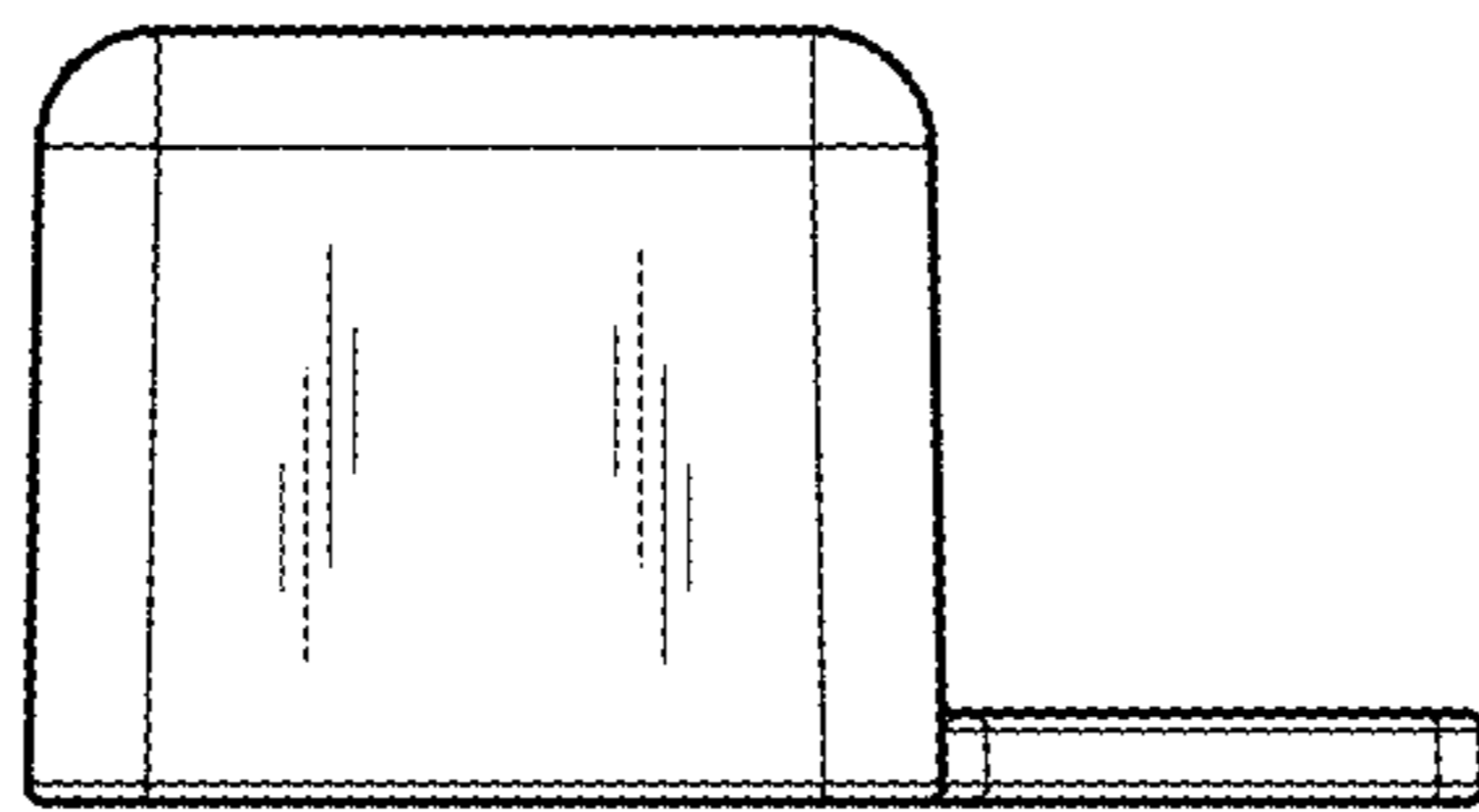


FIG. 6

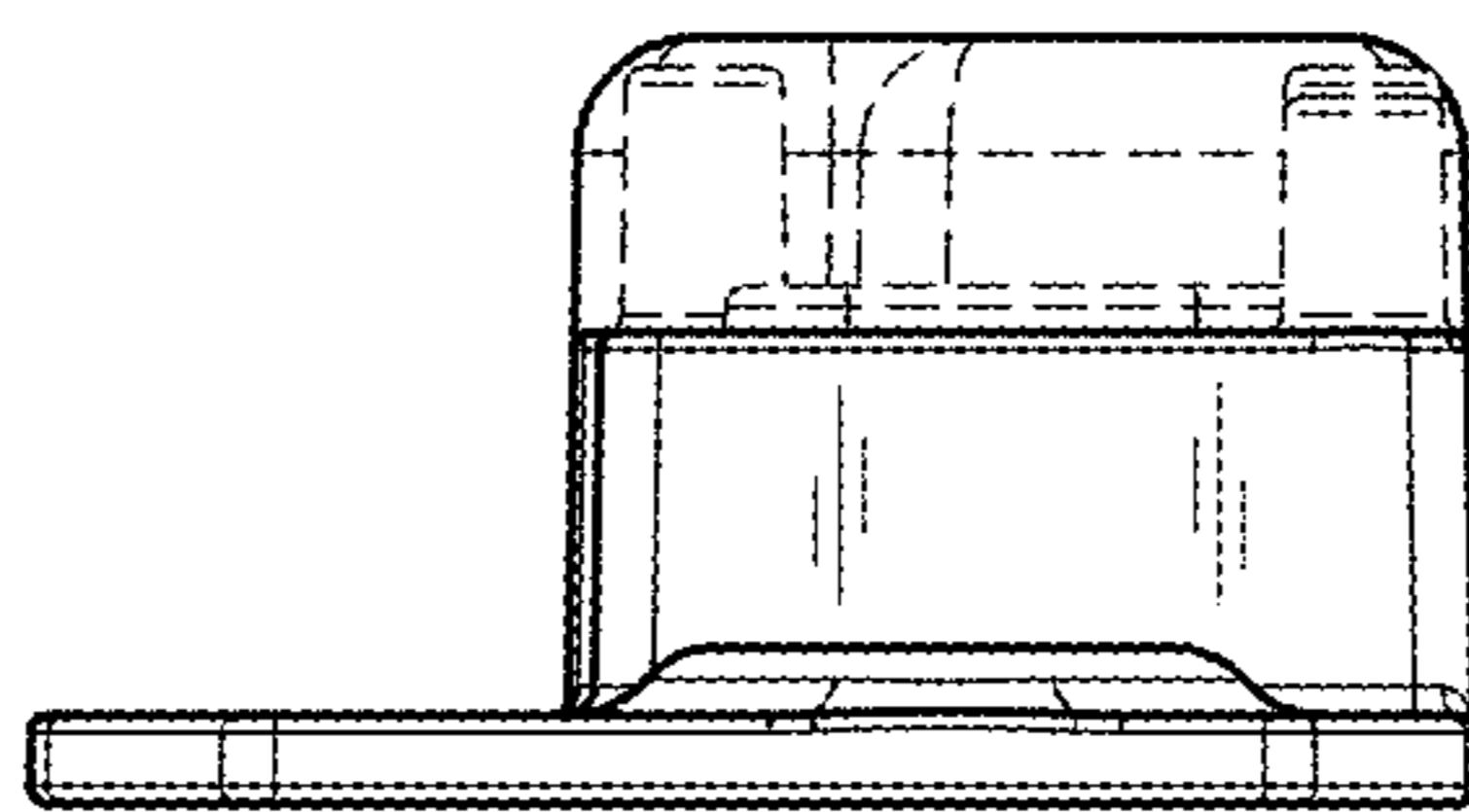


FIG. 7