



US00D800334S

(12) **United States Design Patent**
Kasuto et al.

(10) **Patent No.:** **US D800,334 S**
(45) **Date of Patent:** **** Oct. 17, 2017**

- (54) **CARRIER FOR CELL CULTURE**
- (71) Applicant: **Pluristem Ltd.**, Haifa (IL)
- (72) Inventors: **Harel Kasuto**, Kibbutz Yifat (IL);
Eytan Abraham, Frederick, MD (US)
- (73) Assignee: **Pluristem Ltd.**, Haifa, IL (US)
- (**) Term: **14 Years**
- (21) Appl. No.: **29/499,986**
- (22) Filed: **Aug. 20, 2014**
- (30) **Foreign Application Priority Data**
Mar. 2, 2014 (IL) 55314
- (51) **LOC (10) Cl.** **24-01**
- (52) **U.S. Cl.**
USPC **D24/224**
- (58) **Field of Classification Search**
USPC 424/93.7; D24/216, 222, 224-233;
D10/81; D21/707-708, 498, 801, 398,
D21/484, 488, 712, 443; D1/130, 103;
D30/160; D8/354; 435/29, 4, 1, 174,
435/325, 289.1, 305.1, 34, 383, 304.1, 30,
435/297.5, 288.4, 396; 422/69, 547-564,
422/400, 536, 211, 187; 473/612-613,
473/200; 446/120, 431; 206/438, 528;
73/864.91, 863.23; 436/165; 261/94,
261/97-98, DIG. 72; D23/209; 165/10;
128/134; 95/210; 428/11; 26/194;
210/150
CPC B65D 35/22; B65D 51/32; B01L 3/505;
B01L 3/508; B01L 3/5082; B01L 9/06;
B01L 3/545; C12M 23/08; C12M 23/00;
C12M 25/02; C12M 25/04; C12M 23/38;
G01N 35/1002; G01N 33/528; G01N
1/08; A61B 17/00491; A61B 10/0038;
A61B 10/0096; A61B 10/0045; A61M

5/19; A61M 3/0279; A63H 33/062; A63B
39/00; A63B 43/002; A63F 7/40
See application file for complete search history.

(56) **References Cited**

U.S. PATENT DOCUMENTS

D88,232 S *	11/1932	Kobak	D1/103
3,752,453 A *	8/1973	Doyne	B01J 19/30 261/94
D232,174 S *	7/1974	Borde	D23/209
D232,236 S *	7/1974	Borde	D23/209
D232,237 S *	7/1974	Borde	D23/209
D232,238 S *	7/1974	Borde	D23/209
4,006,908 A *	2/1977	Minami	A63B 39/00 473/200
4,072,736 A *	2/1978	Fattinger	B01J 19/30 261/97
4,203,935 A *	5/1980	Hackenjoss	B01J 19/30 261/98
4,302,900 A *	12/1981	Rayner	A63H 33/062 446/120

(Continued)

Primary Examiner — Ian Simmons
Assistant Examiner — Mark Cavanna
(74) *Attorney, Agent, or Firm* — Sullivan & Worcester
LLP

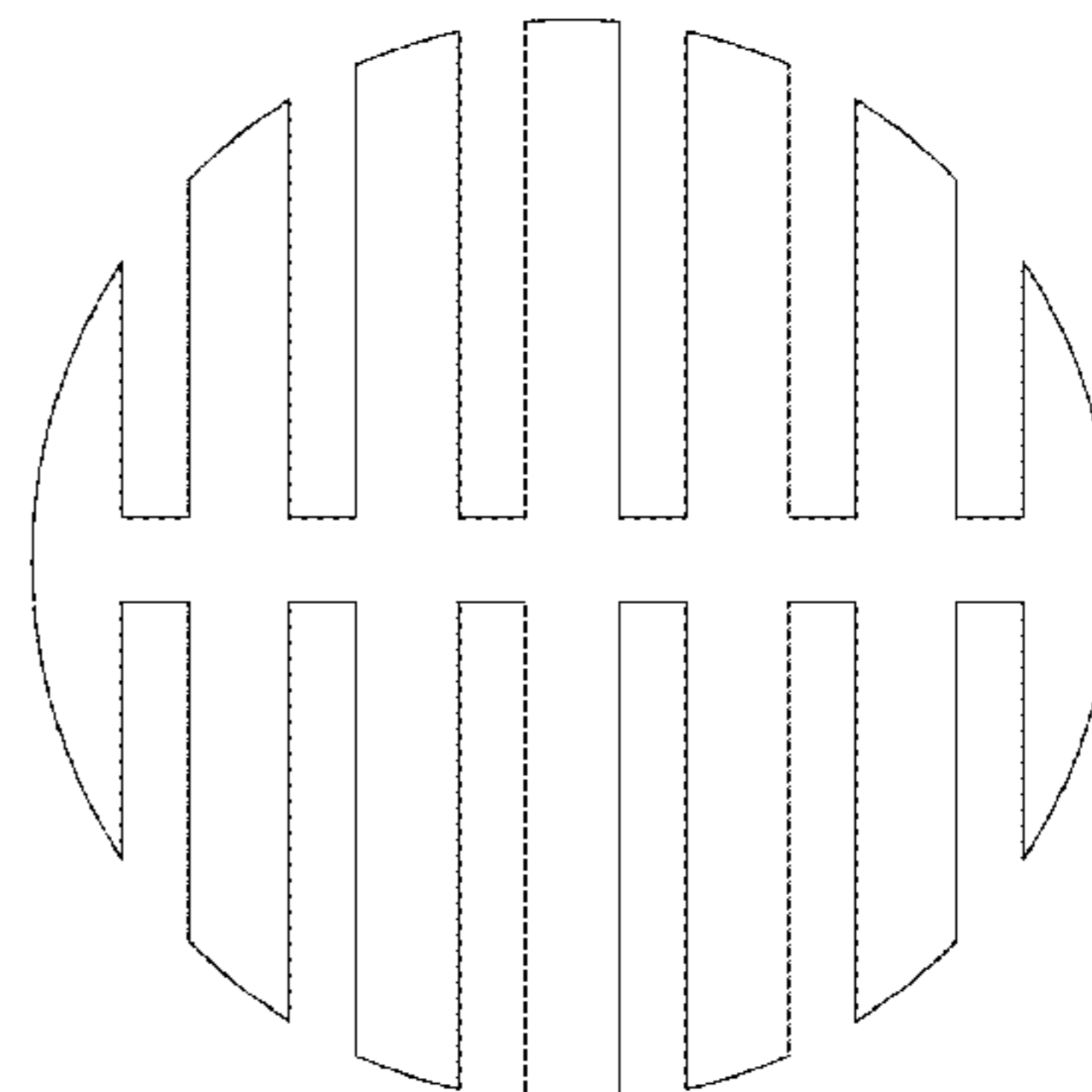
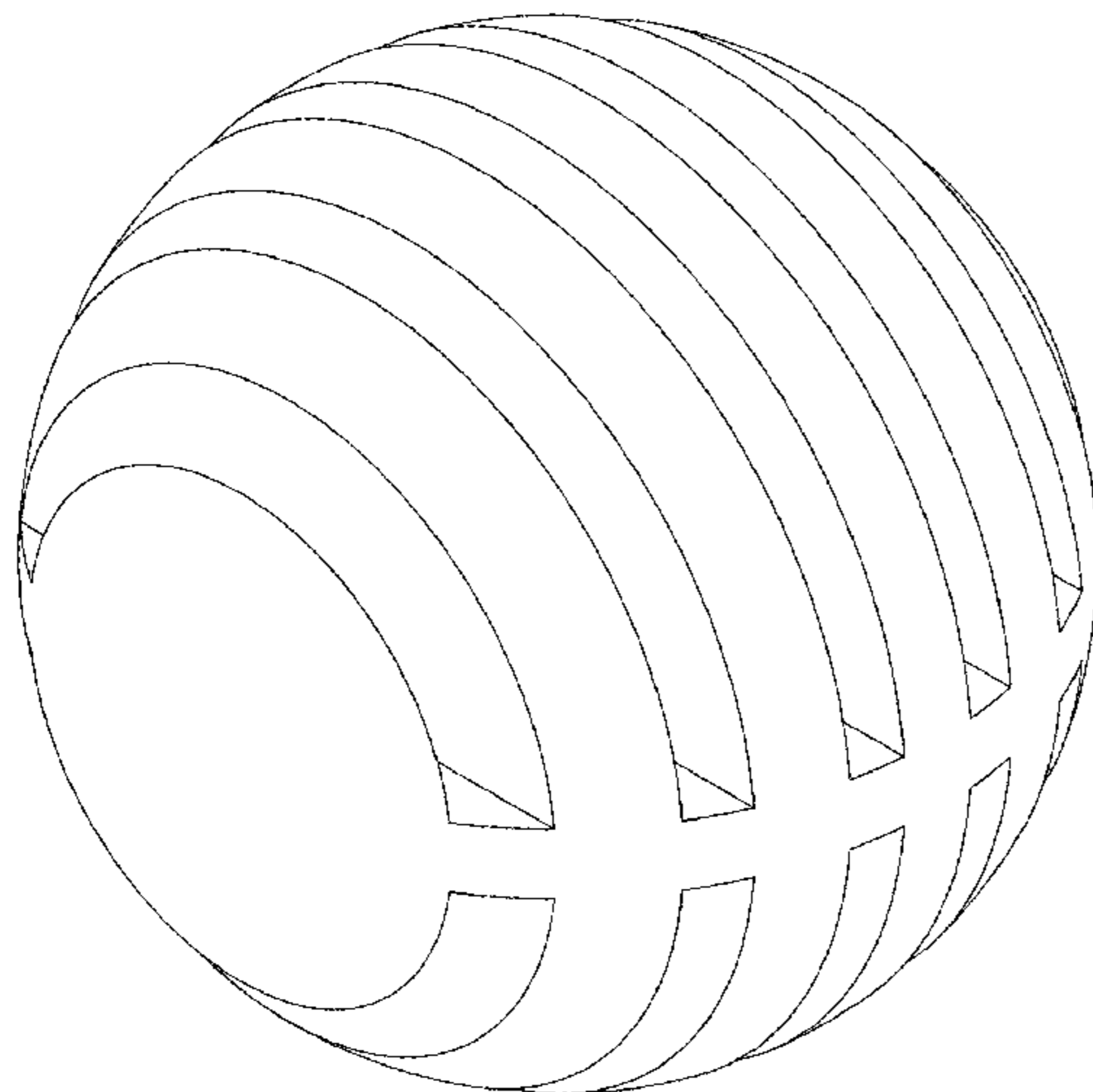
(57) **CLAIM**

We claim the ornamental design for a carrier for cell culture,
as shown and described.

DESCRIPTION

FIG. 1 is a perspective view of a carrier for cell culture
according to our new design.
FIG. 2 is a front view thereof;
FIG. 3 is a rear view thereof;
FIG. 4 is a left side view thereof;
FIG. 5 is a right side view thereof;
FIG. 6 is top view thereof; and,
FIG. 7 is bottom view thereof.

1 Claim, 4 Drawing Sheets



(56)

References Cited

U.S. PATENT DOCUMENTS

4,361,182 A * 11/1982 Michalak B01J 19/30
165/10
4,486,481 A * 12/1984 Heitkamp B01J 19/30
428/134
4,544,380 A * 10/1985 Itou B01J 19/30
95/210
4,581,299 A * 4/1986 Jager B01J 19/30
428/11
4,668,442 A * 5/1987 Lang B01J 19/30
261/94
4,724,593 A * 2/1988 Lang B01J 19/30
261/94
D301,737 S * 6/1989 Powers D24/224
4,842,920 A * 6/1989 Banai B01J 19/30
261/94
D303,428 S * 9/1989 Wada D24/224
5,139,951 A * 8/1992 Butz C12M 23/00
422/552
D331,793 S * 12/1992 Erwes D23/209
5,262,012 A * 11/1993 Smith, Jr. B01J 19/30
422/211
5,275,790 A * 1/1994 Buchholz B01J 19/30
422/211
D354,544 S * 1/1995 Erwes D23/207
D354,995 S * 1/1995 Barzani D21/498
D357,715 S * 4/1995 Barzani D21/498
D360,698 S * 7/1995 Stevens D24/224
5,468,638 A * 11/1995 Barker C12M 25/04
435/305.1
D367,504 S * 2/1996 Barzani D21/498
5,690,819 A * 11/1997 Chianh A01K 63/045
261/94
5,800,244 A * 9/1998 Barton, Jr. A63F 7/40
446/431
D400,620 S * 11/1998 Barton, Jr. D21/398
D404,497 S * 1/1999 Lahm D24/224
D411,269 S * 6/1999 Albarelli, Jr. D21/712

D418,880 S * 1/2000 Albarelli, Jr. D21/443
6,220,980 B1 * 4/2001 Adler A63B 43/002
473/612
D467,287 S * 12/2002 Manville D21/498
D469,824 S * 2/2003 Manville D21/498
D473,318 S * 4/2003 Barbera-Guillem D24/225
6,631,890 B1 * 10/2003 Lau B01J 19/30
261/94
7,490,816 B2 * 2/2009 Kavolik, Jr. B01J 19/30
261/94
D638,136 S * 5/2011 Parunak D24/224
D658,243 S * 4/2012 Saber D21/707
D686,337 S * 7/2013 Tarunina D24/224
8,507,261 B2 * 8/2013 Ogihara C12M 23/38
435/288.4
D690,828 S * 10/2013 Yoon D24/224
D692,578 S * 10/2013 Kikuhara D24/216
D698,940 S * 2/2014 Pribenszky D24/224
D700,354 S * 2/2014 Plougsgaard C12M 23/12
D24/224
D700,711 S * 3/2014 Kikuhara D24/216
8,721,888 B2 * 5/2014 Lee C02F 3/109
210/150
D706,875 S * 6/2014 Saber D21/398
8,747,532 B2 * 6/2014 Chang B01J 19/30
261/DIG. 72
D728,123 S * 4/2015 Cullimore D24/224
D767,160 S * 9/2016 Schimmel D24/226
D767,161 S * 9/2016 Schimmel D24/226
D767,162 S * 9/2016 Schimmel D24/226
D767,163 S * 9/2016 Schimmel D24/226
D767,164 S * 9/2016 Schimmel D24/226
9,452,412 B2 * 9/2016 Ausner B01J 19/30
D769,377 S * 10/2016 Wolff D21/398
2004/0161855 A1 * 8/2004 Kvasnik B01L 3/545
436/165
2011/0201856 A1 * 8/2011 Cottard B01J 19/30
422/187
2012/0040455 A1 * 2/2012 Dorge B01J 19/30
435/396

* cited by examiner

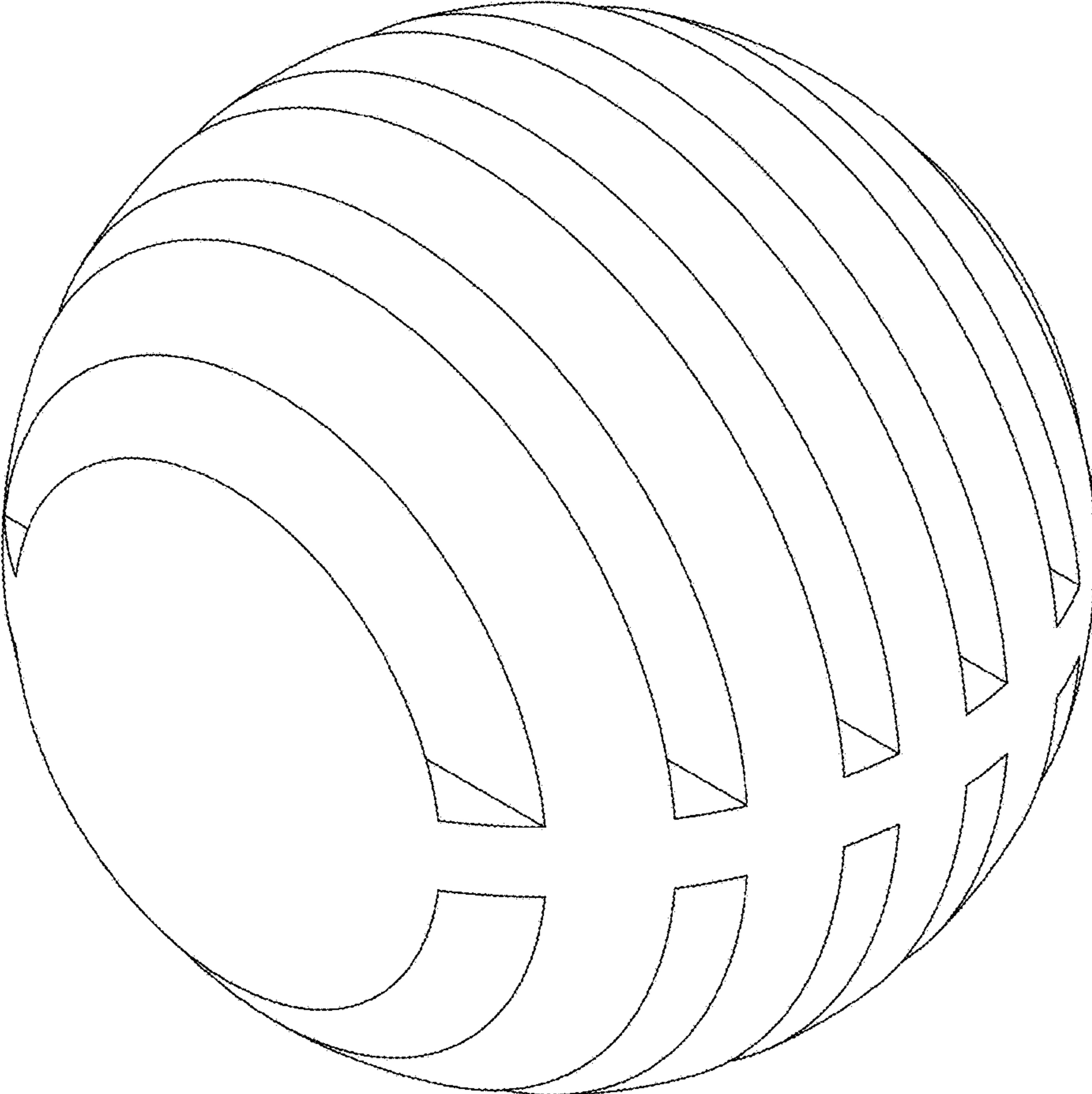


FIG.1

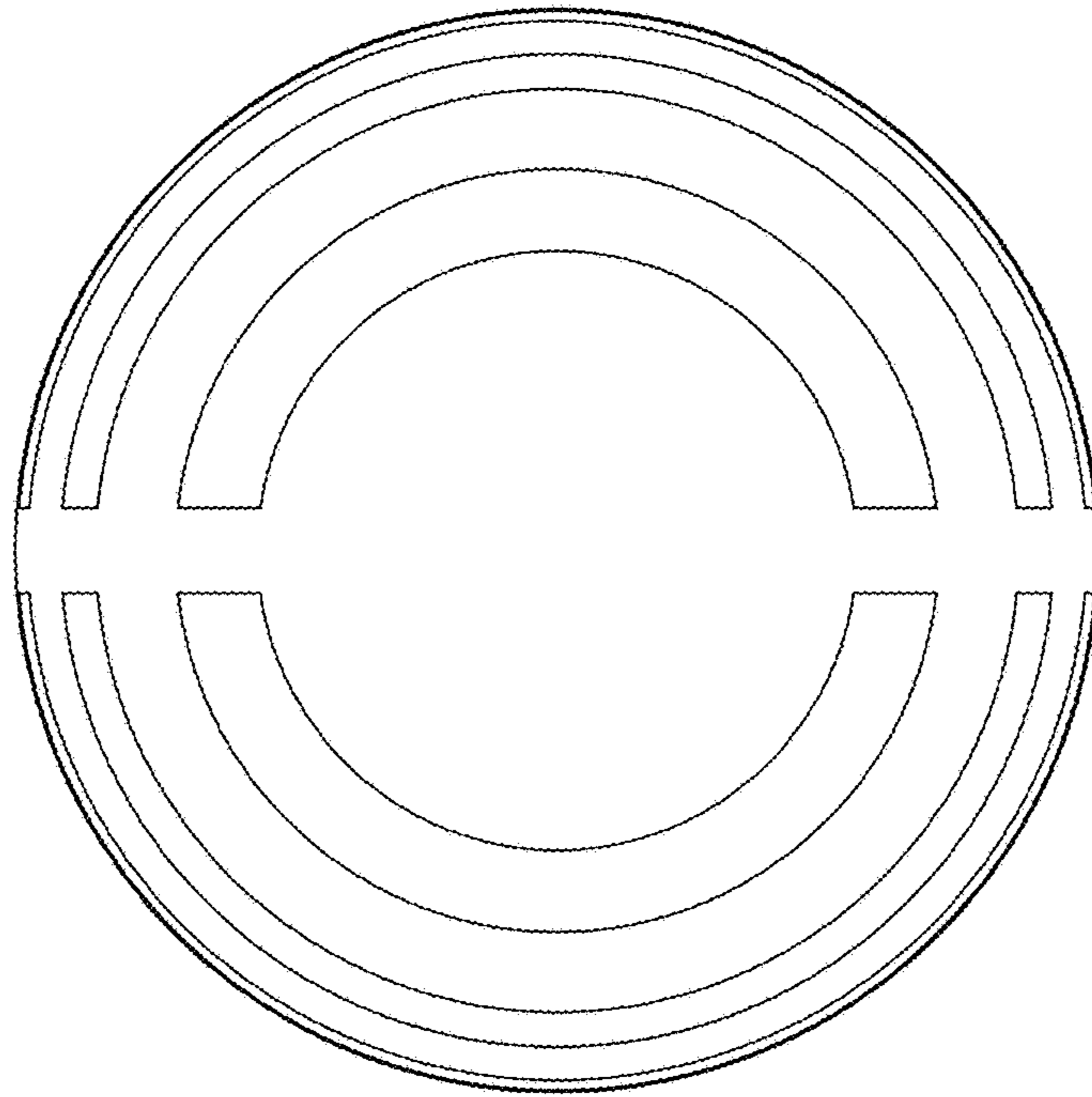


FIG. 2

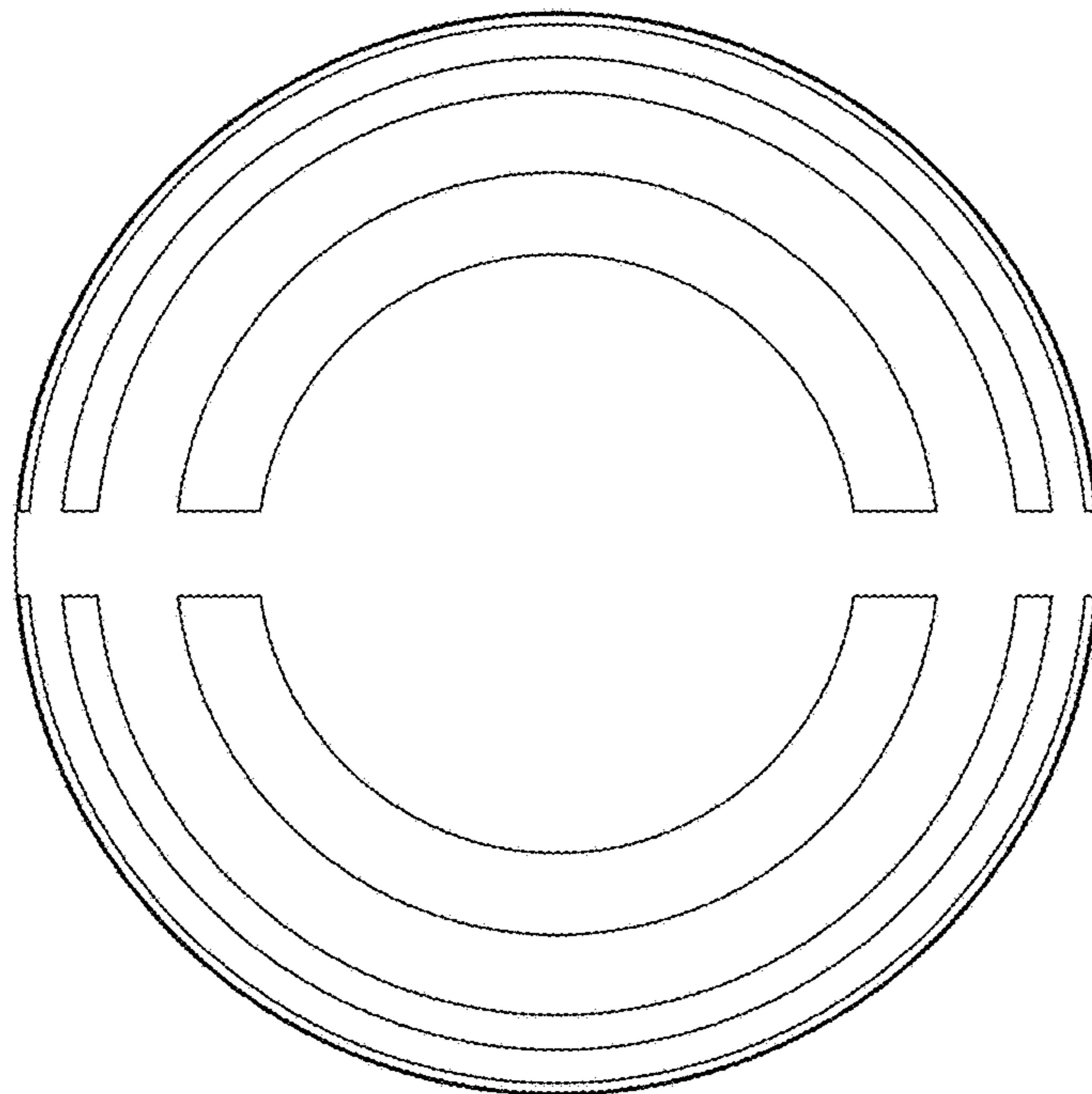


FIG. 3

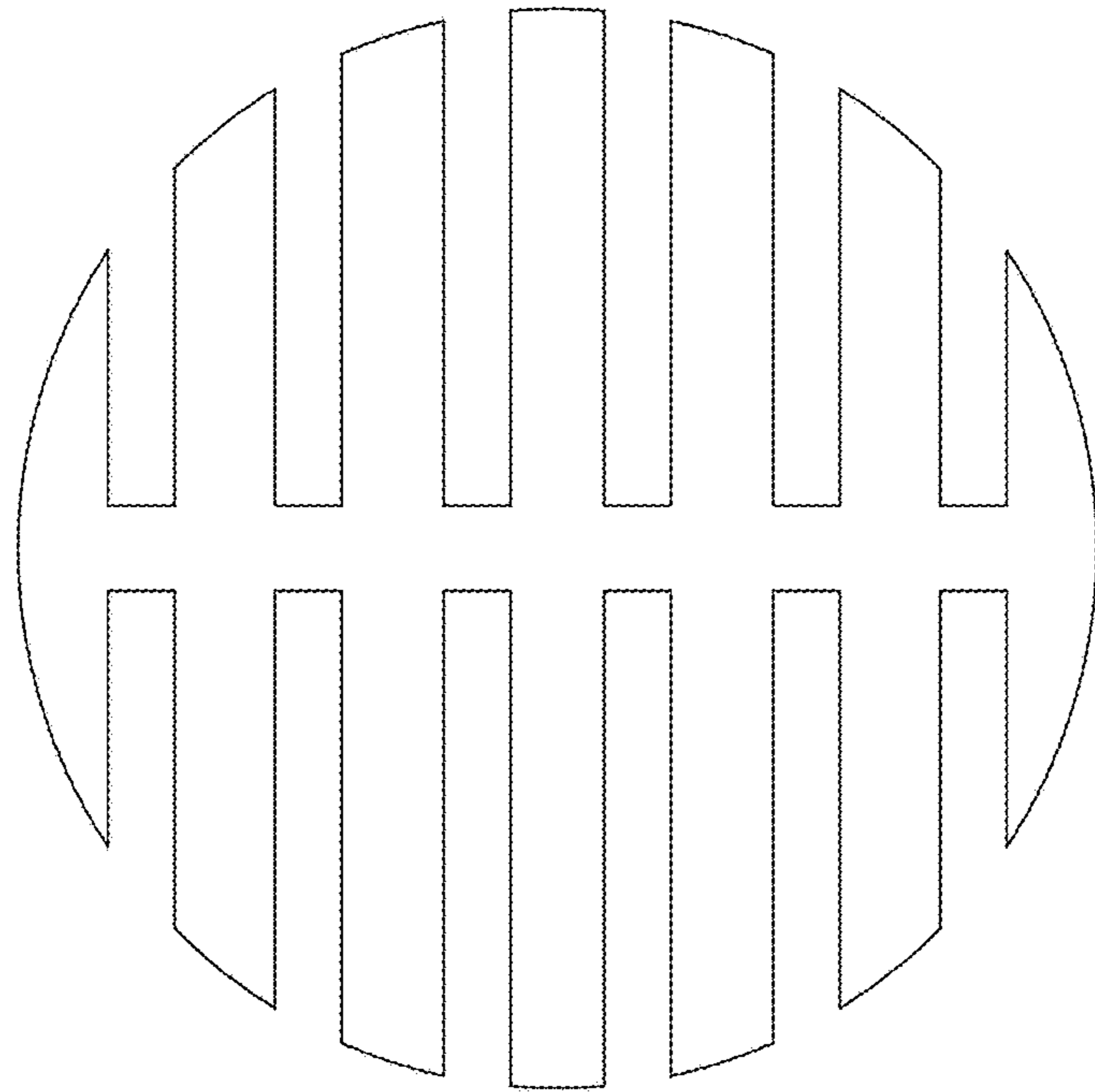


FIG. 4

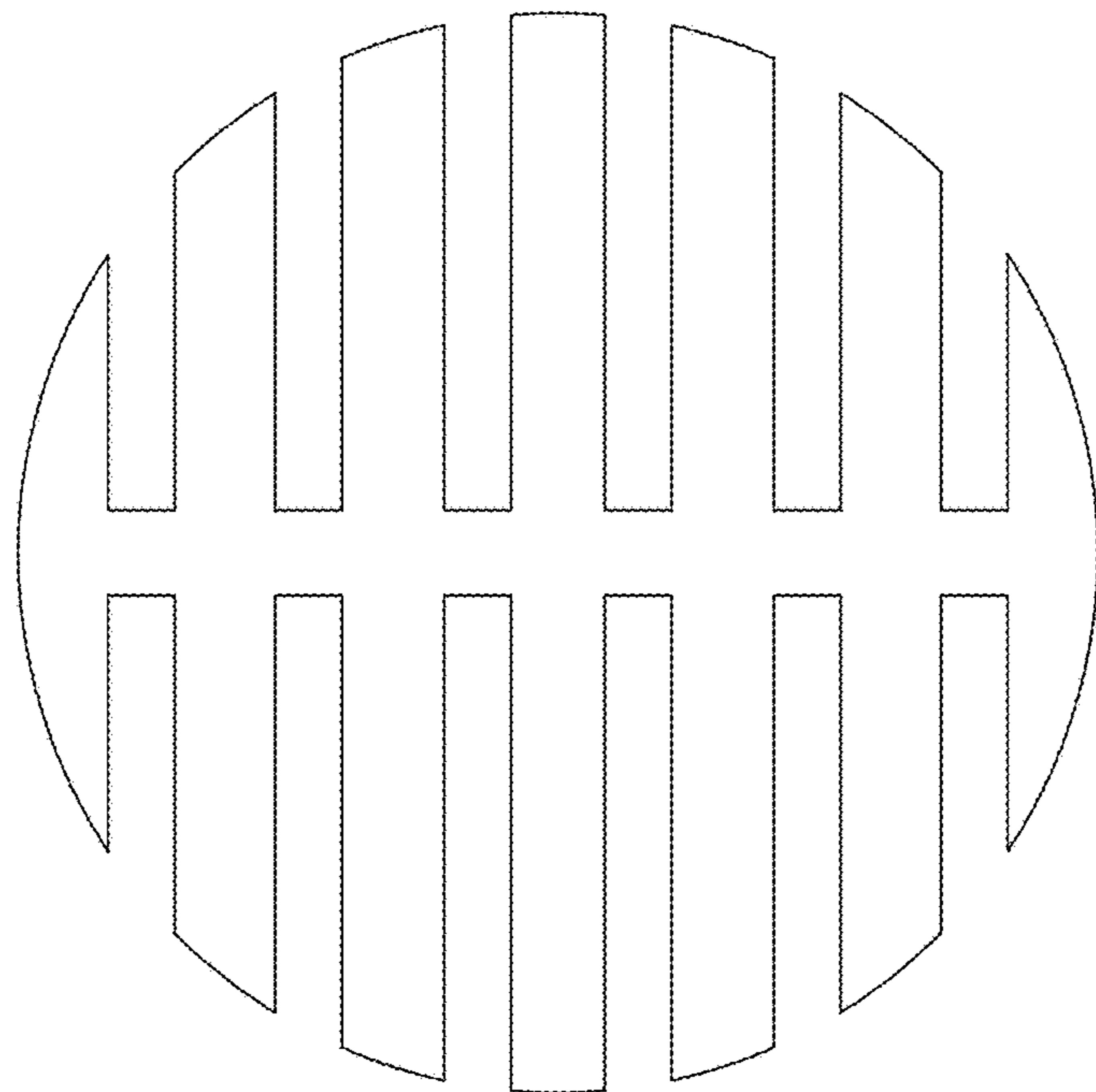


FIG. 5

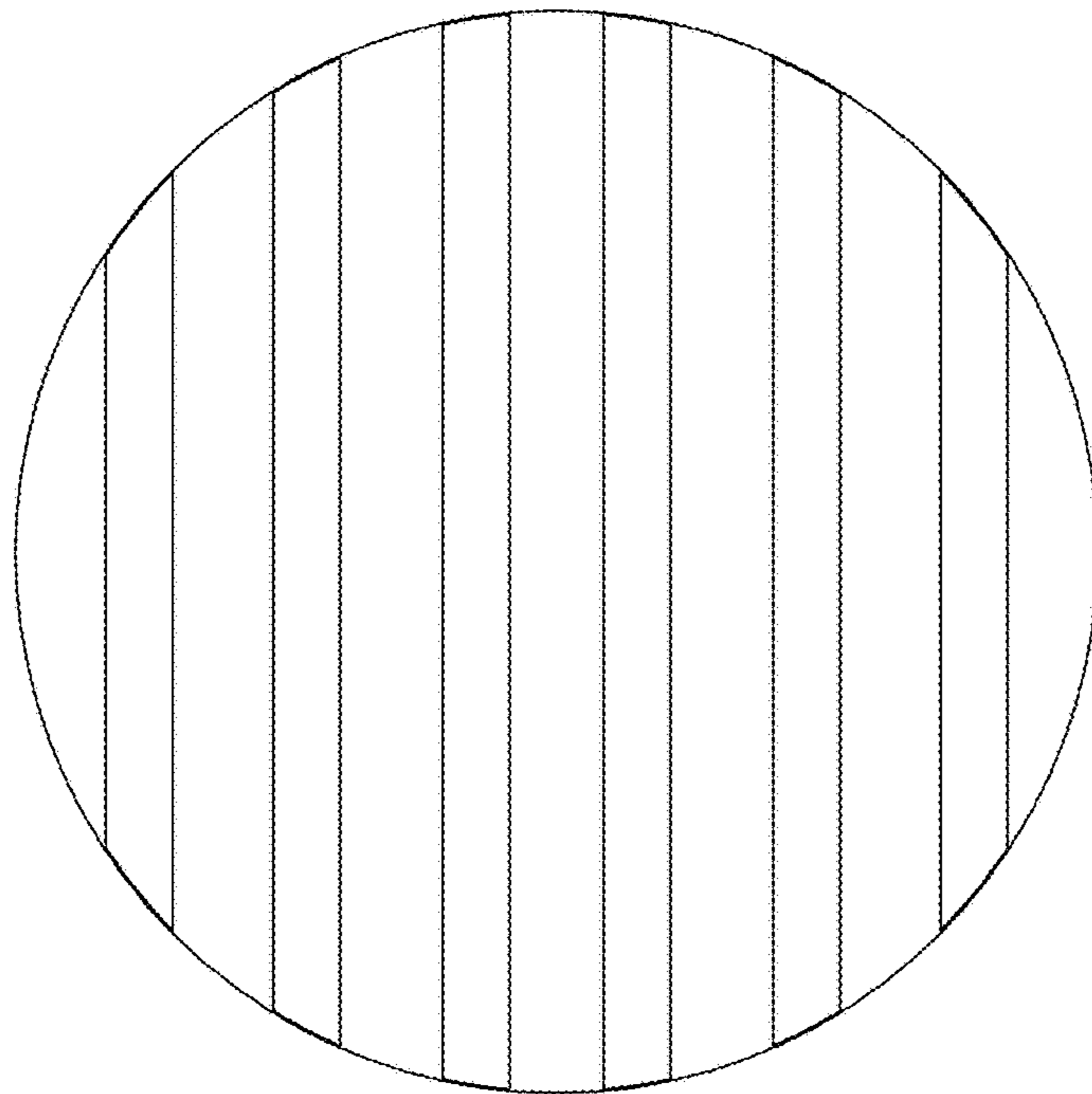


FIG. 6

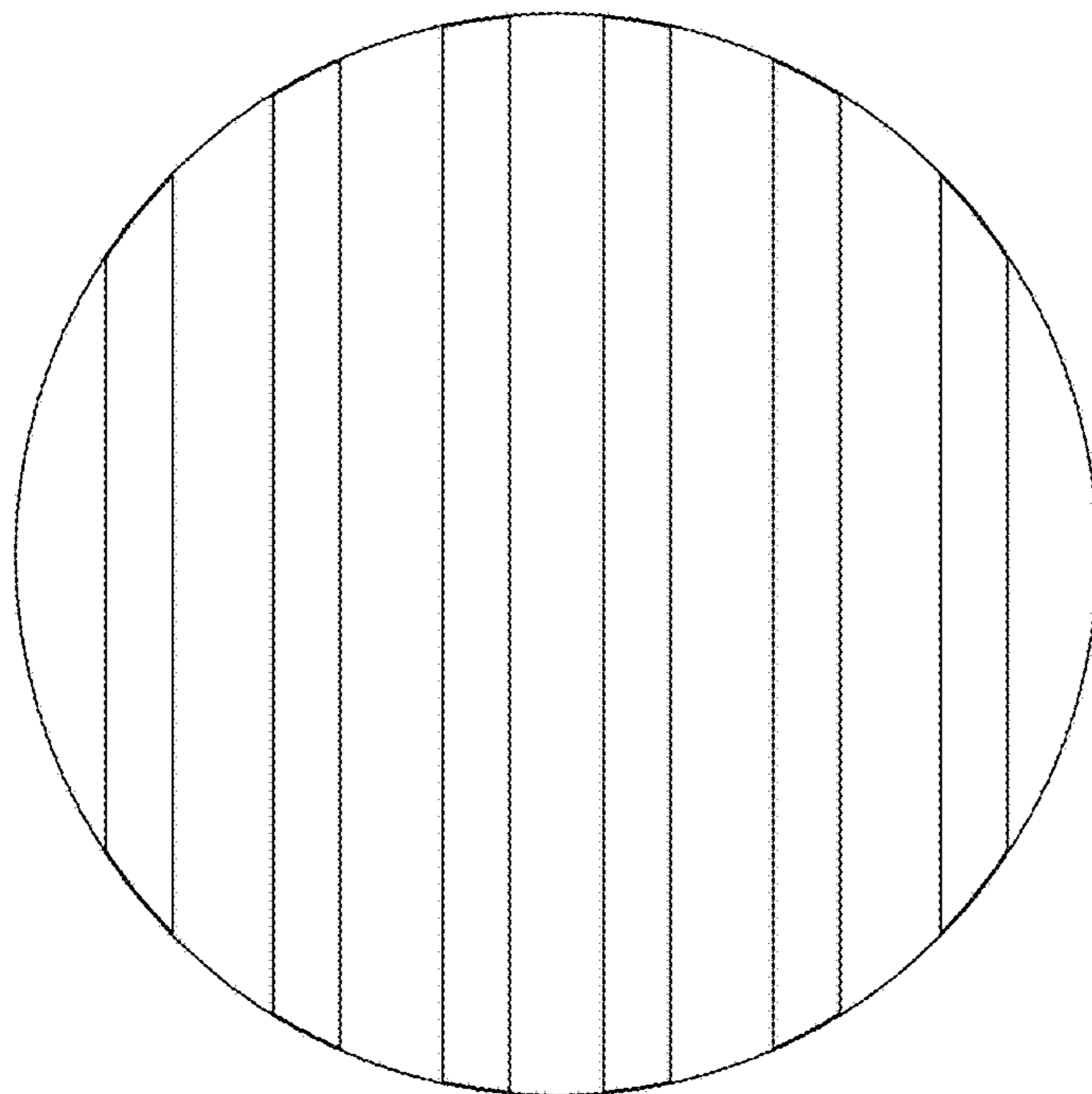


FIG. 7