



US00D800329S

(12) **United States Design Patent** (10) **Patent No.:** **US D800,329 S**
Cheng (45) **Date of Patent:** **** Oct. 17, 2017**

(54) **MESSAGE ROLLER**
(71) Applicant: **SHANQ DIH CO., LTD.**, Tainan (TW)
(72) Inventor: **Cheng-Kuo Cheng**, Tainan (TW)
(73) Assignee: **Shanq Dih Co., Ltd.**, Tainan (TW)
(**) Term: **15 Years**
(21) Appl. No.: **29/549,003**
(22) Filed: **Dec. 18, 2015**
(51) **LOC (10) Cl.** **28-03**
(52) **U.S. Cl.**
USPC **D24/211**
(58) **Field of Classification Search**
USPC D24/200, 211, 212, 213, 214, 215;
601/19, 27-32, 46-48, 52, 99, 112-113,
601/118, 135, 137, DIG. 12, DIG. 14,
601/DIG. 15, DIG. 16, DIG. 17;
D30/160; D14/218, 138 AA
CPC A61H 19/00; A61H 19/30; A61H 19/32;
A61H 19/34; A61H 19/40; A61H 19/44;
A61H 19/50; A61H 2015/0007; A61H
2015/0014; A61H 2015/0042; A61H
15/00; A61H 7/003; A61H 7/005
See application file for complete search history.

4,648,387 A * 3/1987 Simmons A61H 15/0092
482/79
D333,871 S * 3/1993 Grenko D24/211
D352,786 S * 11/1994 Hwang D24/211
D357,952 S * 5/1995 Chen D21/684
5,830,161 A * 11/1998 Cosmano A61H 15/00
601/118
7,223,251 B1 * 5/2007 Cassidy Phillips
A61H 15/0092
601/118
D568,487 S * 5/2008 Hsu D24/214
D687,159 S * 7/2013 Cho D24/215
D688,384 S * 8/2013 Ateya Soliman D24/215
D738,519 S * 9/2015 Phillips D24/211
D747,112 S * 1/2016 Weidner D6/312
D751,724 S * 3/2016 Nelson D24/211
D777,340 S * 1/2017 Nelson D24/211

* cited by examiner

Primary Examiner — Sandra Snapp
(74) *Attorney, Agent, or Firm* — Rosenberg, Klein & Lee

(57) **CLAIM**

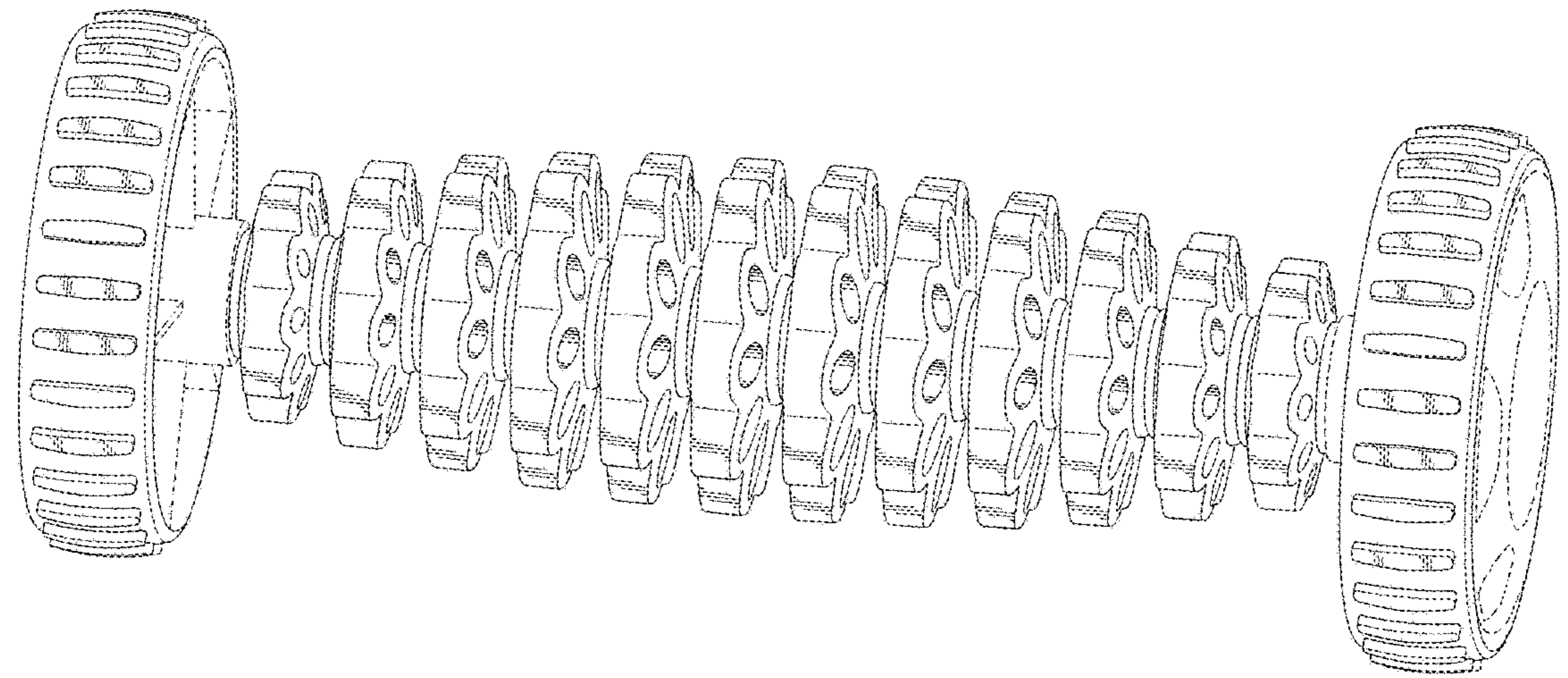
The ornamental design for a massage roller, as shown and described.

DESCRIPTION

FIG. 1 is a perspective view of a massage roller showing my new design;
FIG. 2 is a front elevation view thereof;
FIG. 3 is a rear elevation view thereof;
FIG. 4 is a top plan view thereof;
FIG. 5 is a bottom plan view thereof;
FIG. 6 is a left elevation view thereof; and,
FIG. 7 is a right elevation view thereof.
The broken lines depicting portions of the massage roller shown in the figures are for illustrative purposes only and form no part of the claimed design.

1 Claim, 7 Drawing Sheets

(56) **References Cited**
U.S. PATENT DOCUMENTS
2,578,916 A * 12/1951 Belleville A61H 15/00
492/33
D253,373 S * 11/1979 Celeste 601/121
D256,841 S * 9/1980 Corbett D24/211
4,378,007 A * 3/1983 Kachadourian A61H 15/00
482/79



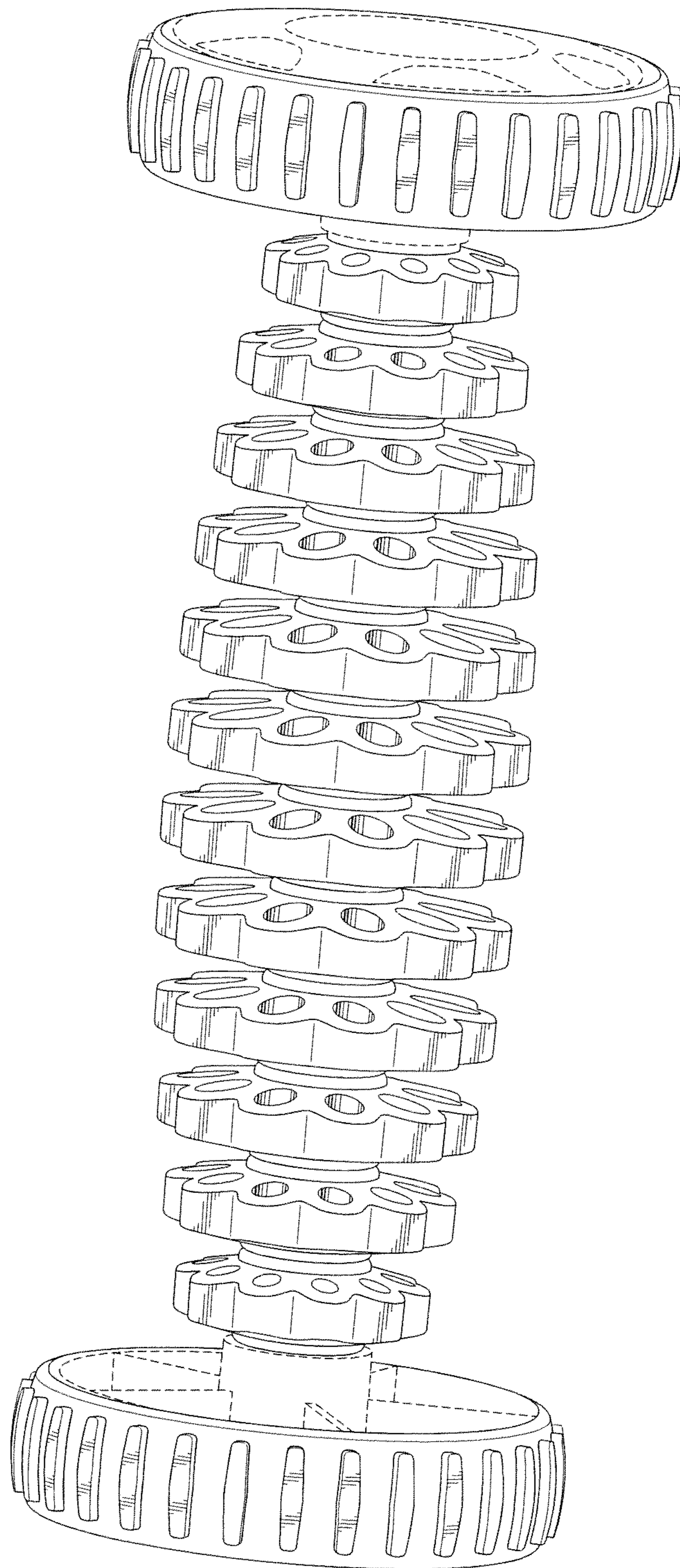


FIG. 1

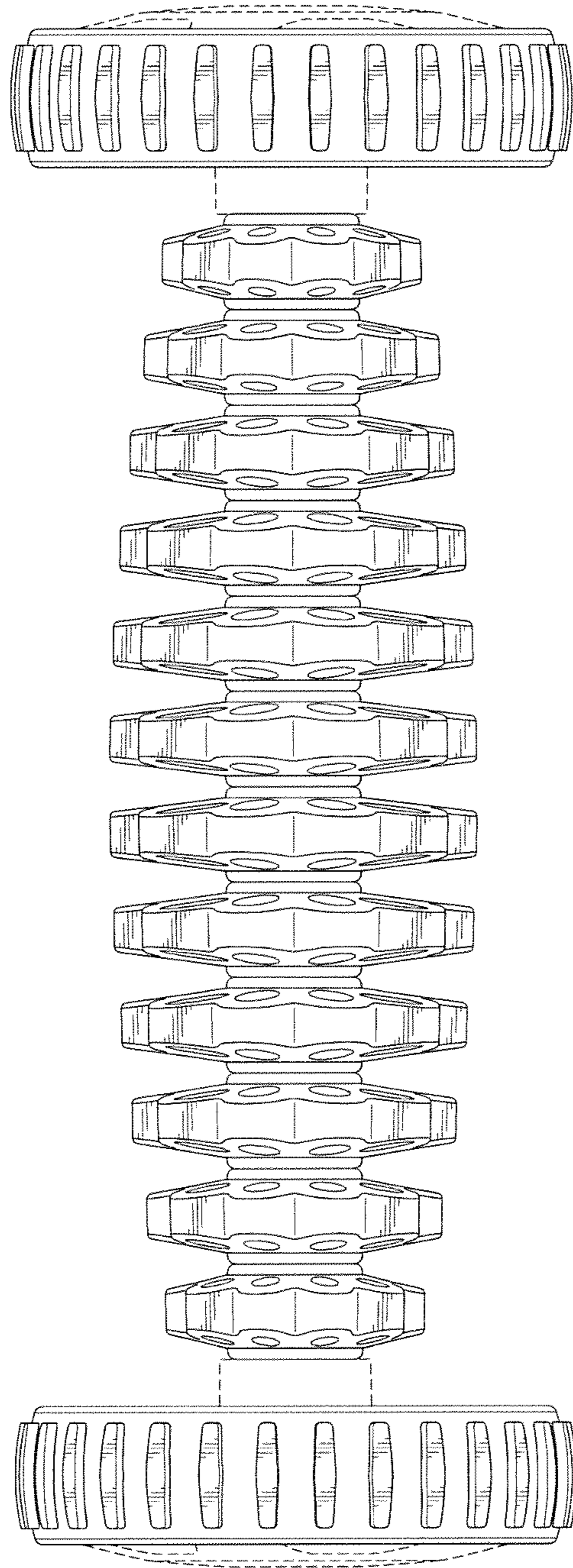


FIG. 2

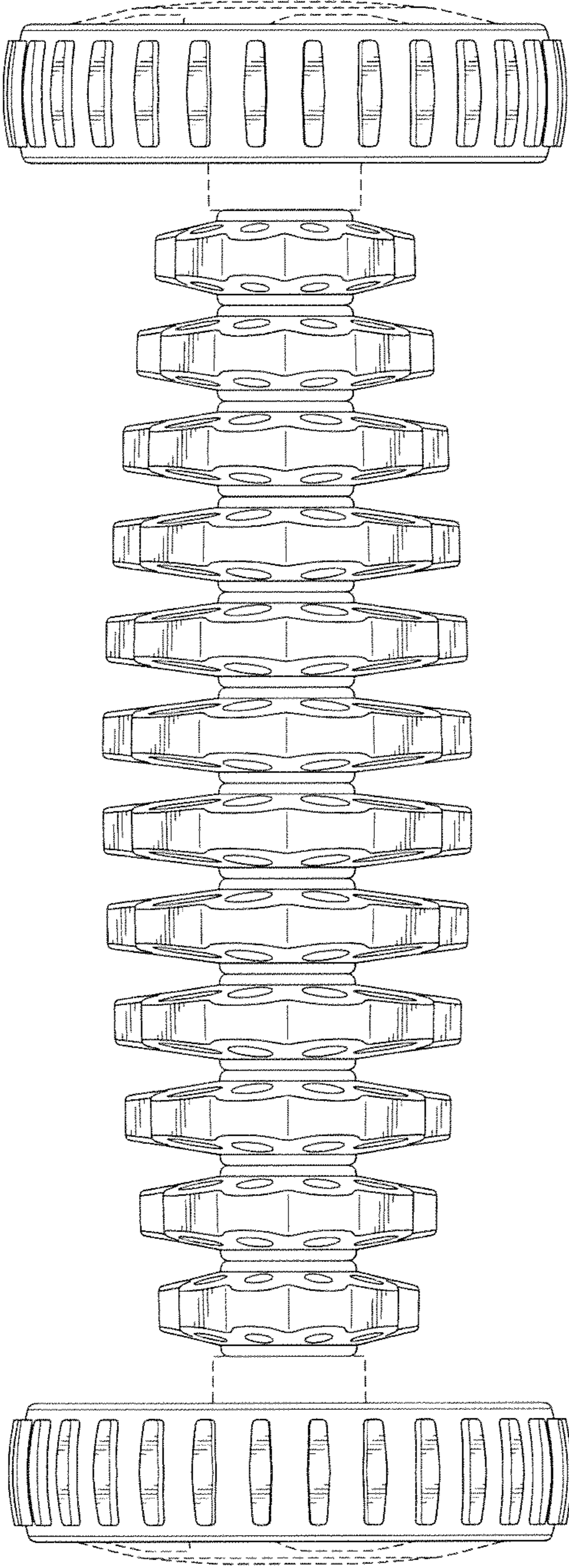


FIG. 3

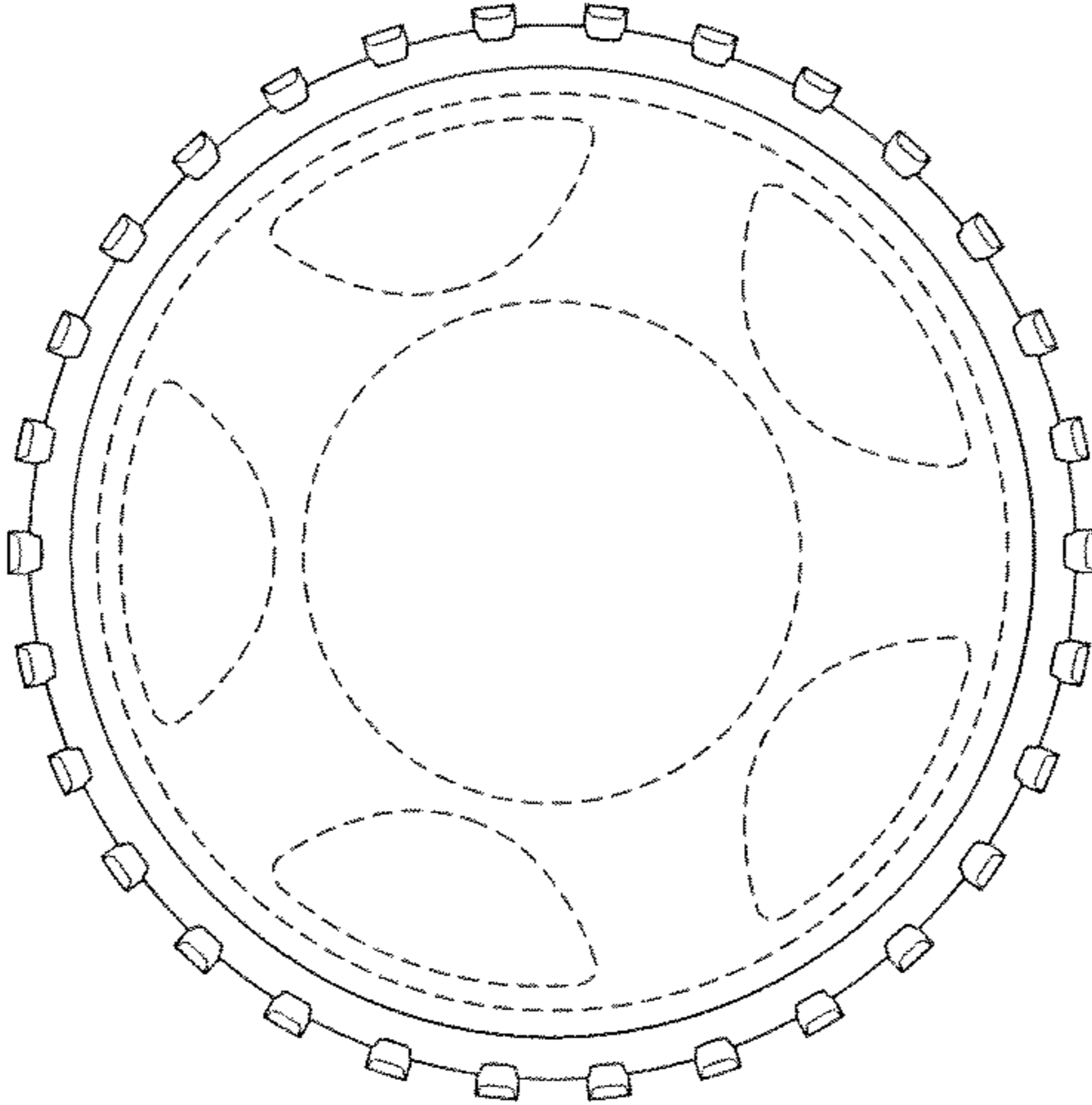


FIG. 4

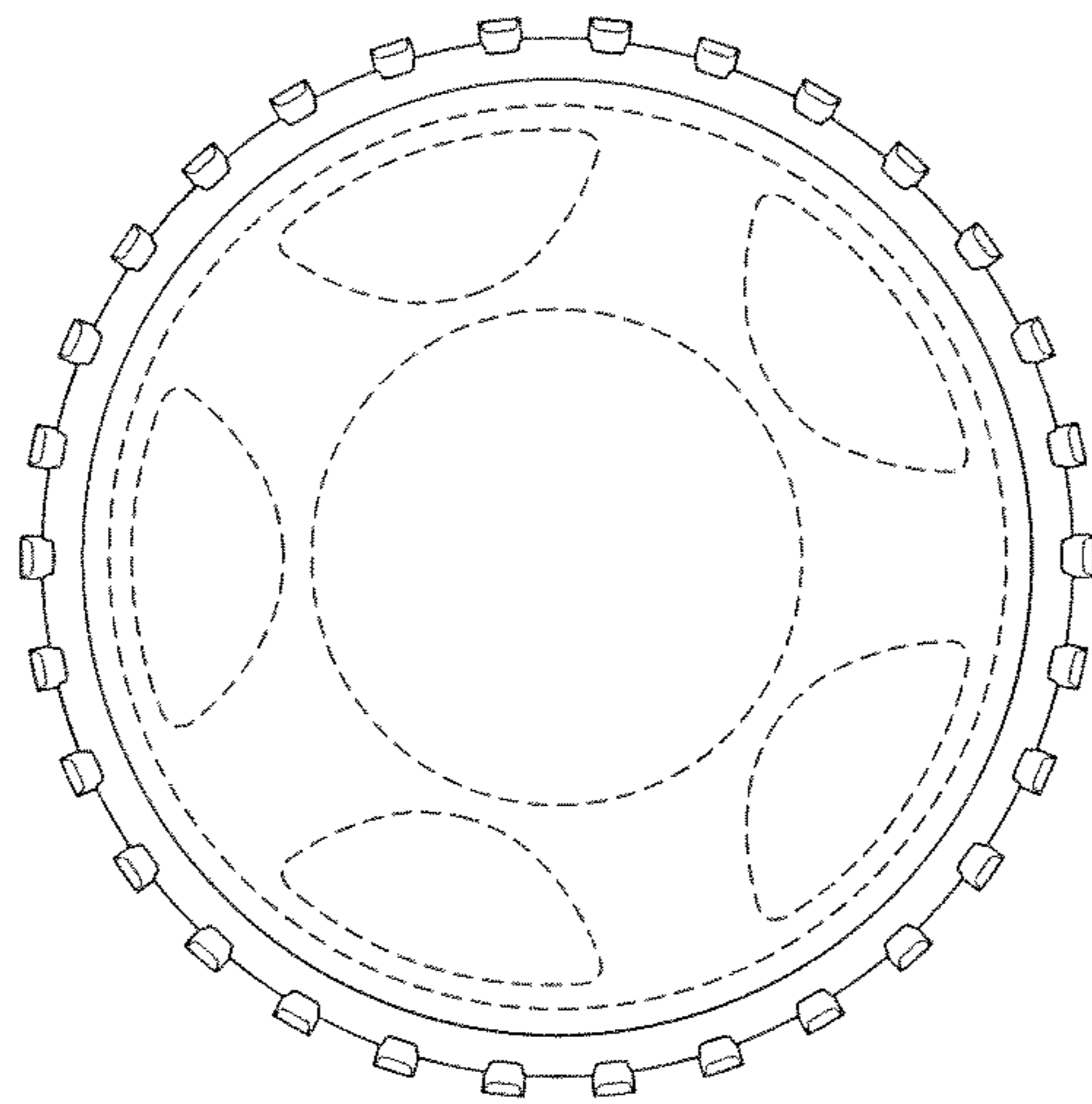


FIG. 5

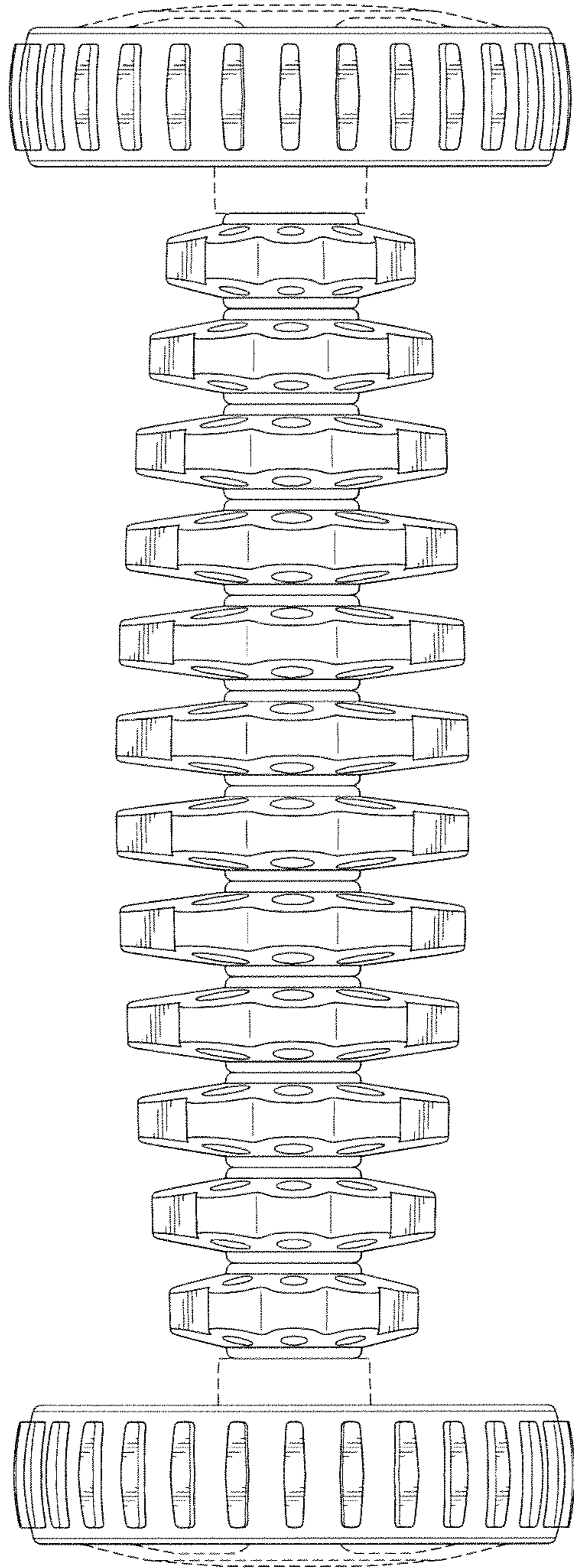


FIG. 6

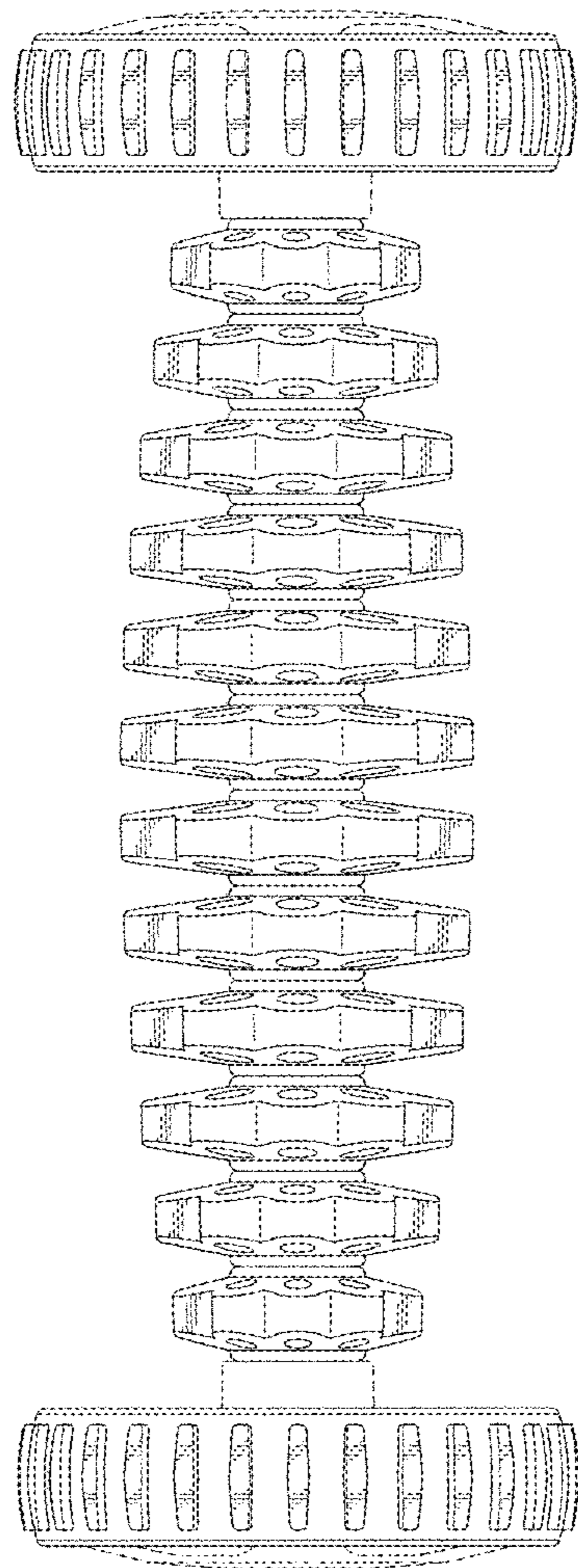


FIG. 7