



US00D800327S

(12) **United States Design Patent**  
**Dawson**

(10) **Patent No.:** **US D800,327 S**

(45) **Date of Patent:** **\*\* Oct. 17, 2017**

(54) **KNEE PAD**

(71) Applicant: **David A. Dawson**, Westminster, CO  
(US)

(72) Inventor: **David A. Dawson**, Westminster, CO  
(US)

(\*\*) Term: **15 Years**

(21) Appl. No.: **29/550,760**

(22) Filed: **Jan. 6, 2016**

(51) **LOC (10) Cl.** ..... **24-01**

(52) **U.S. Cl.**  
USPC ..... **D24/190**

(58) **Field of Classification Search**  
USPC ..... D24/189, 190, 145; D29/121.1  
CPC ..... A61F 13/0203; A61F 13/023; A61F  
13/0276; A61F 2013/00846; A61F  
13/0246; A61F 15/001; A61F  
2013/00604; A61F 13/022; A61F  
13/0259; A61L 15/58; A61L 15/26; A61H  
9/0078; A61H 2209/00; A61H 2205/106;  
A61H 2201/165; A61H 2201/1697; A61H  
2205/10; A61H 9/0092; A61H 2205/108;  
A61H 1/008

See application file for complete search history.

(56) **References Cited**

**U.S. PATENT DOCUMENTS**

5,139,476 A \* 8/1992 Peters ..... A61F 5/0106  
602/23  
D494,324 S \* 8/2004 Mundy ..... D29/121.1

D619,267 S \* 7/2010 Beckwith ..... D24/190  
D626,241 S \* 10/2010 Sagnip ..... D24/190  
D626,245 S \* 10/2010 Sagnip ..... D24/190  
D634,437 S \* 3/2011 Gramza ..... D24/190  
D717,453 S \* 11/2014 Mahtani ..... D24/190  
D731,069 S \* 6/2015 Bialek ..... D24/190  
D743,564 S \* 11/2015 Wathne ..... D24/189  
2010/0016771 A1 \* 1/2010 Arbesman ..... A61F 5/0106  
602/5  
2015/0257939 A1 \* 9/2015 Ficchi ..... A61F 13/068  
602/43

\* cited by examiner

*Primary Examiner* — George D Kirschbaum

*Assistant Examiner* — Jennifer Watkins

(74) *Attorney, Agent, or Firm* — Dinsmore & Shohl LLP

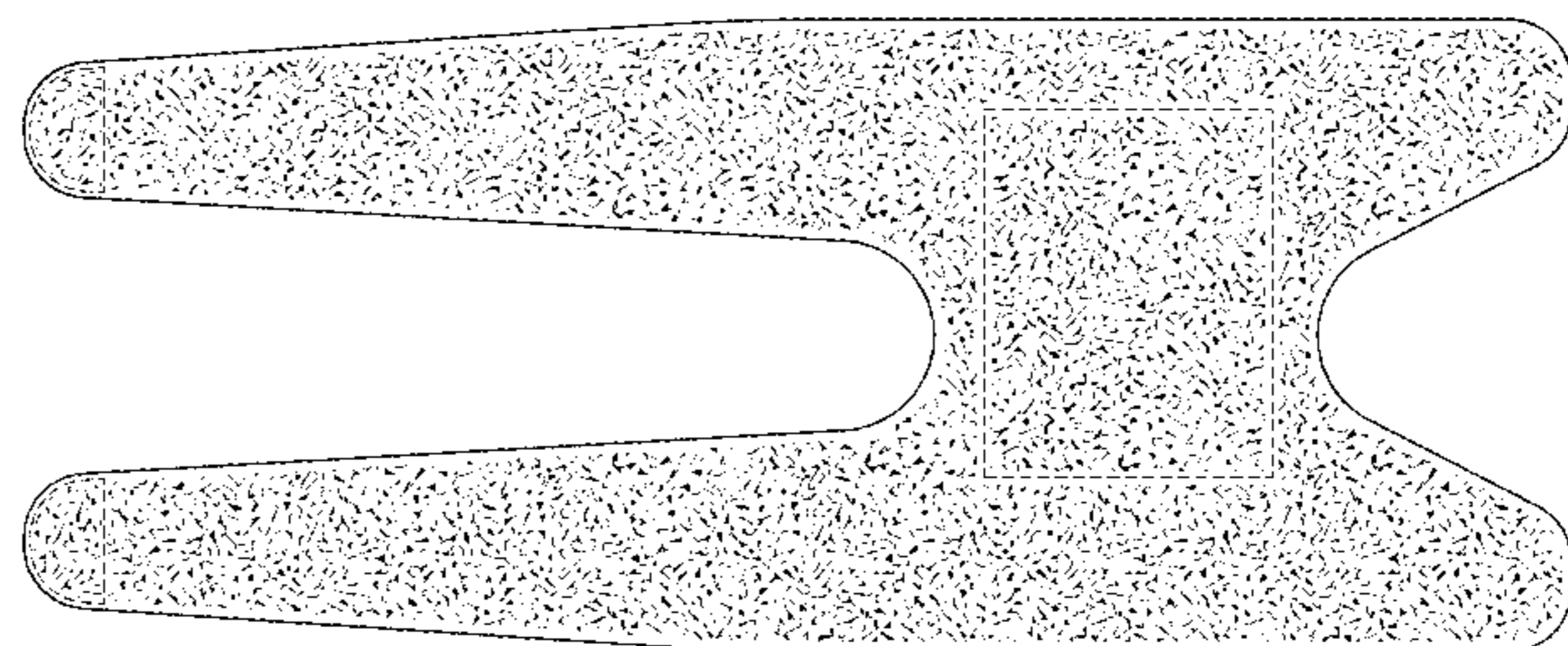
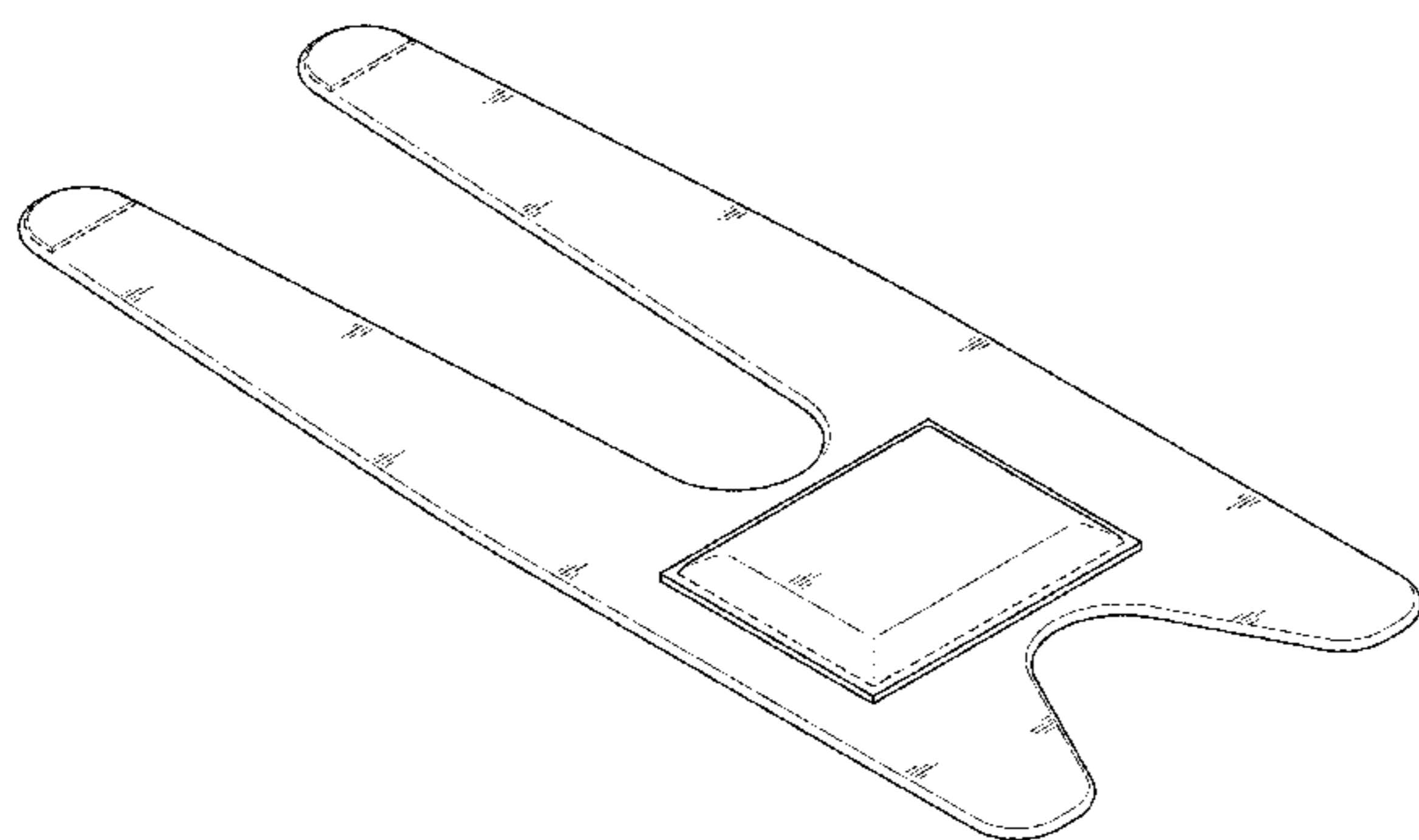
(57) **CLAIM**

I claim the ornamental design for a knee pad, substantially as shown and described.

**DESCRIPTION**

FIG. 1 is a top perspective view of a knee pad.  
FIG. 2 is a front elevation view of the knee pad of FIG. 1.  
FIG. 3 is a rear elevation view of the knee pad of FIG. 1.  
FIG. 4 is a left side elevation view of the knee pad of FIG. 1.  
FIG. 5 is a right side elevation view of the knee pad of FIG. 1.  
FIG. 6 is a top plan view of the knee pad of FIG. 1; and,  
FIG. 7 is a bottom plan view of the knee pad of FIG. 1.  
The broken lines in the drawings are for purposes of illustrating stitching and form no part of the claim.

**1 Claim, 3 Drawing Sheets**



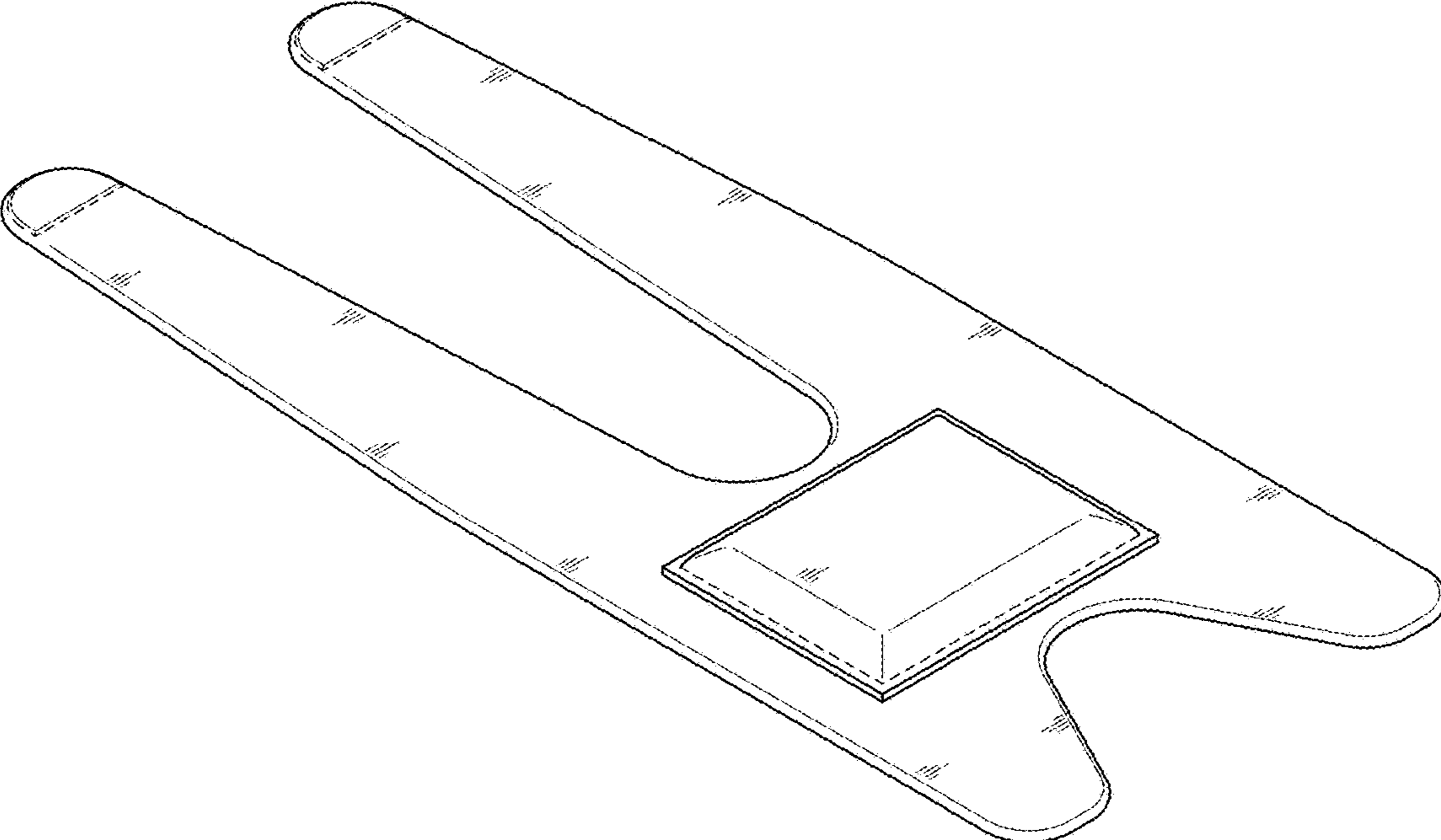


FIG. 1



FIG. 2



FIG. 3



FIG. 4

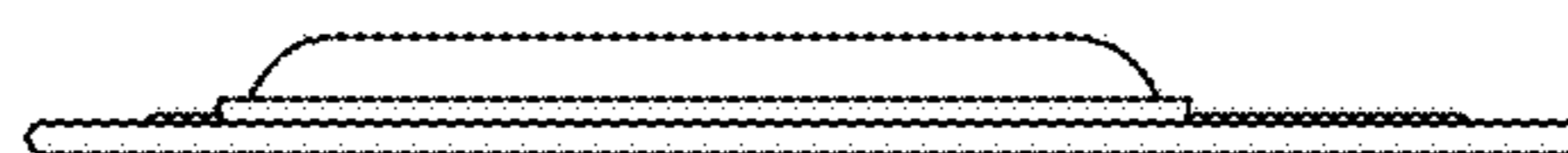


FIG. 5

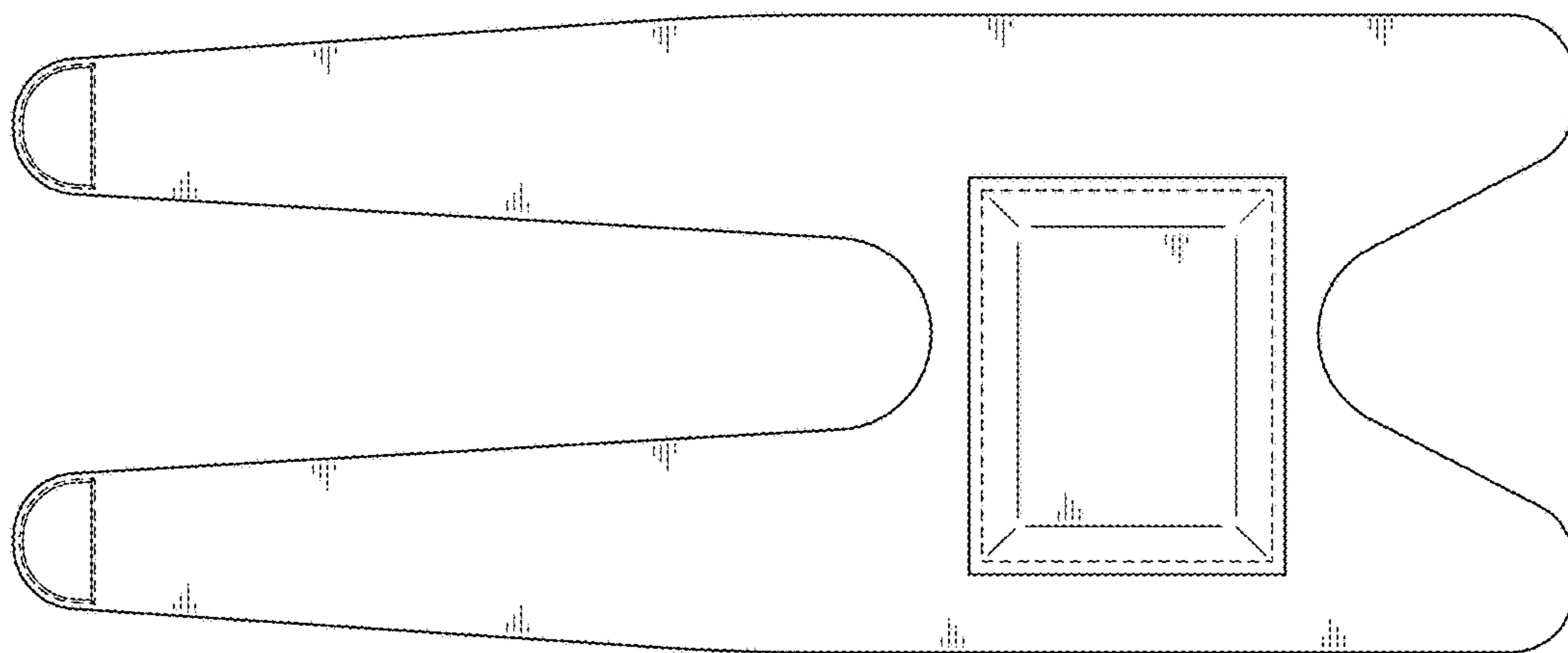


FIG. 6

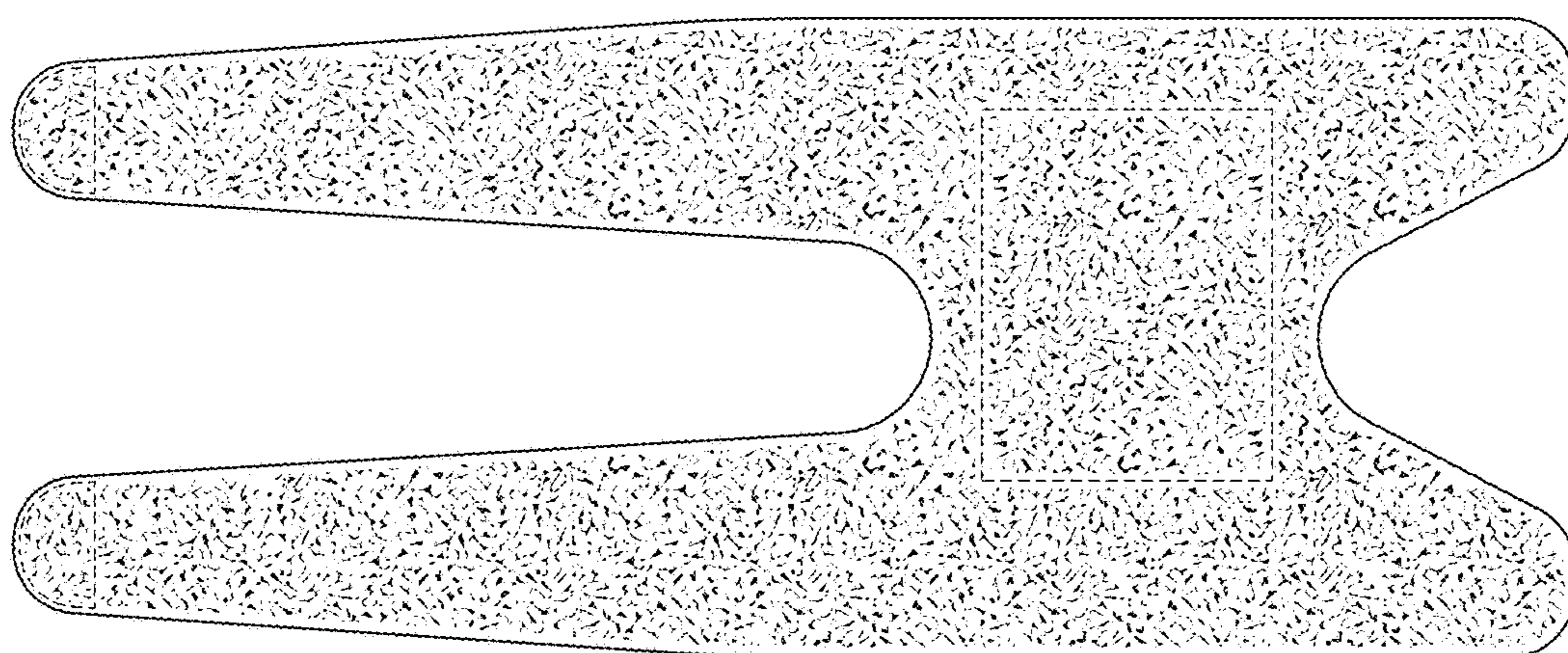


FIG. 7