



US00D800321S

(12) **United States Design Patent**
Roche

(10) **Patent No.:** **US D800,321 S**
(45) **Date of Patent:** **** Oct. 17, 2017**

- (54) **ELECTRODE**
- (71) Applicant: **INCEREB LTD**, Rathfarnham, Dublin (IR)
- (72) Inventor: **James Roche**, Dublin (IR)
- (73) Assignee: **INCEREB LTD.**, Dublin (IE)
- (**) Term: **15 Years**
- (21) Appl. No.: **29/564,788**
- (22) Filed: **May 16, 2016**
- (30) **Foreign Application Priority Data**

Nov. 28, 2015 (EM) 002863787

- (51) **LOC (10) Cl.** **24-01**
- (52) **U.S. Cl.**
USPC **D24/187**
- (58) **Field of Classification Search**
USPC D24/168, 186-187, 200; 601/15;
600/382-384, 372-374, 376, 391-393,
600/544; 607/115-116, 118, 122, 129,
607/137, 142, 152
CPC ... A61N 1/05; A61N 1/04; A61N 1/00; A61N
1/36; A61N 1/18; A61N 1/39; A61N
1/06; A61B 5/0408; A61B 18/14; A61B
5/04; A61B 5/00; A61B 5/042; A61B
18/18; A61B 5/0478; A61B 5/05; A61B
5/0416; A61B 5/04085; A61B 5/6841
See application file for complete search history.

(56) **References Cited**
U.S. PATENT DOCUMENTS

- D443,063 S * 5/2001 Pisani D24/187
- 6,453,186 B1 * 9/2002 Lovejoy A61B 5/04085
600/391
- 6,847,836 B1 * 1/2005 Sujdak A61B 5/6841
600/382
- D501,558 S * 2/2005 Chastain D24/187

- D505,206 S * 5/2005 Chastain D24/187
- D519,636 S * 4/2006 Okuda D24/168
- D541,421 S * 4/2007 Metzger D24/187
- D565,183 S * 3/2008 Cheng D24/168
- D594,127 S * 6/2009 Causevic D24/187
- D600,351 S * 9/2009 Phillips D24/168
- 7,826,882 B2 * 11/2010 McIntire A61B 5/0408
600/393
- D647,208 S * 10/2011 Rothman D24/187
- D655,014 S * 2/2012 Gilsdorf D24/187
- D663,849 S * 7/2012 McGusty D24/187
- 8,238,996 B2 * 8/2012 Burnes A61B 5/04085
600/382
- D682,439 S * 5/2013 Olson D24/200
- D702,356 S * 4/2014 Vosch D24/187
- D702,357 S * 4/2014 Vosch D24/187
- 8,738,112 B2 * 5/2014 Choe A61B 5/0416
600/392
- D761,436 S * 7/2016 Fogarty D24/187

(Continued)

Primary Examiner — Ian Simmons
Assistant Examiner — Mark Cavanna
(74) *Attorney, Agent, or Firm* — Renner, Otto, Boisselle
and Sklar, LLP

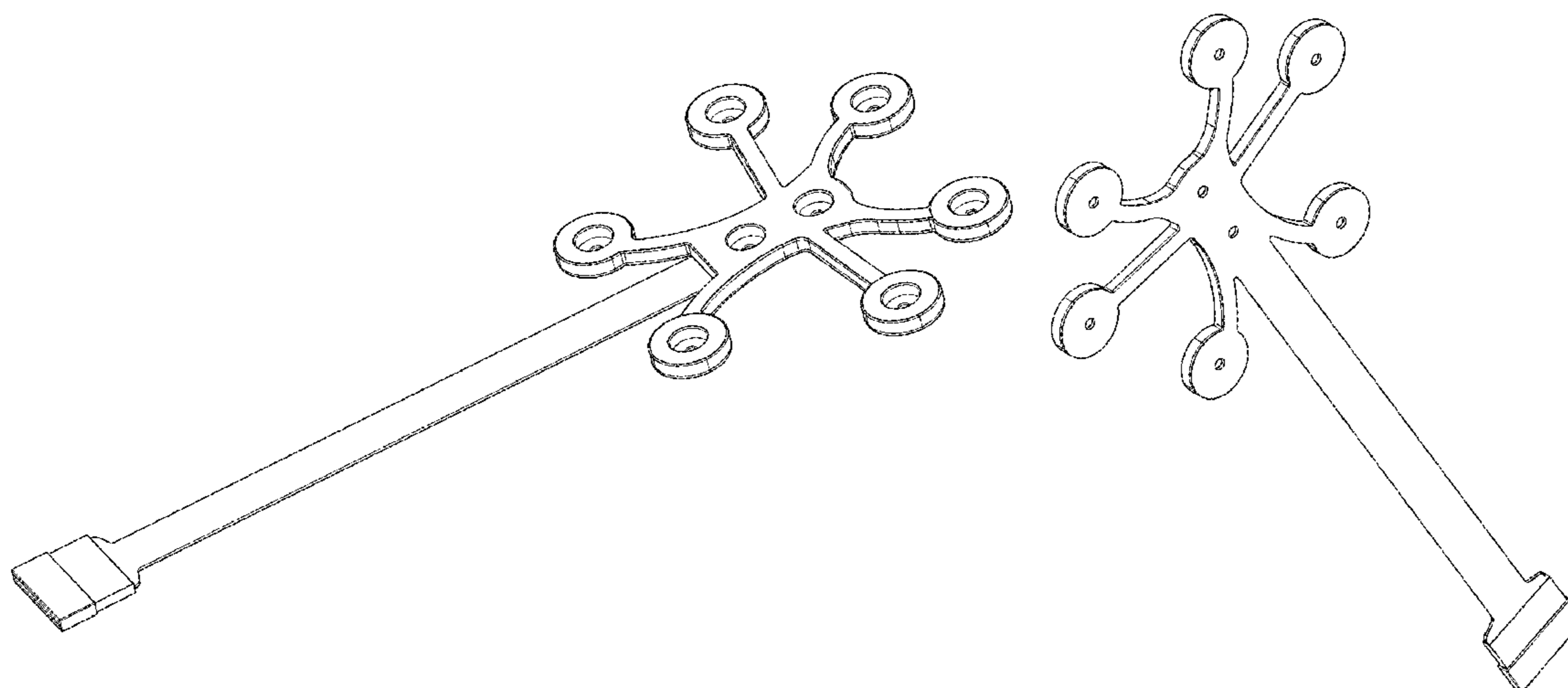
(57) **CLAIM**

The ornamental design for an electrode, as shown and described.

DESCRIPTION

FIG. 1 is a front perspective view of an electrode showing my new design;
FIG. 2 is a rear perspective view thereof;
FIG. 3 is a front plan view thereof;
FIG. 4 is a rear plan view thereof;
FIG. 5 is a left side view thereof, the right side view being a mirror image of the left side view;
FIG. 6 is an enlarged top view thereof; and,
FIG. 7 is an enlarged bottom view thereof.

1 Claim, 7 Drawing Sheets



(56)

References Cited

U.S. PATENT DOCUMENTS

D764,672 S * 8/2016 Vosch D24/187
2013/0079659 A1* 3/2013 Akhadov A61B 5/0476
600/544

* cited by examiner

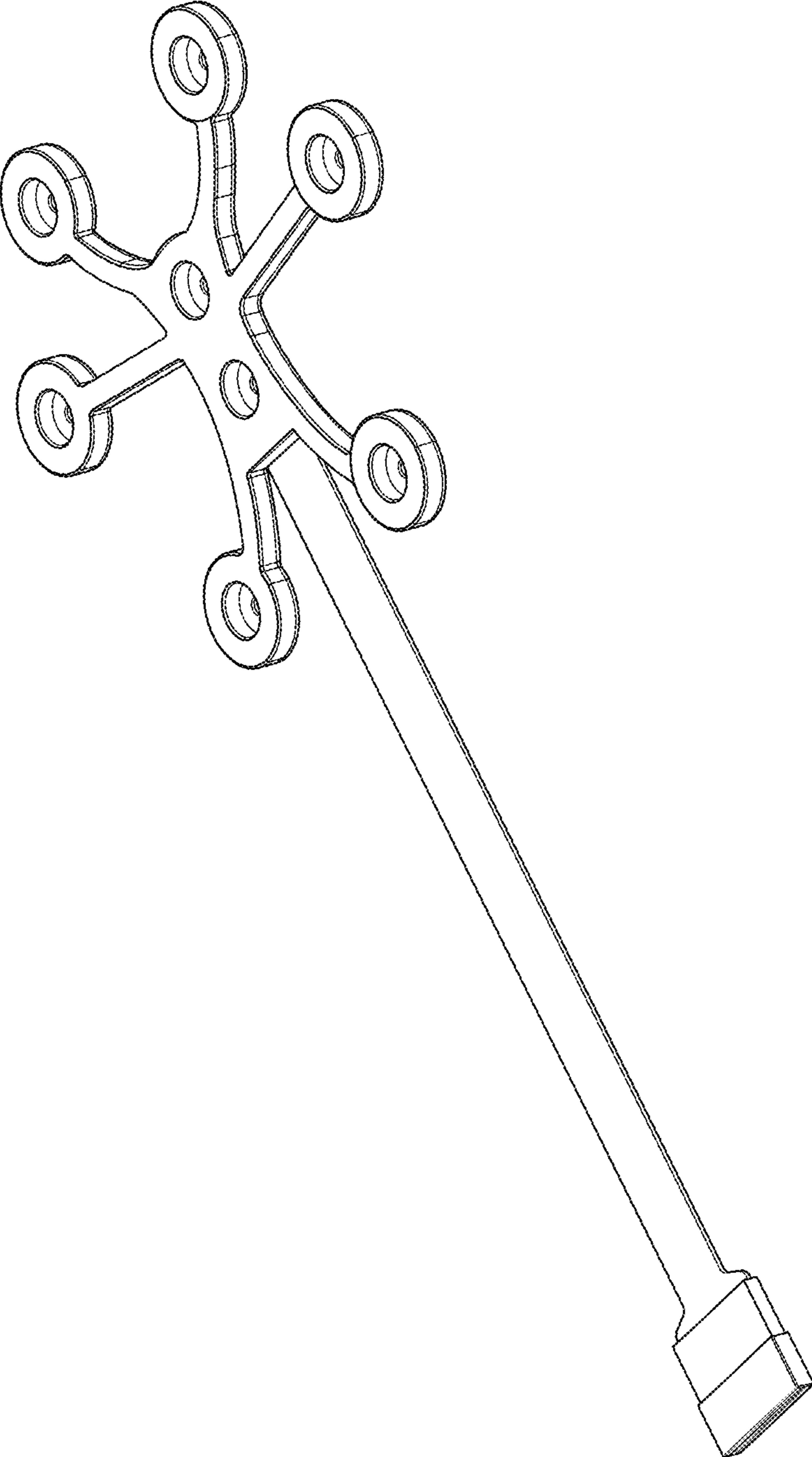


FIG. 1

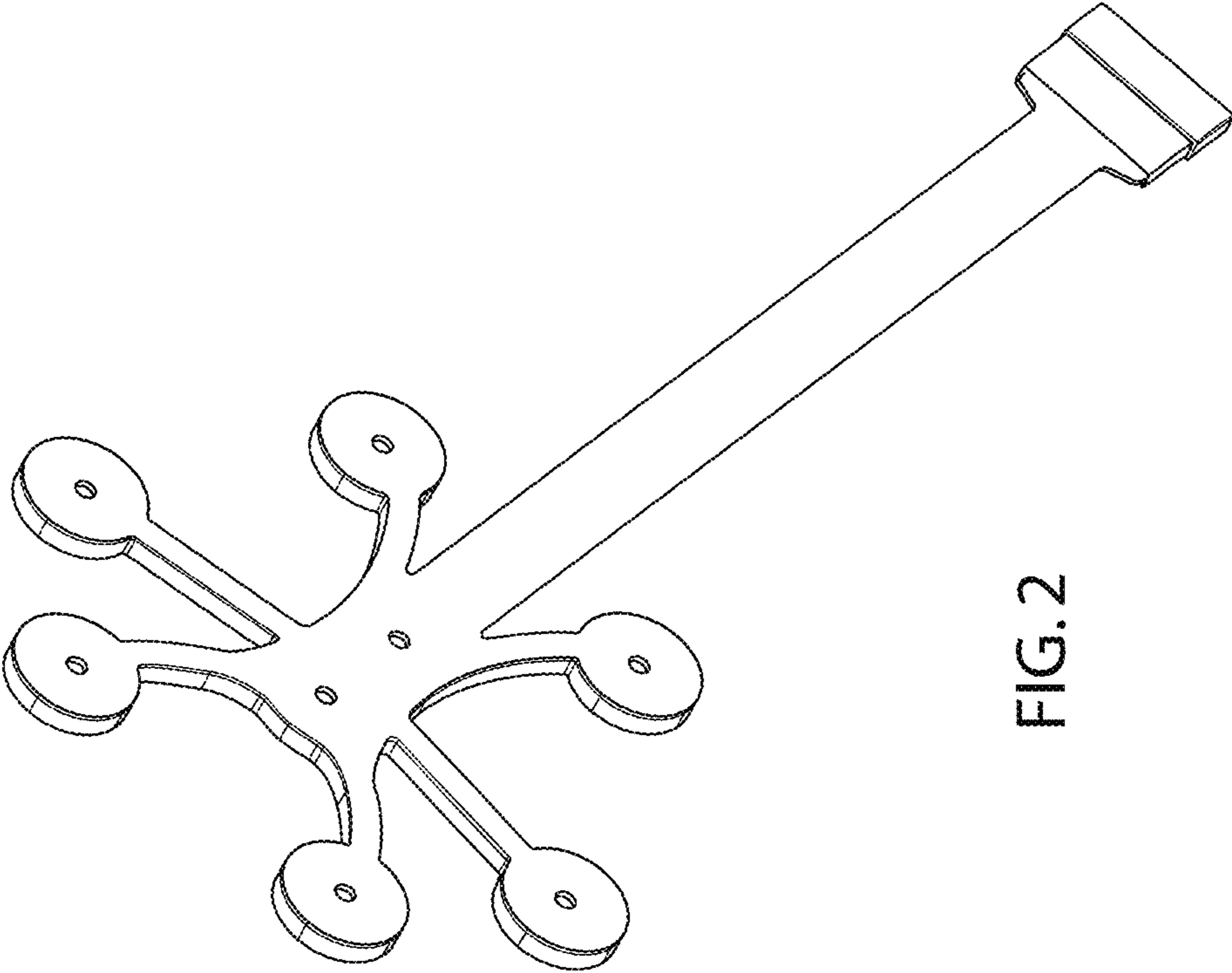


FIG. 2

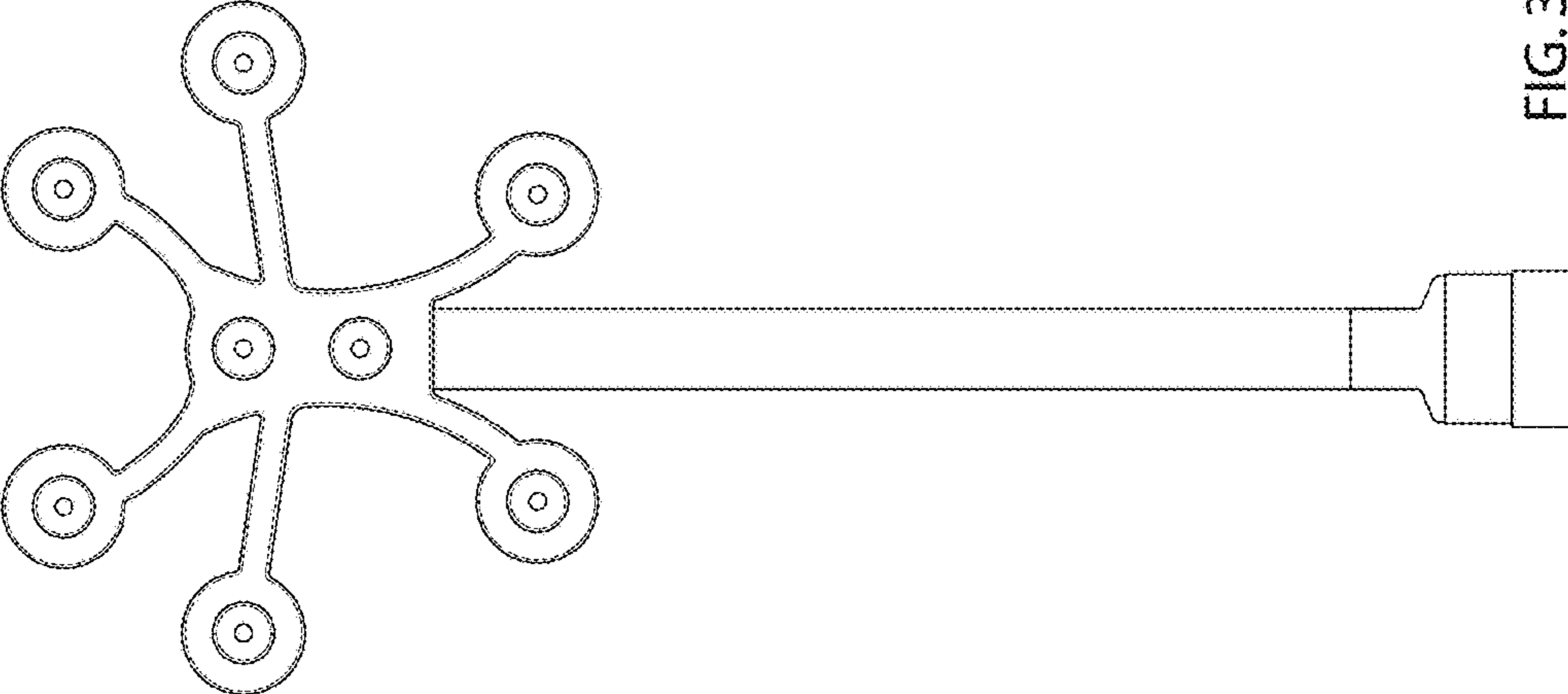


FIG. 3

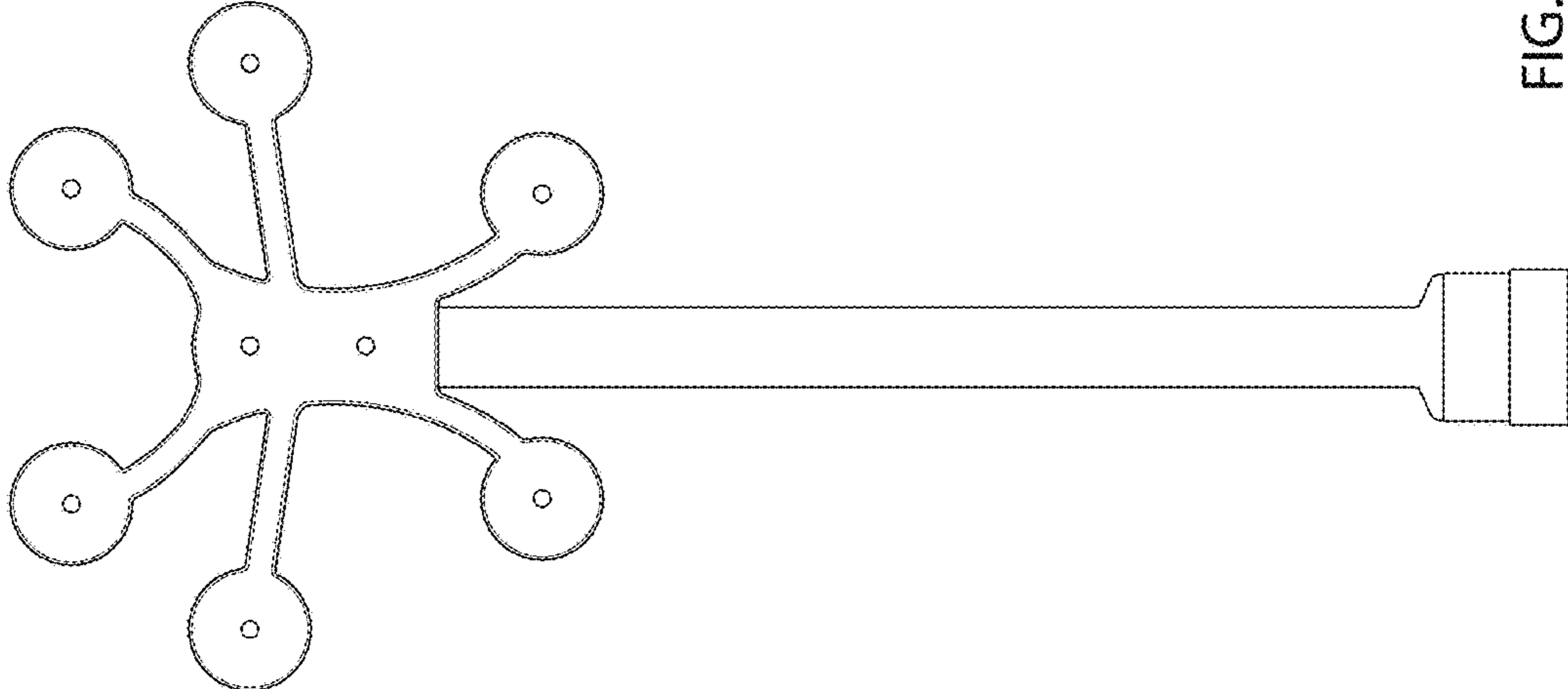


FIG.4

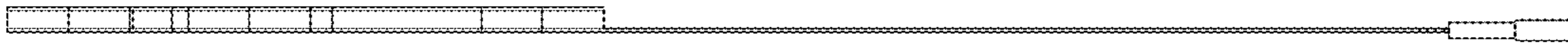


FIG. 5

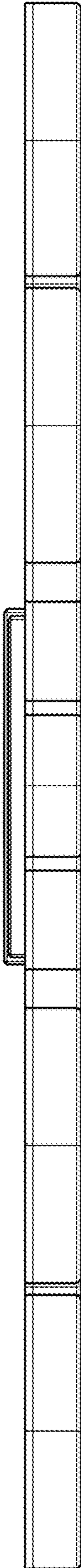


FIG. 6

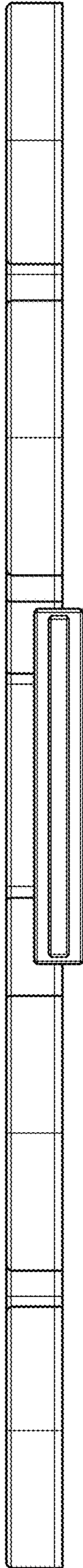


FIG. 7