



US00D800320S

(12) **United States Design Patent**
Nishikawa et al.

(10) **Patent No.:** **US D800,320 S**
(45) **Date of Patent:** **** Oct. 17, 2017**

(54) **IMMUNOCHROMATOGRAPHIC TEST DEVICE**

D733,917 S * 7/2015 Klein D24/232
D753,311 S * 4/2016 Long D24/186
D772,086 S * 11/2016 Schueren D10/81

(71) Applicant: **SEKISUI MEDICAL CO., LTD.**,
Tokyo (JP)

* cited by examiner

(72) Inventors: **Masato Nishikawa**, Osaka (JP); **Kazuo Kotani**, Tokyo (JP); **Motoki Morita**, Tokyo (JP); **Keigo Kohno**, Tokyo (JP)

Primary Examiner — Wan Laymon
Assistant Examiner — Mark Booker

(73) Assignee: **Sekisui Medical Co., Ltd.**, Tokyo (JP)

(74) *Attorney, Agent, or Firm* — Muncy, Geissler, Olds & Lowe, P.C.

(**) Term: **15 Years**

(21) Appl. No.: **29/566,897**

(57) **CLAIM**

(22) Filed: **Jun. 3, 2016**

The ornamental design for an immunochromatographic test device, as shown and described.

(30) **Foreign Application Priority Data**

May 26, 2016 (JP) 2016-11199

(51) **LOC (10) Cl.** **24-01**

(52) **U.S. Cl.**
USPC **D24/186**

(58) **Field of Classification Search**
USPC D24/186, 107-108, 169, 216, 223-225,
D24/229-232; D10/81; 422/63-64, 68.1,
422/85.05, 82.05, 554, 561, 565, 420;
435/287.2
CPC G01N 33/558; G01N 33/56944; Y10S
436/806; Y10S 977/918; Y10S 436/809;
B01D 15/3804; B01D 15/10; B01D
15/3809; B01D 15/3857; B01L
2300/0867; G06K 9/00127
See application file for complete search history.

DESCRIPTION

FIG. 1 is a front right perspective view of an immunochromatographic test device according to the present invention. FIG. 2 is a front view of the immunochromatographic test device of FIG. 1. FIG. 3 is a rear view of the immunochromatographic test device of FIG. 1. FIG. 4 is a top view of the immunochromatographic test device of FIG. 1. FIG. 5 is a bottom view of the immunochromatographic test device of FIG. 1. FIG. 6 is a right side view of the immunochromatographic test device of FIG. 1; and, FIG. 7 is a left side view of the immunochromatographic test device of FIG. 1. The broken lines shown in the figures represent portions of the immunochromatographic test device that form no part of the claimed design.

(56) **References Cited**

U.S. PATENT DOCUMENTS

D678,530 S * 3/2013 Khan D24/186
D686,311 S * 7/2013 Mori D24/108

1 Claim, 5 Drawing Sheets

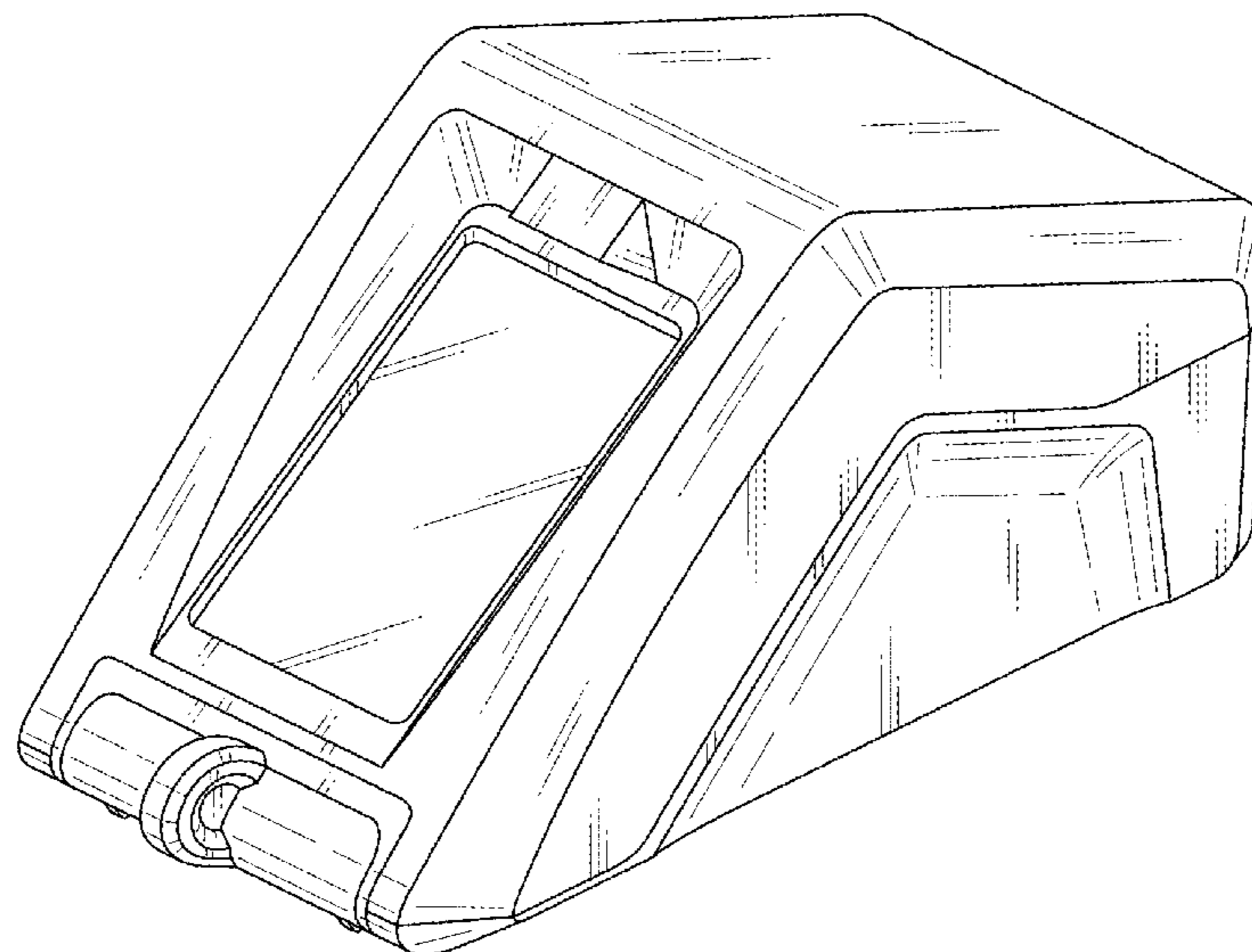


Fig. 1

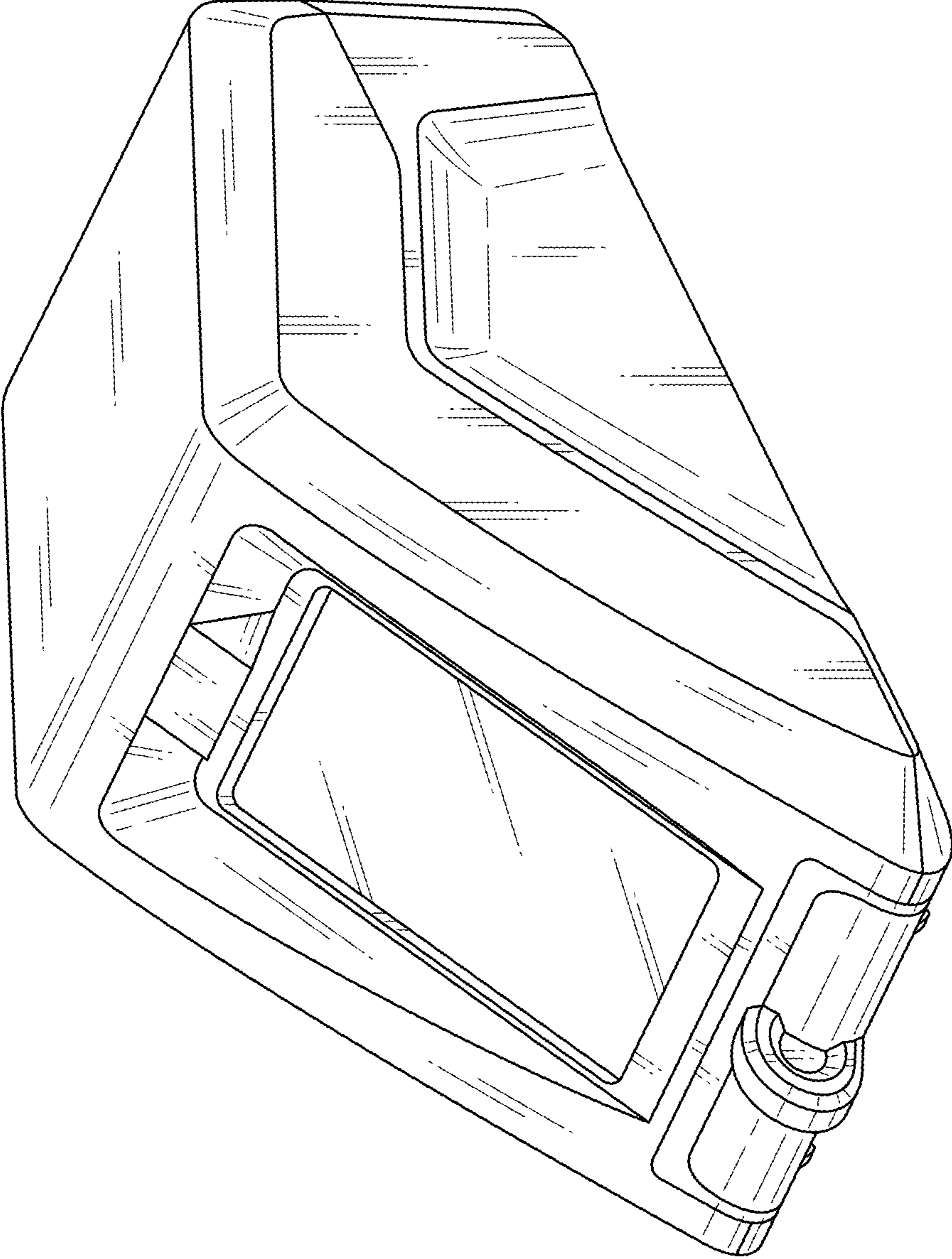


Fig. 3

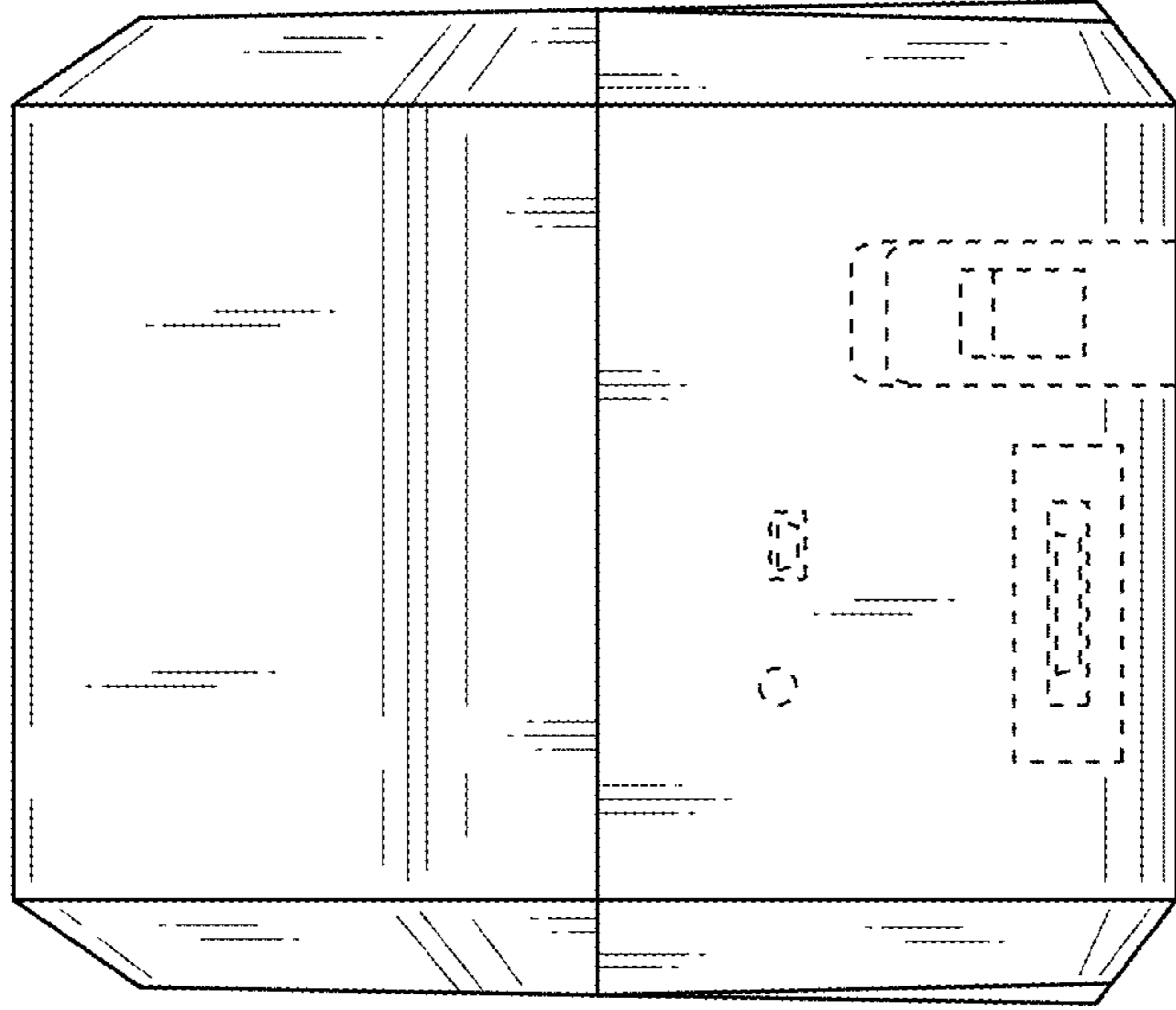


Fig. 2

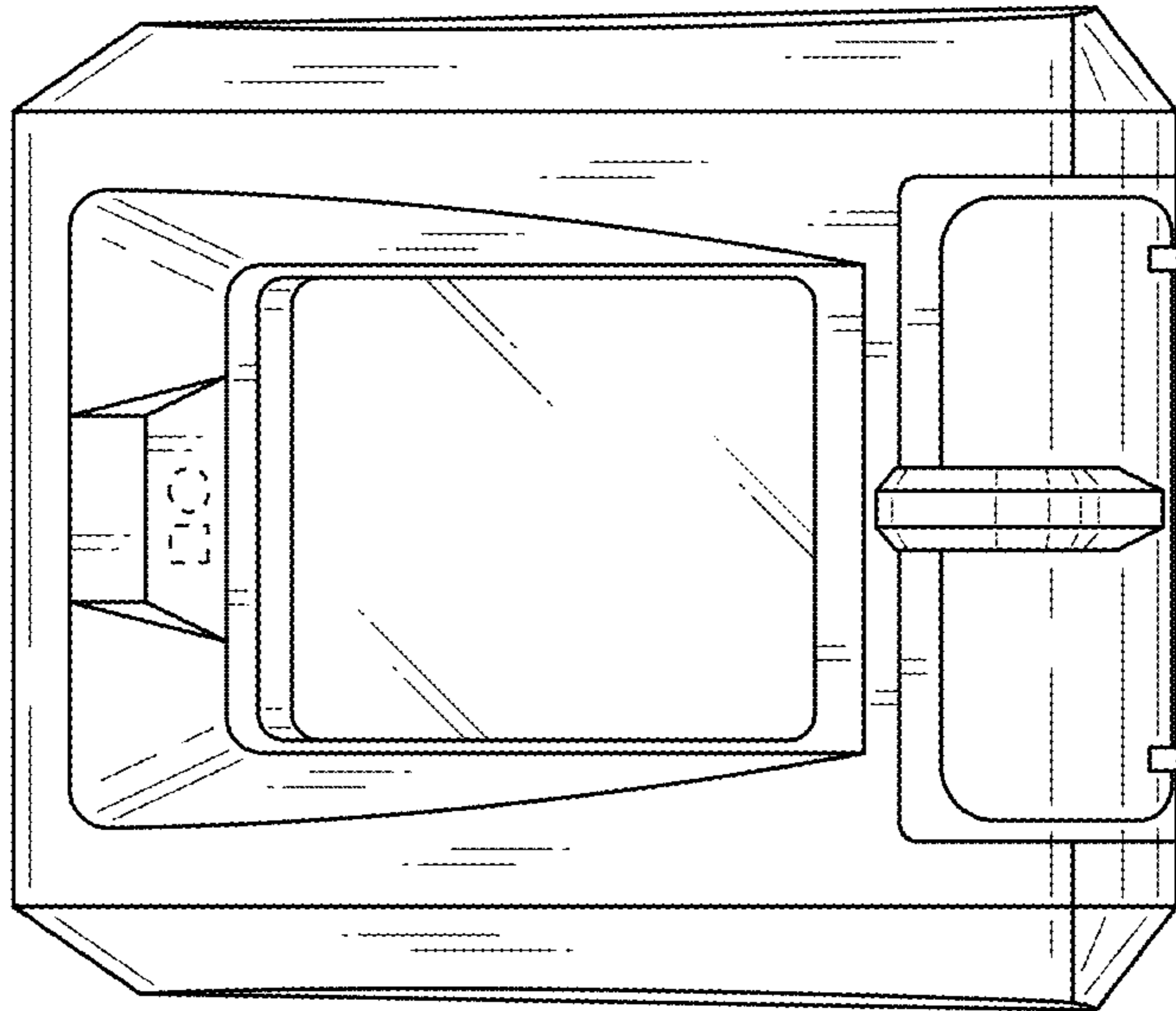


Fig. 5

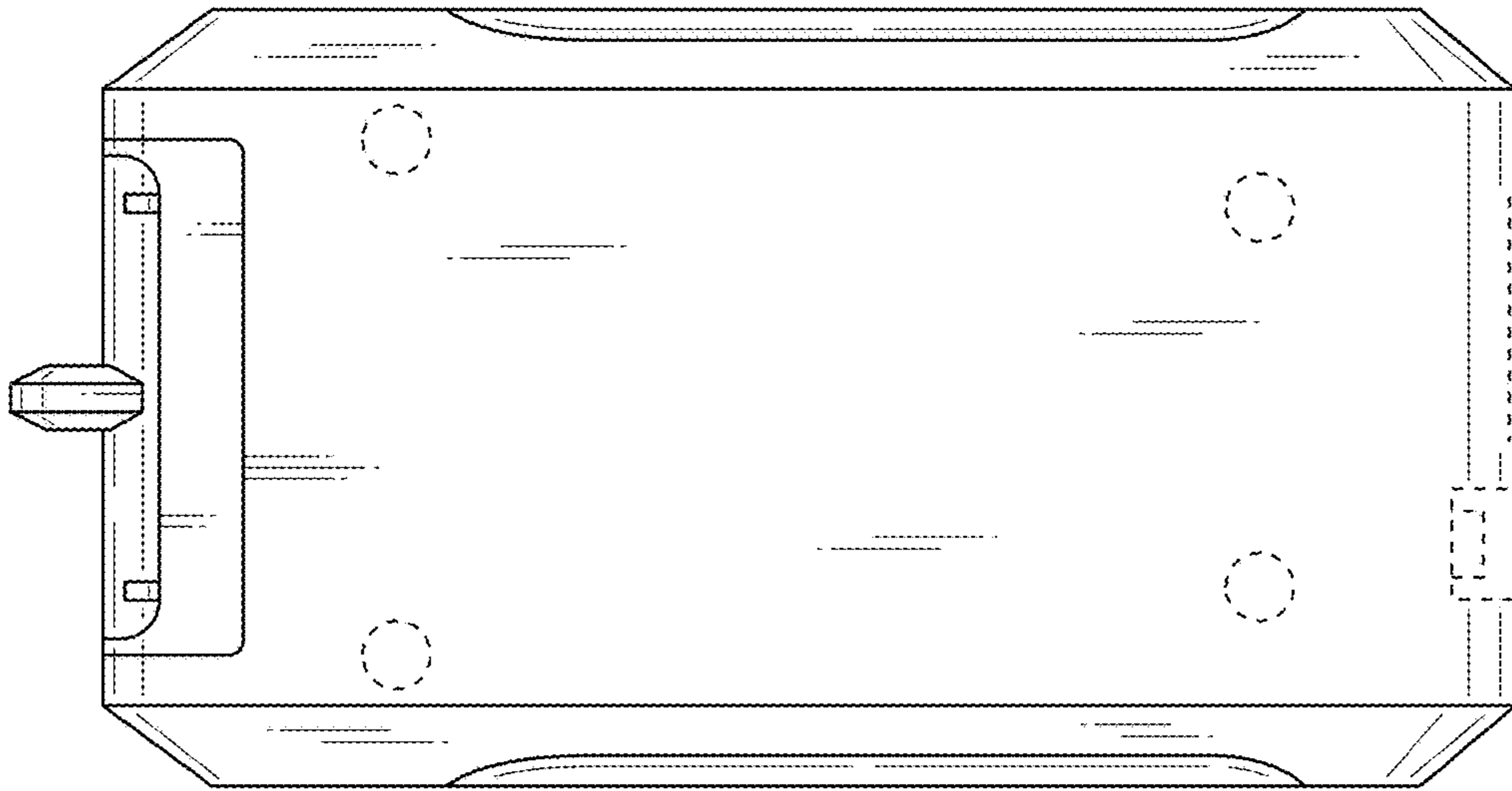


Fig. 4

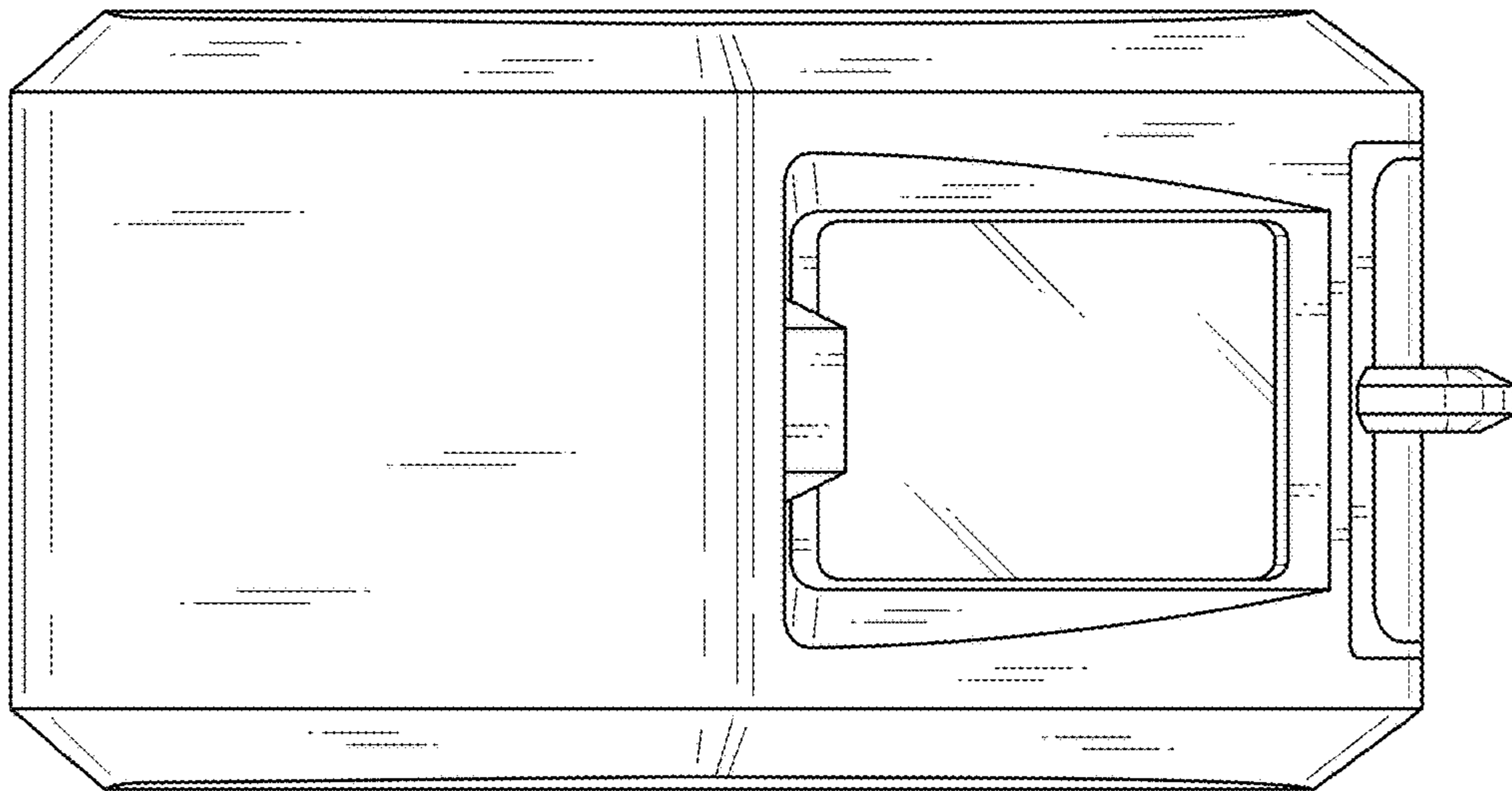


Fig. 6

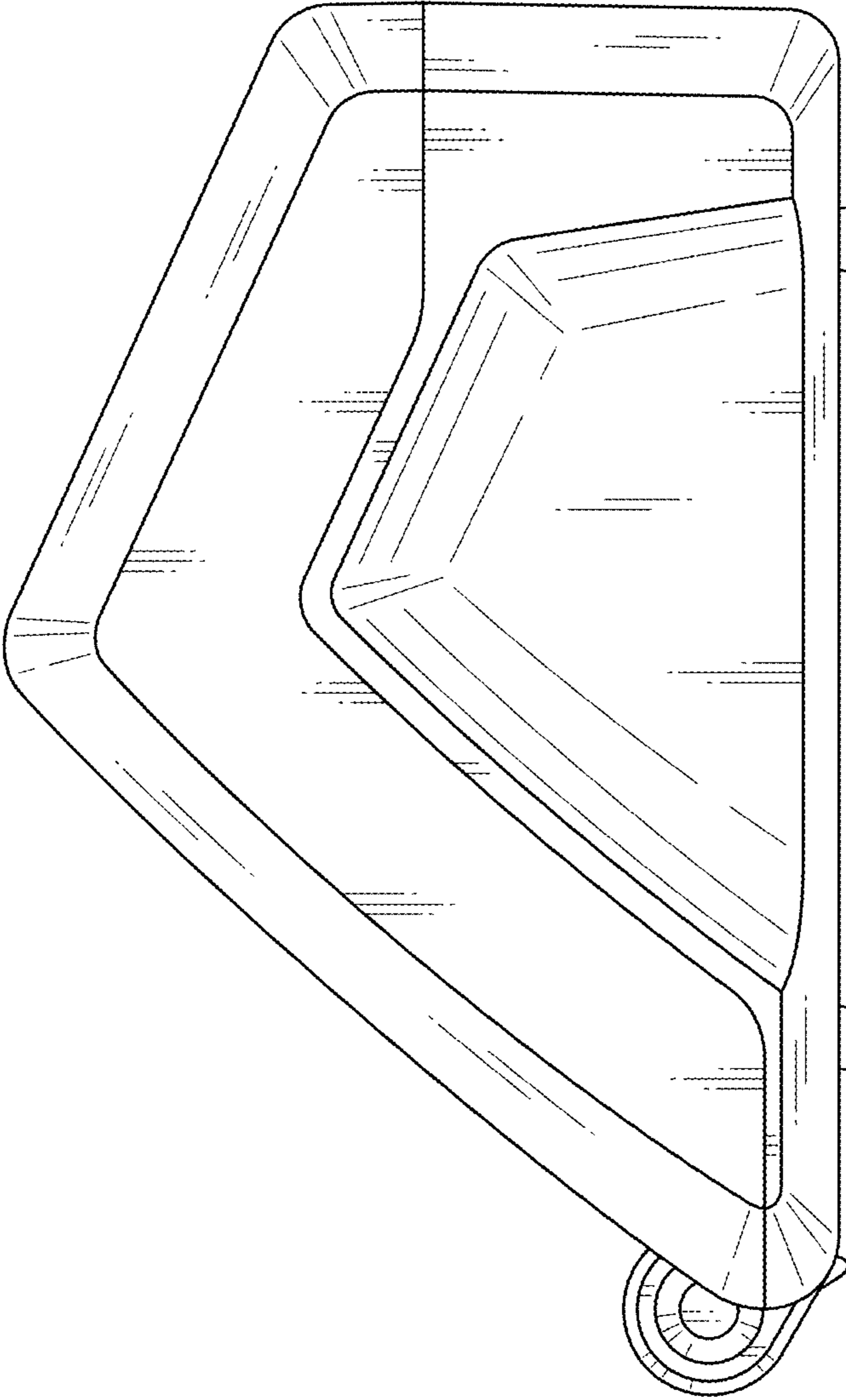


Fig. 7

