



US00D800319S

(12) **United States Design Patent**
Wong et al.

(10) **Patent No.:** **US D800,319 S**
(45) **Date of Patent:** **** Oct. 17, 2017**

(54) **CASE FOR A TWO-POINT DISCRIMINATOR**

2010/0331723 A1* 12/2010 Chandrasekar A61B 5/4827
600/557

(71) Applicants: **Julielynn Yee-Ching Wong**, Toronto (CA); **Jody Mou**, North York (CA)

* cited by examiner

(72) Inventors: **Julielynn Yee-Ching Wong**, Toronto (CA); **Jody Mou**, North York (CA)

Primary Examiner — Wan Laymon

Assistant Examiner — Mark Booker

(74) *Attorney, Agent, or Firm* — Sunstein Kann Murphy & Timbers LLP

(73) Assignee: **3D4MD Inc.**, Toronto (CA)

(57) **CLAIM**

(**) Term: **15 Years**

The ornamental design for a case for a two-point discriminator, as shown and described.

(21) Appl. No.: **29/561,453**

DESCRIPTION

(22) Filed: **Apr. 15, 2016**

(51) **LOC (10) Cl.** **24-02**

(52) **U.S. Cl.**
USPC **D24/186**

(58) **Field of Classification Search**
USPC D24/186, 133, 140, 142, 144; D7/387,
D7/619.1–619.2, 624.1–624.3; 220/738,
220/740, 796; D8/354; 600/557
CPC A61B 5/4824; A61B 5/4827; A61B 5/483;
A61H 39/08
See application file for complete search history.

FIG. 1 shows a perspective view of a case for a two-point discriminator in accordance with the present invention; FIG. 2 shows a top view of the case; FIG. 3 shows a bottom view of the case; FIG. 4 shows a front view of the case; FIG. 5 shows a right side view of the case; FIG. 6 shows a rear view of the case; FIG. 7 shows a left side view of the case; FIG. 8 shows an exploded perspective view of the case showing a lid, a two-point discriminator, and base; and, FIG. 9 shows a top view of the case with the two-point discriminator.

The broken lines shown in the figures represent portions of the case for a two-point discriminator that form no part of the claimed design.

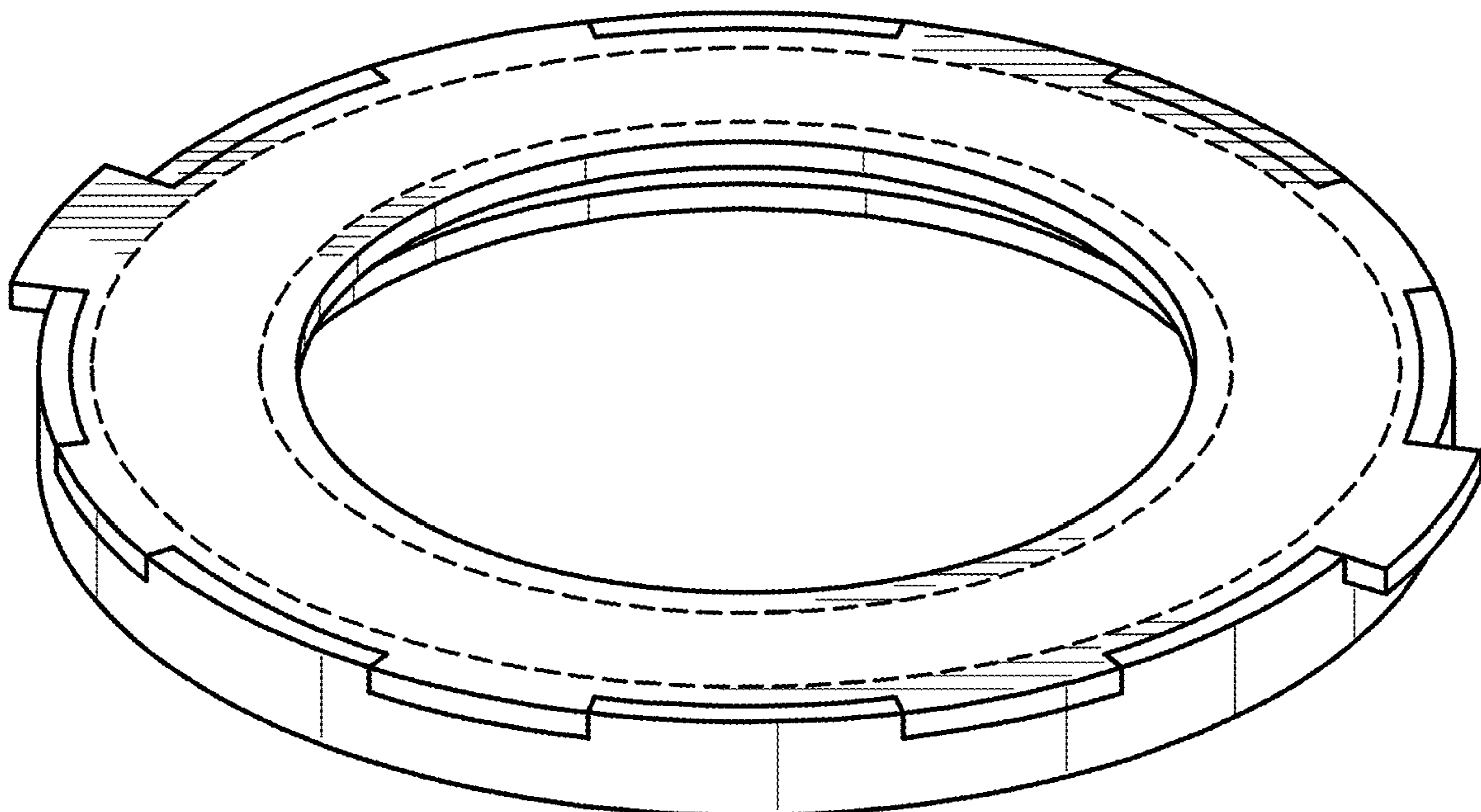
The broken line perimeters seen on surfaces of the case are boundaries of the claimed design. These broken lines and the areas within them also form no part of the claimed design. Surfaces of the case are illustrated with surface shading and contour shading.

(56) **References Cited**

U.S. PATENT DOCUMENTS

- 6,387,055 B1* 5/2002 Christy A61B 5/0057
600/557
- D669,985 S * 10/2012 Cheney D24/140
- D750,467 S * 3/2016 Hill D8/349
- D775,933 S * 1/2017 Hill D8/349
- D777,917 S * 1/2017 Kabra D24/144

1 Claim, 6 Drawing Sheets



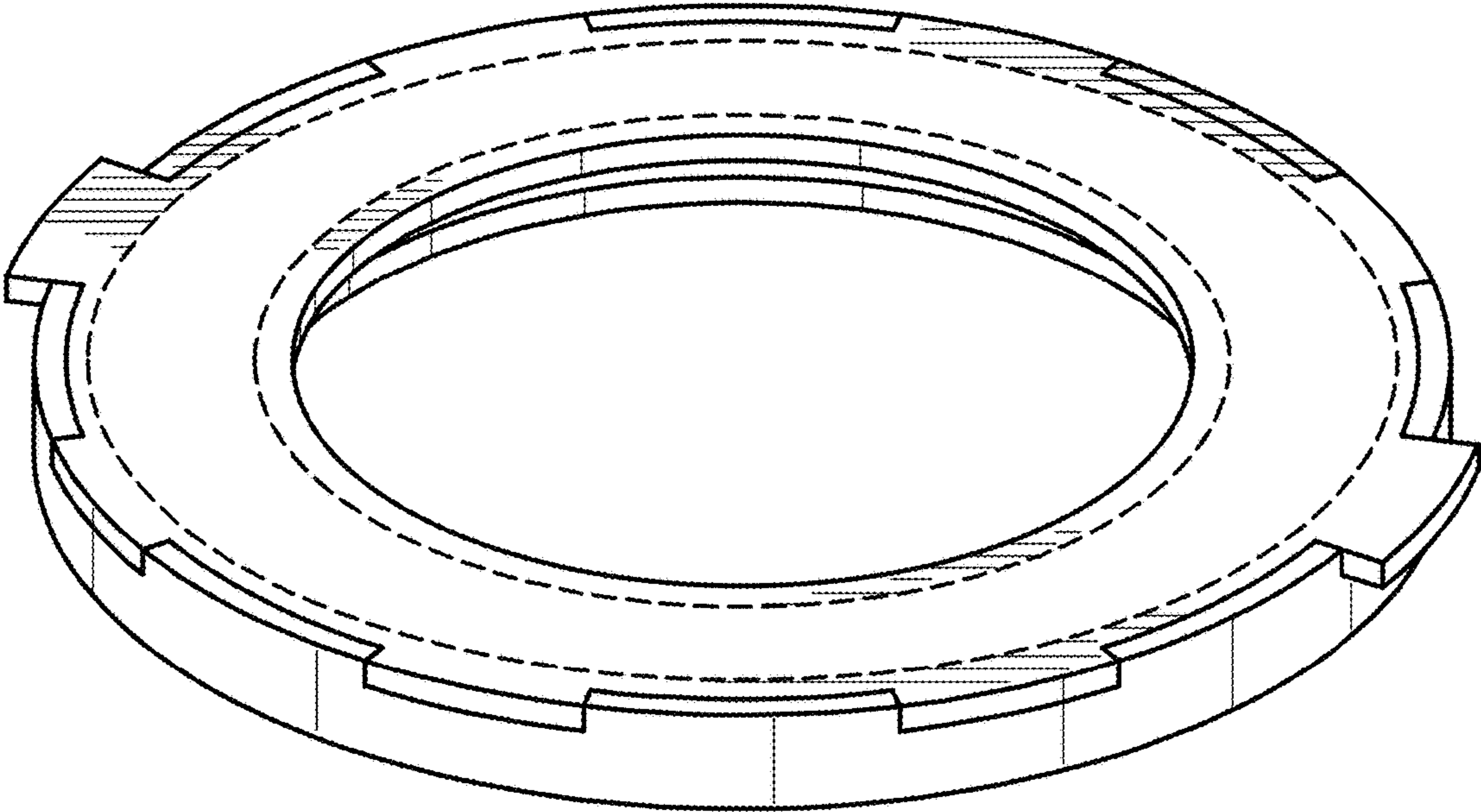


FIG. 1

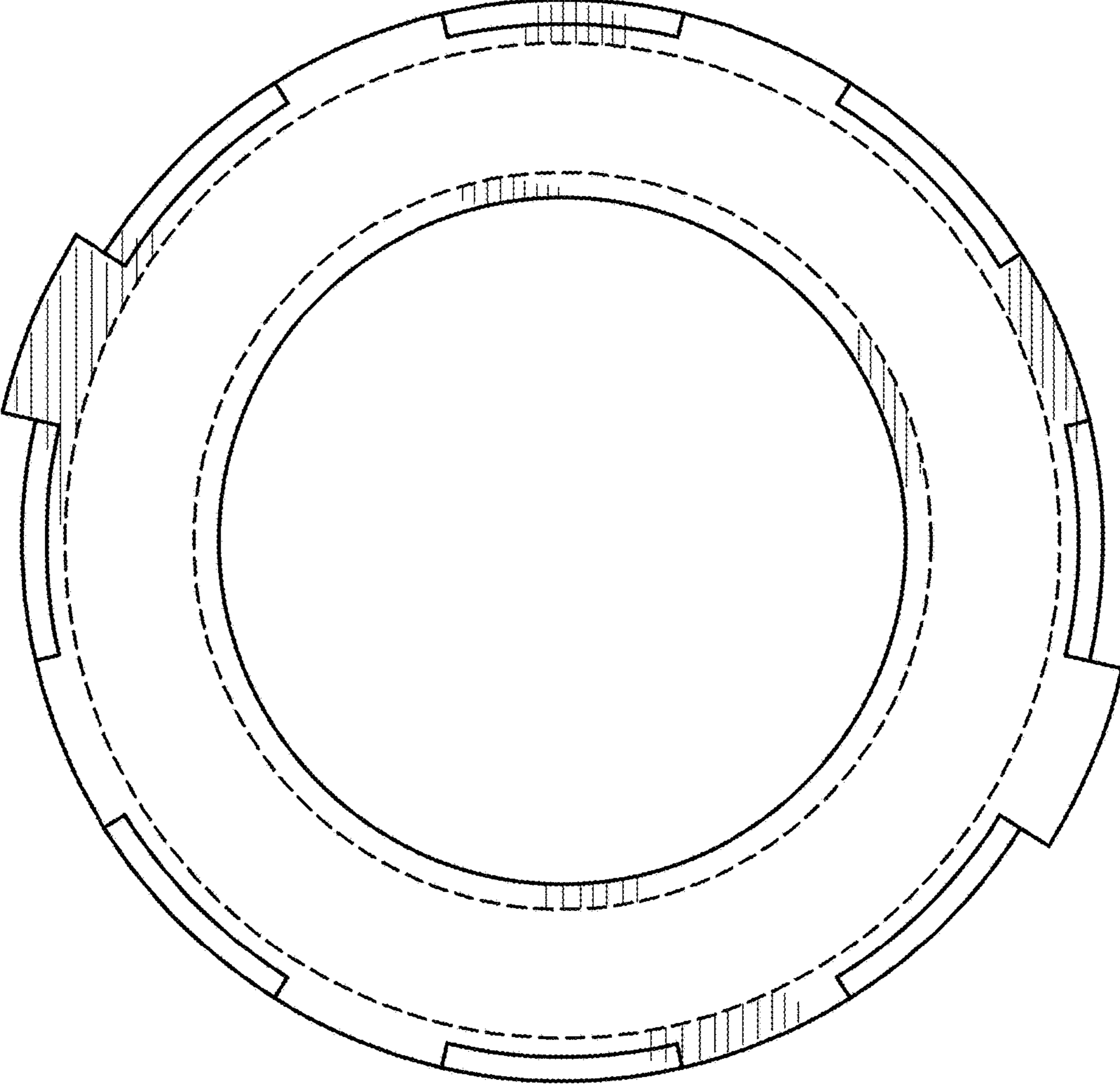


FIG. 2

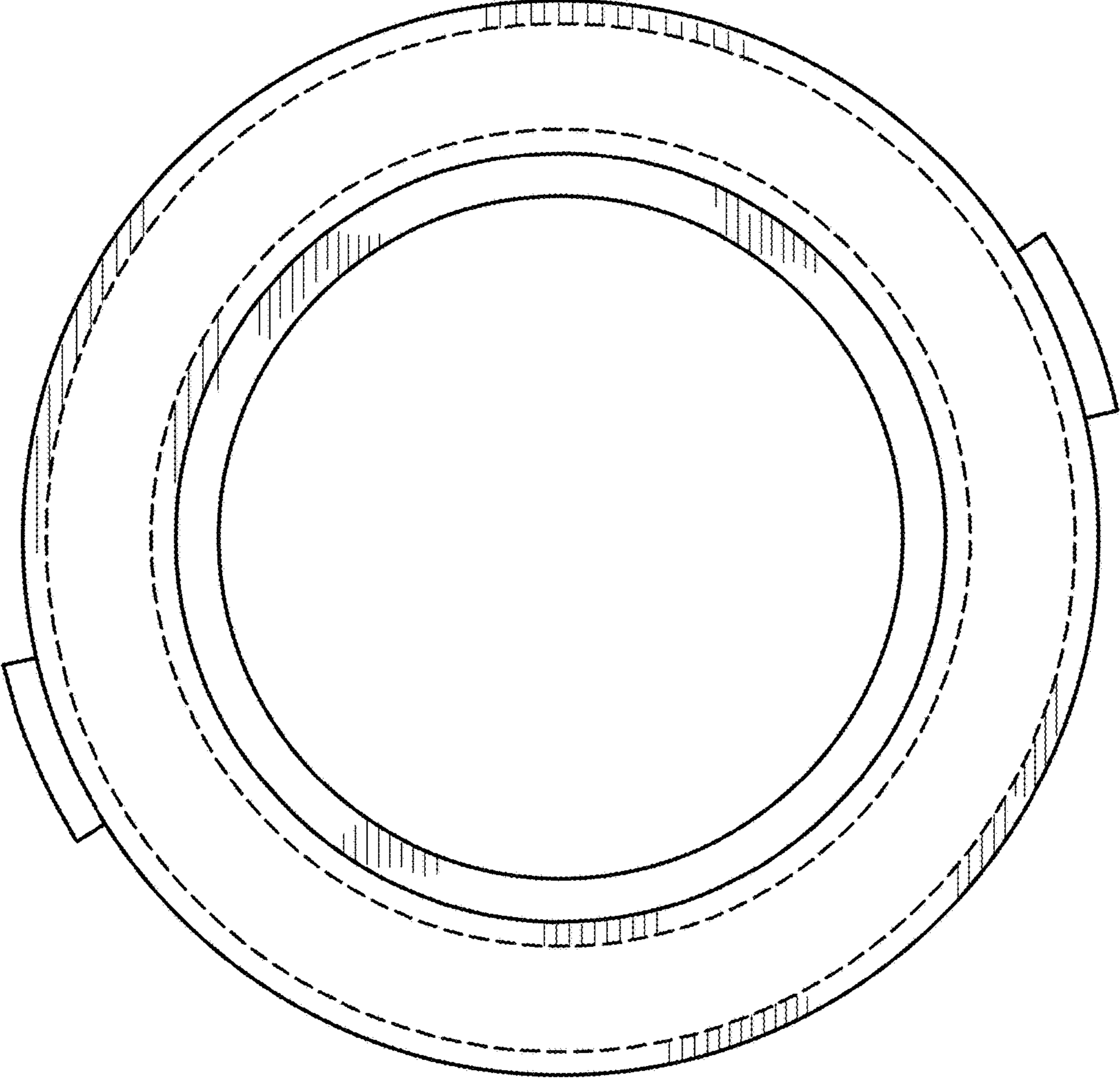


FIG. 3



FIG. 4



FIG. 5



FIG. 6



FIG. 7

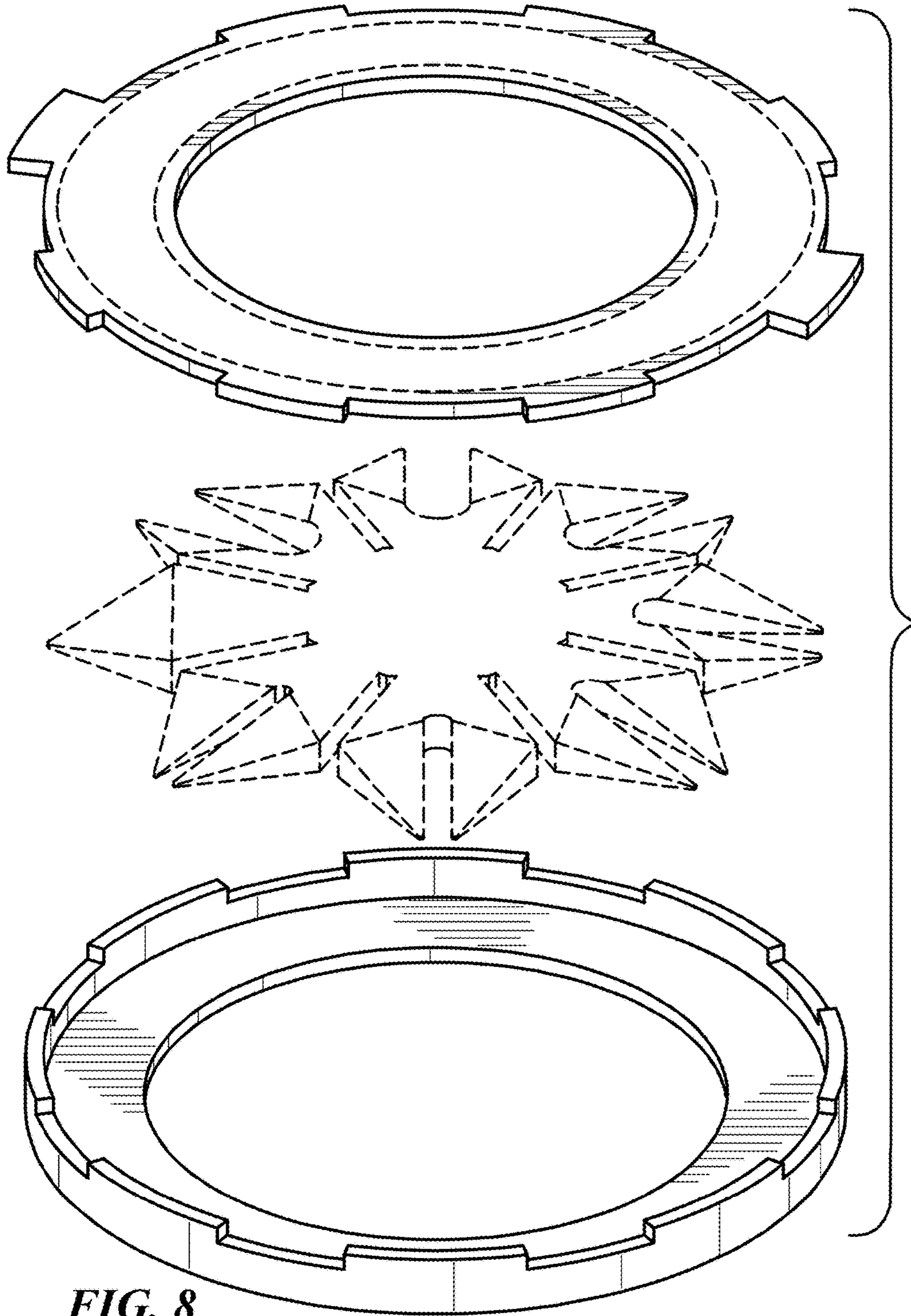


FIG. 8

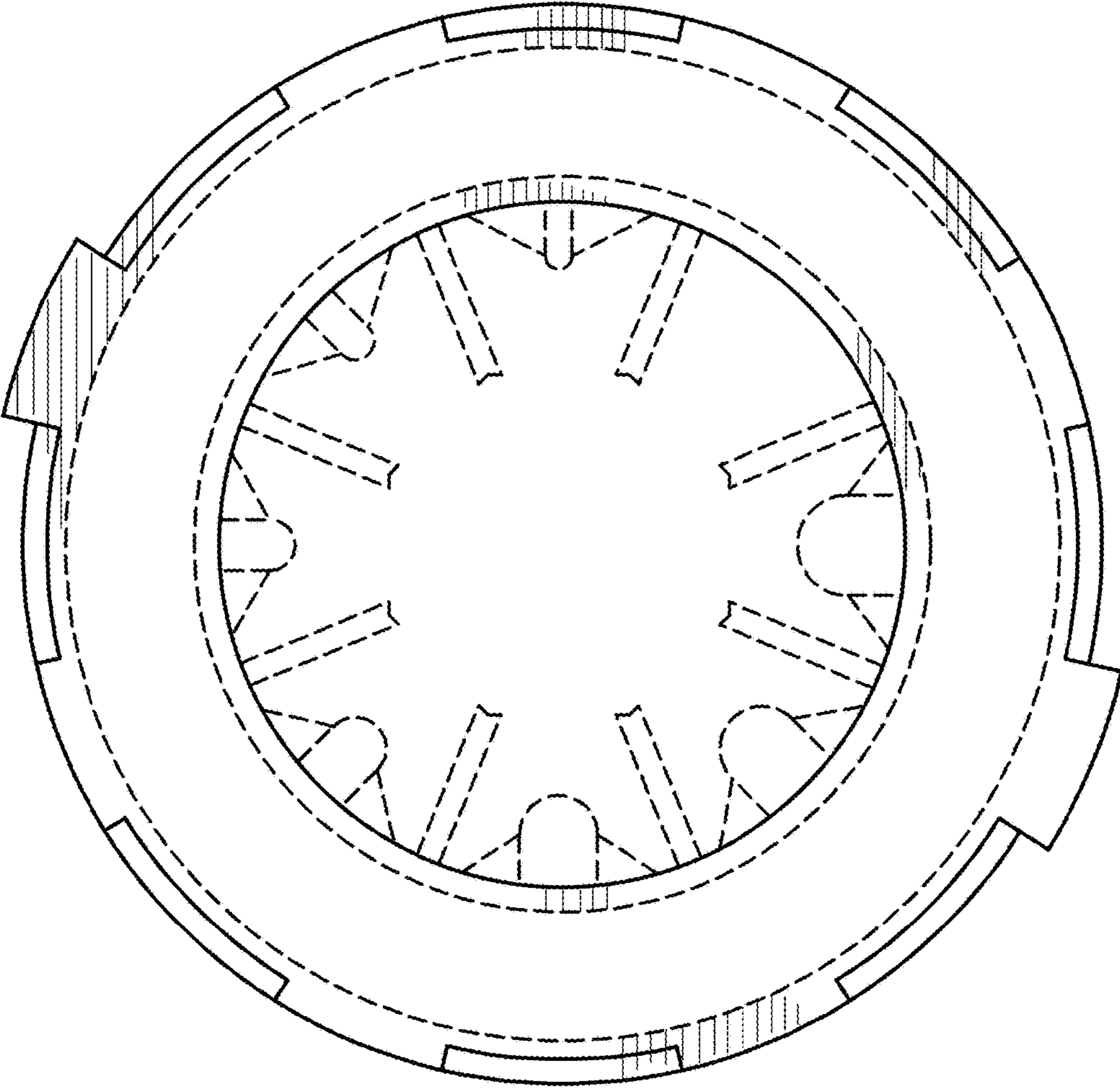


FIG. 9