



US00D800318S

(12) **United States Design Patent**
Quam et al.

(10) **Patent No.: US D800,318 S**

(45) **Date of Patent: ** Oct. 17, 2017**

(54) **HEMODYNAMIC RECORDING SYSTEM
SIGNAL INPUT BOX WITH SMART MOUNT**

A61F 2/2451; A61M 5/16854; G06T
2207/10132; G06T 2207/30048

See application file for complete search history.

(71) Applicant: **Siemens Medical Solutions USA, Inc.**,
Malvern, PA (US)

(56) **References Cited**

(72) Inventors: **Steve D. Quam**, Carpentersville, IL
(US); **Detlef W. Koertge**,
Carpentersville, IL (US); **Michael J.
Cheng**, Buffalo Grove, IL (US); **Dana
Cook**, Indian Creek, IL (US)

U.S. PATENT DOCUMENTS

D554,263 S * 10/2007 Al-Ali D24/186
D603,515 S * 11/2009 Blackwell D24/164
D685,914 S * 7/2013 Corrigan D24/186
D725,784 S * 3/2015 Xia D24/186
D751,435 S * 3/2016 Goldring D10/78

(73) Assignee: **Siemens Healthcare GmbH** (DE)

* cited by examiner

(**) Term: **15 Years**

Primary Examiner — Wan Laymon
Assistant Examiner — Mark Booker

(21) Appl. No.: **29/560,339**

(57) **CLAIM**

(22) Filed: **Apr. 5, 2016**

An ornamental design for a hemodynamic recording system
signal input box with smart mount, as shown and described.

(51) **LOC (10) Cl.** **24-01**

DESCRIPTION

(52) **U.S. Cl.**

USPC **D24/186**

(58) **Field of Classification Search**

USPC D24/186, 107, 111, 160, 164-165,
D24/167-169, 183-184, 187, 216-234;
D10/46, 81, 104.1; D14/126, 371, 381

CPC A61B 5/02028; A61B 5/029; A61B 8/06;
A61B 5/0205; A61B 2562/0247; A61B
5/150229; A61B 5/7278; A61B 8/04;
A61B 8/0891; A61B 8/488; A61B 5/021;
A61B 5/026; A61B 5/0285; A61B
5/0803; A61B 5/14532; A61B 5/14546;

FIG. 1 is a top perspective view of a hemodynamic recording system signal input box with smart mount in accordance with the design;

FIG. 2 is a right side view thereof;

FIG. 3 is a left side view thereof;

FIG. 4 is a top view thereof;

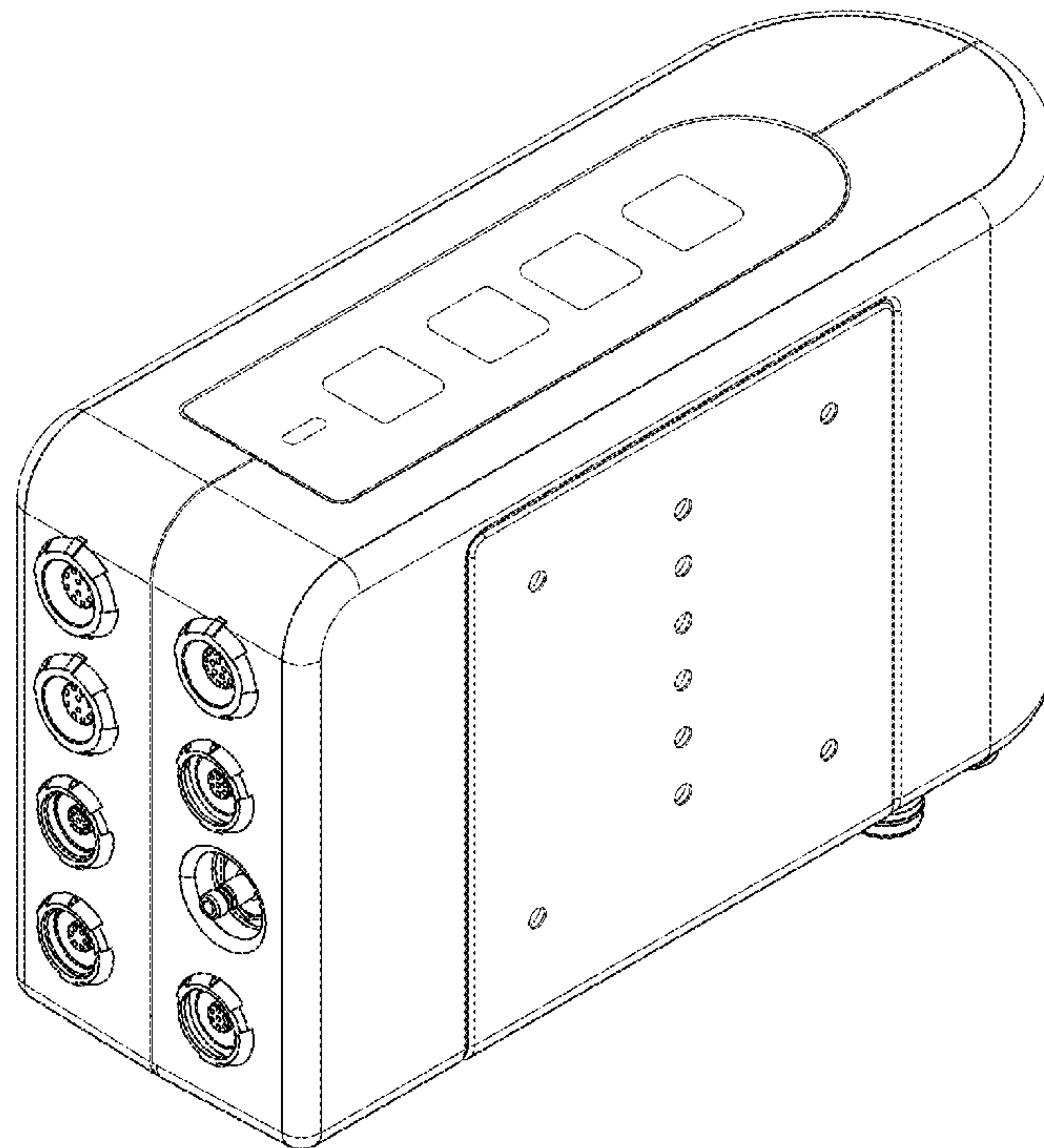
FIG. 5 is a bottom view thereof;

FIG. 6 is a front side view thereof;

FIG. 7 is a rear side view thereof; and,

FIG. 8 is a bottom perspective view thereof.

1 Claim, 8 Drawing Sheets



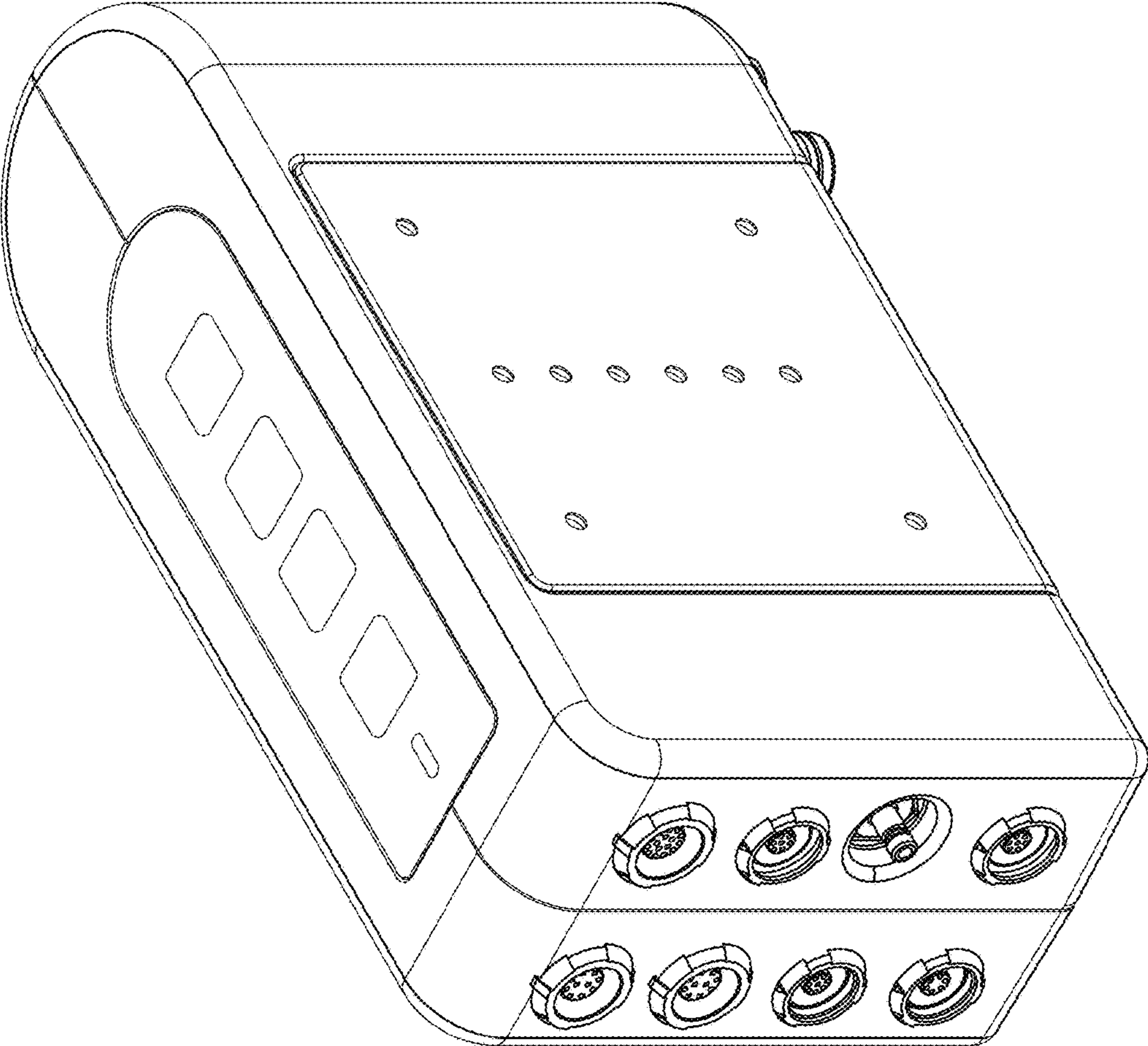


FIG. 1

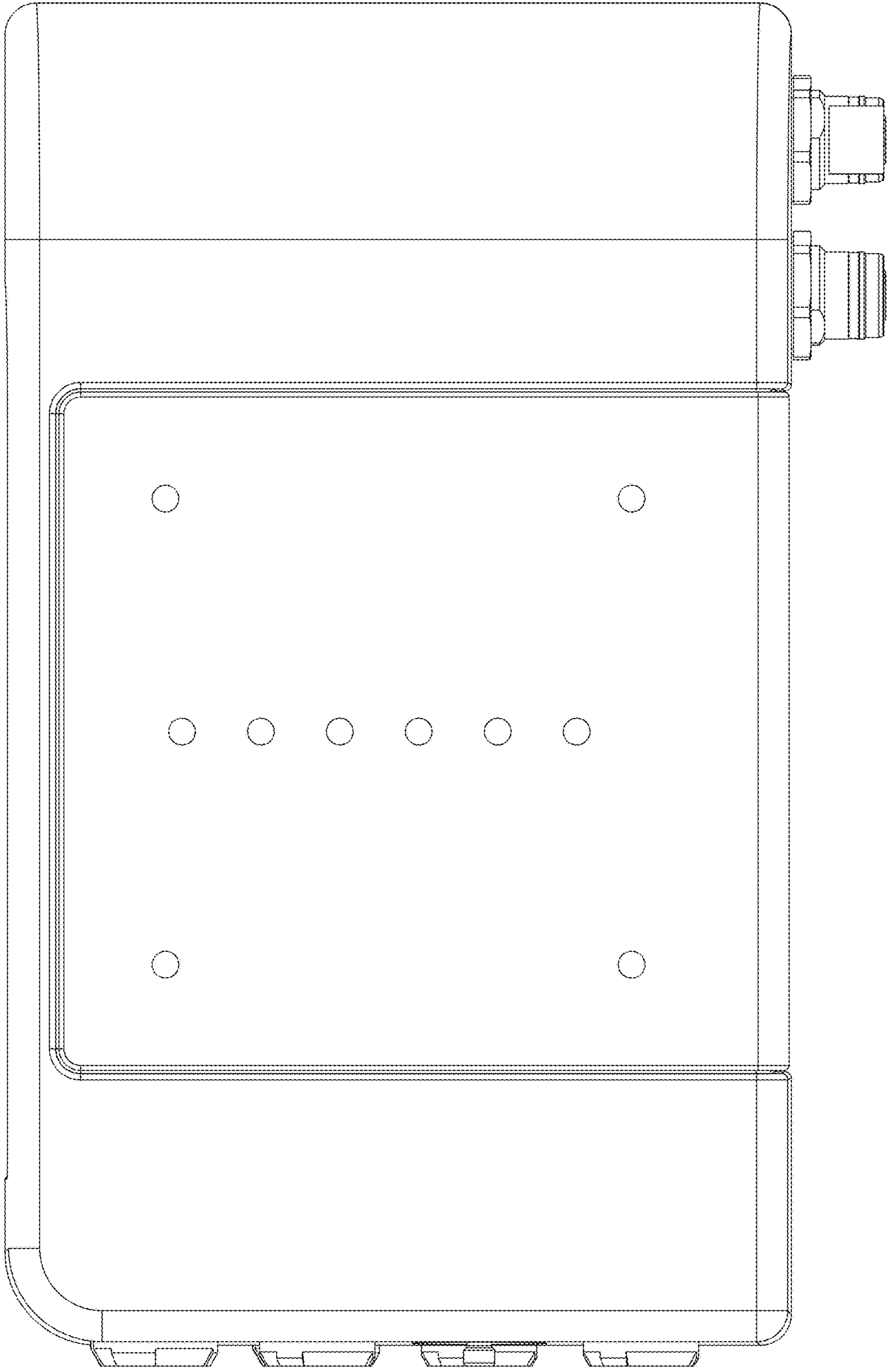


FIG. 2

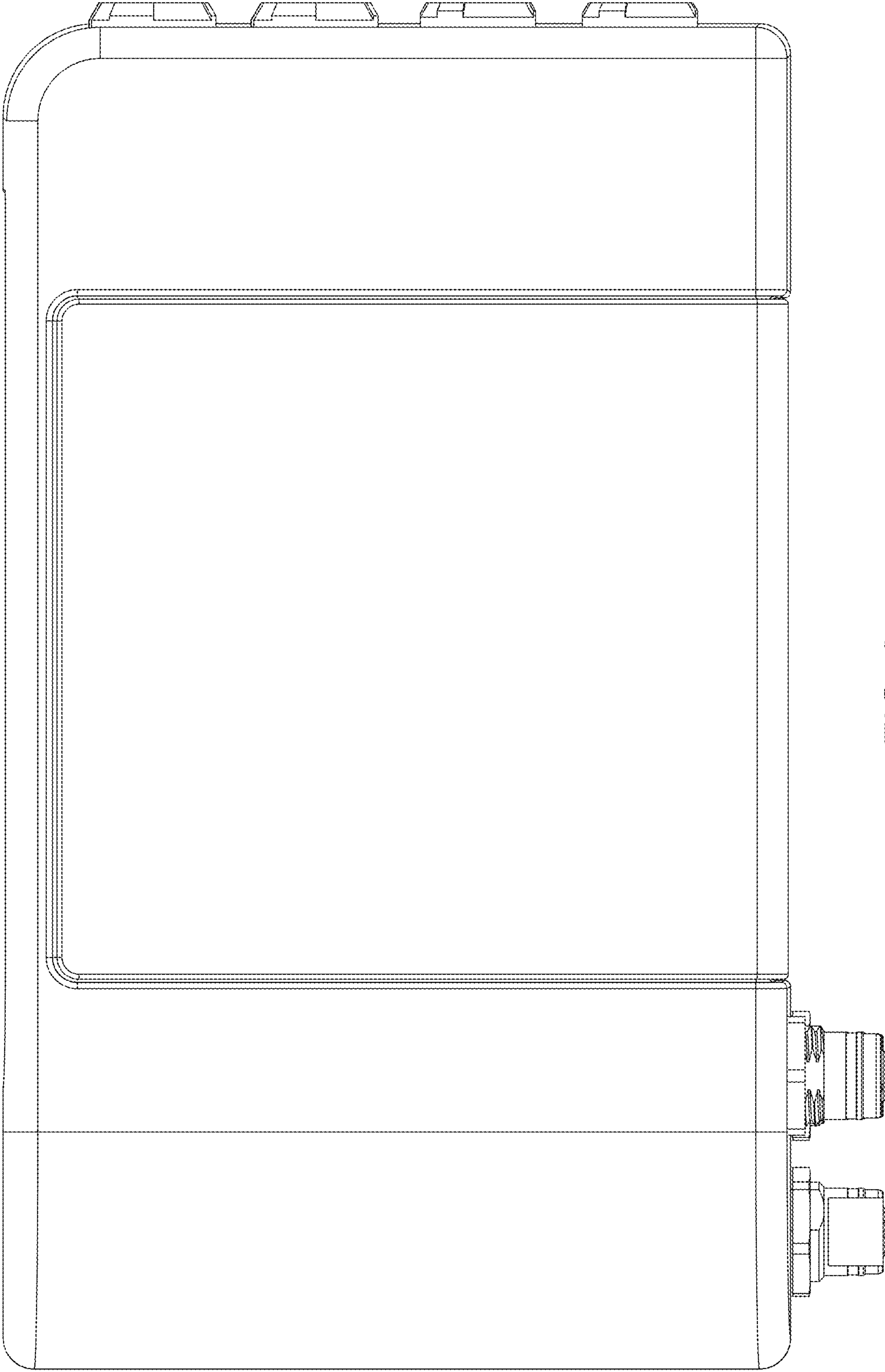


FIG. 3

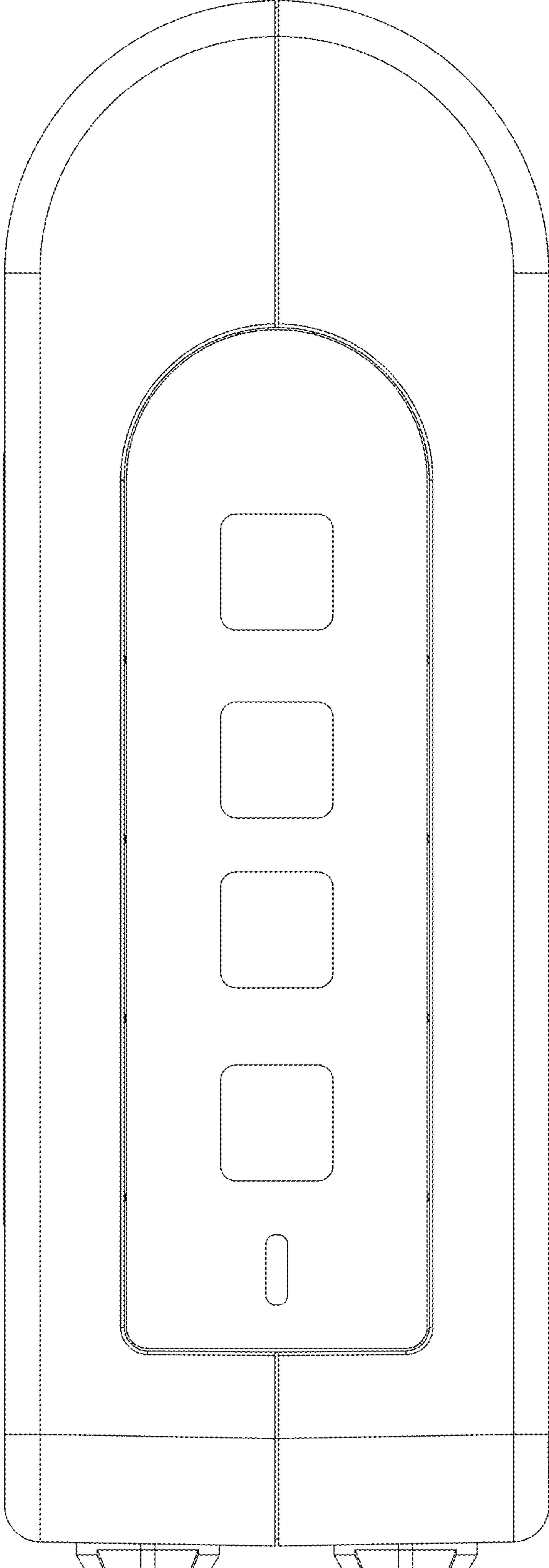


FIG. 4

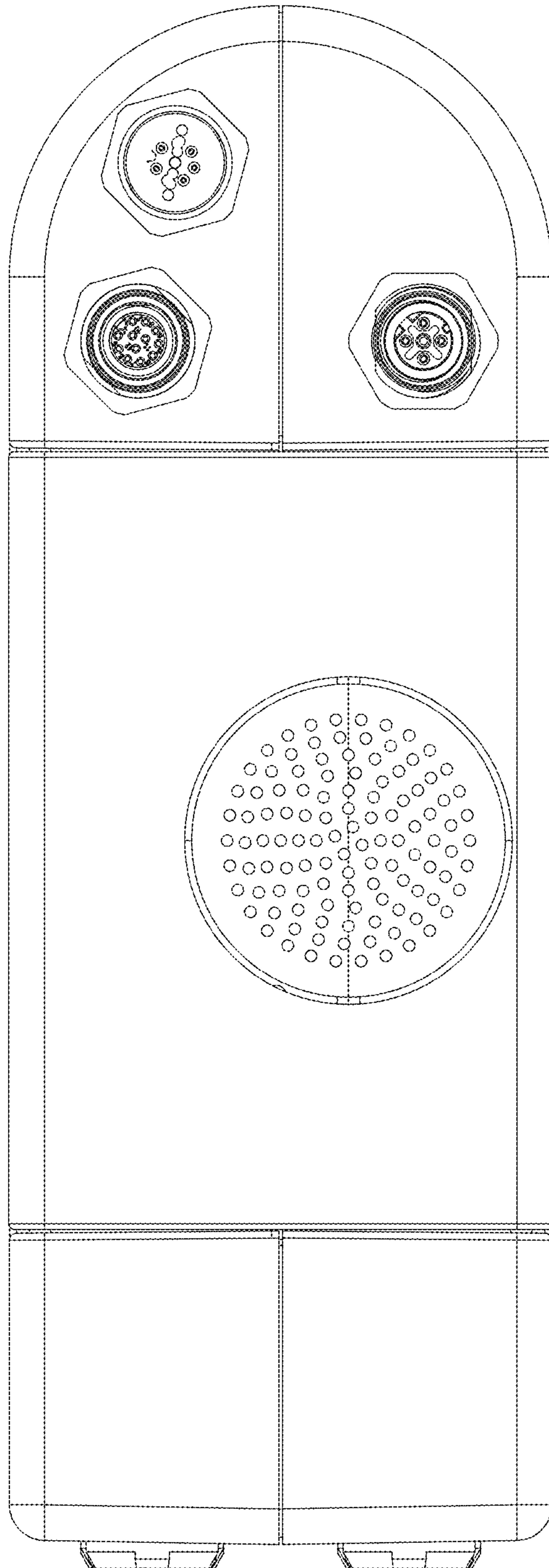


FIG. 5

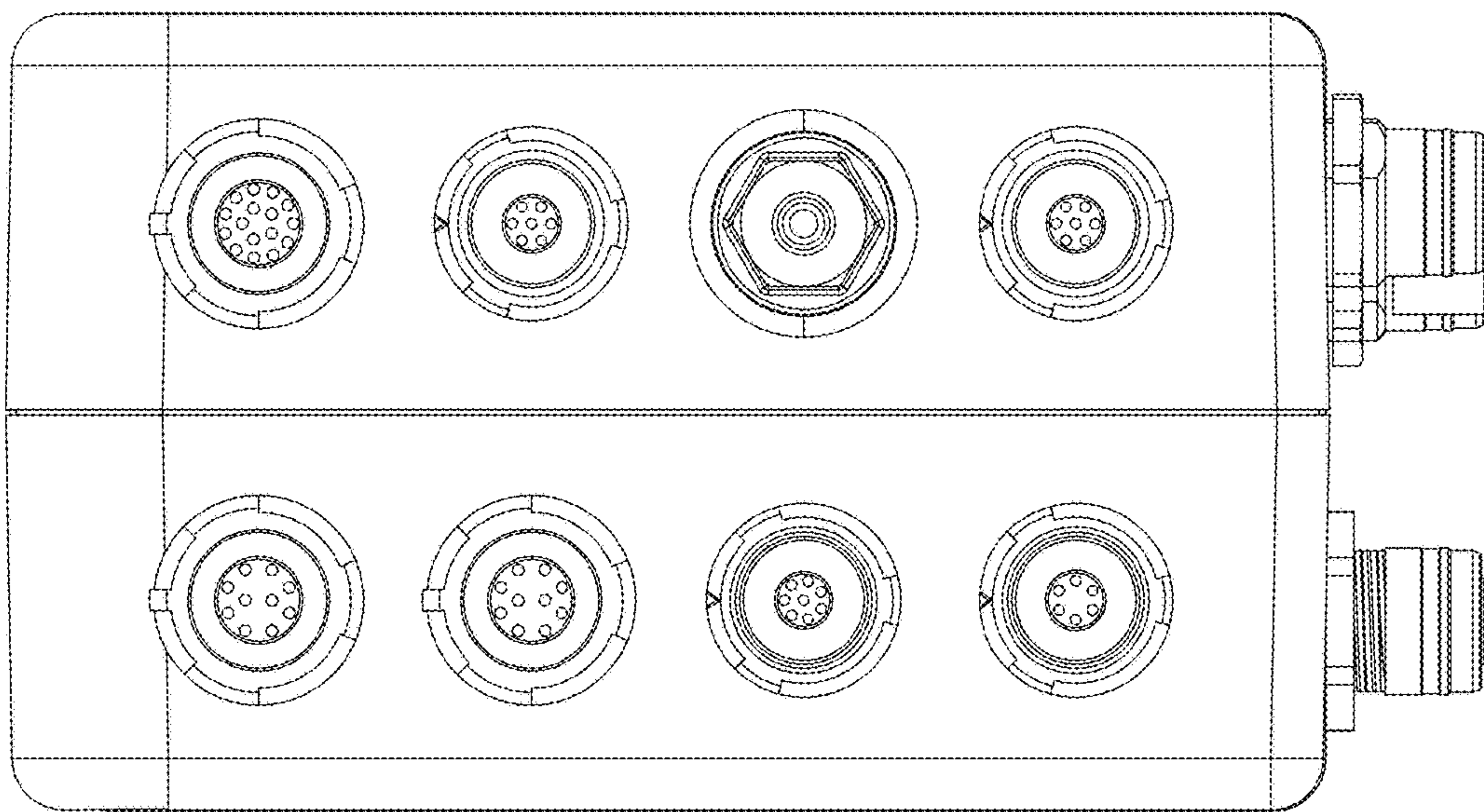


FIG. 6

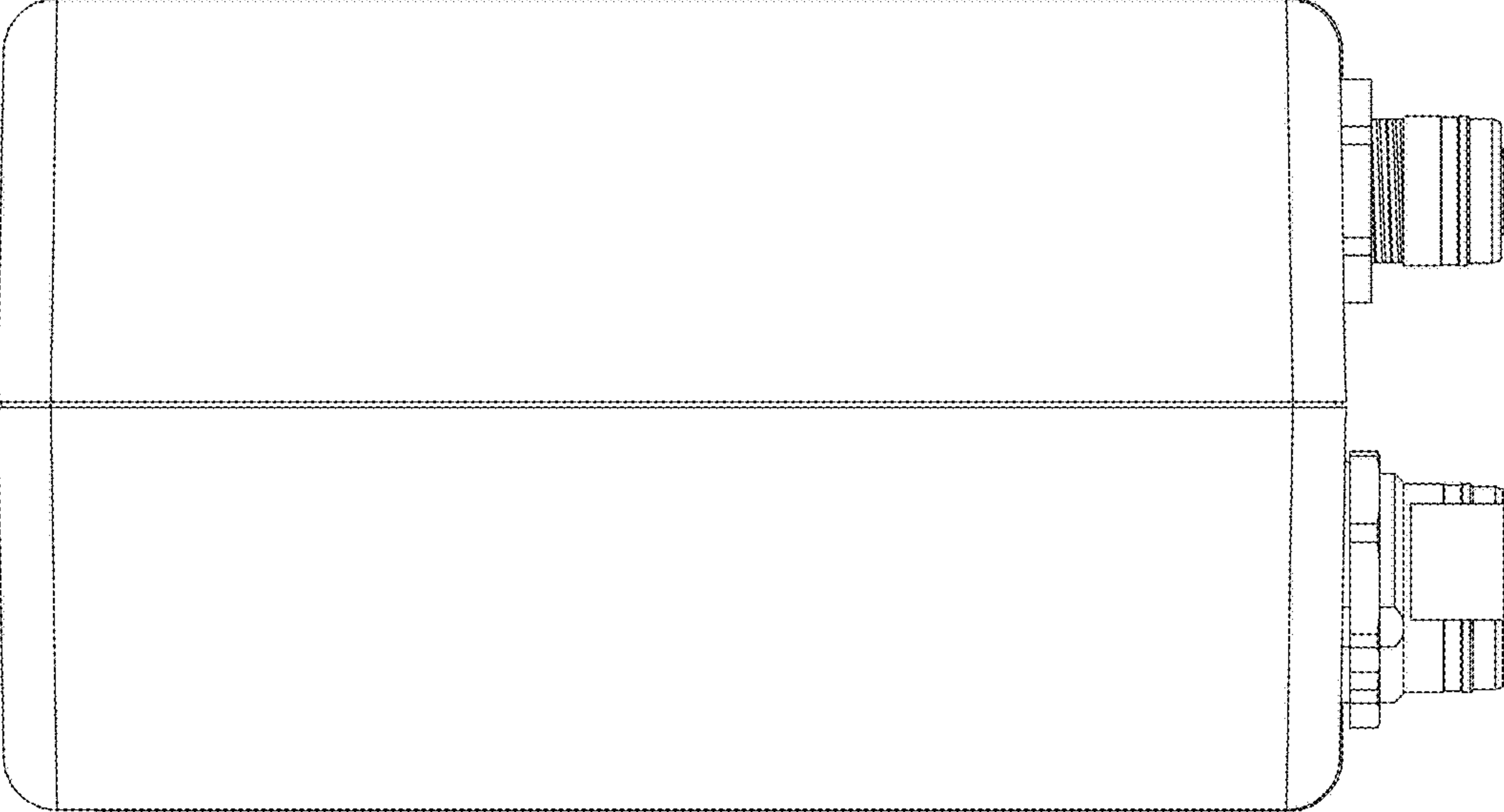


FIG. 7

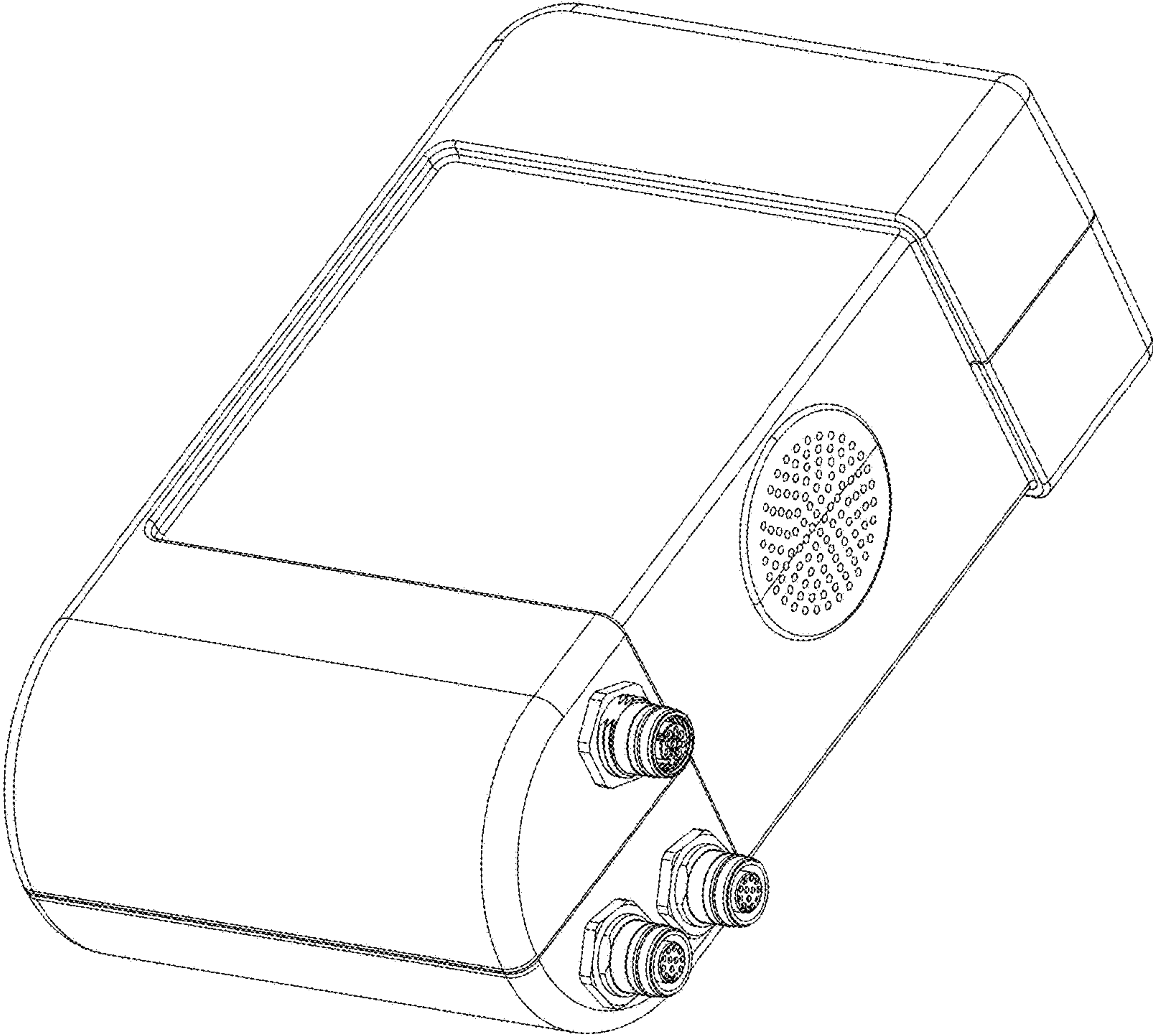


FIG. 8