



US00D800315S

(12) **United States Design Patent**  
**Crowley et al.**

(10) **Patent No.:** **US D800,315 S**

(45) **Date of Patent:** **\*\* Oct. 17, 2017**

(54) **TREATMENT TRAY**

(71) Applicant: **Sinsational Smile Inc.**, Santa Cruz, CA (US)

(72) Inventors: **James Crowley**, Santa Cruz, CA (US); **Robert Hernandez**, Redwood City, CA (US); **Christine Brooks**, Santa Cruz, CA (US)

(73) Assignee: **SINSATIONAL SMILE INC.**, Santa Cruz, CA (US)

(\*\*) Term: **15 Years**

(21) Appl. No.: **29/573,509**

(22) Filed: **Aug. 5, 2016**

(51) **LOC (10) Cl.** ..... **24-02**

(52) **U.S. Cl.**  
USPC ..... **D24/176; D24/181**

(58) **Field of Classification Search**  
USPC ..... D24/176-182, 152, 227; D29/108  
CPC ..... A61C 9/00; A61C 9/0006; A61C 19/00;  
A61C 19/006; A61C 19/066  
See application file for complete search history.

(56) **References Cited**

**U.S. PATENT DOCUMENTS**

D328,494 S *	8/1992	Schwendeman	.....	D24/176
5,336,086 A *	8/1994	Simmen	.....	A61C 9/0006
				433/37
5,551,872 A *	9/1996	Mena	.....	A61C 9/0006
				433/37
5,642,737 A *	7/1997	Parks	.....	A61F 5/566
				128/848
D383,845 S *	9/1997	Mitchell	.....	D24/181
6,964,568 B1 *	11/2005	Segal	.....	A61C 9/0006
				433/38

7,021,929 B2 *	4/2006	DiMarino	.....	A61C 9/0006
				433/37
D582,559 S *	12/2008	Khawaled	.....	D24/181
D631,550 S *	1/2011	Massad	.....	D24/181
D683,467 S *	5/2013	Jensen	.....	D24/181
2004/0214140 A1 *	10/2004	Fischer	.....	A61C 19/066
				433/215
2006/0019214 A1 *	1/2006	Lawrence	.....	A61C 19/066
				433/29
2015/0305838 A1 *	10/2015	Liebman	.....	A61C 9/0006
				433/41
2016/0250004 A1 *	9/2016	DiMarino	.....	A61C 9/0006

\* cited by examiner

*Primary Examiner* — Wan Laymon

(74) *Attorney, Agent, or Firm* — Omair M. Farooqui

(57) **CLAIM**

The ornamental design for a treatment tray, as shown and described.

**DESCRIPTION**

FIG. 1 is a front perspective view of a treatment tray according to a preferred embodiment of the present invention;

FIG. 2 is a rear perspective front elevational view thereof;

FIG. 3 is a front elevational view thereof;

FIG. 4 is a rear elevational view thereof;

FIG. 5 is a left side plan view thereof;

FIG. 6 is right side plan view thereof;

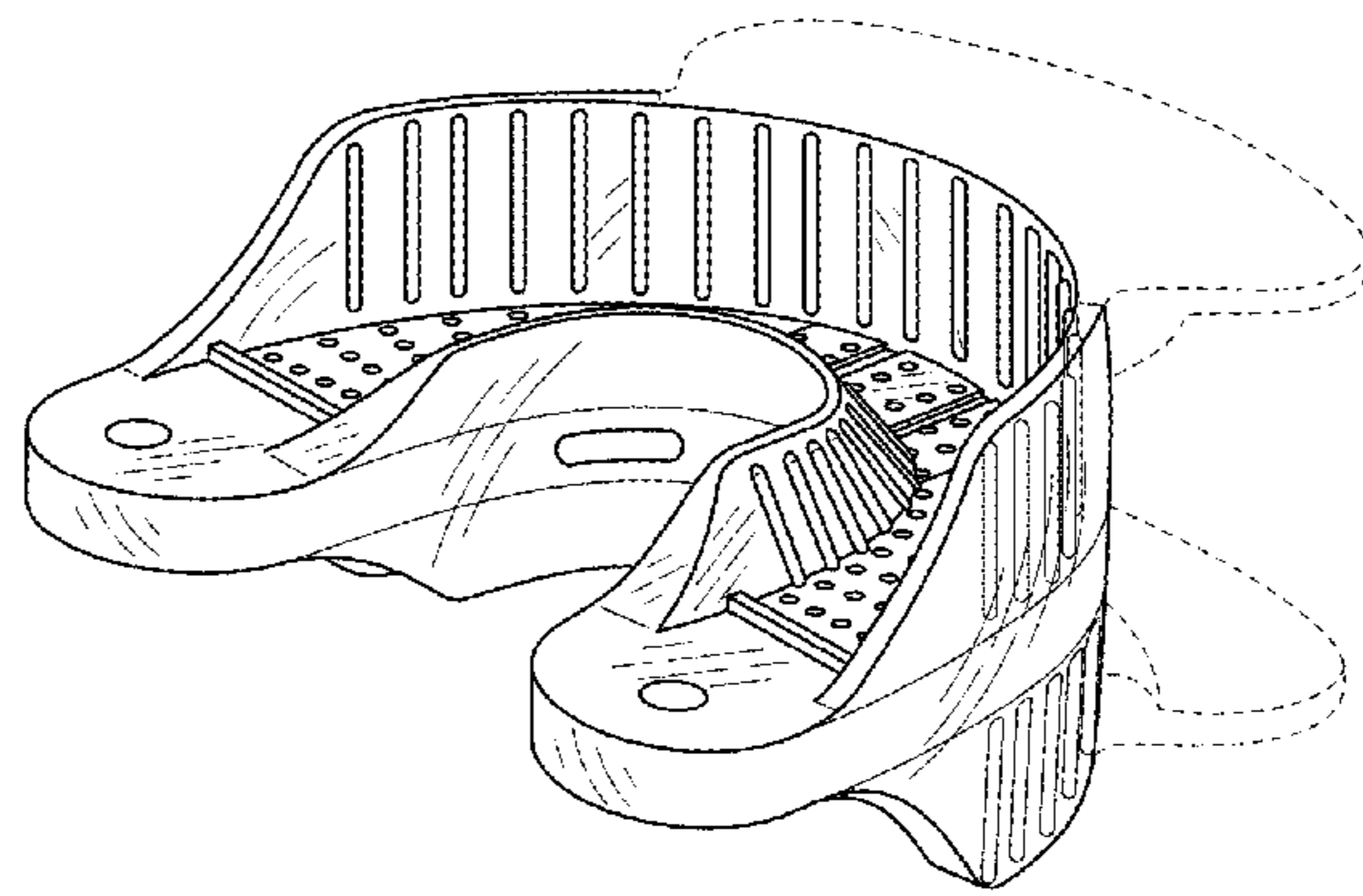
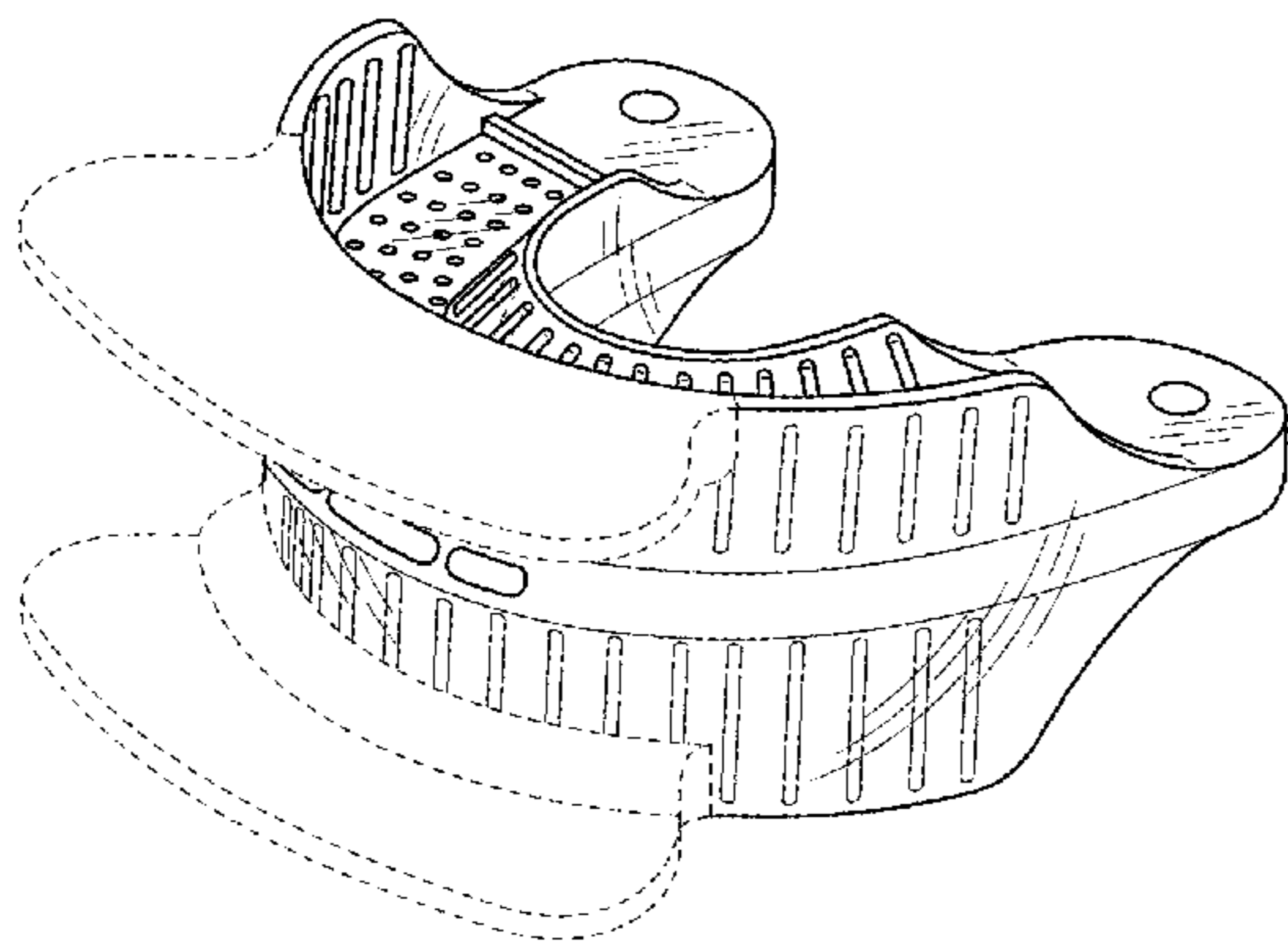
FIG. 7 is a top plan view thereof;

FIG. 8 is a bottom plan view thereof; and,

FIG. 9 is a cross sectional view taken in the direction of line 9-9 of FIG. 7.

The broken lines shown in FIGS. 1-9 are environmental only and form no part of the claimed design.

**1 Claim, 5 Drawing Sheets**



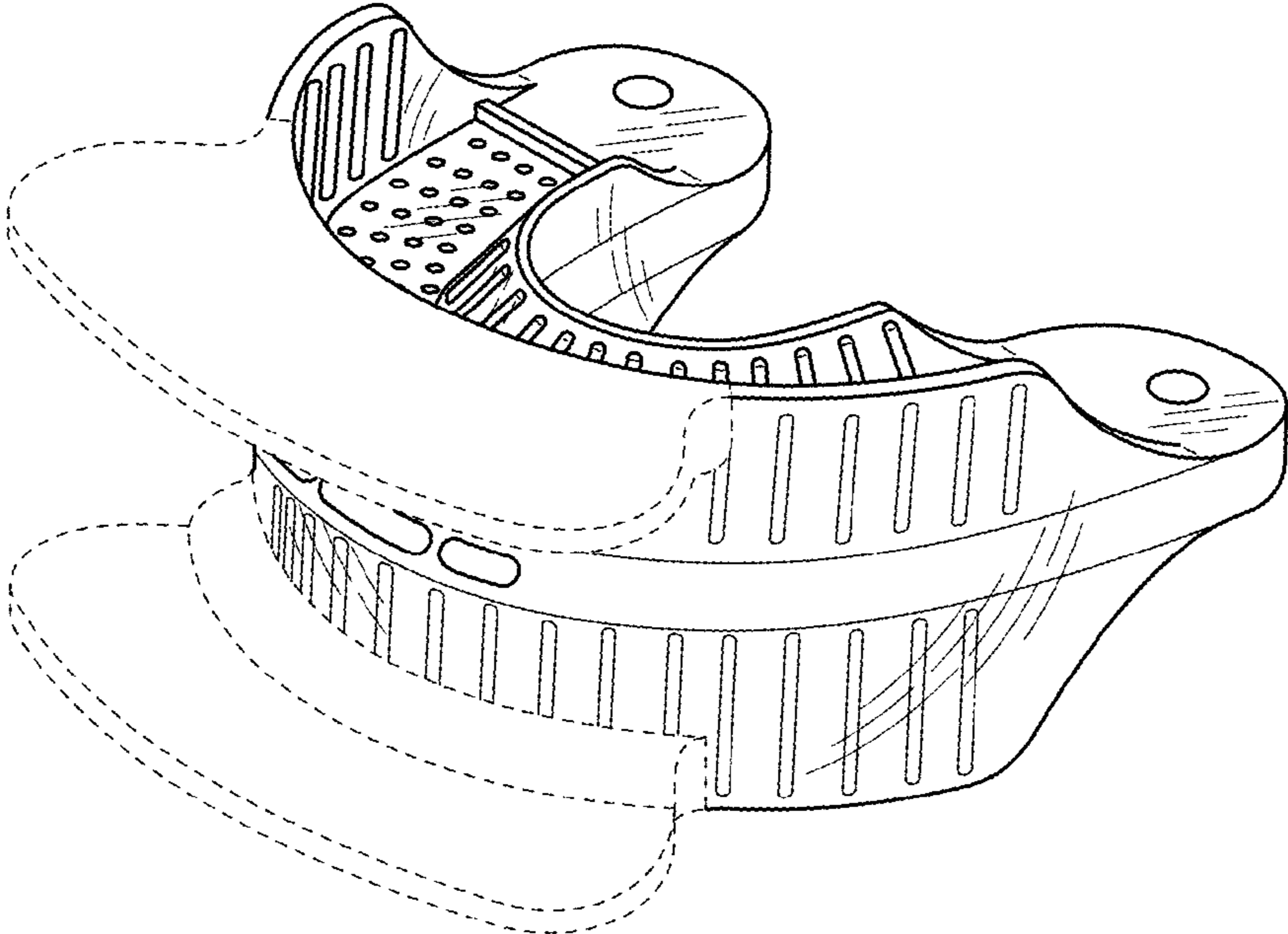


FIG. 1

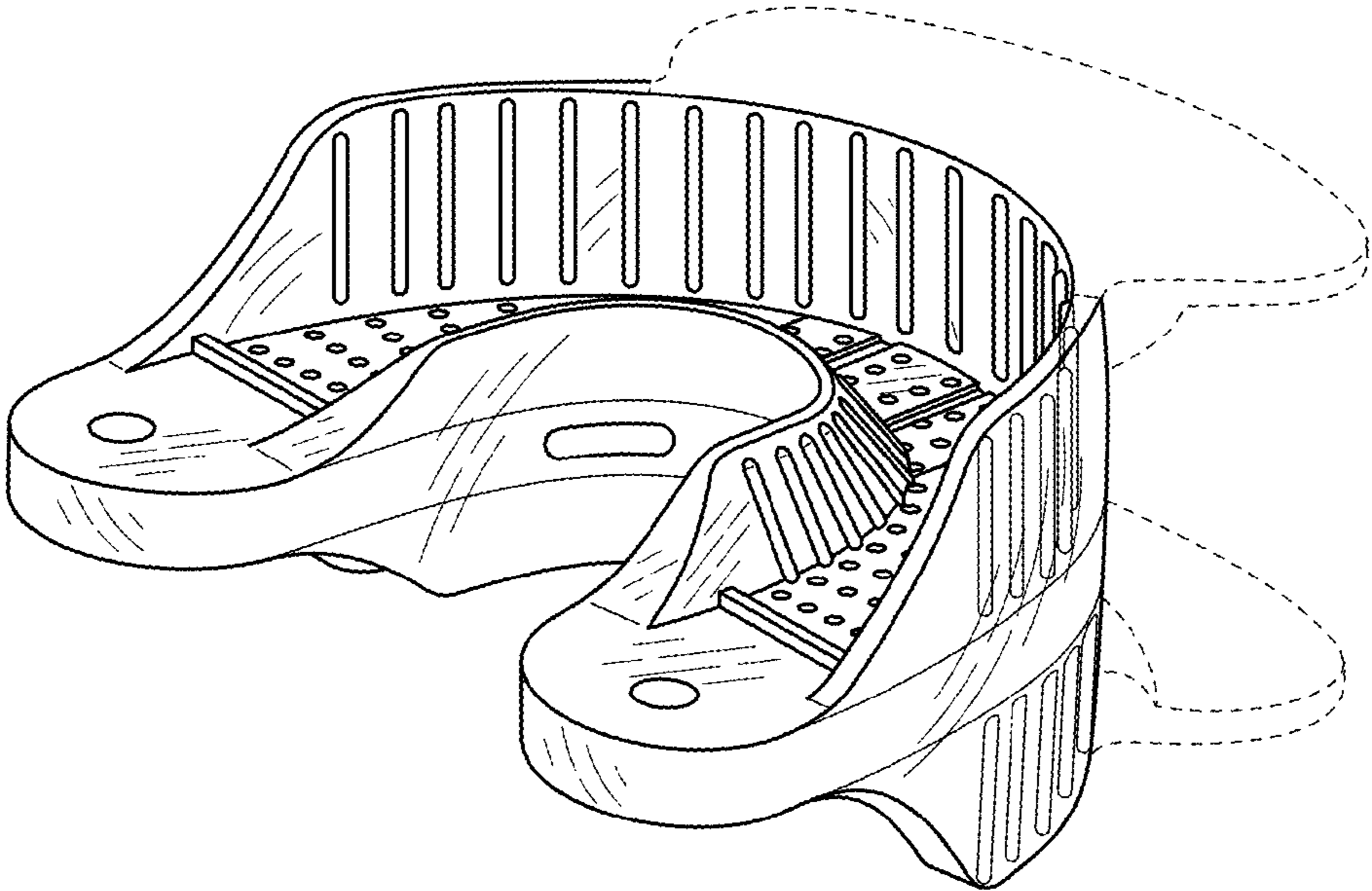


FIG. 2

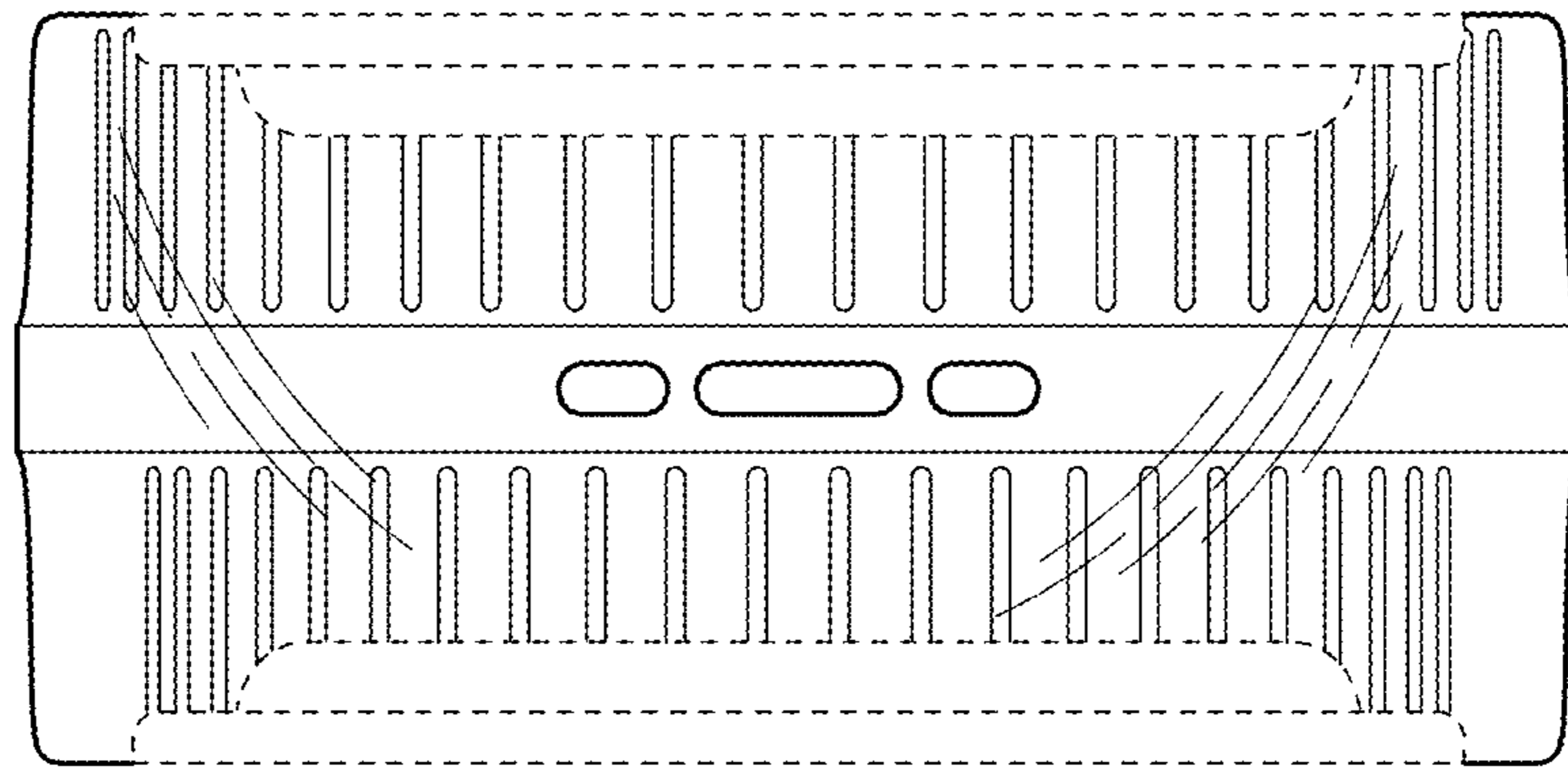


FIG. 3

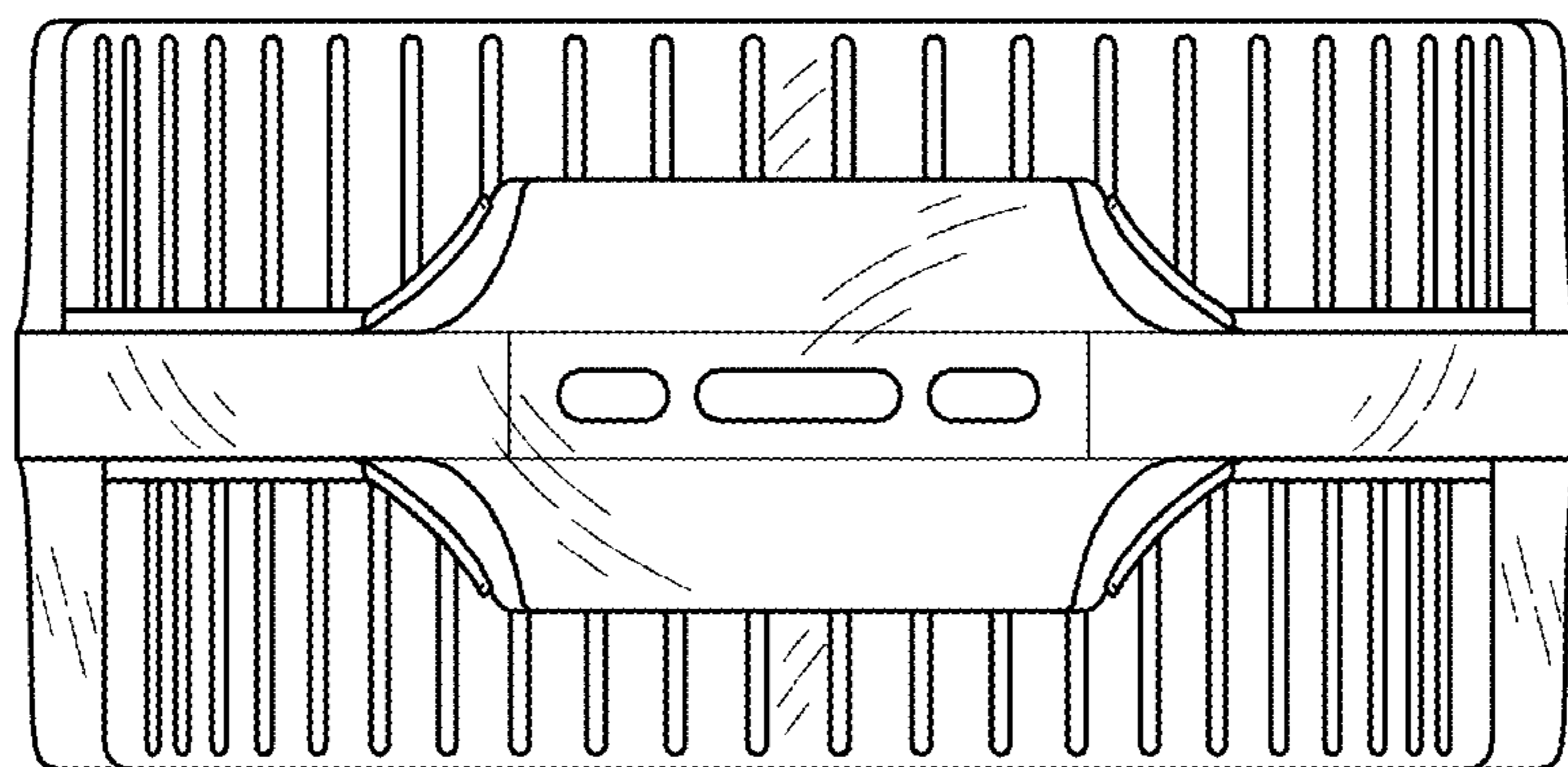


FIG. 4

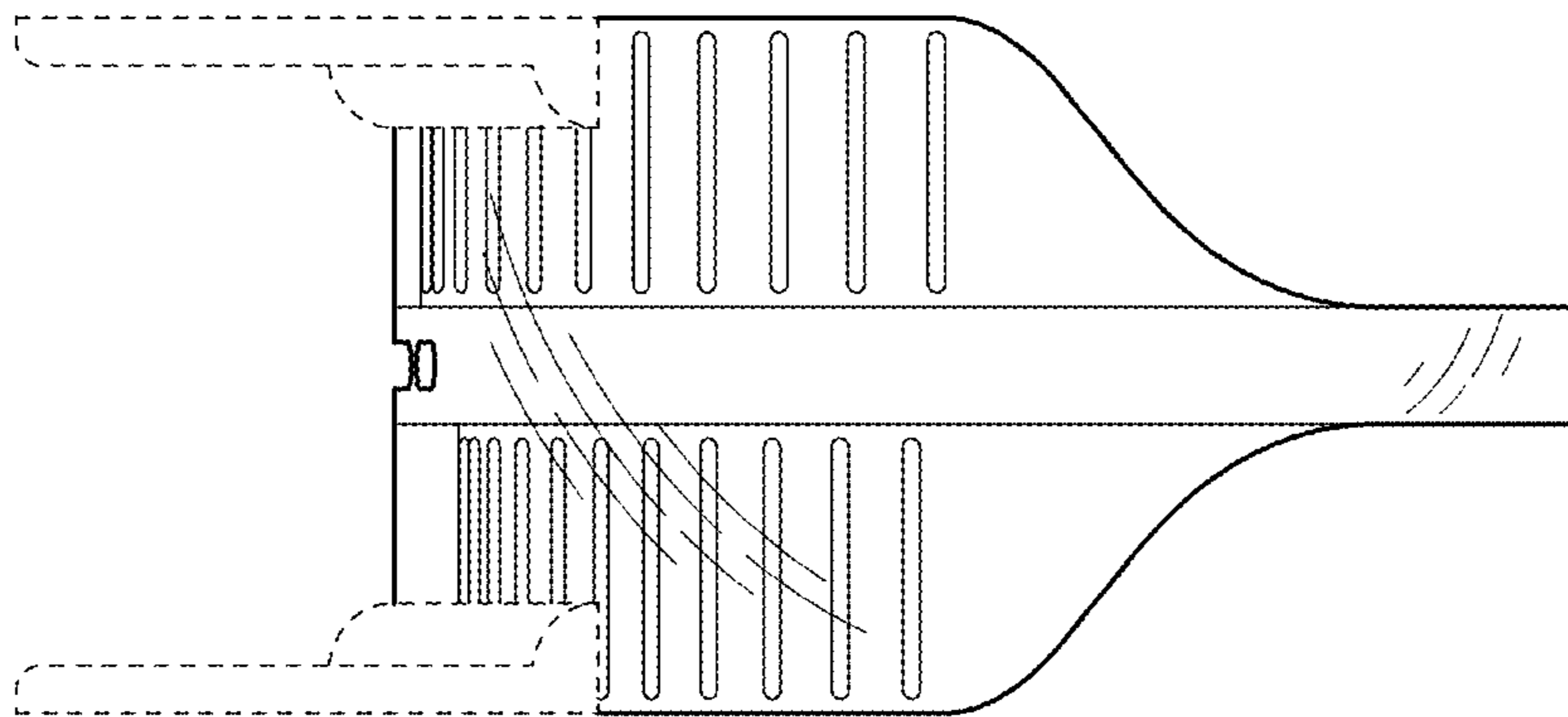


FIG. 5

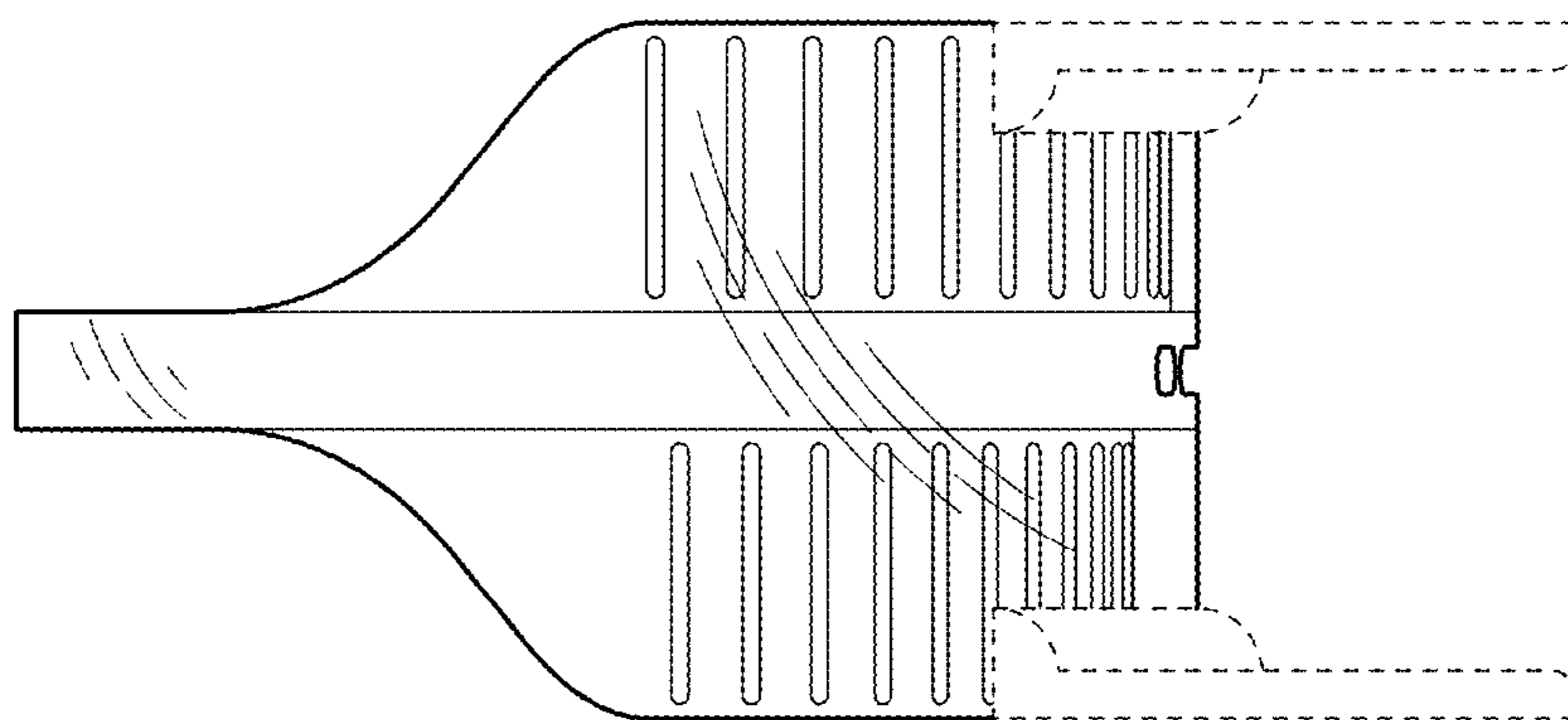


FIG. 6



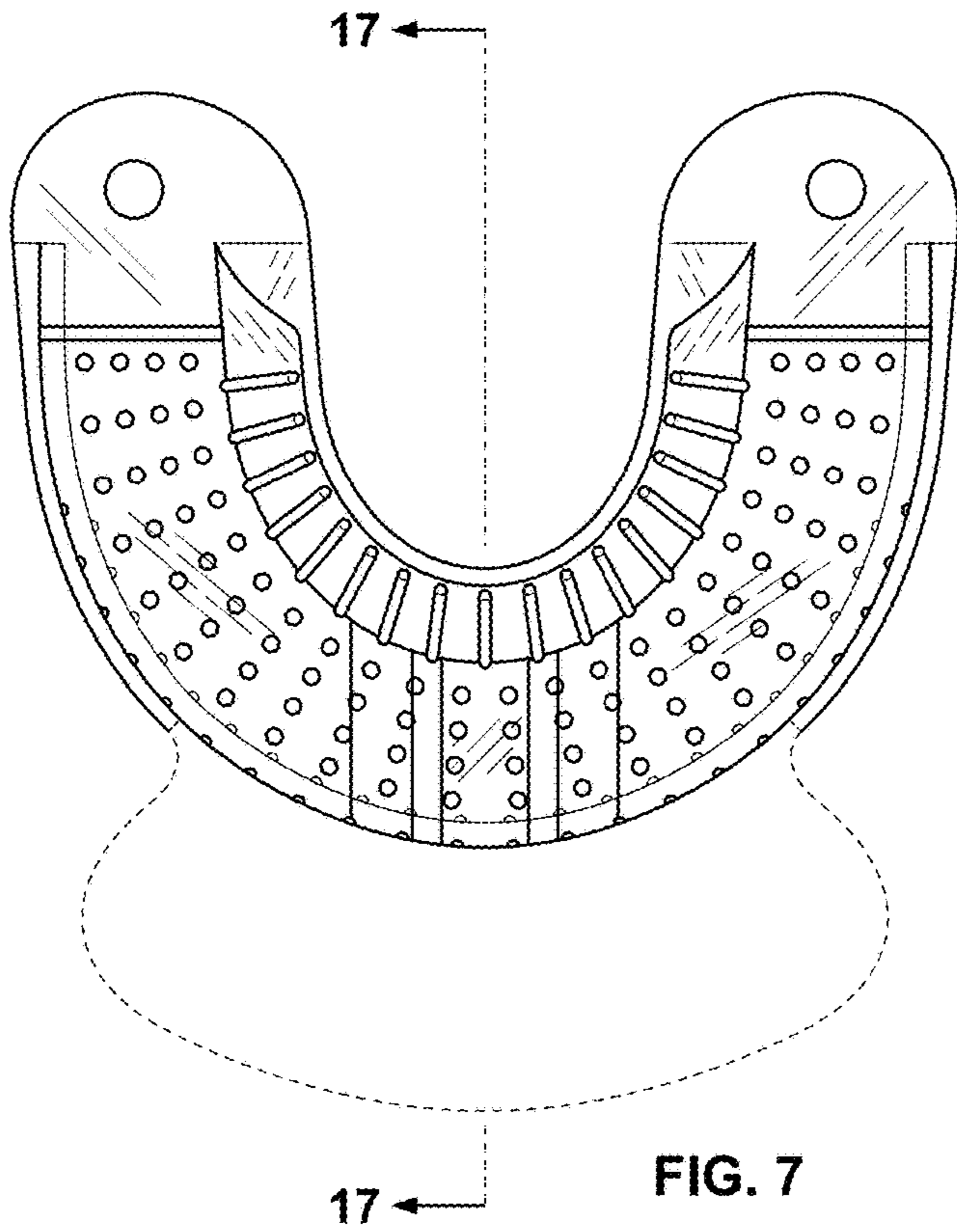


FIG. 7

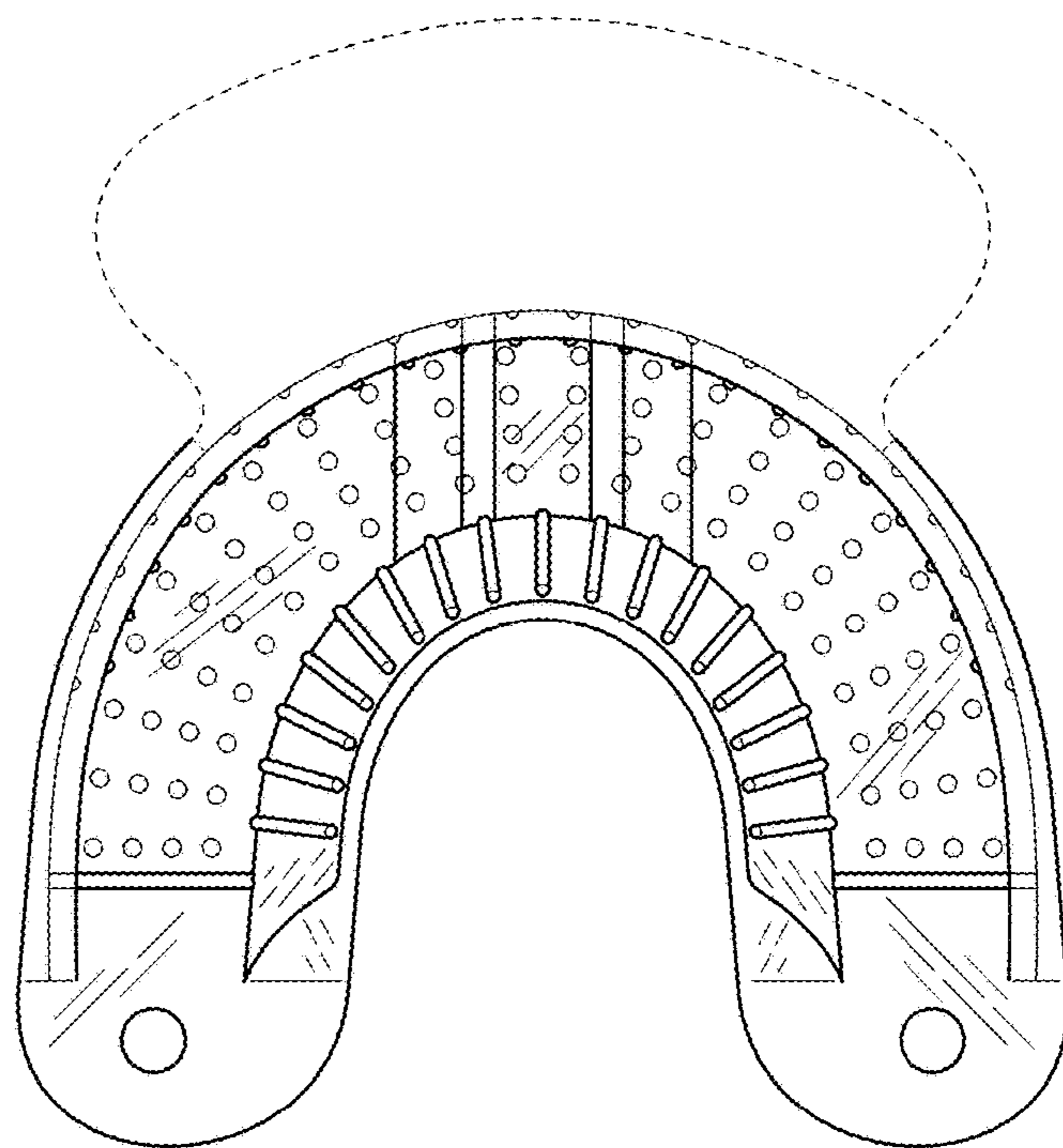


FIG. 8

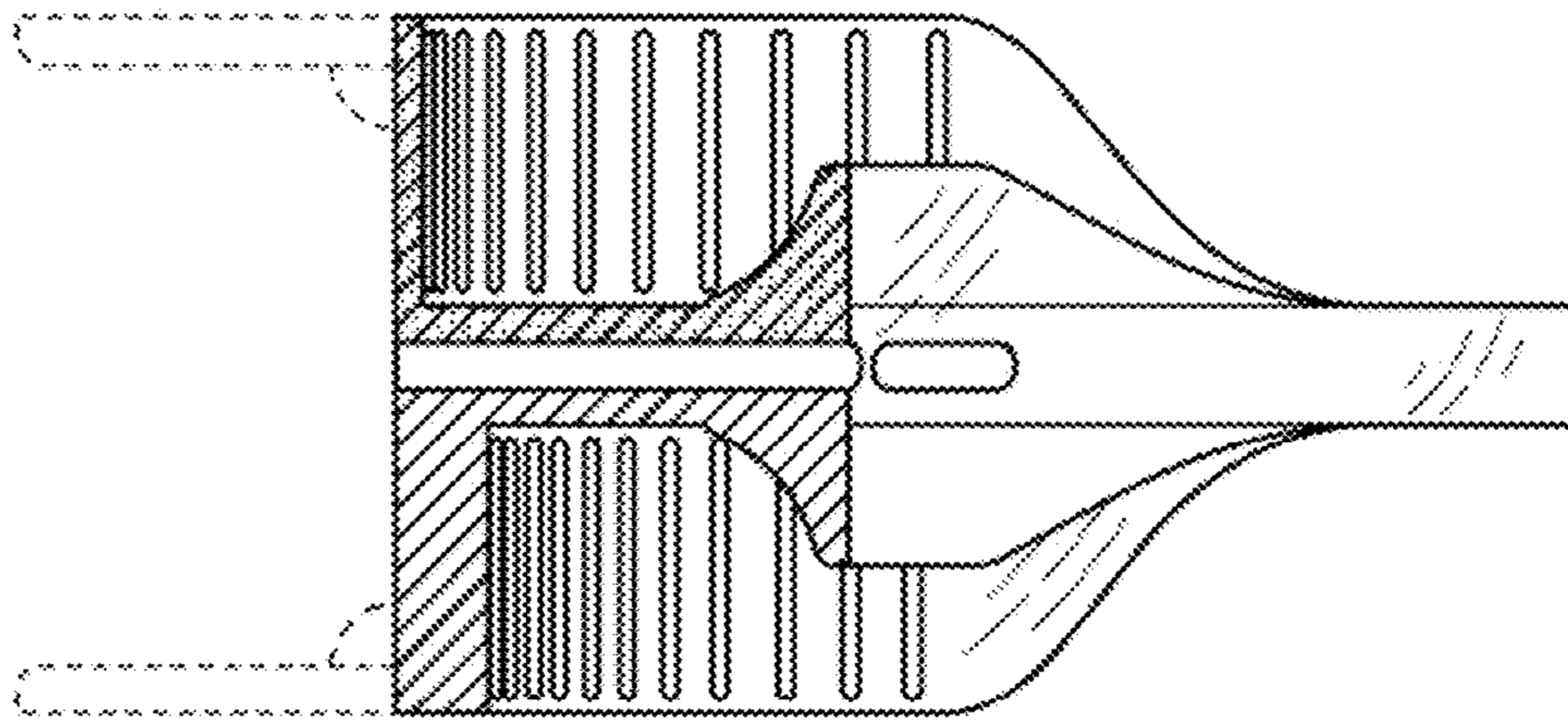


FIG. 9