



US00D800312S

(12) **United States Design Patent** (10) **Patent No.:** **US D800,312 S**
Nishiyama et al. (45) **Date of Patent:** **** Oct. 17, 2017**

(54) **SPHYGMOMANOMETER WITH WIRELESS COMMUNICATION DEVICE**

(71) Applicant: **OMRON HEALTHCARE Co., Ltd.**, Muko-shi, Kyoto (JP)

(72) Inventors: **Kengo Nishiyama**, Muko (JP); **Ryosuke Doi**, Muko (JP)

(73) Assignee: **OMRON HEALTHCARE Co., Ltd.**, Kyoto (JP)

(**) Term: **15 Years**

(21) Appl. No.: **29/569,173**

(22) Filed: **Jun. 24, 2016**

(30) **Foreign Application Priority Data**

Dec. 25, 2015 (JP) 2015-028984
Dec. 25, 2015 (JP) 2015-028986

(51) **LOC (10) Cl.** **24-02**

(52) **U.S. Cl.**
USPC **D24/166**

(58) **Field of Classification Search**
USPC D24/107, 164–168, 186; D10/1, 30–40, D10/70, 75, 78, 97, 98, 103; D11/3; D14/344, 511; 600/485, 490, 503
(Continued)

(56) **References Cited**

U.S. PATENT DOCUMENTS

D611,150 S * 3/2010 Omaki D24/165
D616,099 S * 5/2010 Shibata D24/165
(Continued)

FOREIGN PATENT DOCUMENTS

JP D1126575 11/2001

Primary Examiner — Wan Laymon

Assistant Examiner — Clint A Samuel

(74) *Attorney, Agent, or Firm* — Capitol City TechLaw

(57) **CLAIM**

The ornamental design for a sphygmomanometer with wireless communication device, as shown and described.

DESCRIPTION

FIG. 1 is a front, top, and right side perspective view of a first embodiment of a sphygmomanometer with wireless communication device showing our new design;
FIG. 2 is a rear, top, and left side perspective view thereof;
FIG. 3 is a rear, bottom, and left side perspective view thereof;
FIG. 4 is a front view thereof;
FIG. 5 is a rear view thereof;
FIG. 6 is a top view thereof;
FIG. 7 is a bottom view thereof;
FIG. 8 is a right side view thereof;
FIG. 9 is a left side view thereof;
FIG. 10 is a front, top, and right side perspective view showing a condition in which a buckle is detached from the back of a body thereof;
FIG. 11 is a rear, top, and left side perspective view showing a condition in which the buckle is detached from the back of the body thereof;
FIG. 12 is a rear, bottom, and left side perspective view showing a condition in which the buckle is detached from the back of the body thereof;
FIG. 13 is a front view showing a condition in which the buckle is detached from the back of the body thereof;
FIG. 14 is a rear view showing a condition in which the buckle is detached from the back of the body thereof;
FIG. 15 is a top view showing a condition in which the buckle is detached from the back of the body thereof;
FIG. 16 is a bottom view showing a condition in which the buckle is detached from the back of the body thereof;
FIG. 17 is a right side view showing a condition in which the buckle is detached from the back of the body thereof;
FIG. 18 is a left side view showing a condition in which the buckle is detached from the back of the body thereof;

(Continued)

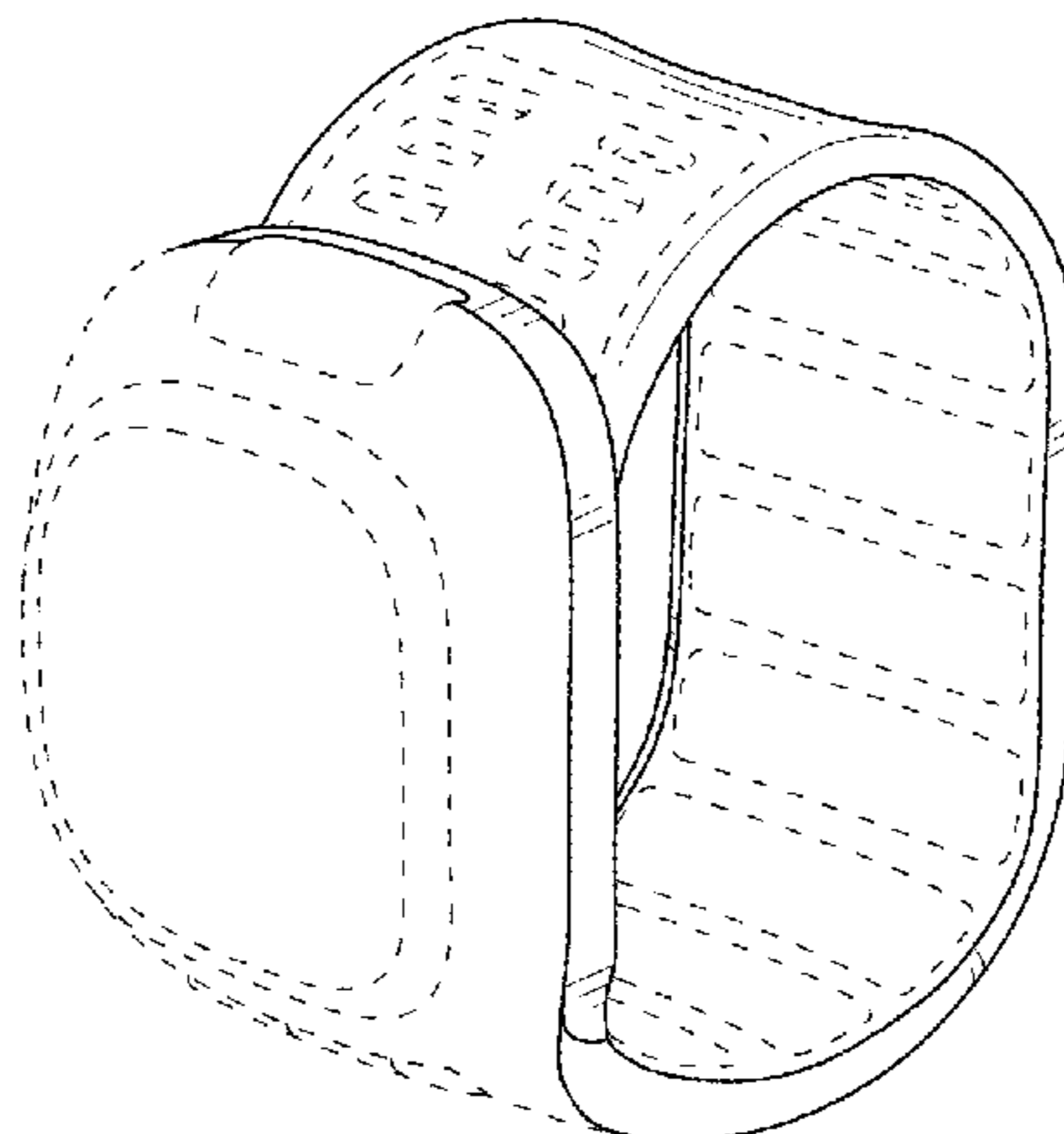


FIG. 19 is a front, top, and right side perspective view showing a condition in which the buckle is detached from the back of the body and a wristband thereof;

FIG. 20 is a rear, top, and right side perspective view showing a condition in which the buckle is detached from the back of the body and the wristband thereof;

FIG. 21 is a front view showing a condition in which the buckle is detached from the back of the body and the wristband thereof;

FIG. 22 is a top view showing a condition in which the buckle is detached from the back of the body and the wristband thereof;

FIG. 23 is a bottom view showing a condition in which the buckle is detached from the back of the body and the wristband thereof;

FIG. 24 is a right side view showing a condition in which the buckle is detached from the back of the body and the wristband thereof;

FIG. 25 is a front, top, and right side perspective view of a second embodiment of a sphygmomanometer with wireless communication device showing our new design;

FIG. 26 is a rear, top, and left side perspective view thereof;

FIG. 27 is a rear, bottom, and left side perspective view thereof;

FIG. 28 is a front view thereof;

FIG. 29 is a rear view thereof;

FIG. 30 is a top view thereof;

FIG. 31 is a bottom view thereof;

FIG. 32 is a right side view thereof;

FIG. 33 is a left side view thereof;

FIG. 34 is a front, top, and right side perspective view showing a condition in which a buckle is detached from the back of a body thereof;

FIG. 35 is a rear, top, and left side perspective view showing a condition in which the buckle is detached from the back of the body thereof;

FIG. 36 is a rear, bottom, and left side perspective view showing a condition in which the buckle is detached from the back of the body thereof;

FIG. 37 is a front view showing a condition in which the buckle is detached from the back of the body thereof;

FIG. 38 is a rear view showing a condition in which the buckle is detached from the back of the body thereof;

FIG. 39 is a top view showing a condition in which the buckle is detached from the back of the body thereof;

FIG. 40 is a bottom view showing a condition in which the buckle is detached from the back of the body thereof;

FIG. 41 is a right side view showing a condition in which the buckle is detached from the back of the body thereof;

FIG. 42 is a left side view showing a condition in which the buckle is detached from the back of the body thereof;

FIG. 43 is a front, top, and right side perspective view showing a condition in which the buckle is detached from the back of the body and a wristband thereof;

FIG. 44 is a rear, top, and right side perspective view showing a condition in which the buckle is detached from the back of the body and the wristband thereof;

FIG. 45 is a front view showing a condition in which the buckle is detached from the back of the body and the wristband thereof;

FIG. 46 is a top view showing a condition in which the buckle is detached from the back of the body and the wristband thereof;

FIG. 47 is a bottom view showing a condition in which the buckle is detached from the back of the body and the wristband thereof; and,

FIG. 48 is a right side view showing a condition in which the buckle is detached from the back of the body and the wristband thereof.

The dashed broken lines shown in the figures illustrate portions of the sphygmomanometer with wireless communication device that form no part of the claimed design, and the dot-dash broken lines shown in the figures represent unclaimed boundaries.

1 Claim, 48 Drawing Sheets

(58) **Field of Classification Search**

CPC A41B 5/0402; A41B 5/0404; A41B 5/021;
A41B 5/024; A41B 5/02438; A41B 5/81;
A41B 5/22; A41B 5/0225; A41B 5/681;
A41B 5/0008; A41B 5/02141; A41B
5/742; A41B 2650/00

See application file for complete search history.

(56) **References Cited**

U.S. PATENT DOCUMENTS

D637,094	S	*	5/2011	Cobbett	D10/32
D637,506	S	*	5/2011	Toyoshima	D10/70
D645,360	S	*	9/2011	Kiser	D10/32
D711,002	S	*	8/2014	Ohnemus	D24/186
D720,074	S	*	12/2014	Suvilaakso	D24/167
D721,292	S	*	1/2015	Choi	D10/70
D729,657	S	*	5/2015	Behar	D10/70
D729,658	S	*	5/2015	Behar	D10/70
D734,176	S	*	7/2015	Isaacs	D10/30
D738,759	S	*	9/2015	Behar	D10/39
D740,140	S	*	10/2015	Behar	D10/39
D740,702	S	*	10/2015	Behar	D10/39
D740,703	S	*	10/2015	Behar	D10/39
D742,529	S	*	11/2015	Huffman	D24/186
D744,356	S	*	12/2015	Akana	D10/70
D745,421	S	*	12/2015	Akana	D10/32
D746,477	S	*	12/2015	Cha	D24/186
D747,714	S	*	1/2016	Erbeus	D10/32
D749,002	S	*	2/2016	Park	D10/70
D751,069	S	*	3/2016	Choi	D10/32
D757,583	S	*	5/2016	Roush	D10/70
D760,391	S	*	6/2016	Eshita	D24/165
D766,758	S	*	9/2016	Park	D10/70
D767,769	S	*	9/2016	Suvilaakso	D24/186
D772,867	S	*	11/2016	Park	D10/39
D772,868	S	*	11/2016	Park	D10/39
D772,871	S	*	11/2016	Park	D14/138 R
D773,052	S	*	11/2016	Wimmer, IV	D10/103
D777,590	S	*	1/2017	Nielsen	D10/39
D779,989	S	*	2/2017	Lee	D10/70
D786,241	S	*	5/2017	Chuang	D14/344
D789,929	S	*	6/2017	Tan	D14/344

* cited by examiner

Fig.1

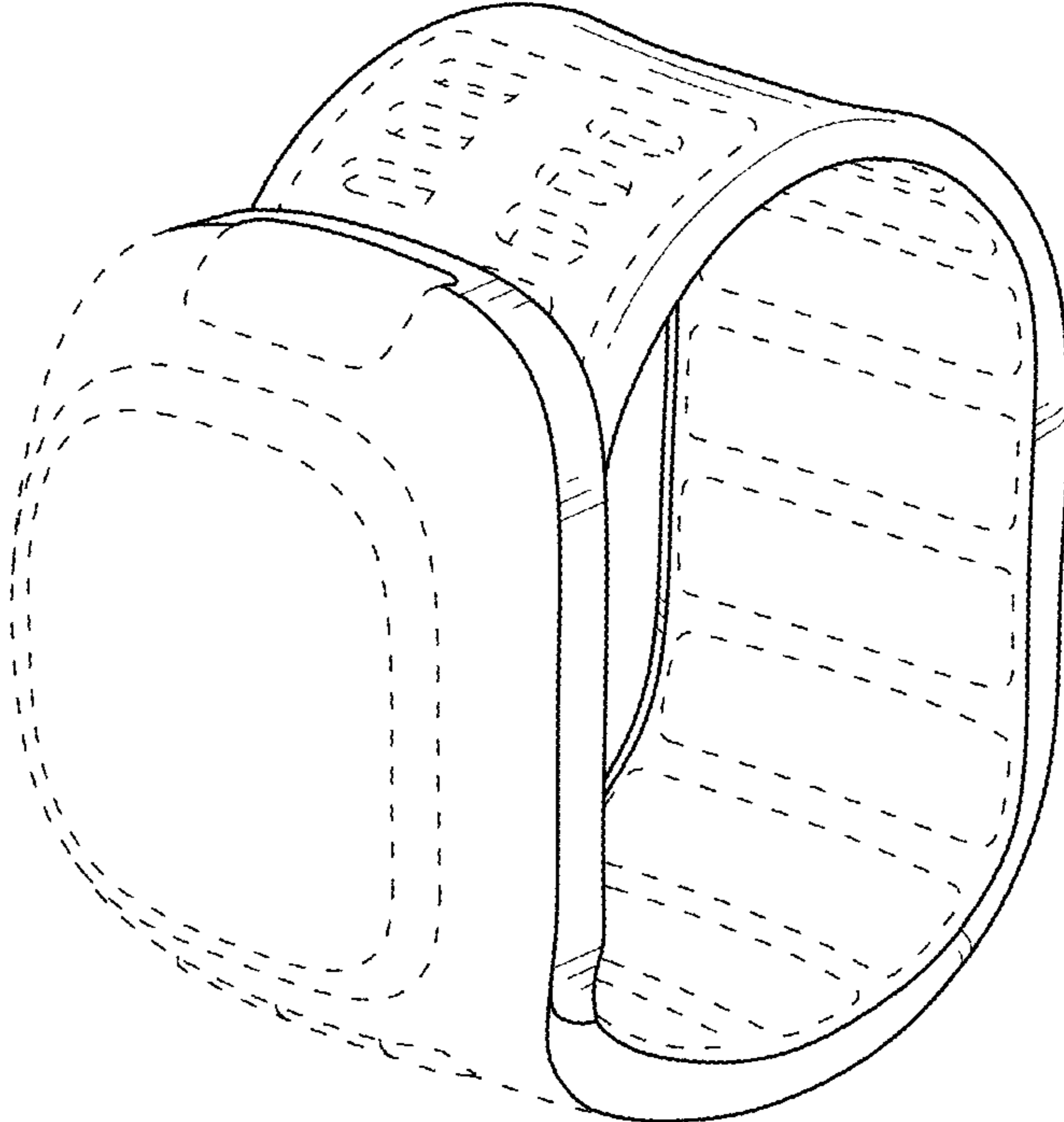


Fig.2

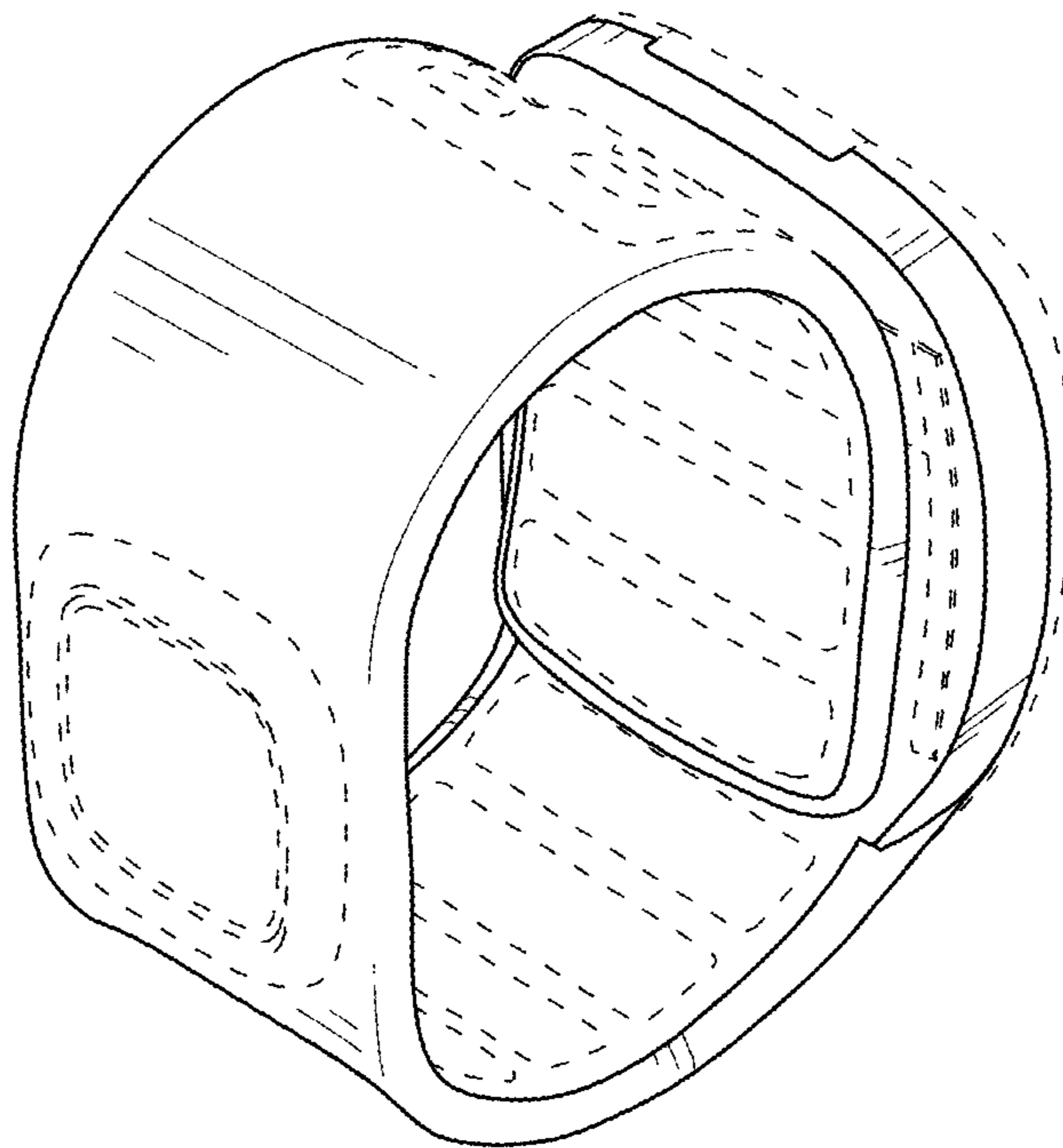


Fig.3

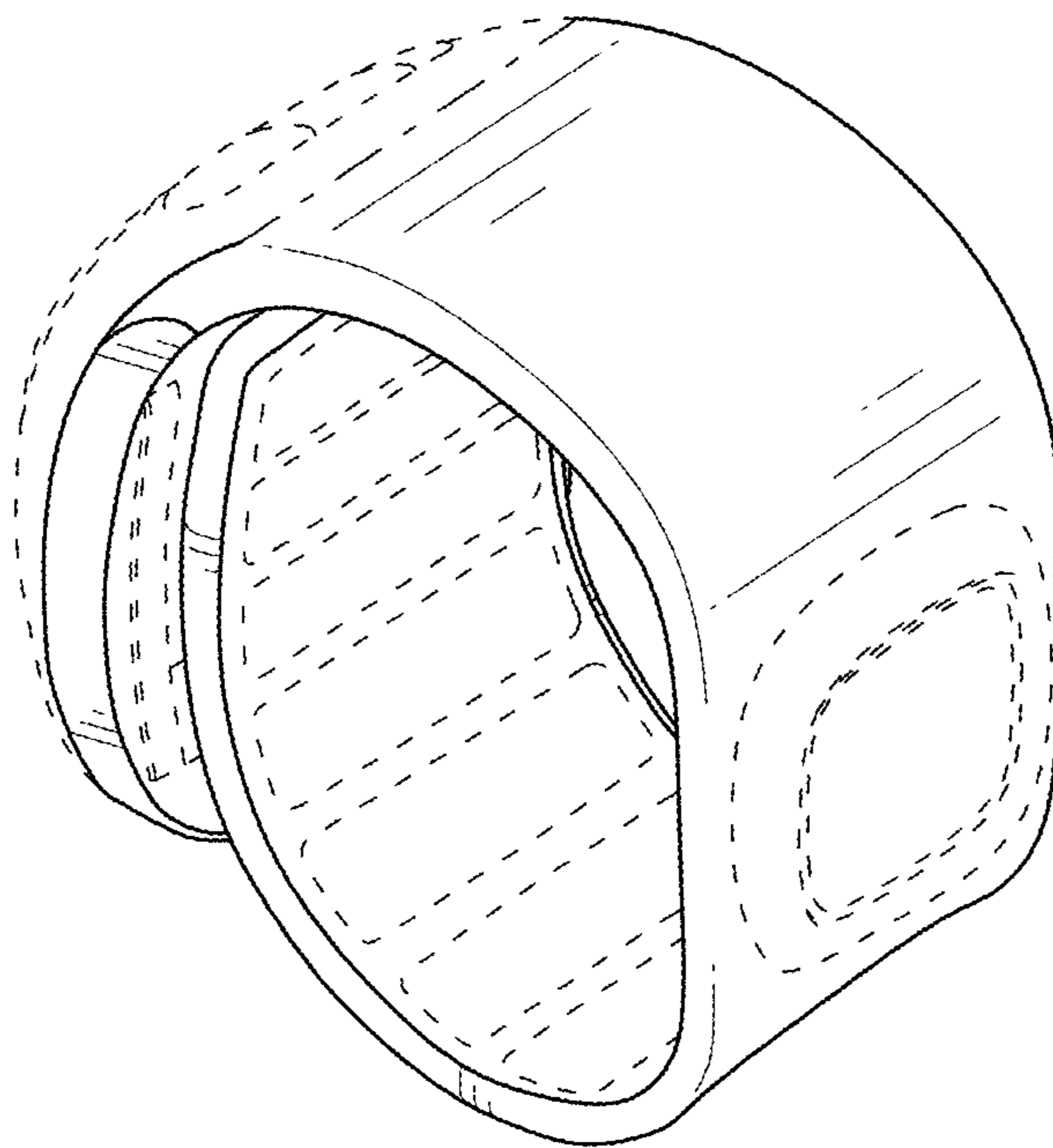


Fig.4

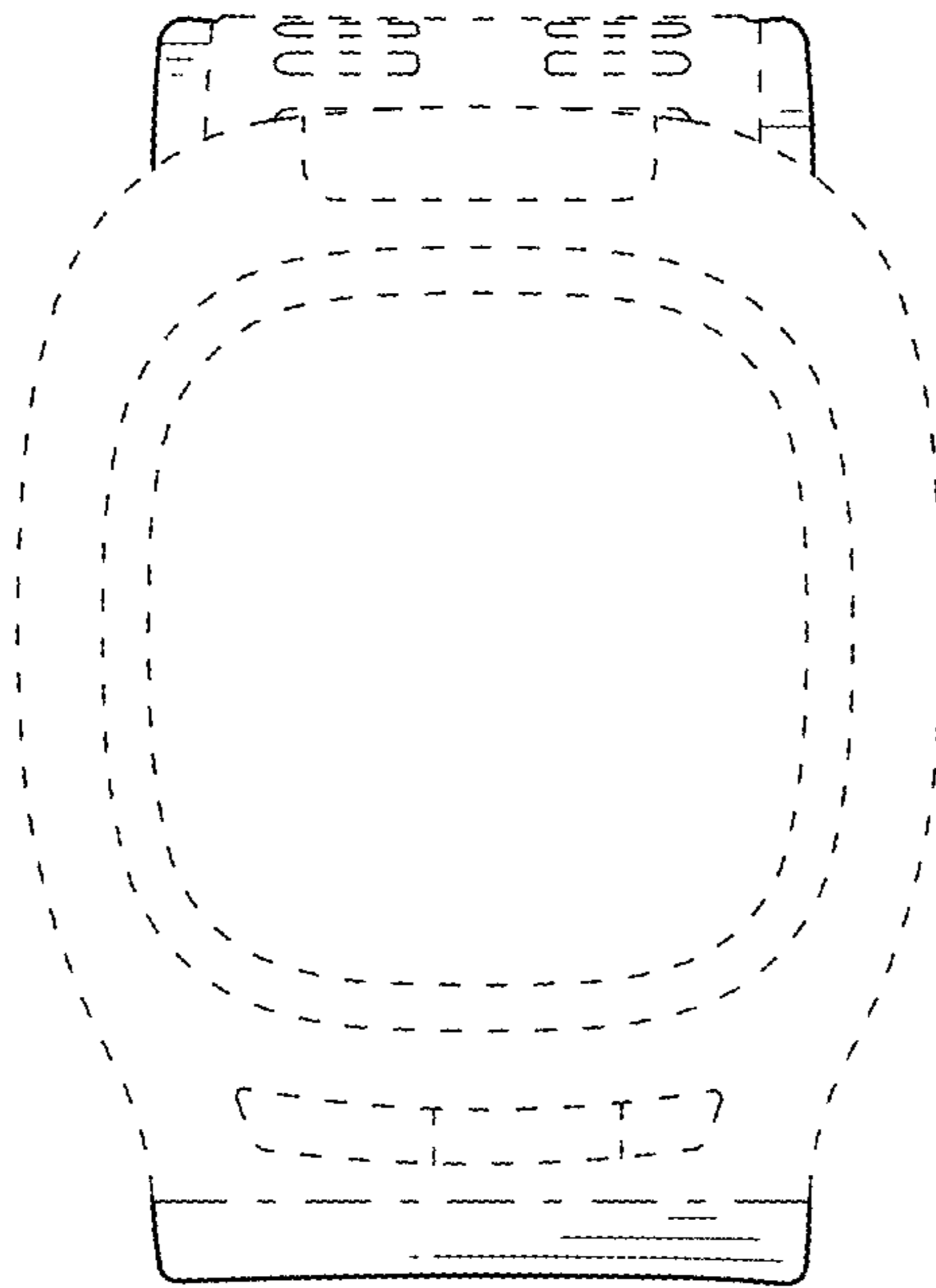


Fig.5

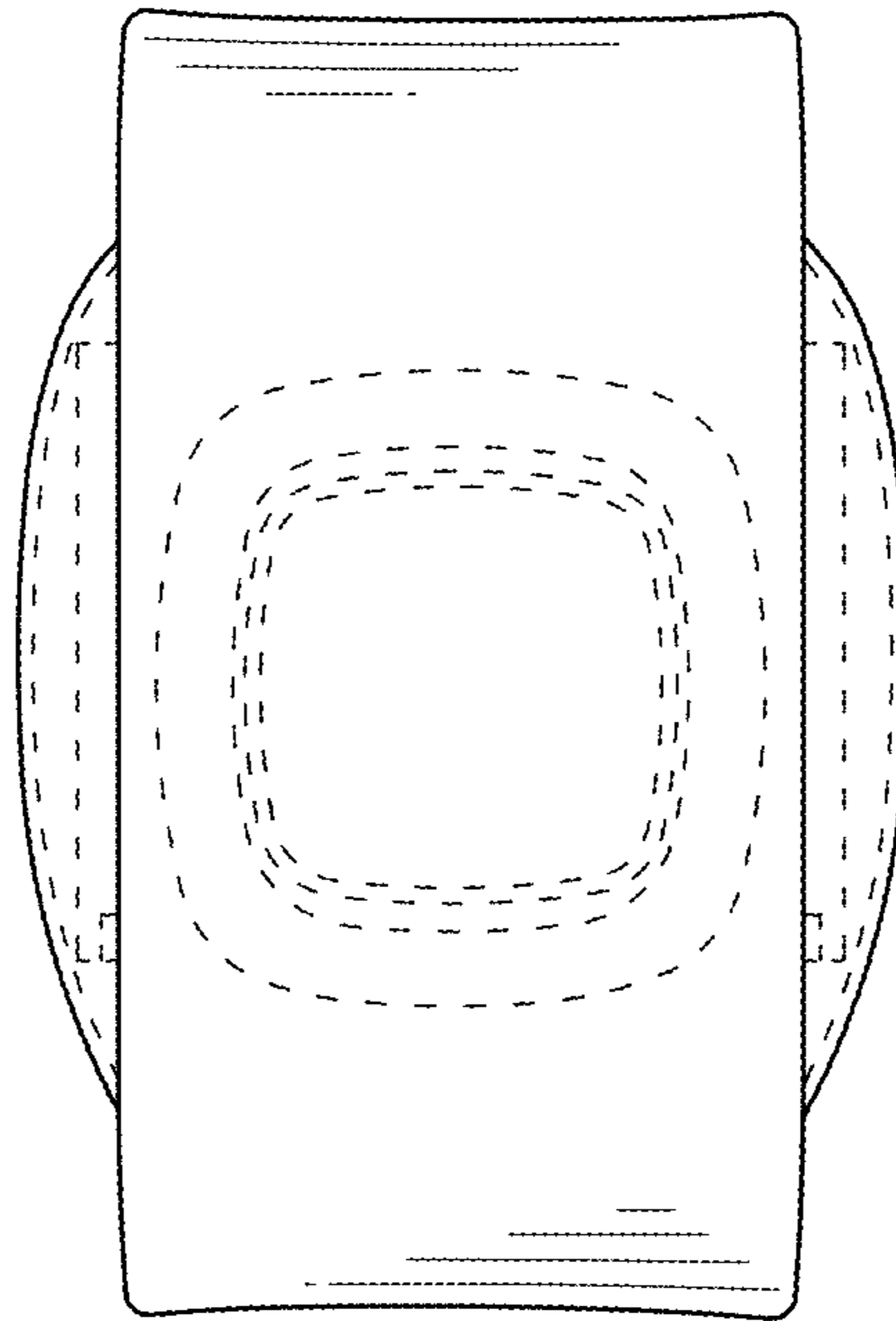


Fig.6

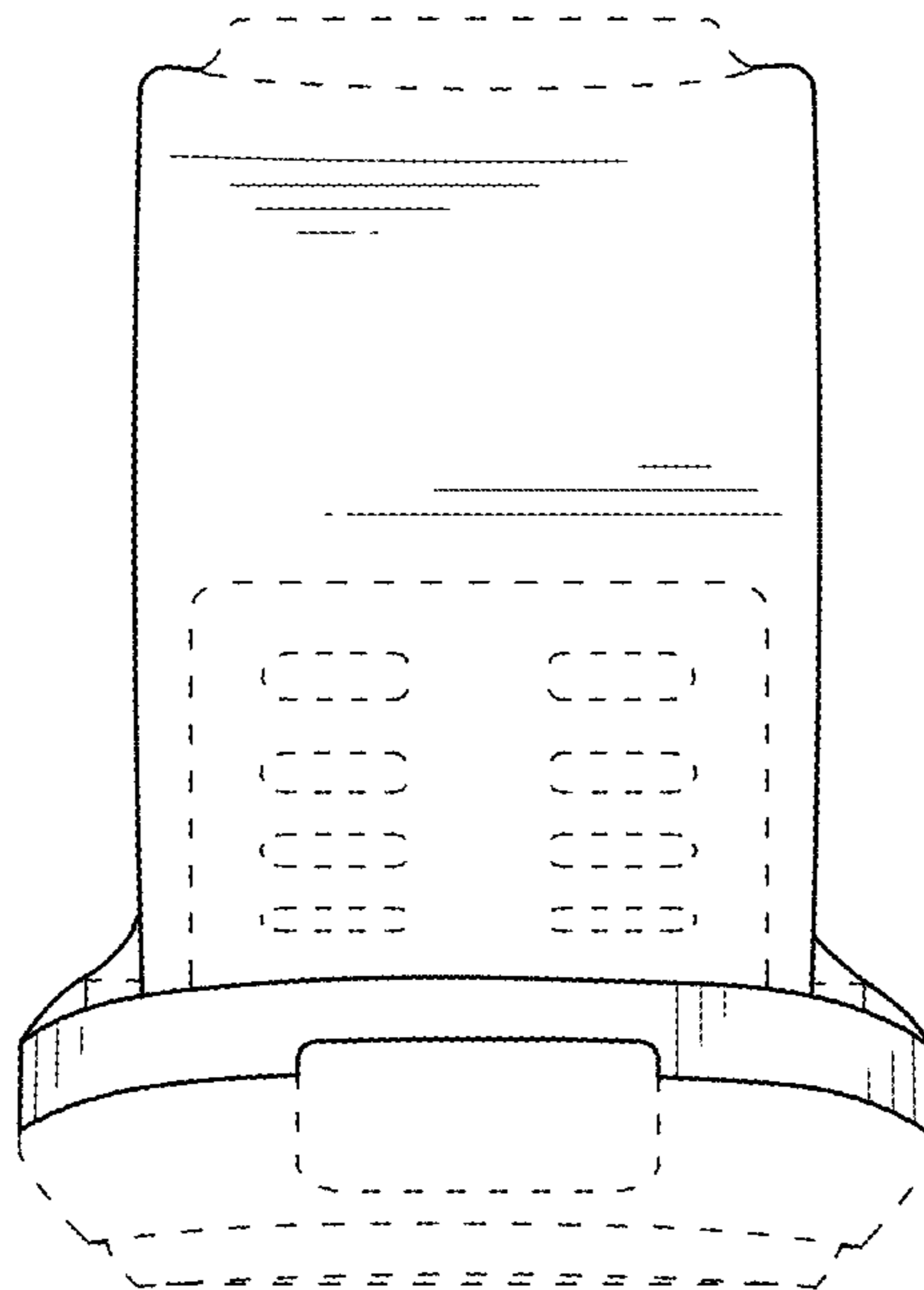


Fig. 7

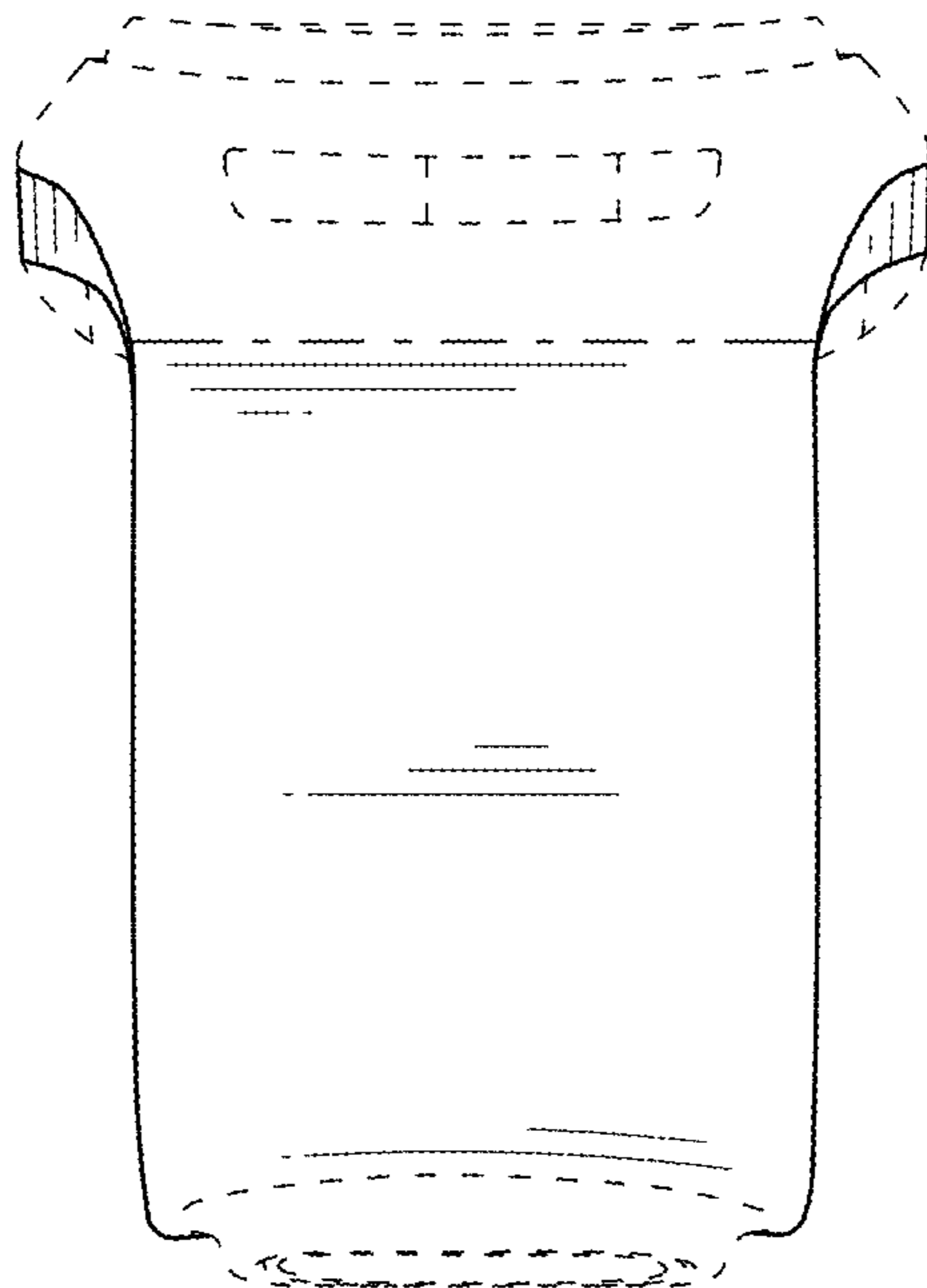


Fig.8

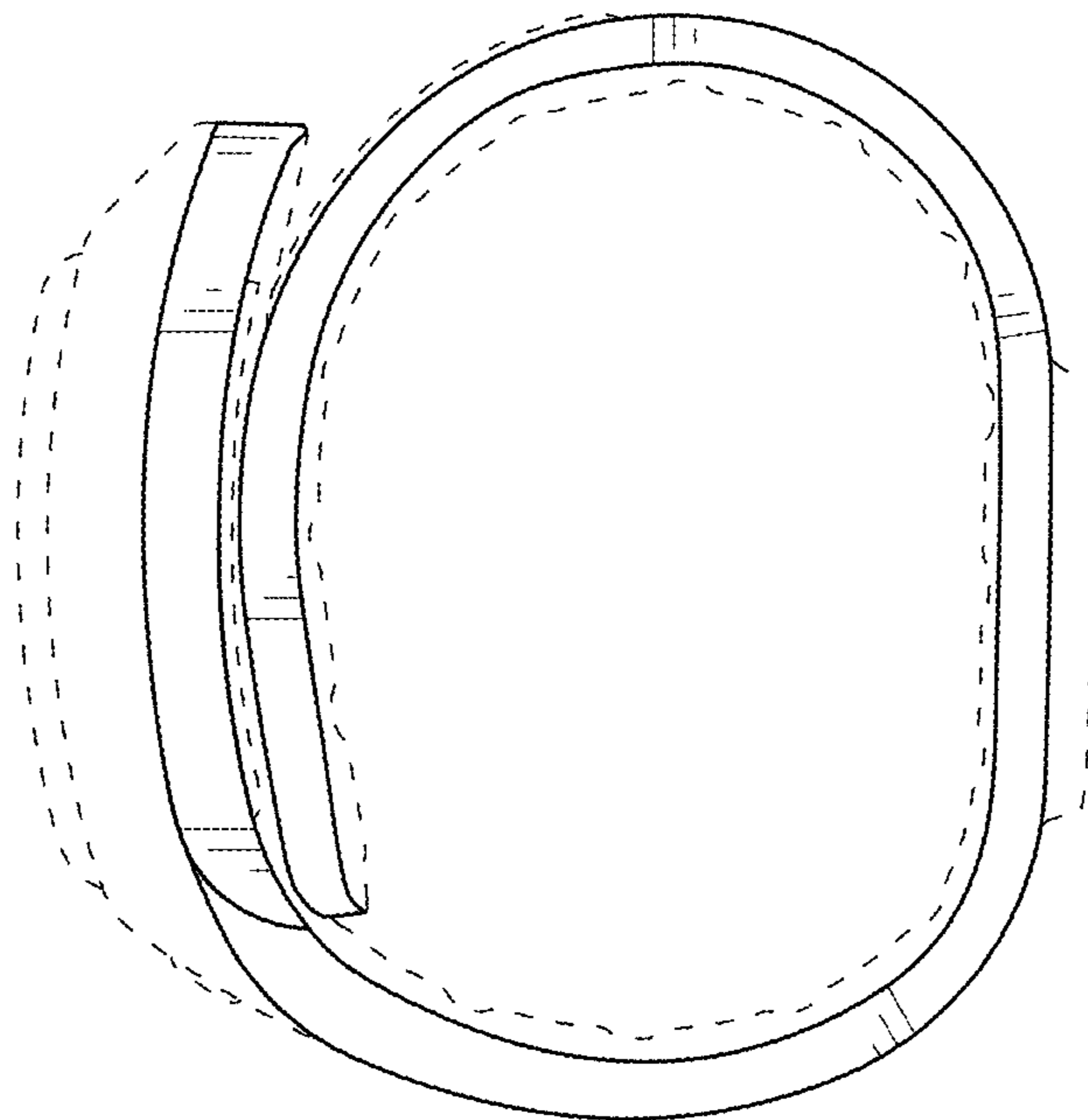


Fig.9

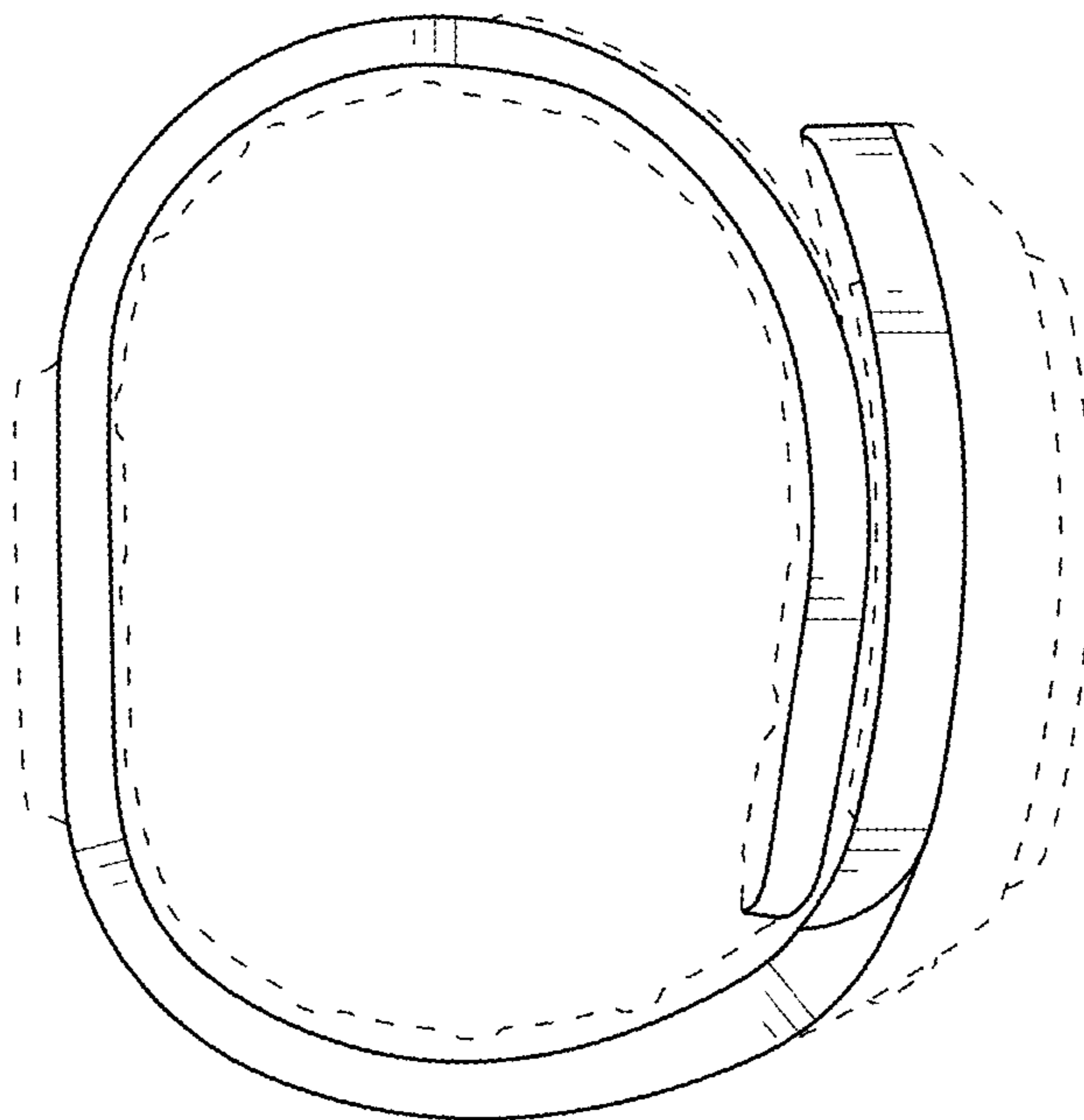


Fig.10

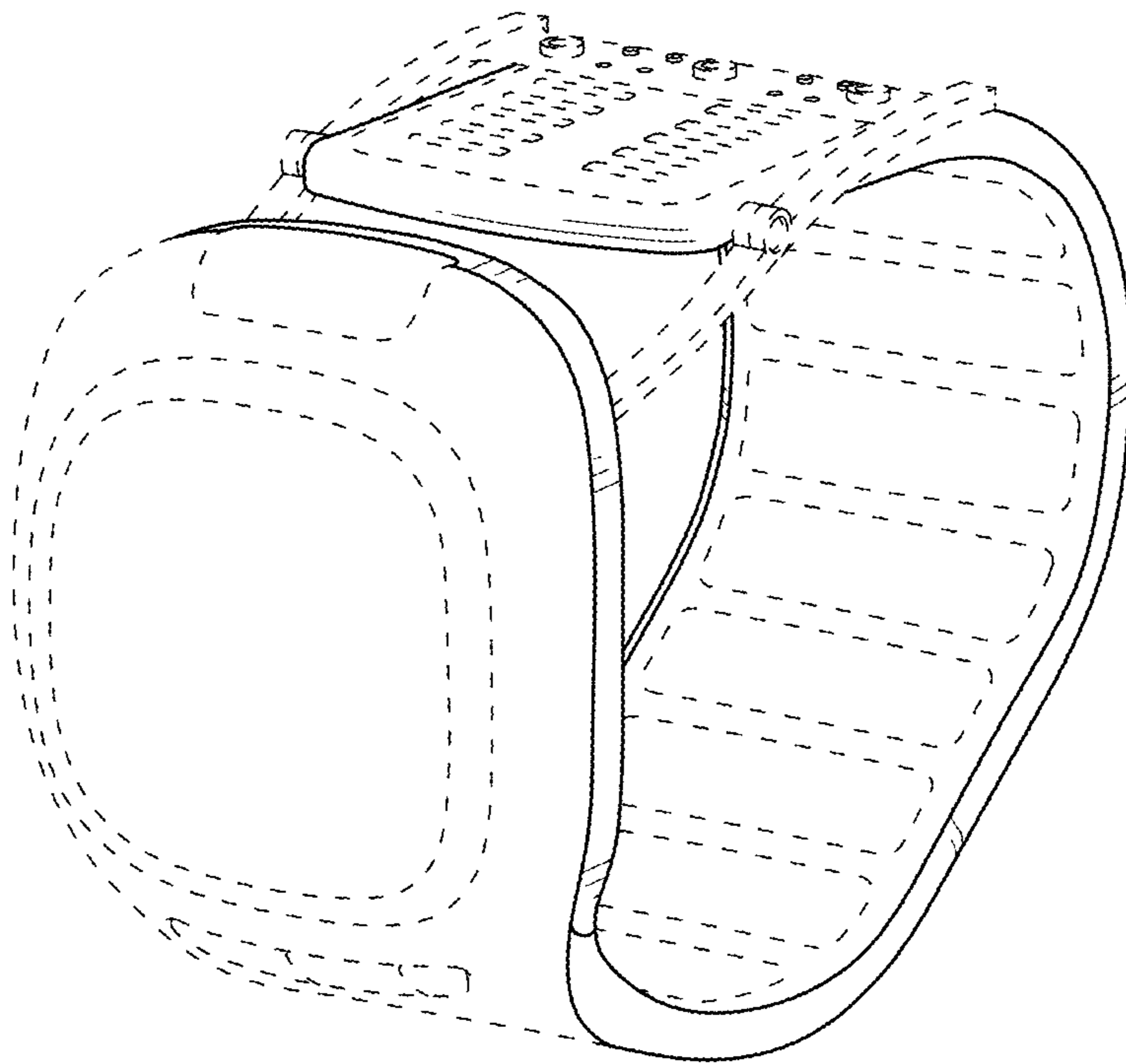


Fig.11

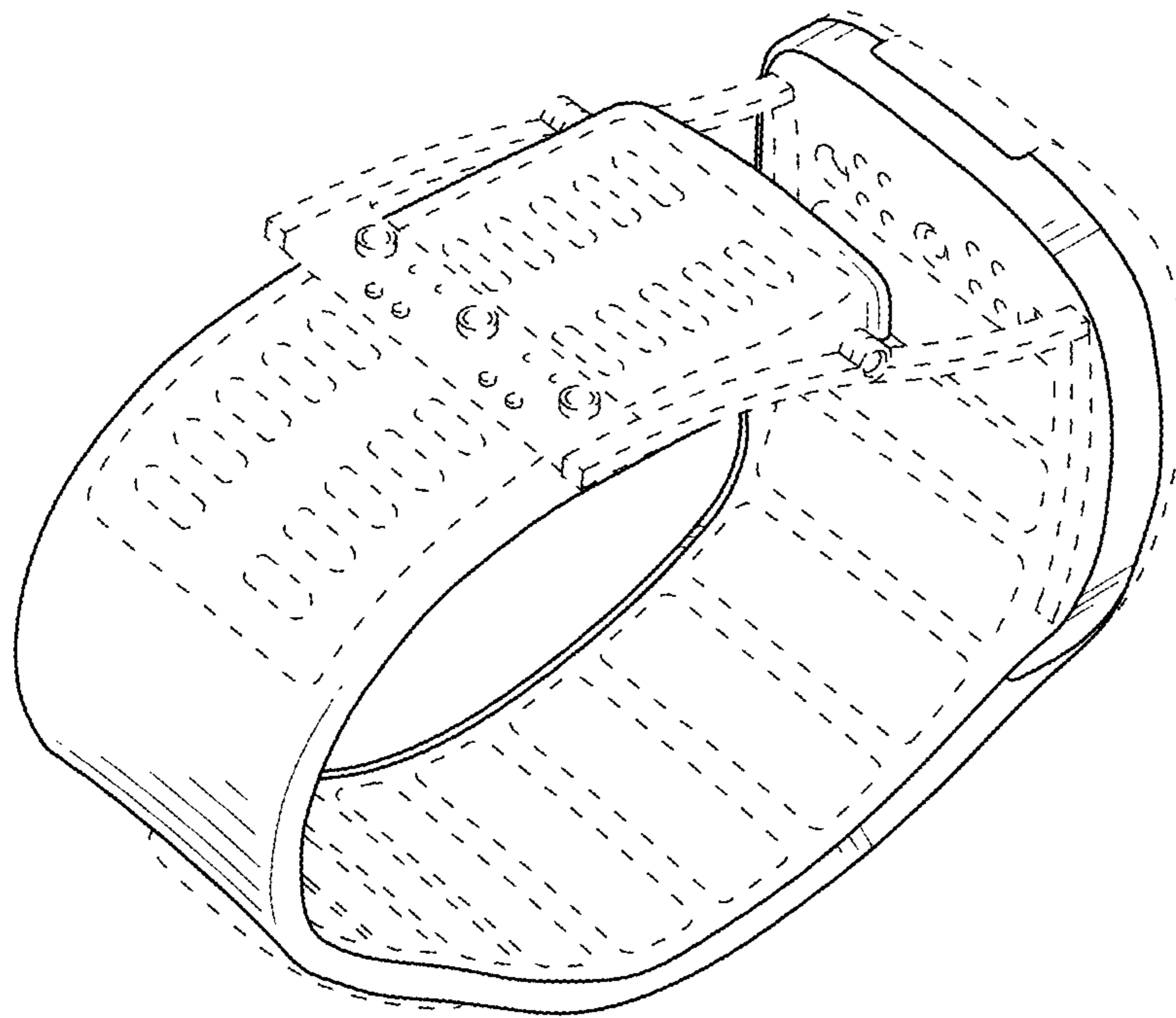


Fig.12

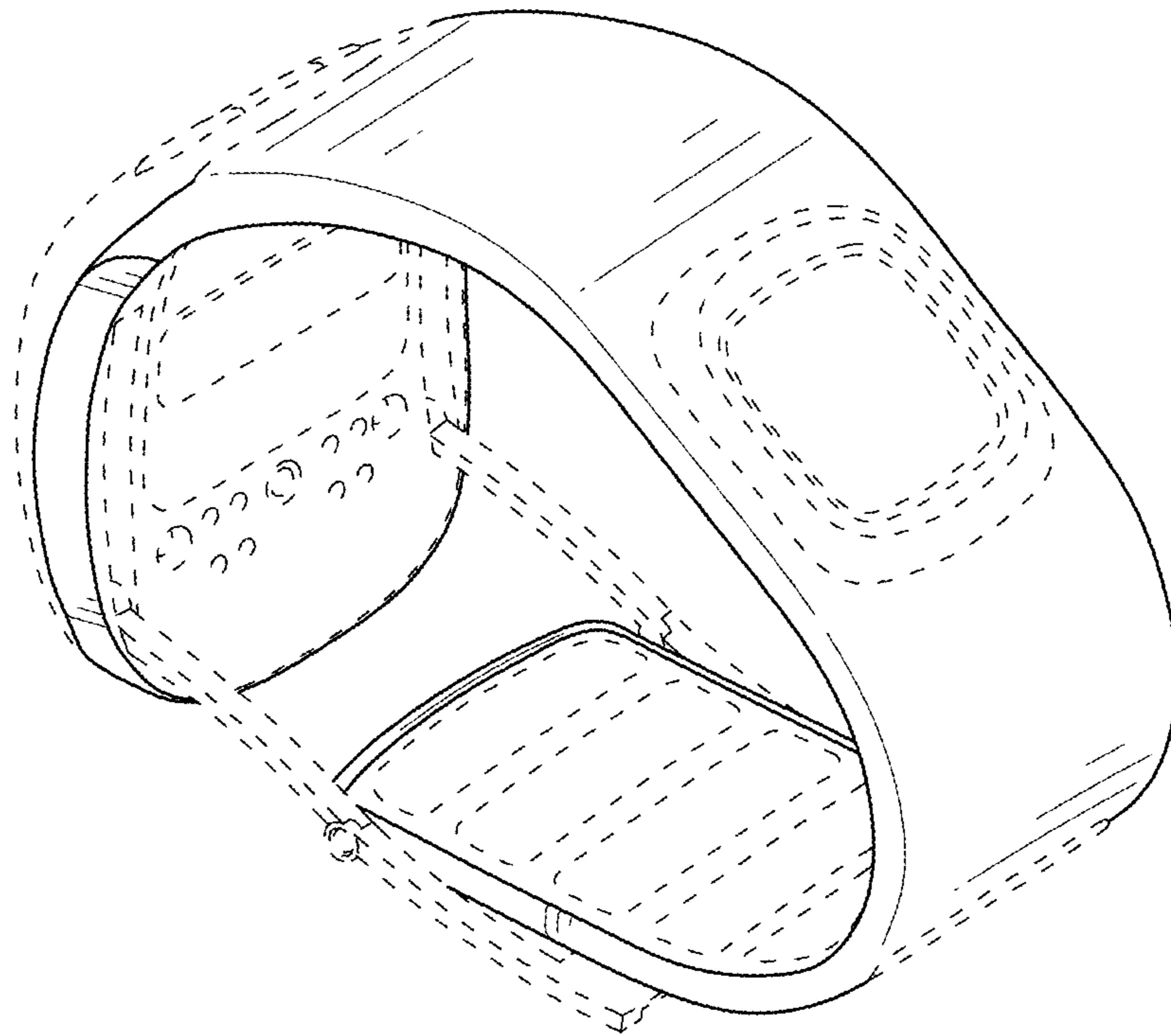


Fig.13

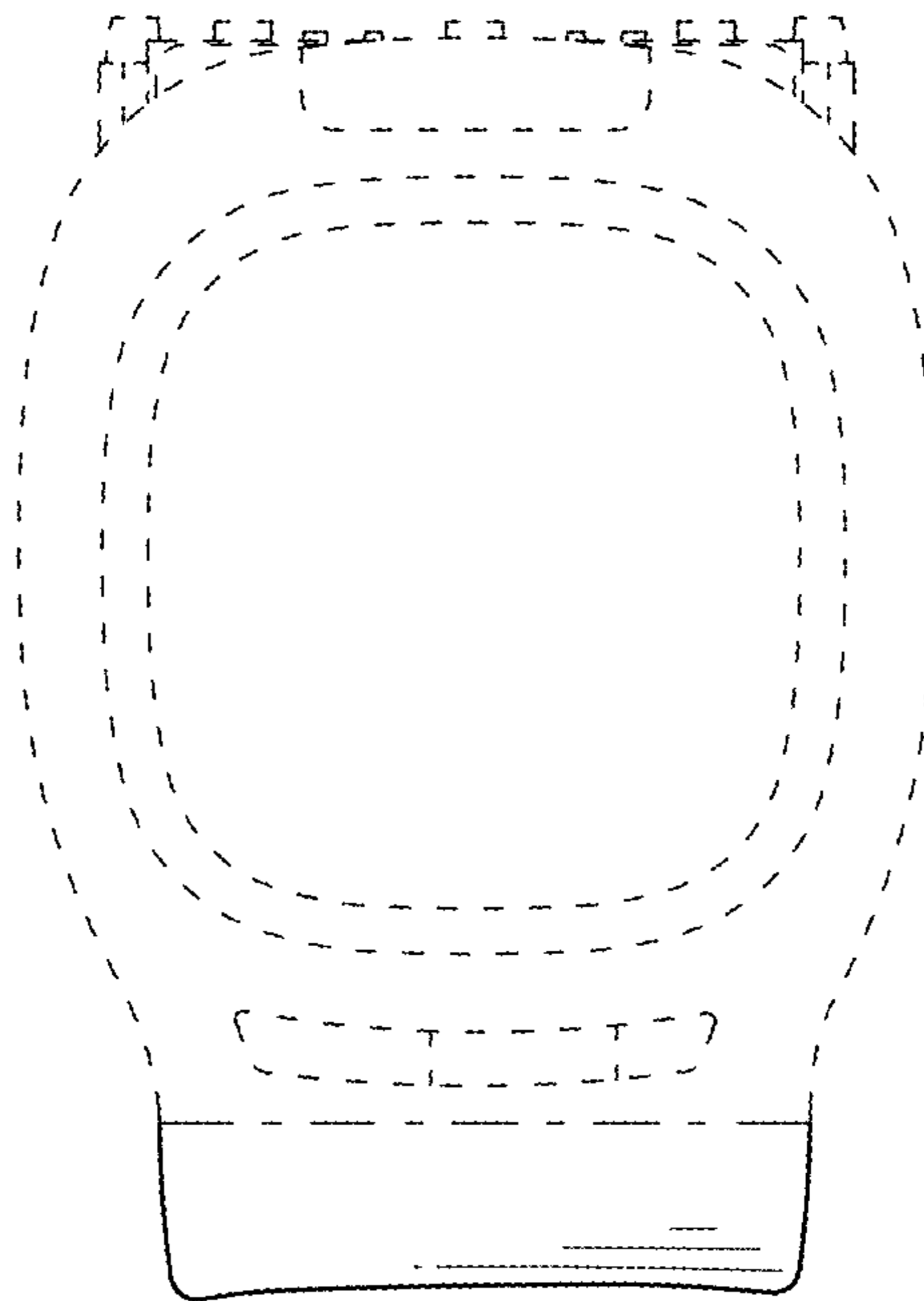


Fig.14

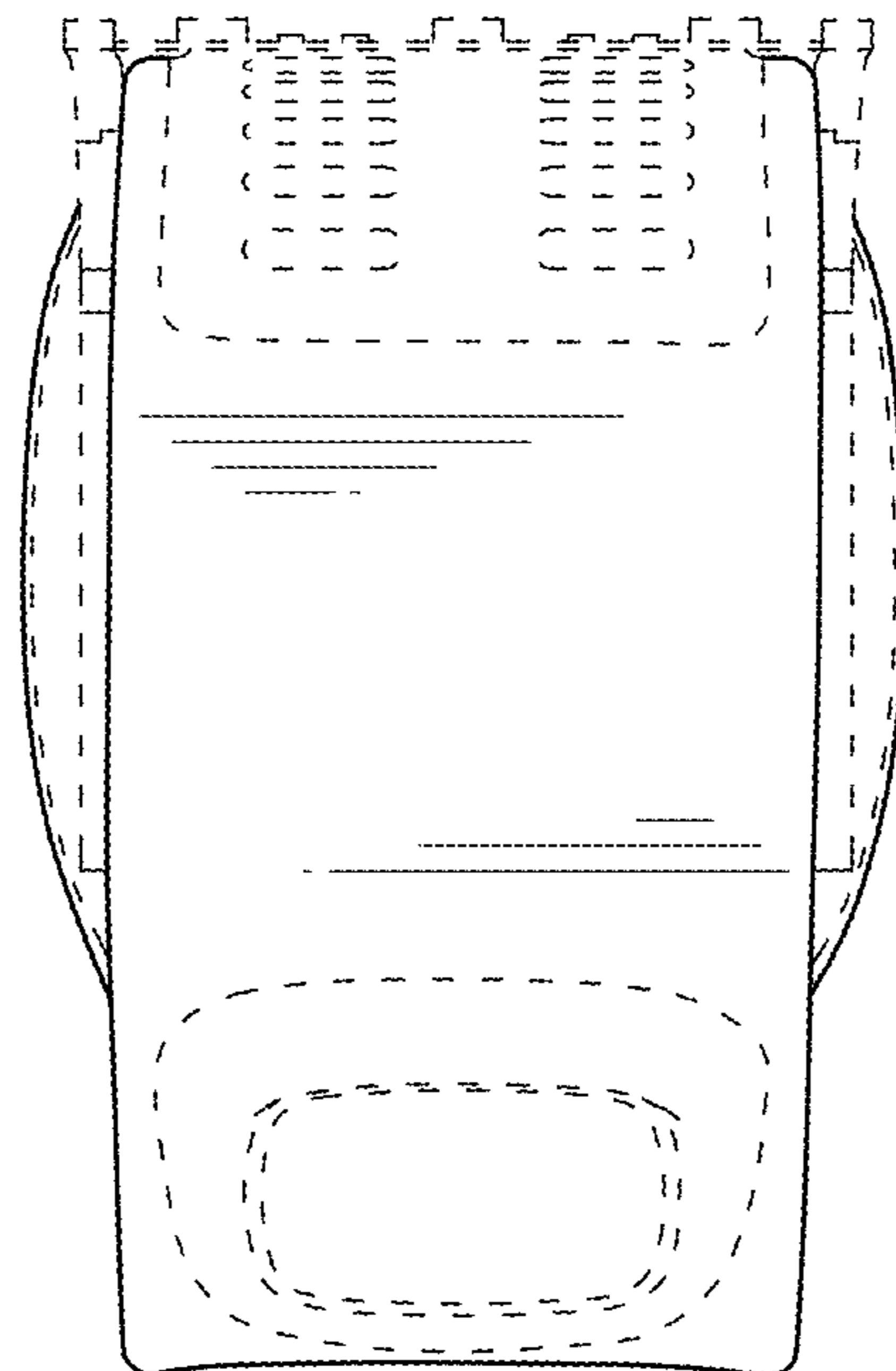


Fig. 15

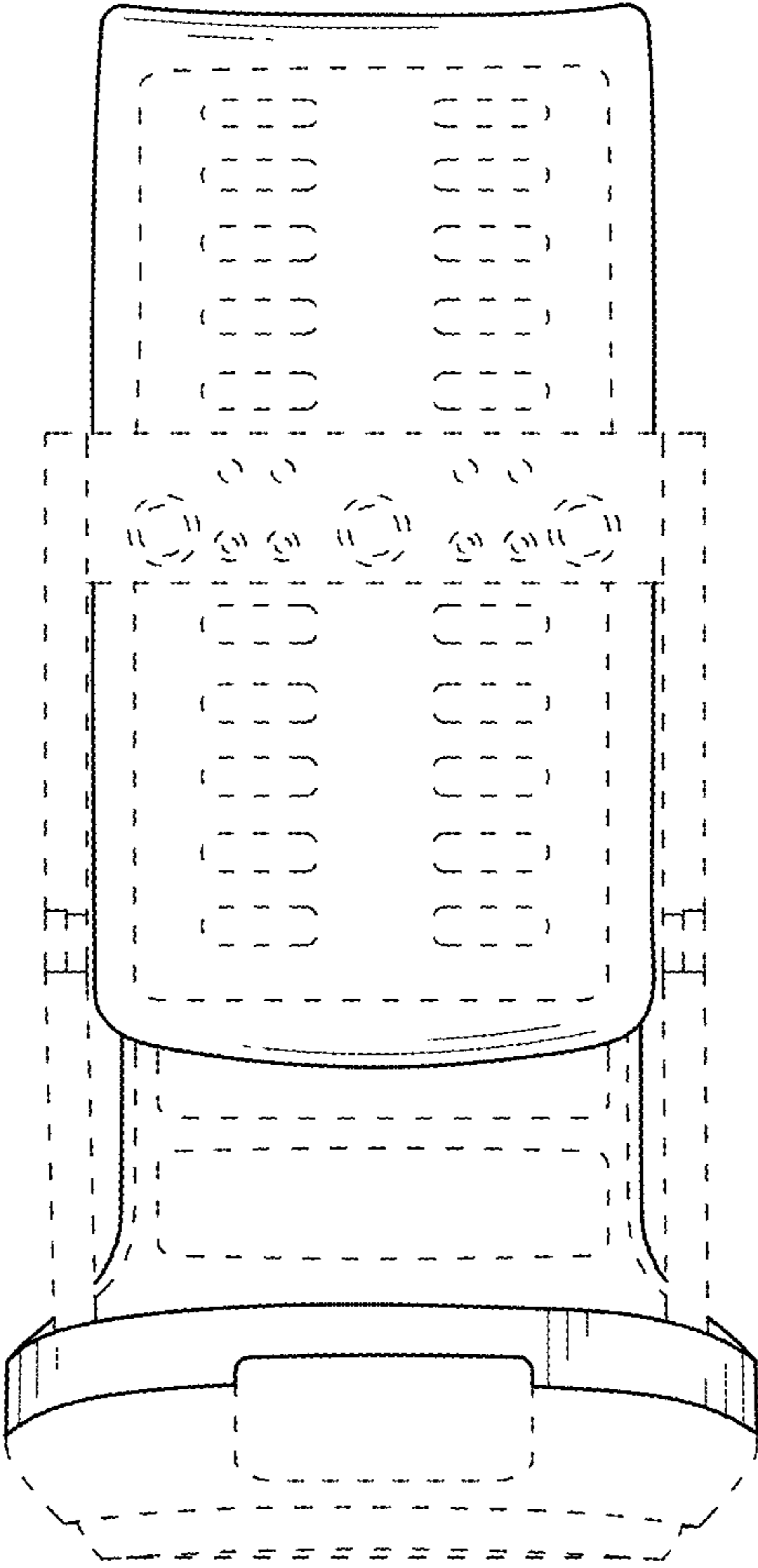


Fig.16

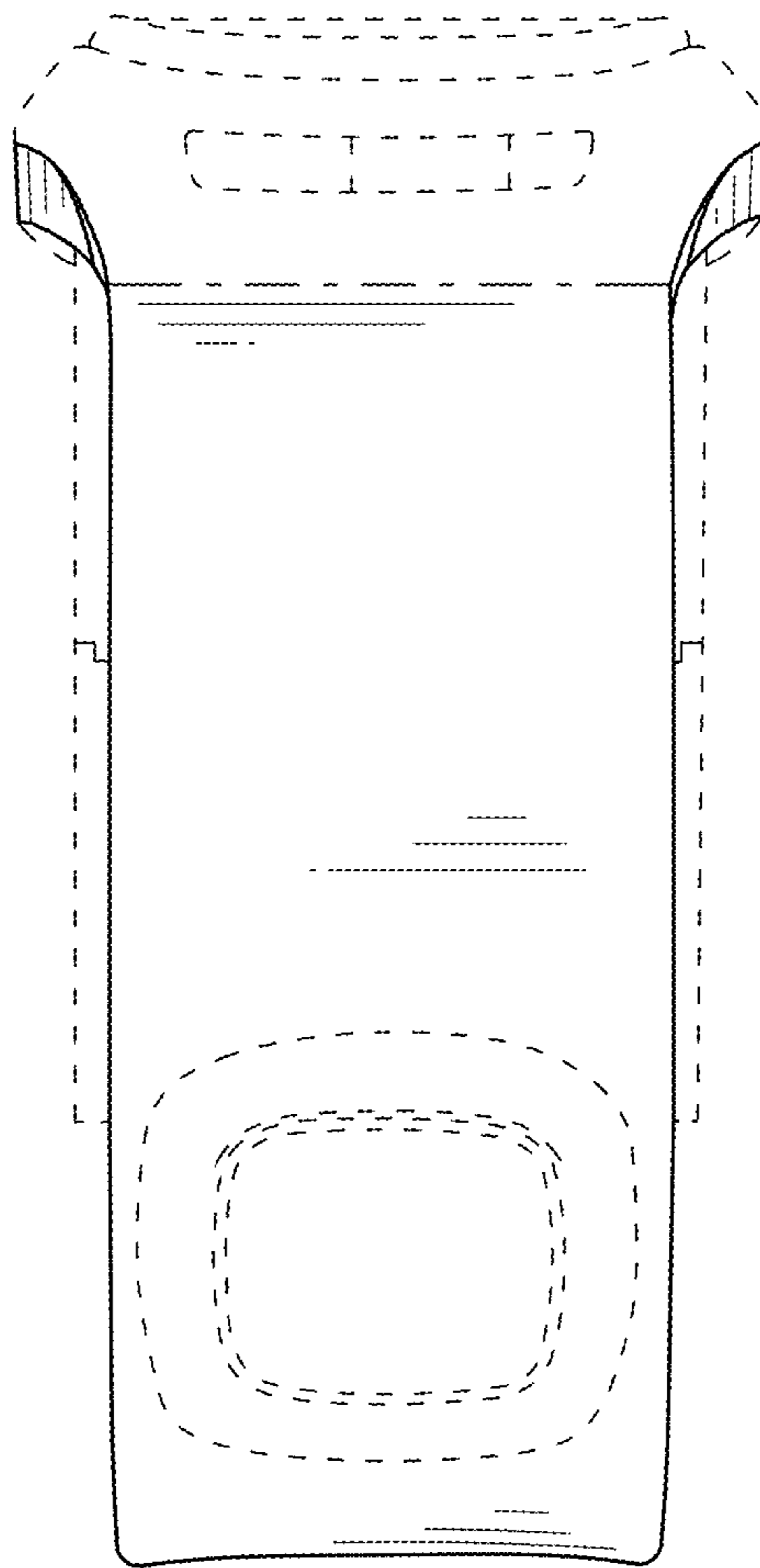


Fig.17

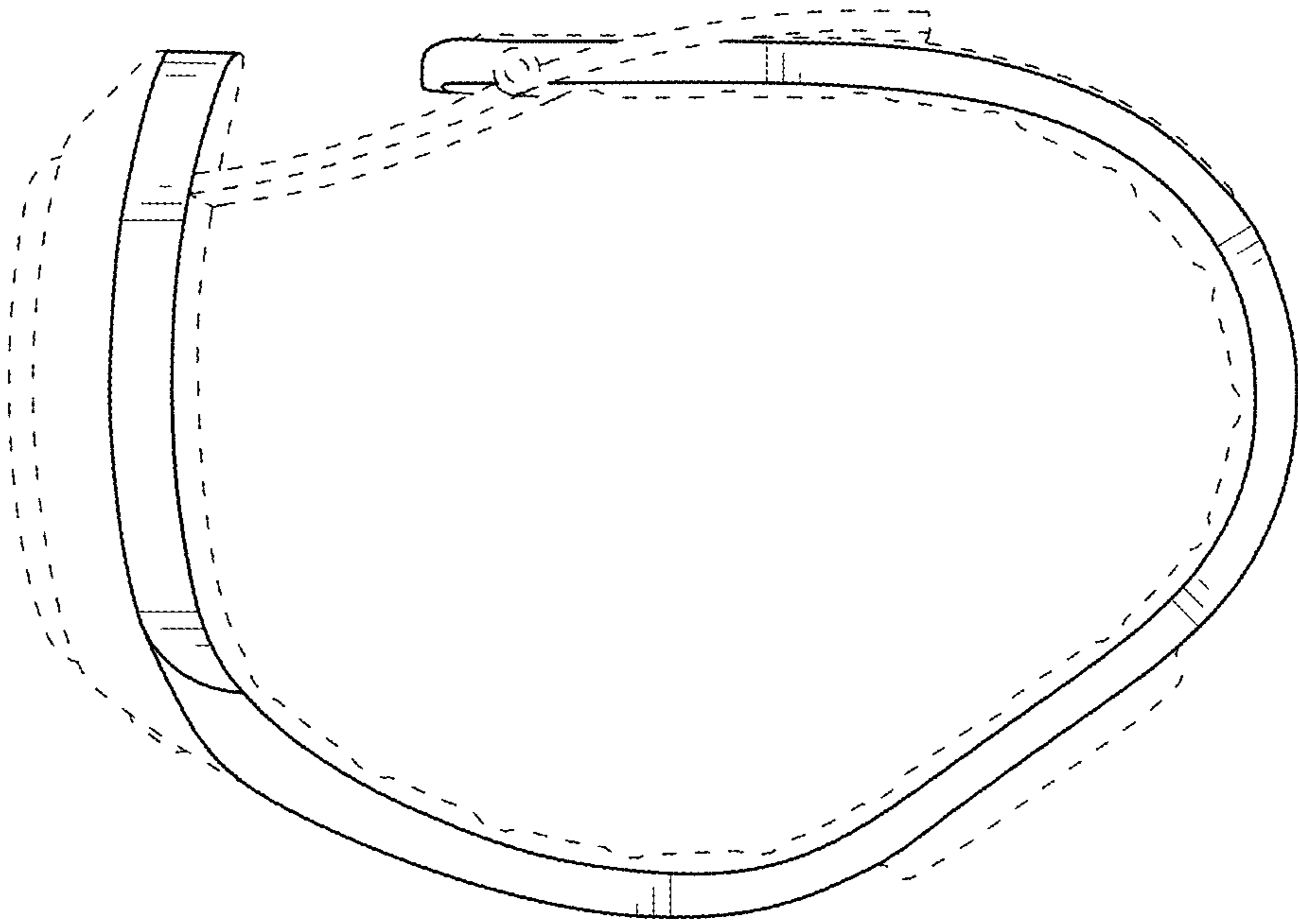


Fig.18

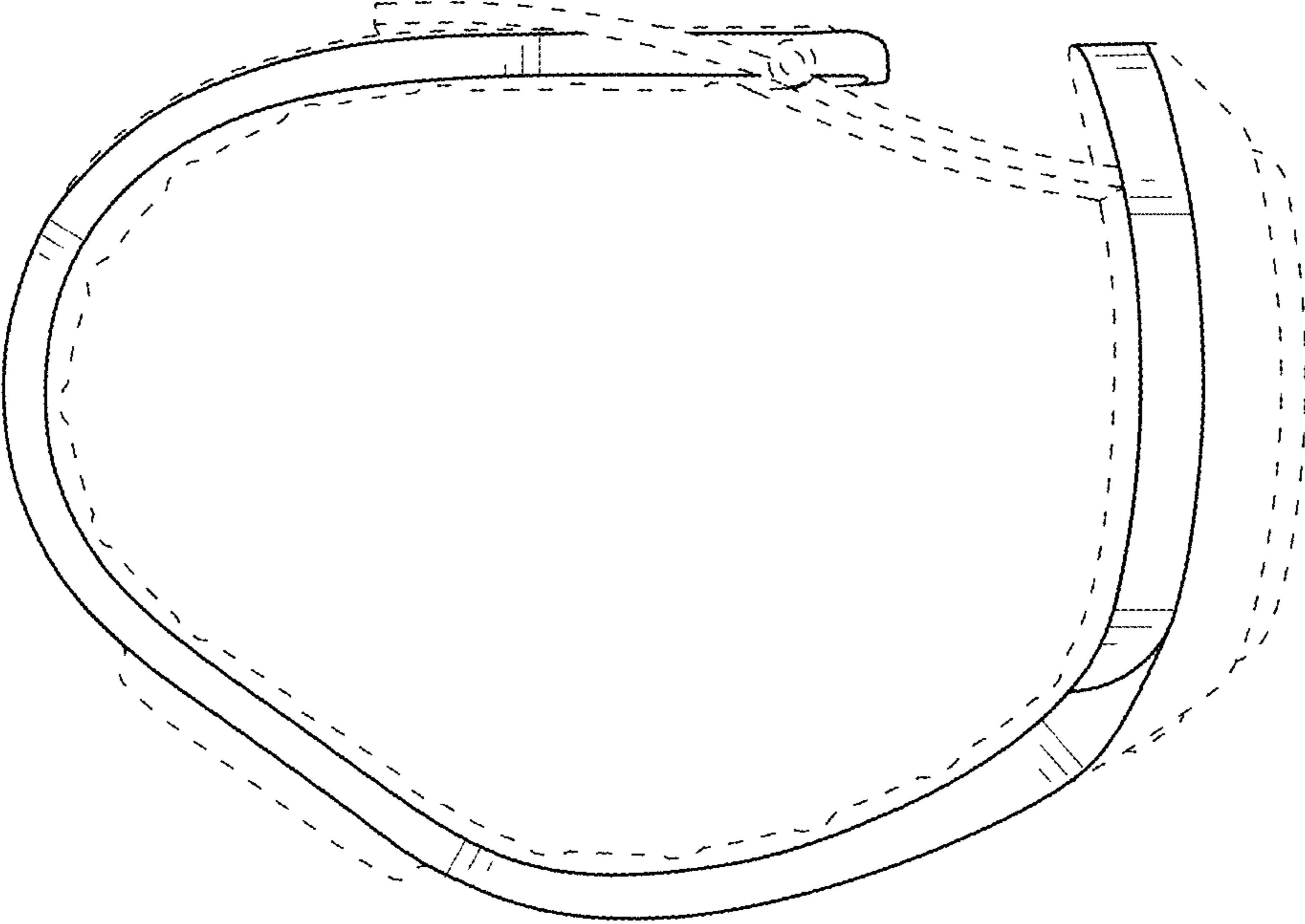


Fig.19

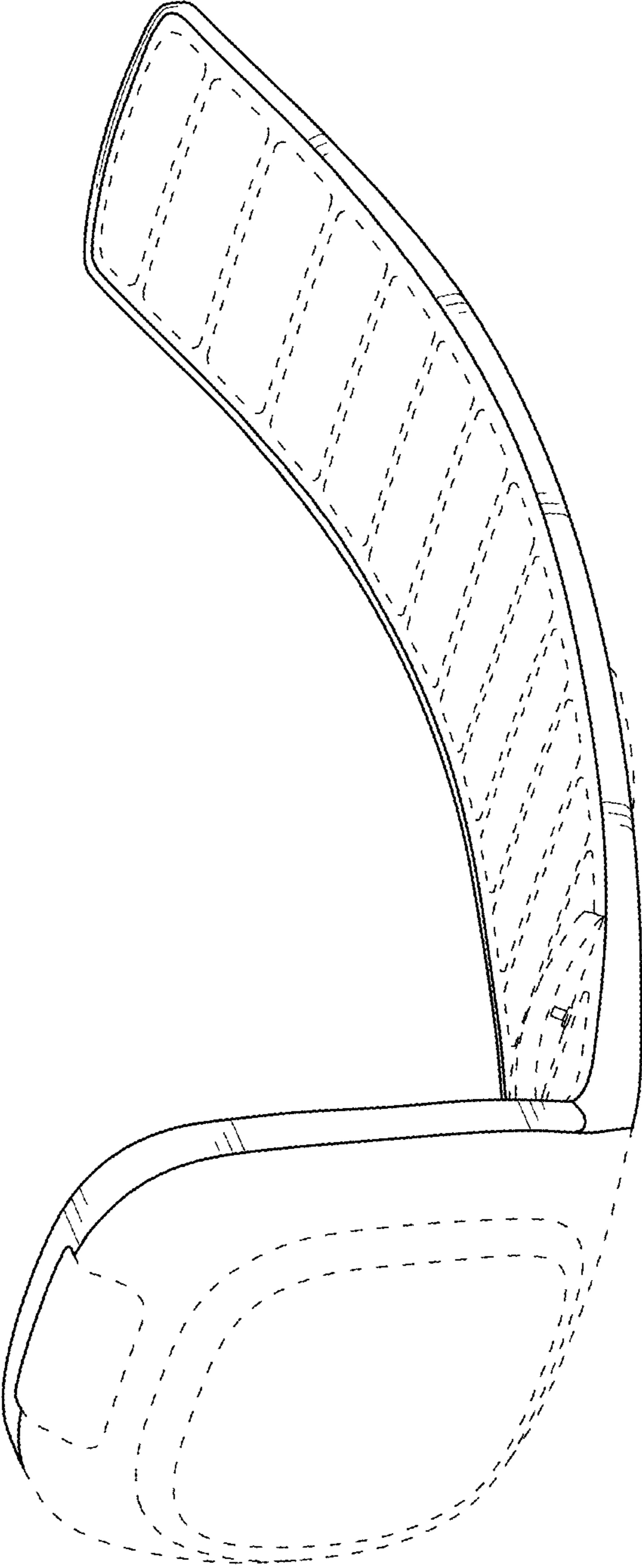


Fig.20

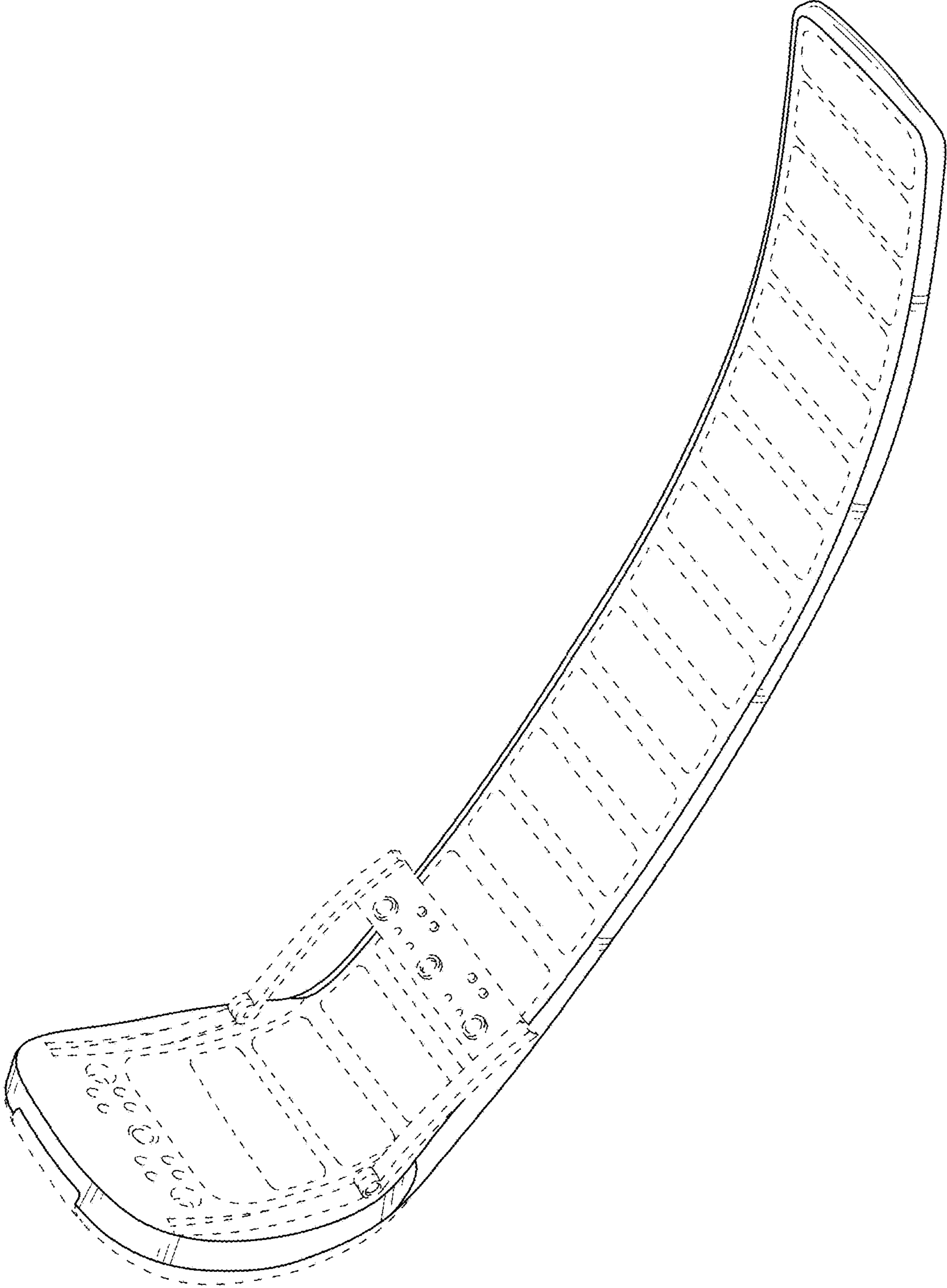


Fig.21

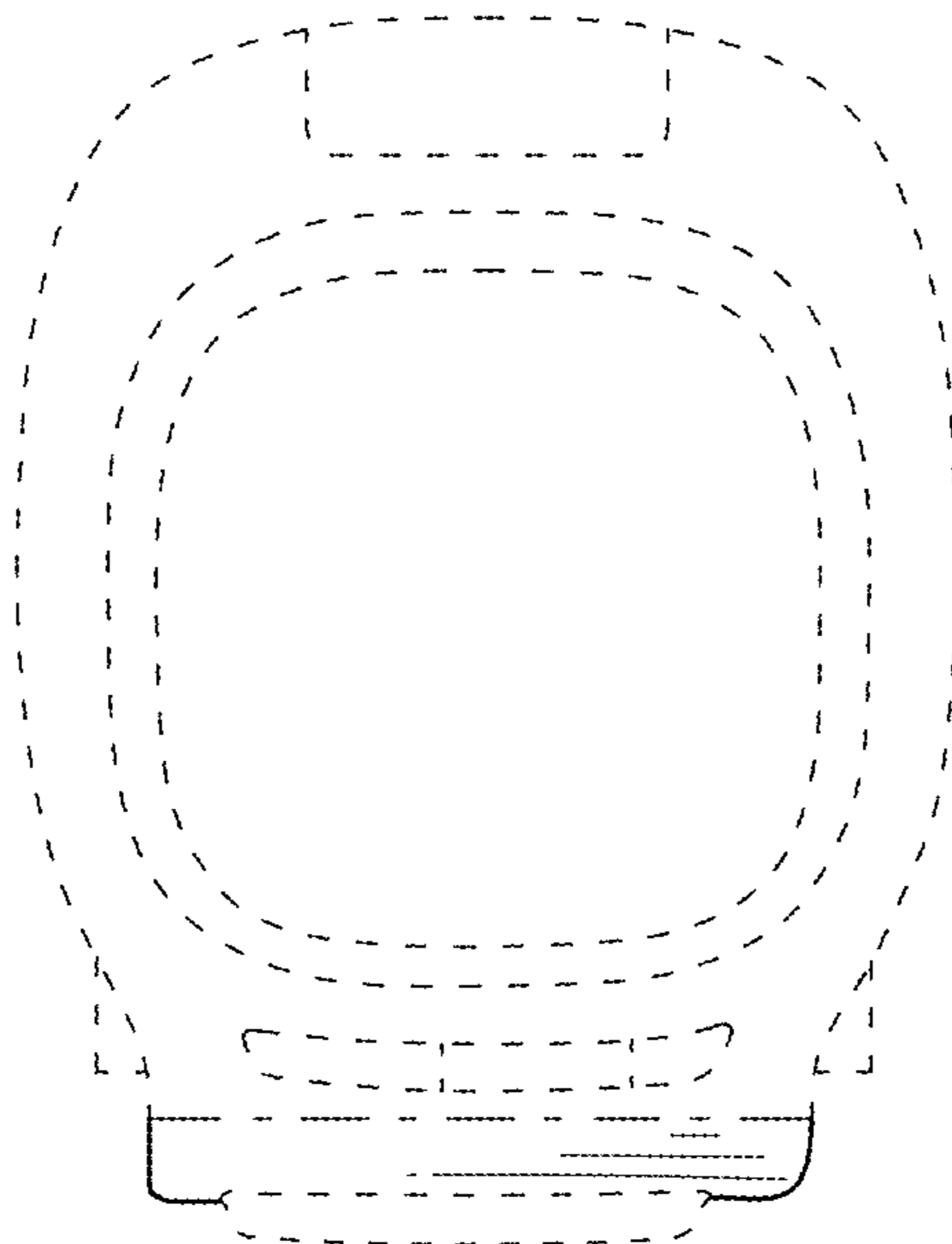


Fig.22

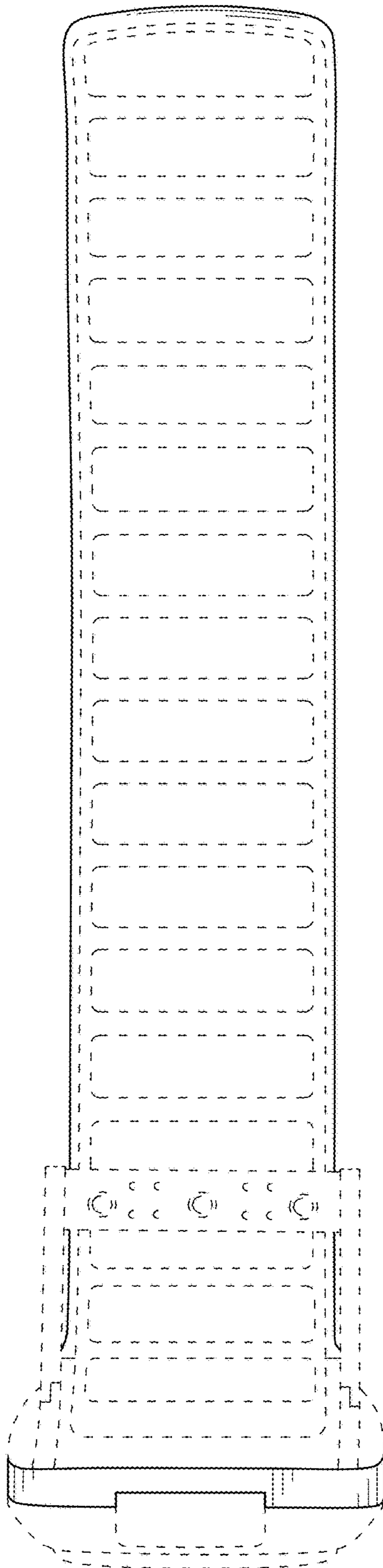


Fig.23

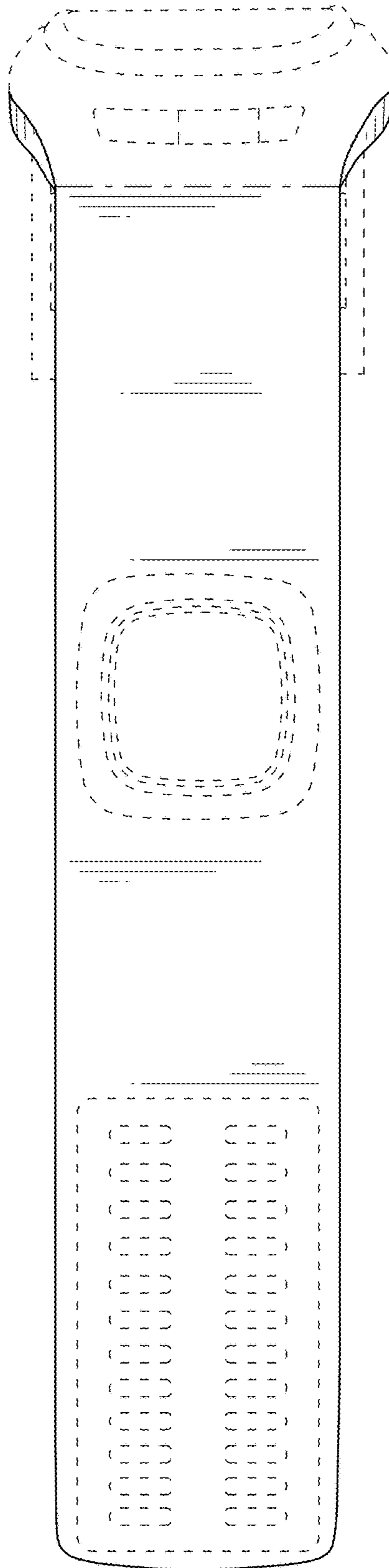


Fig.24

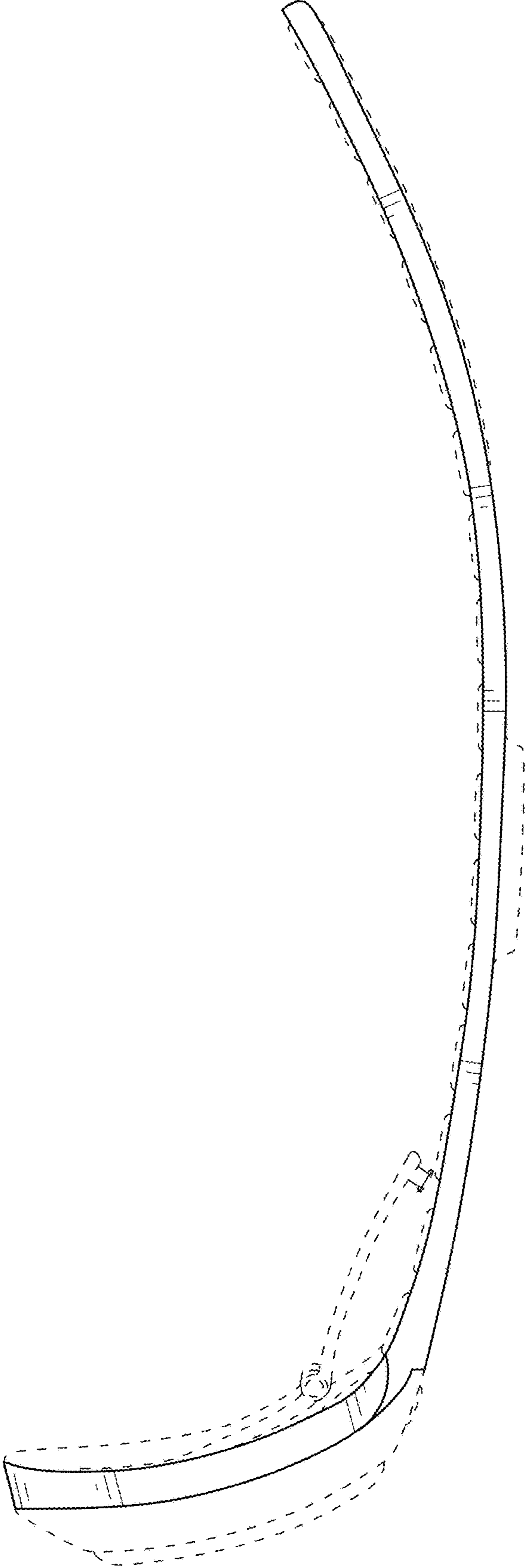


Fig.25

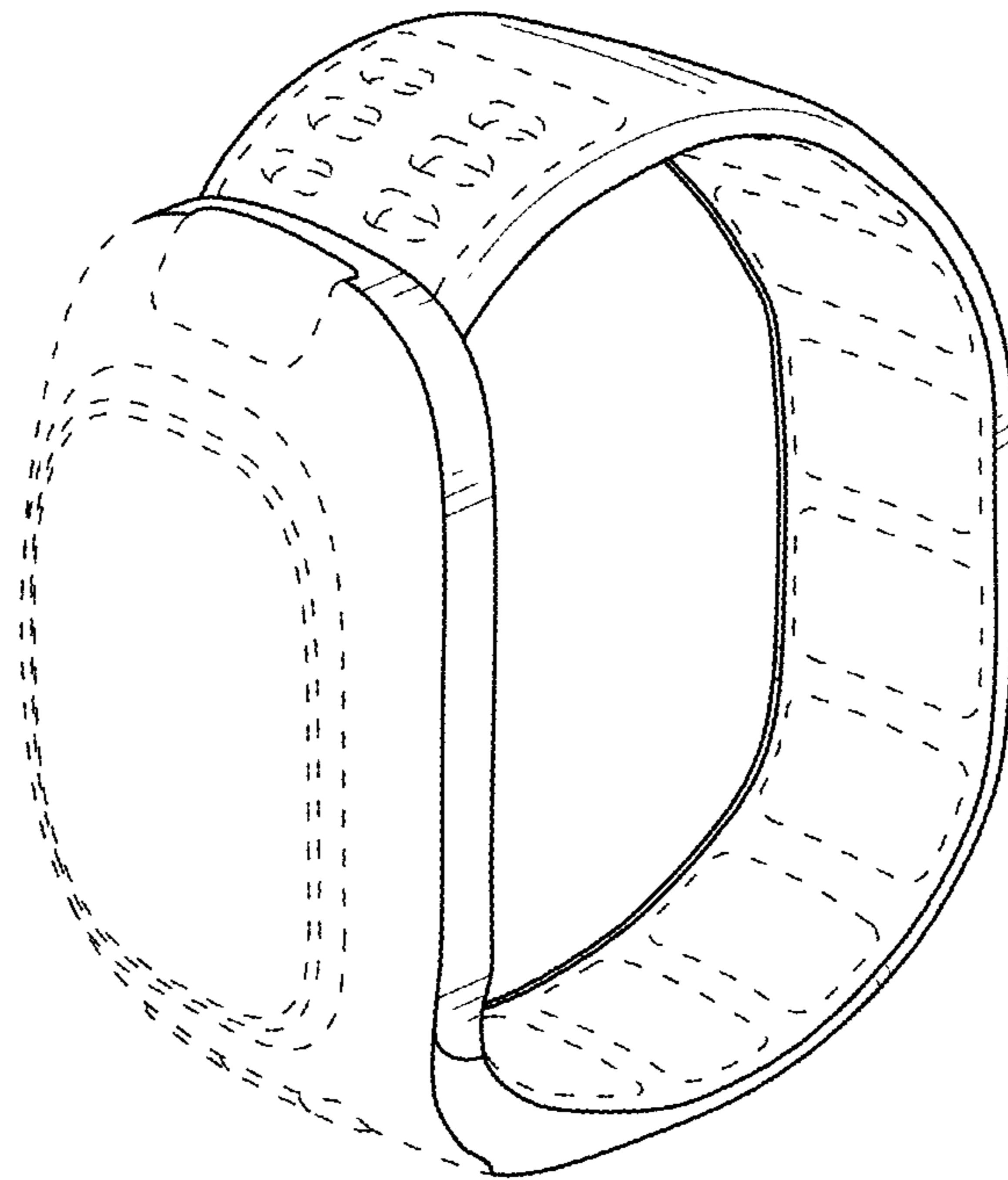


Fig.26

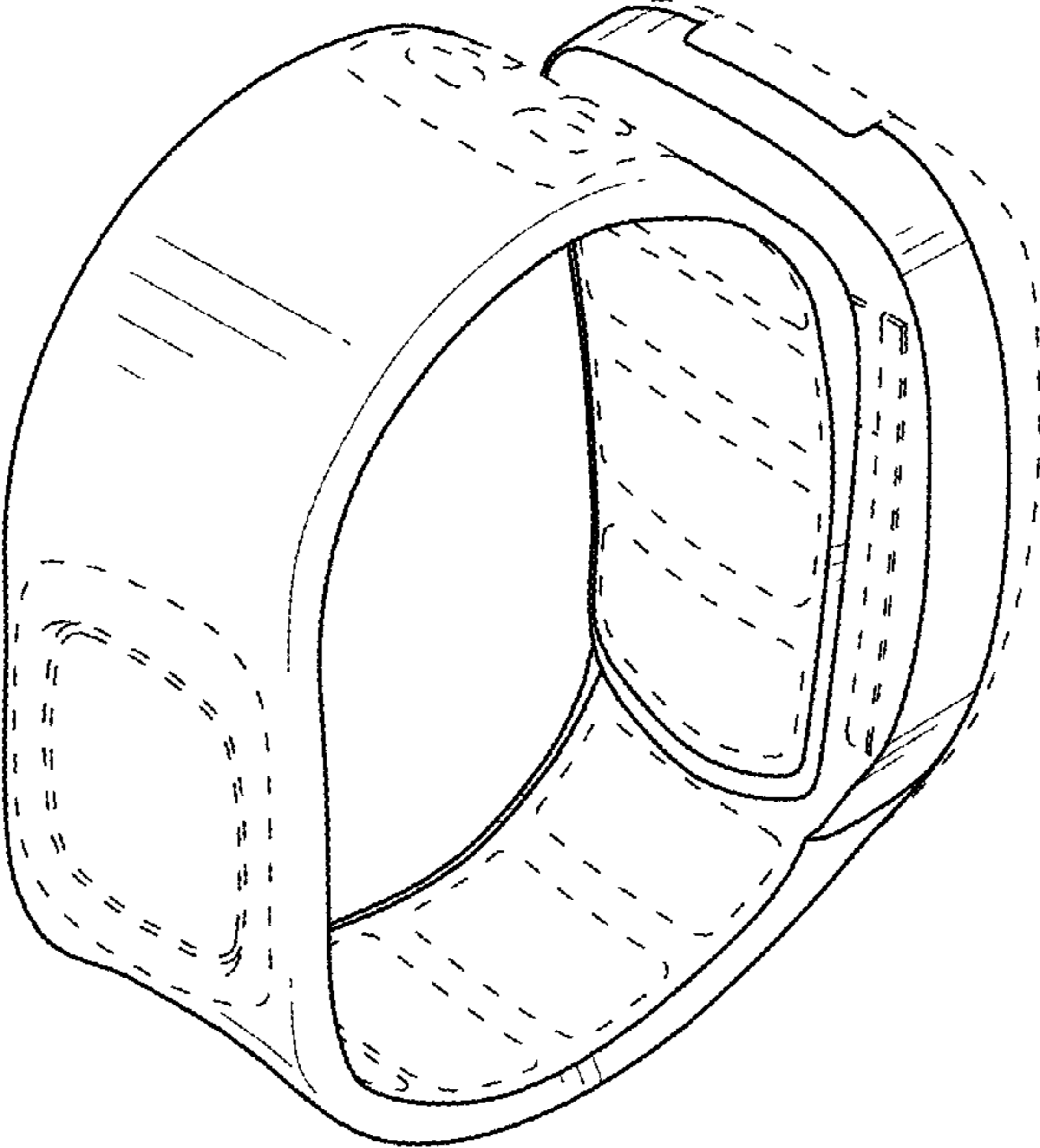


Fig.27

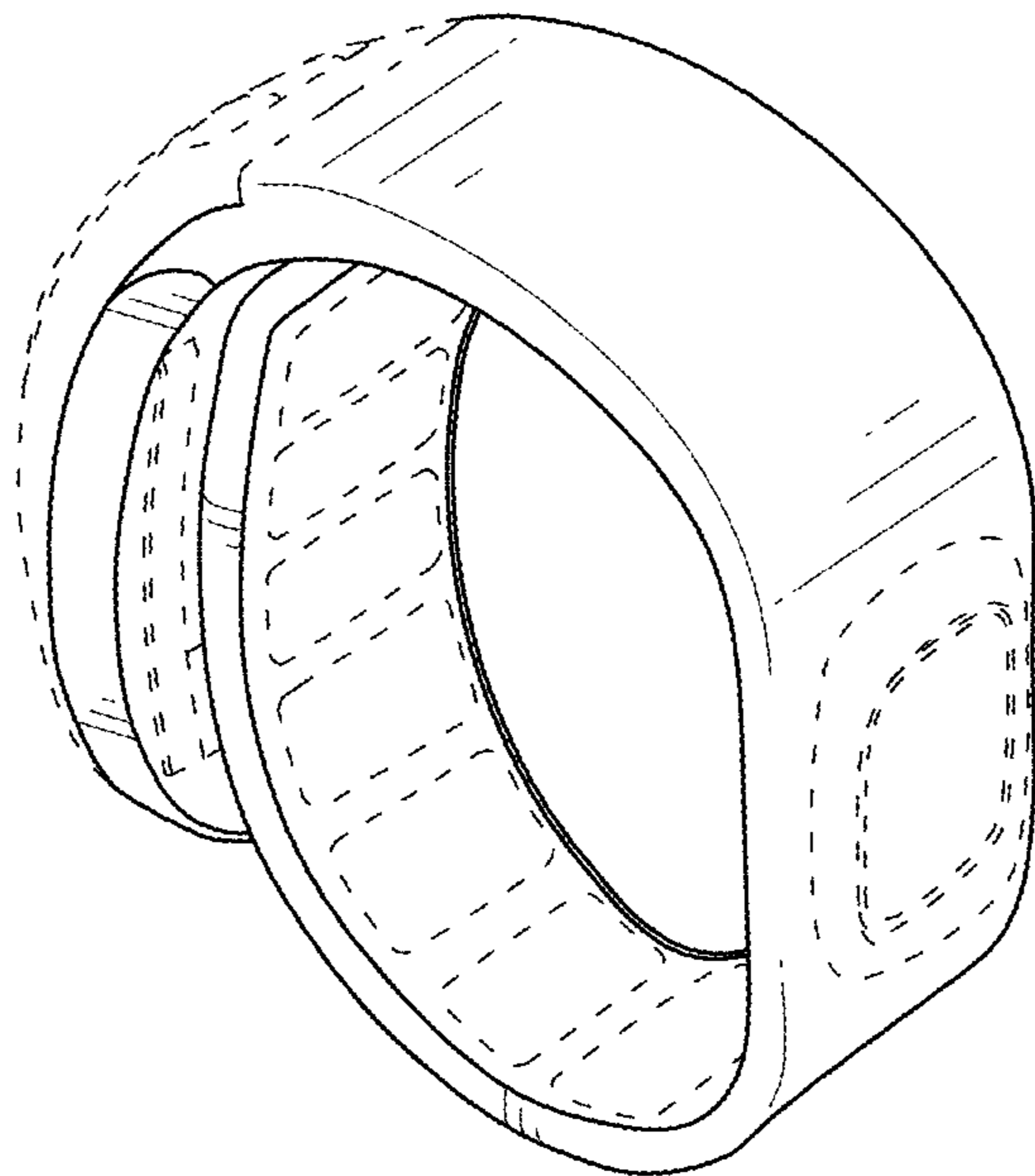


Fig.28

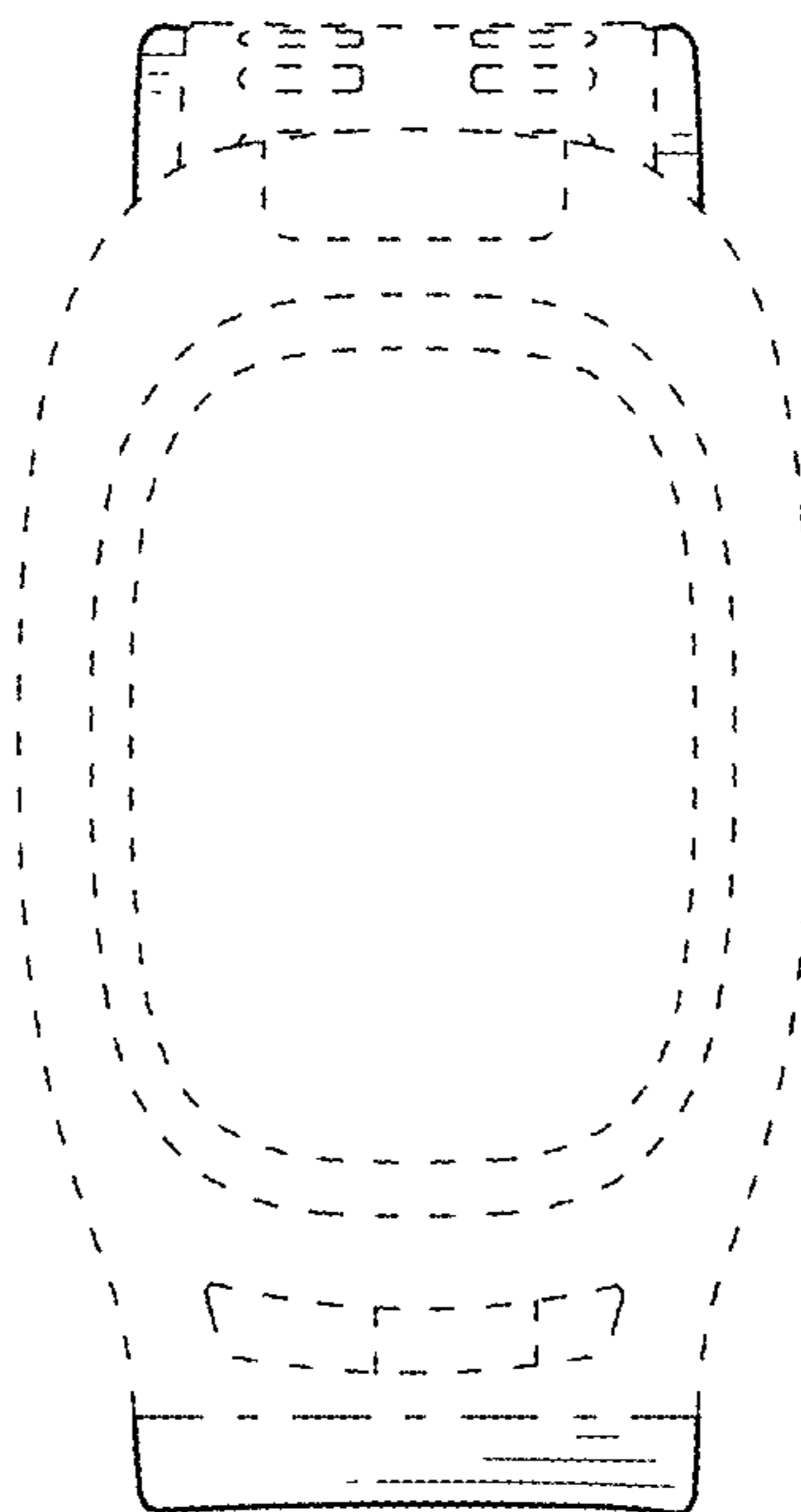


Fig.29

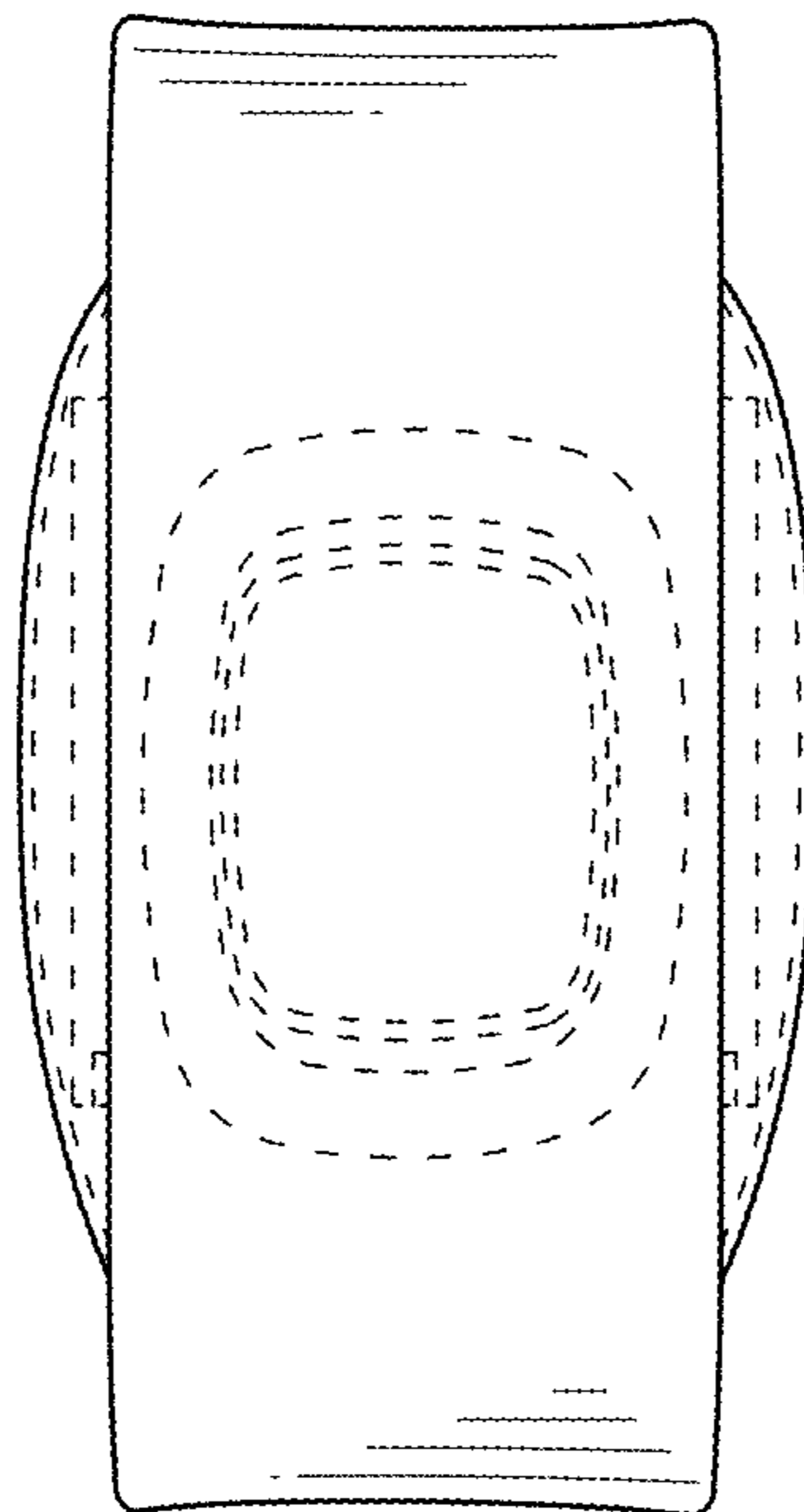


Fig.30

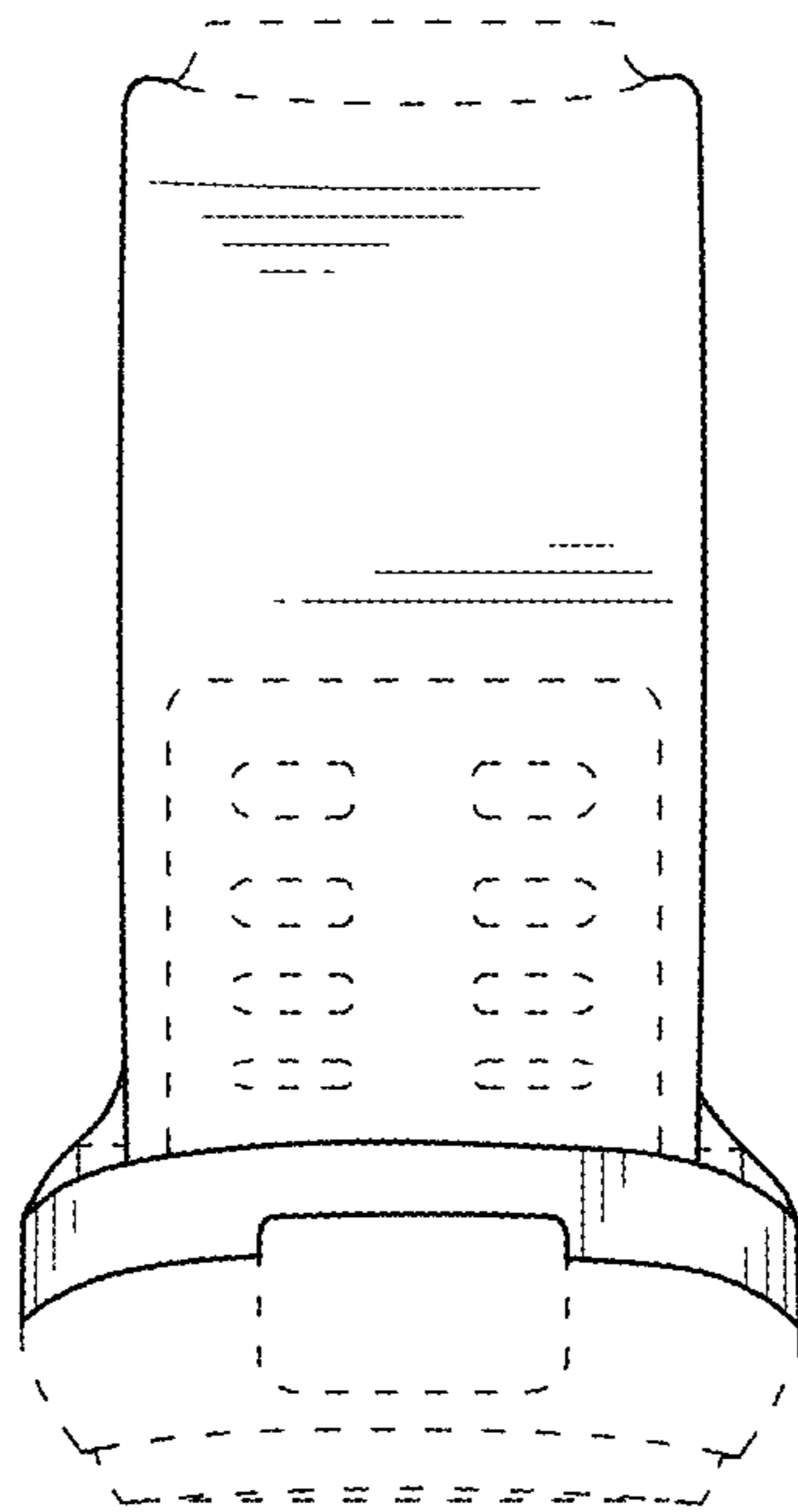


Fig.31

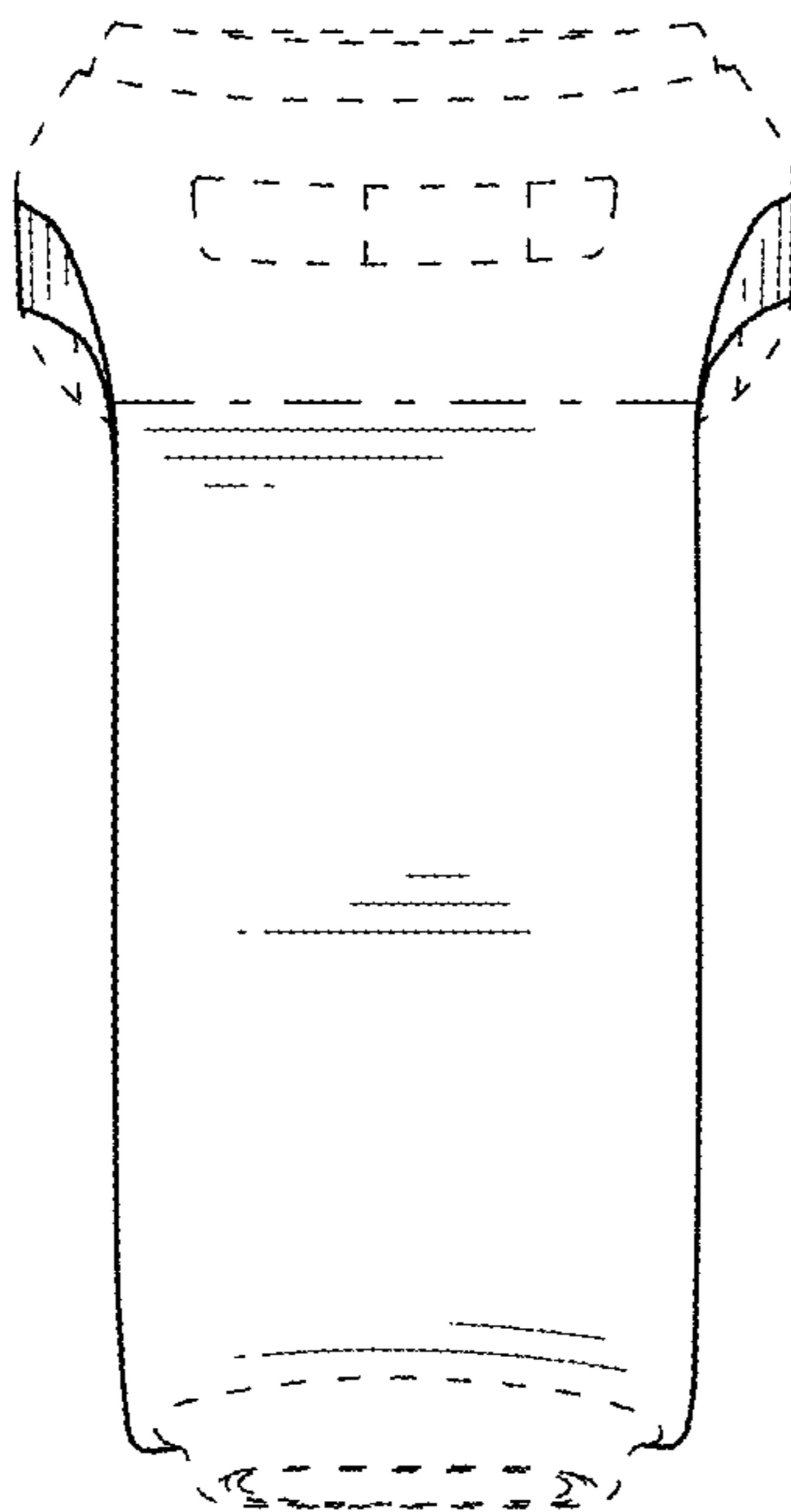


Fig.32

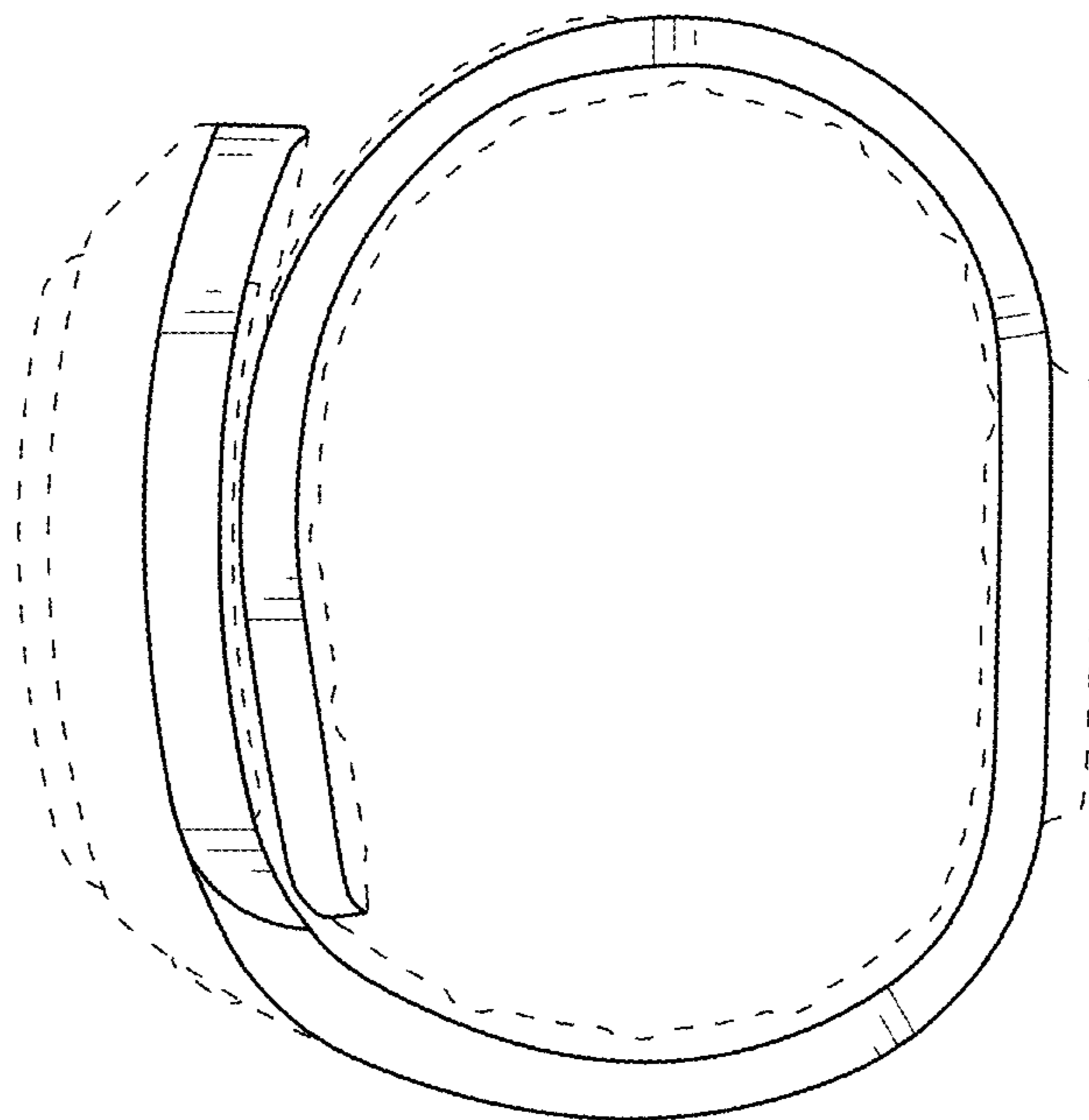


Fig.33

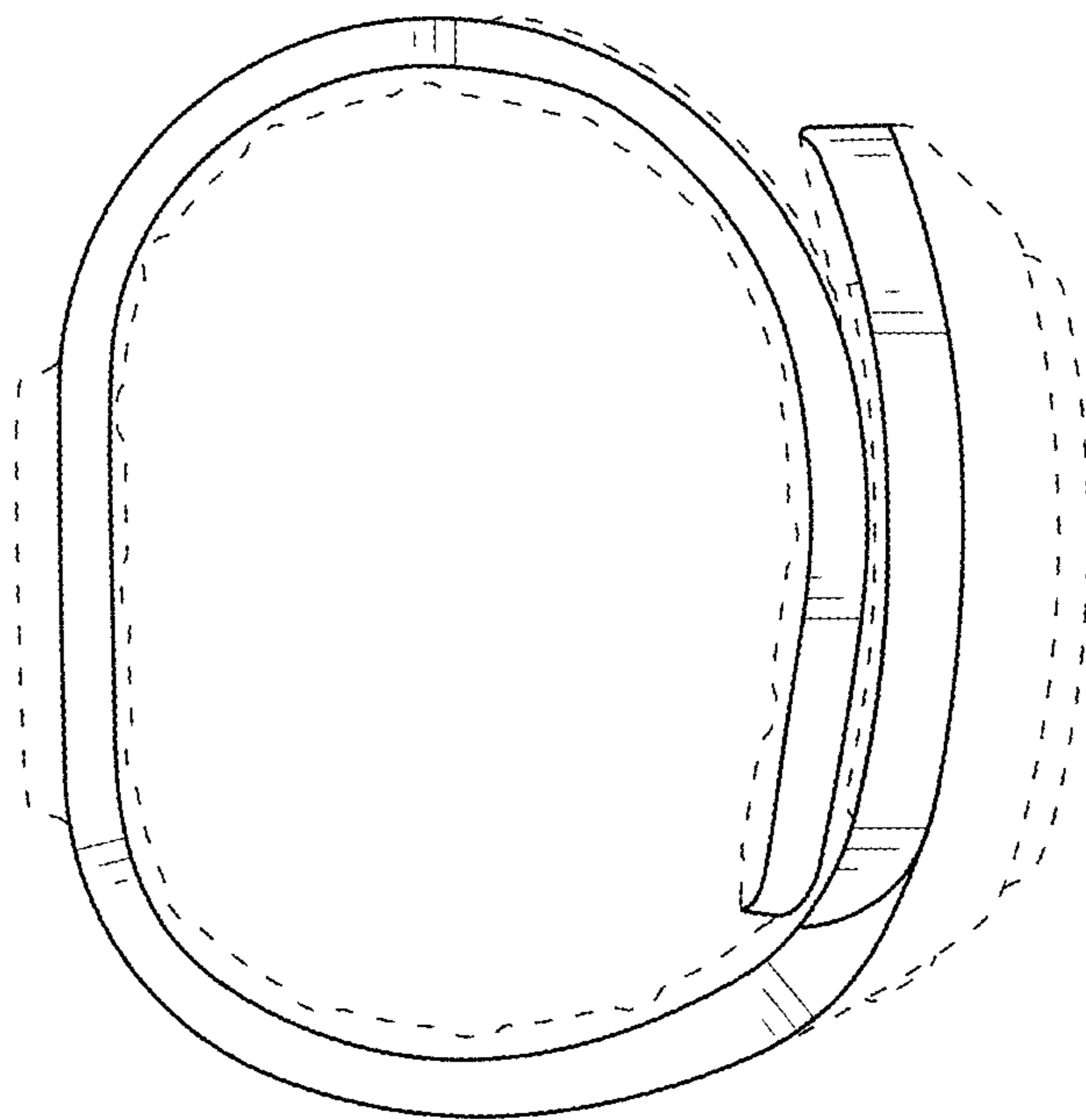


Fig.34

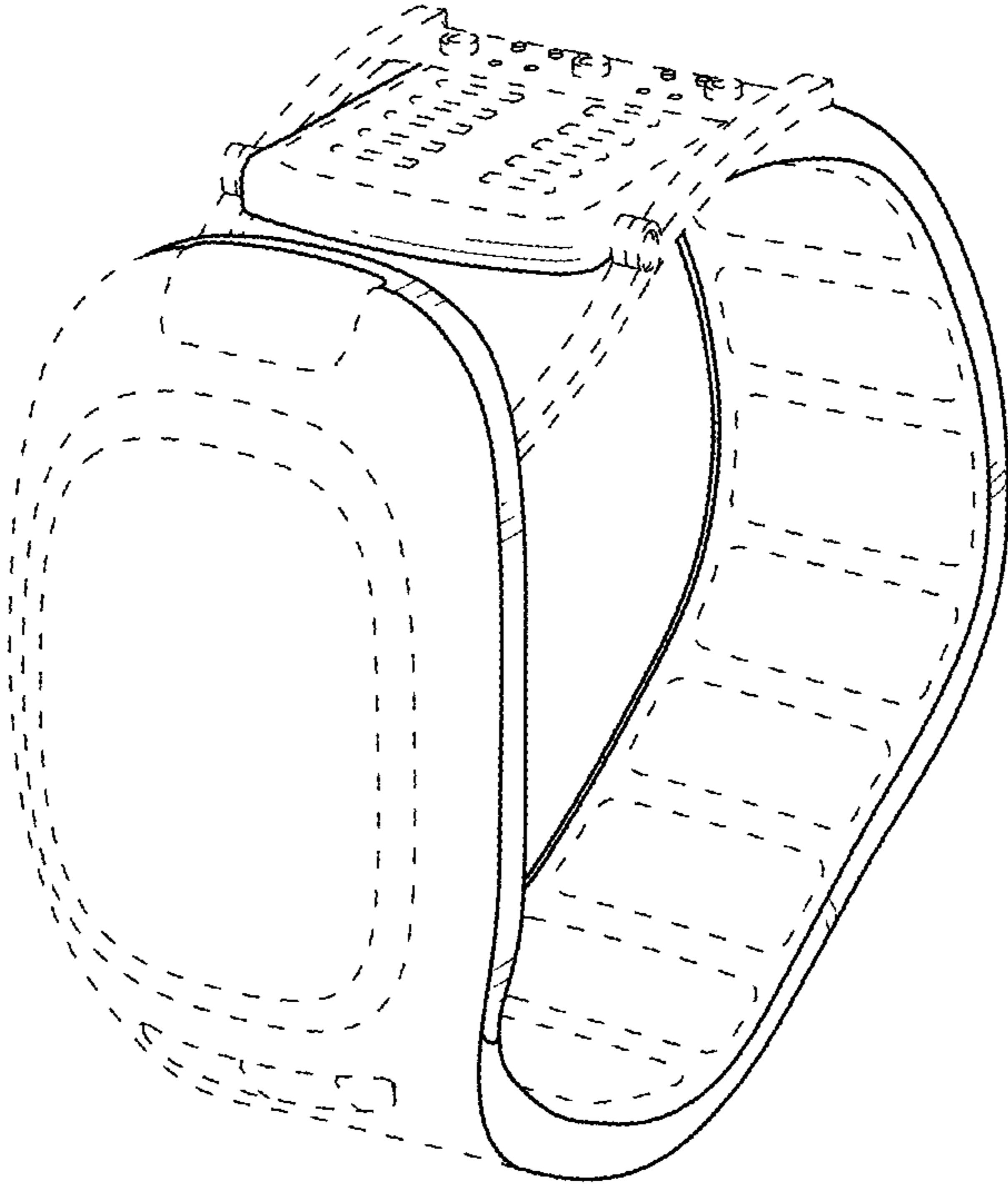


Fig.35

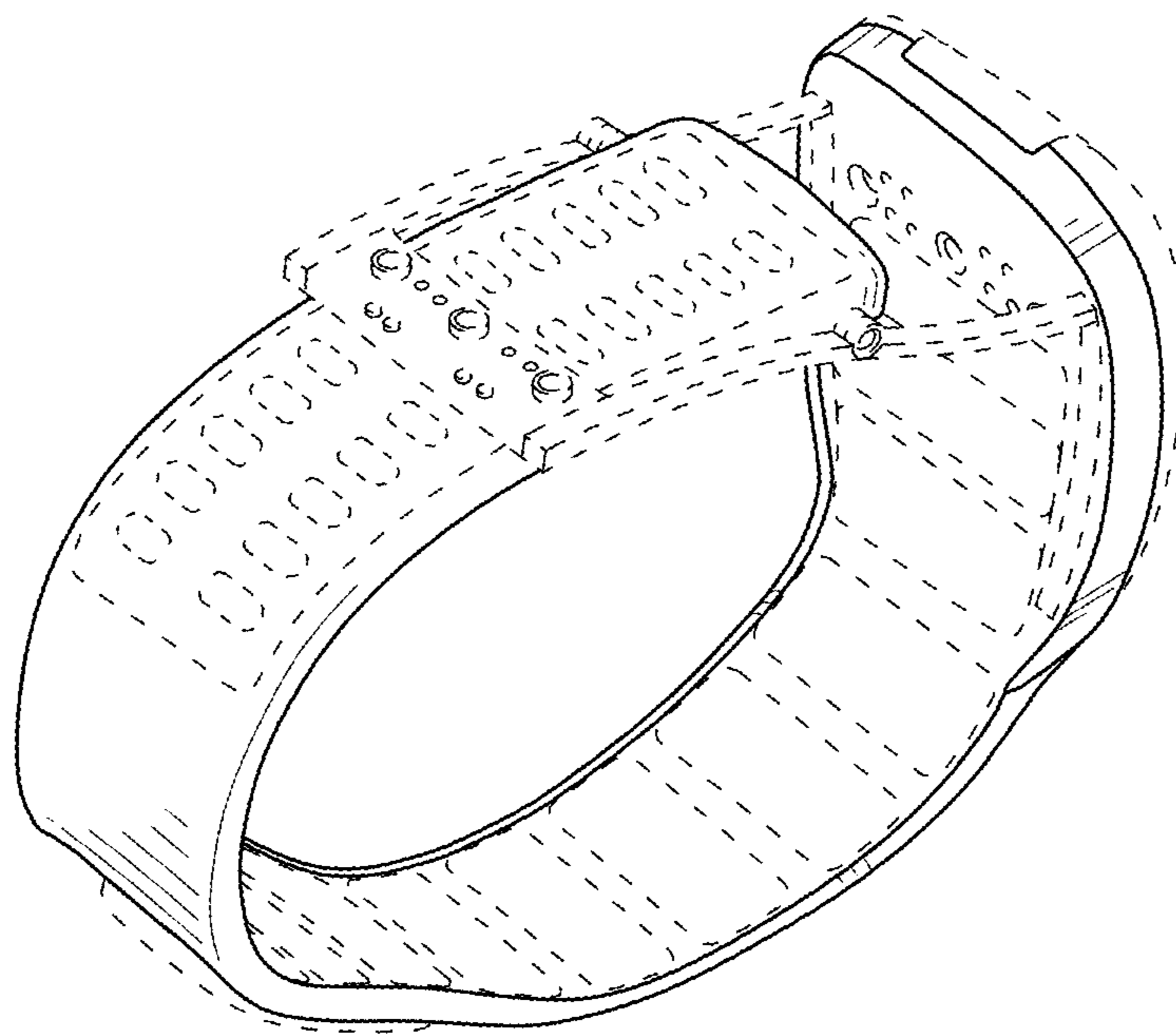


Fig.36

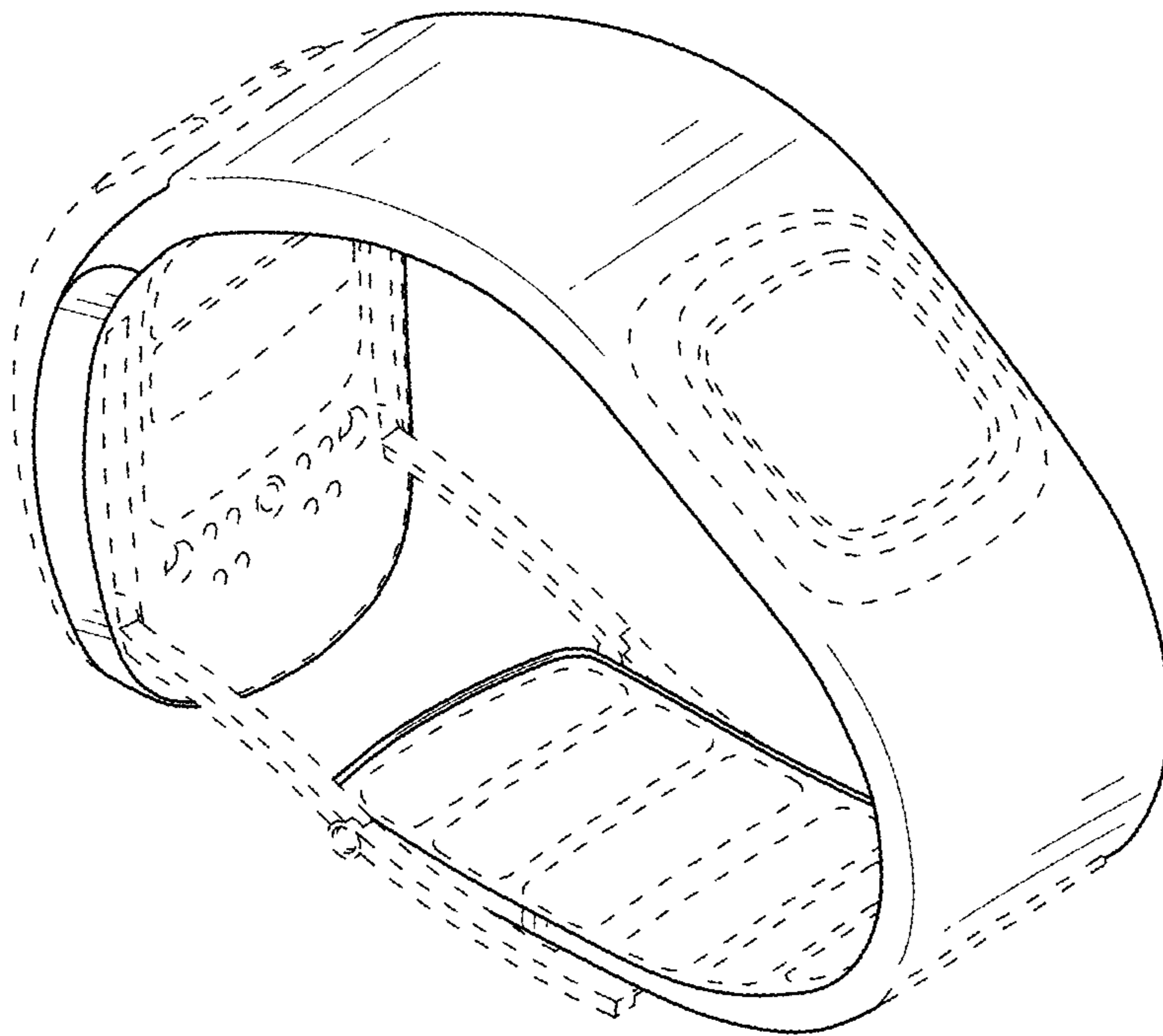


Fig.37

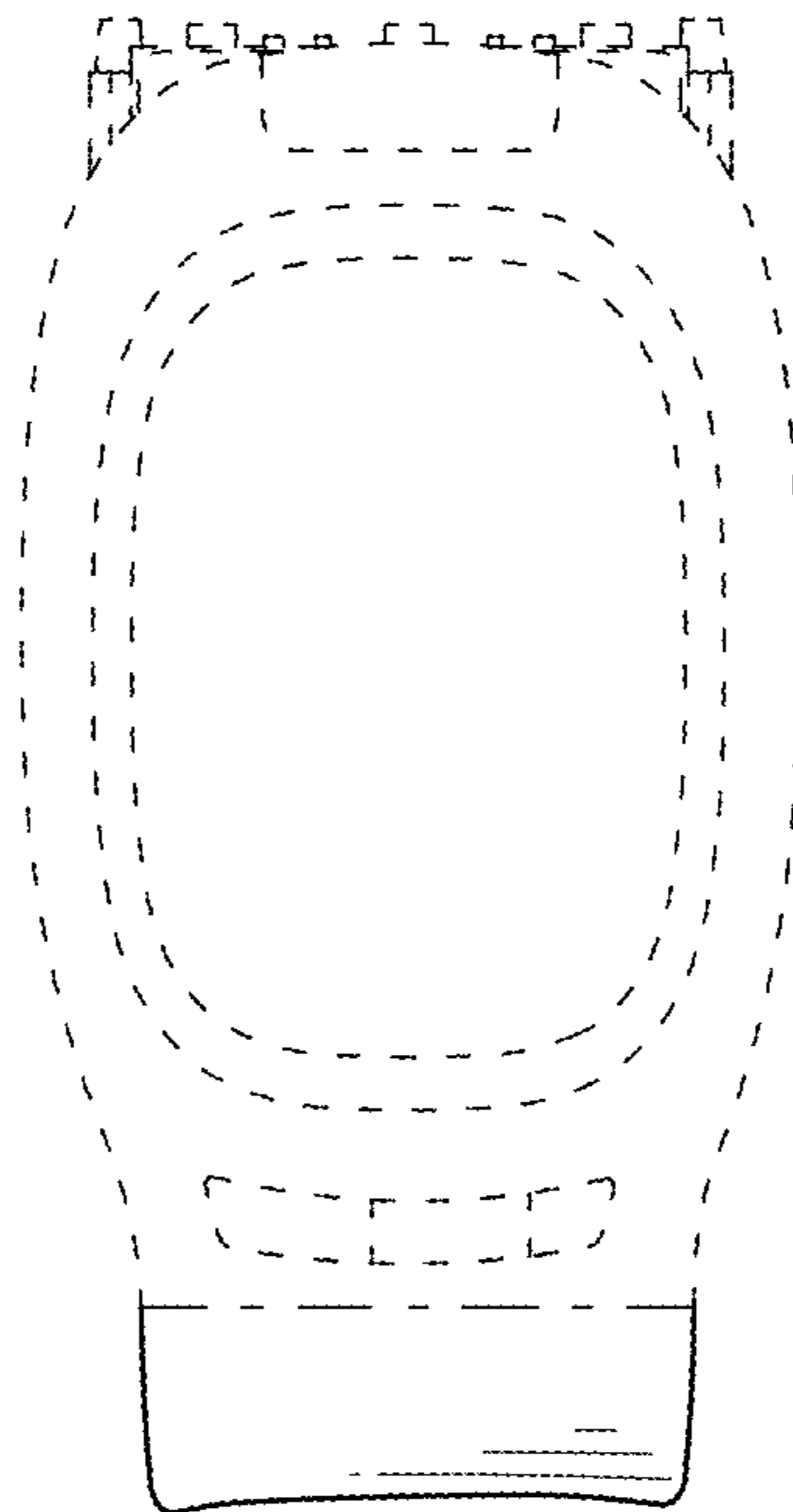


Fig.38

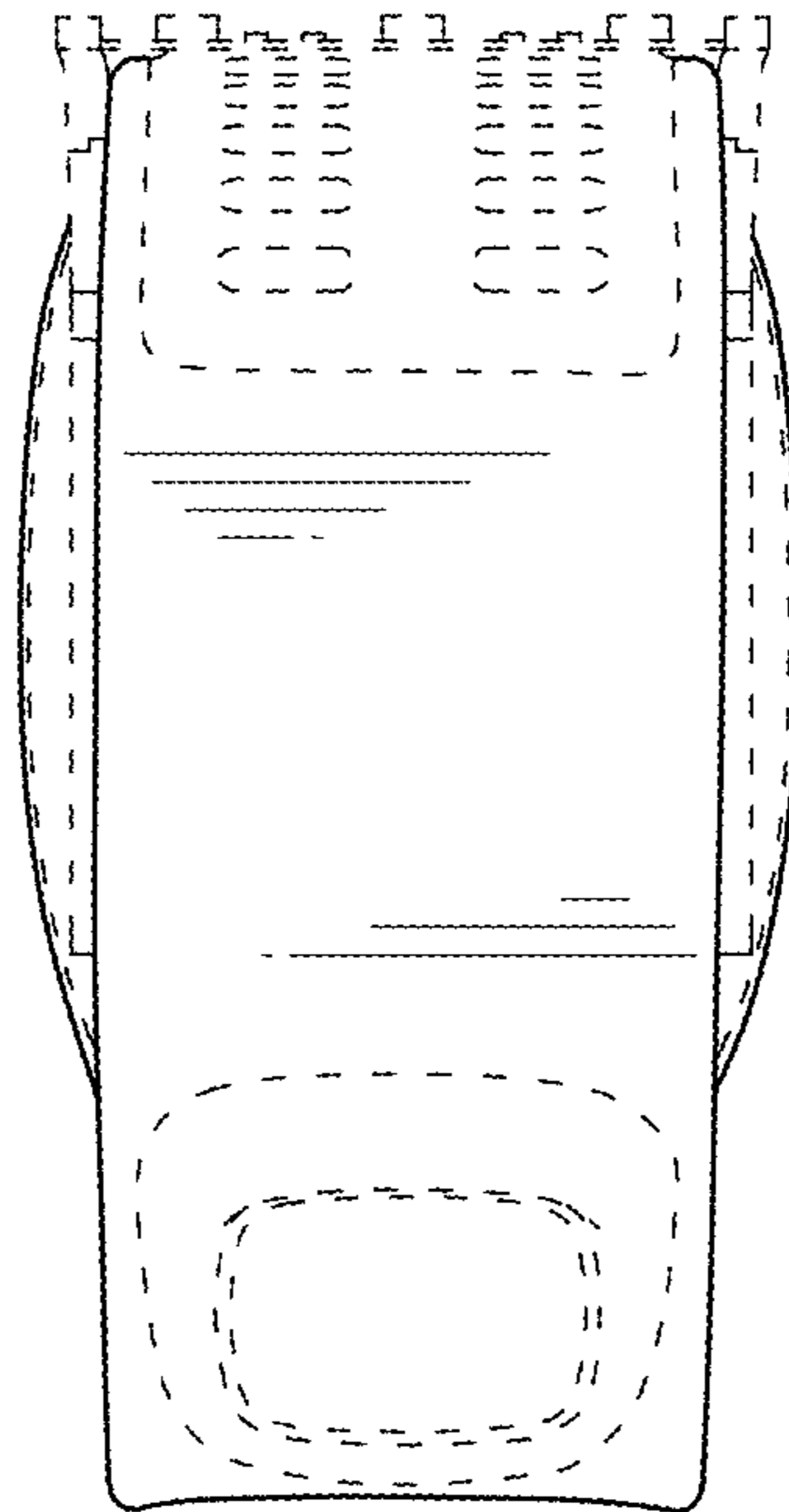


Fig.39

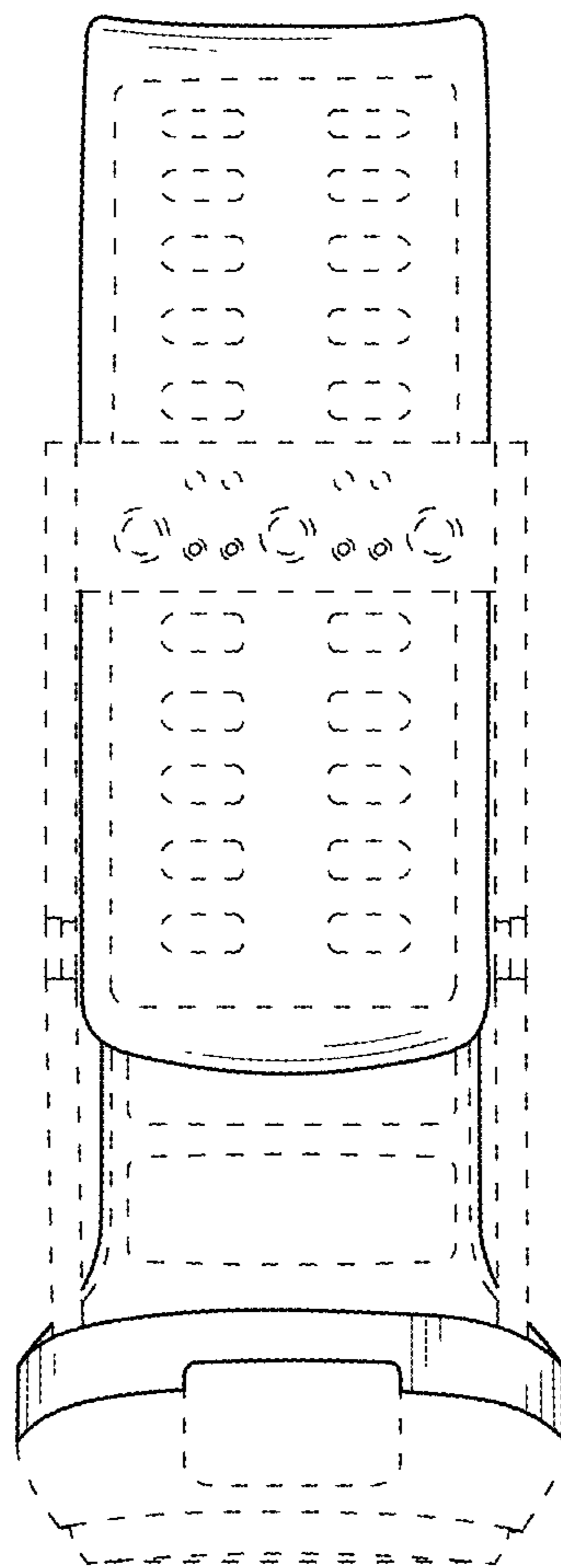


Fig.40

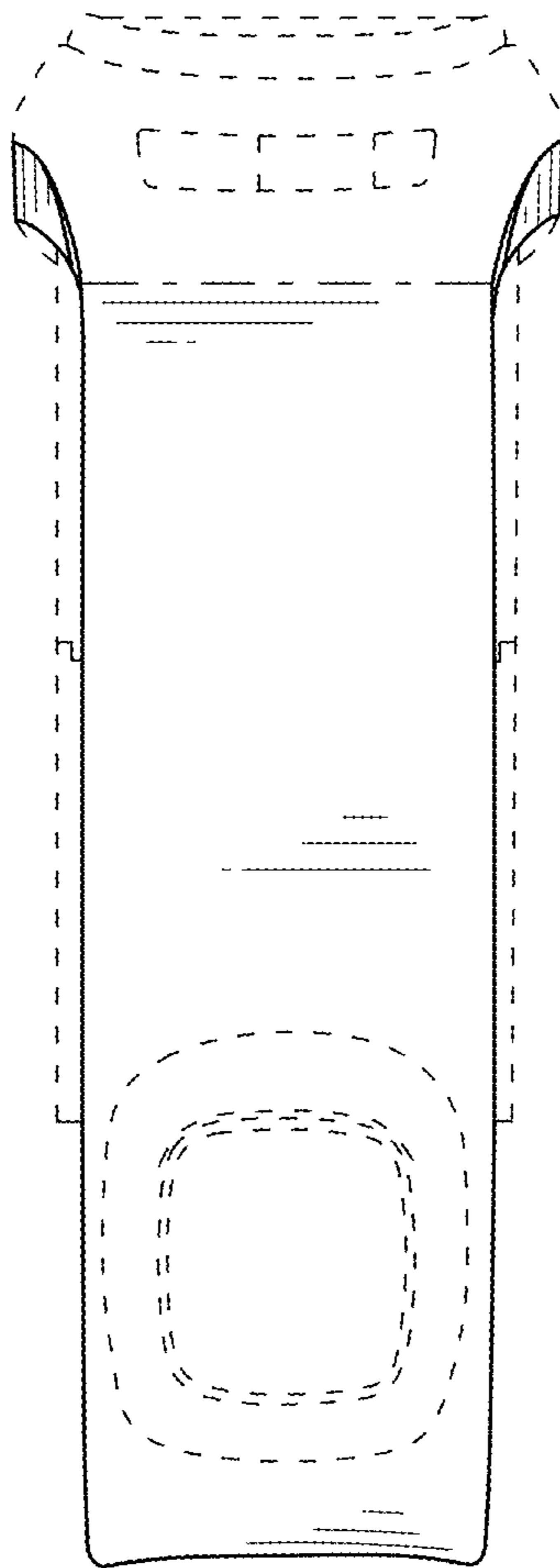


Fig.41

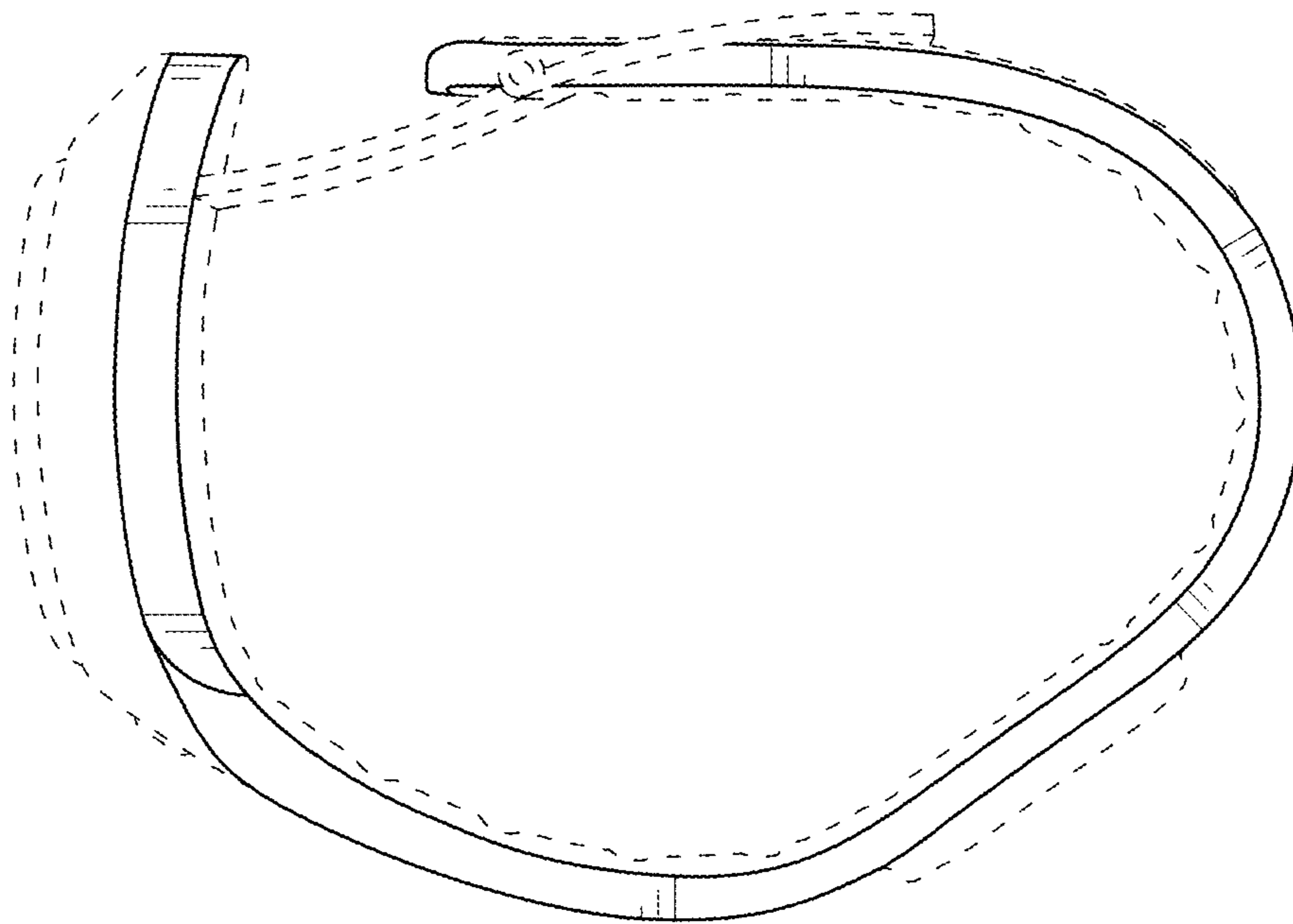


Fig.42

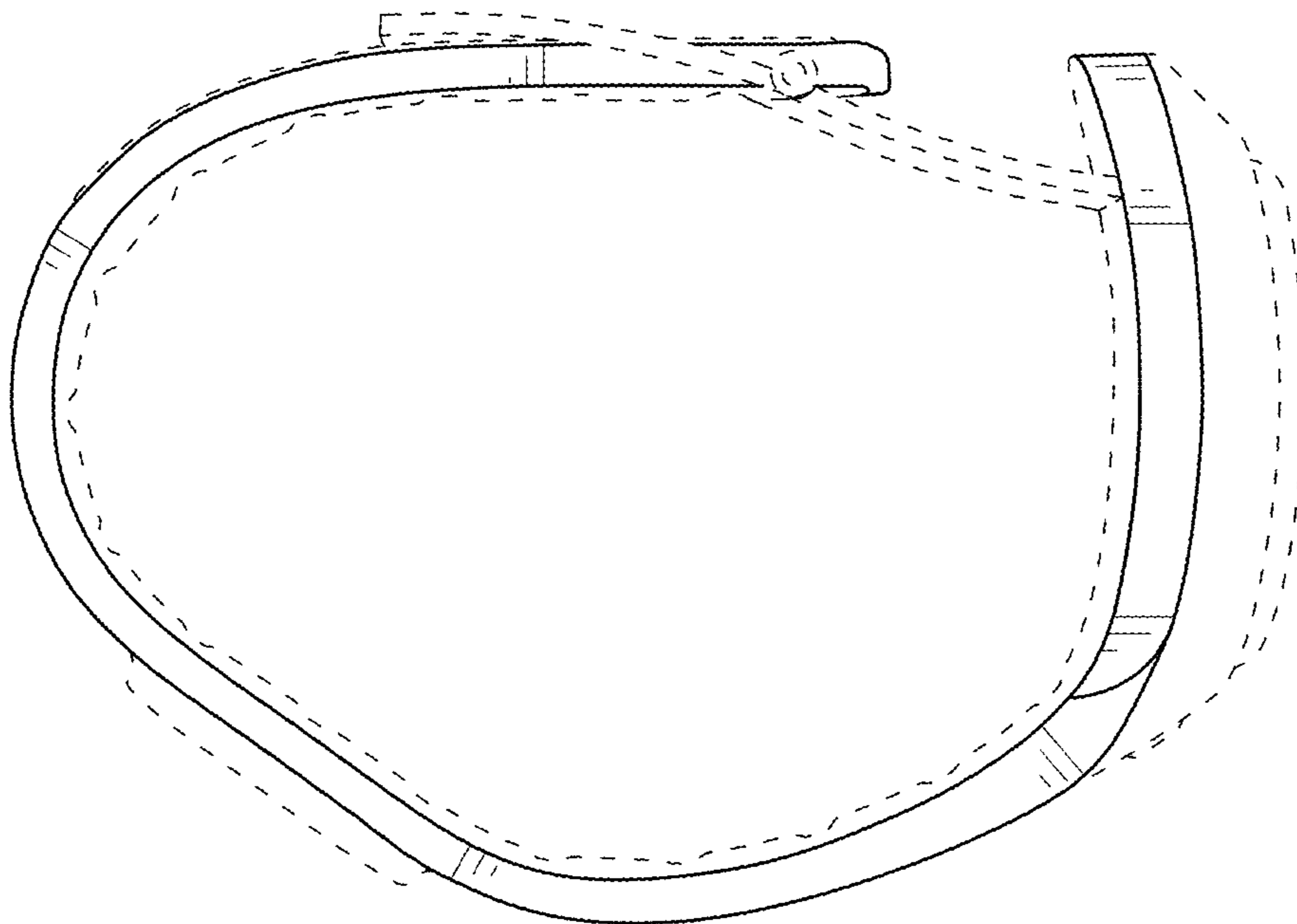


Fig. 43

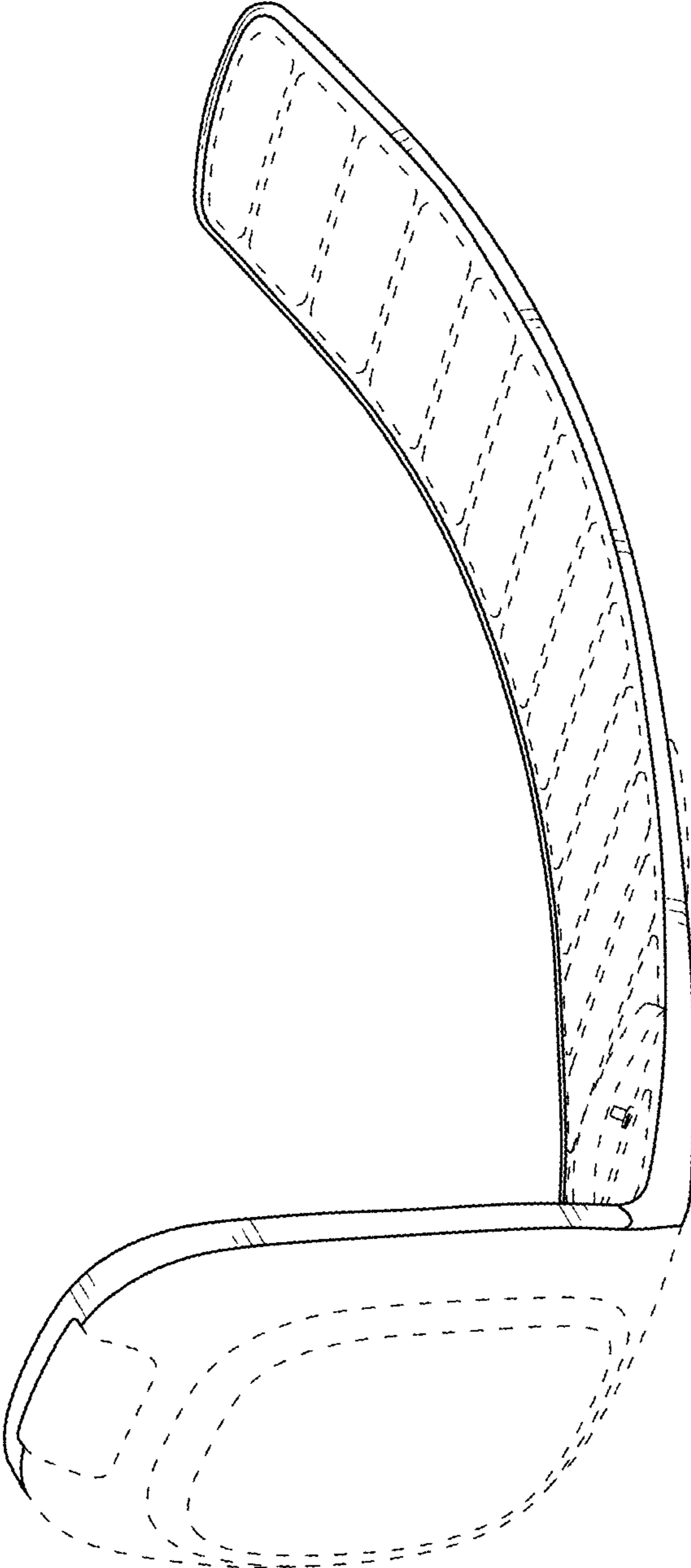


Fig.44

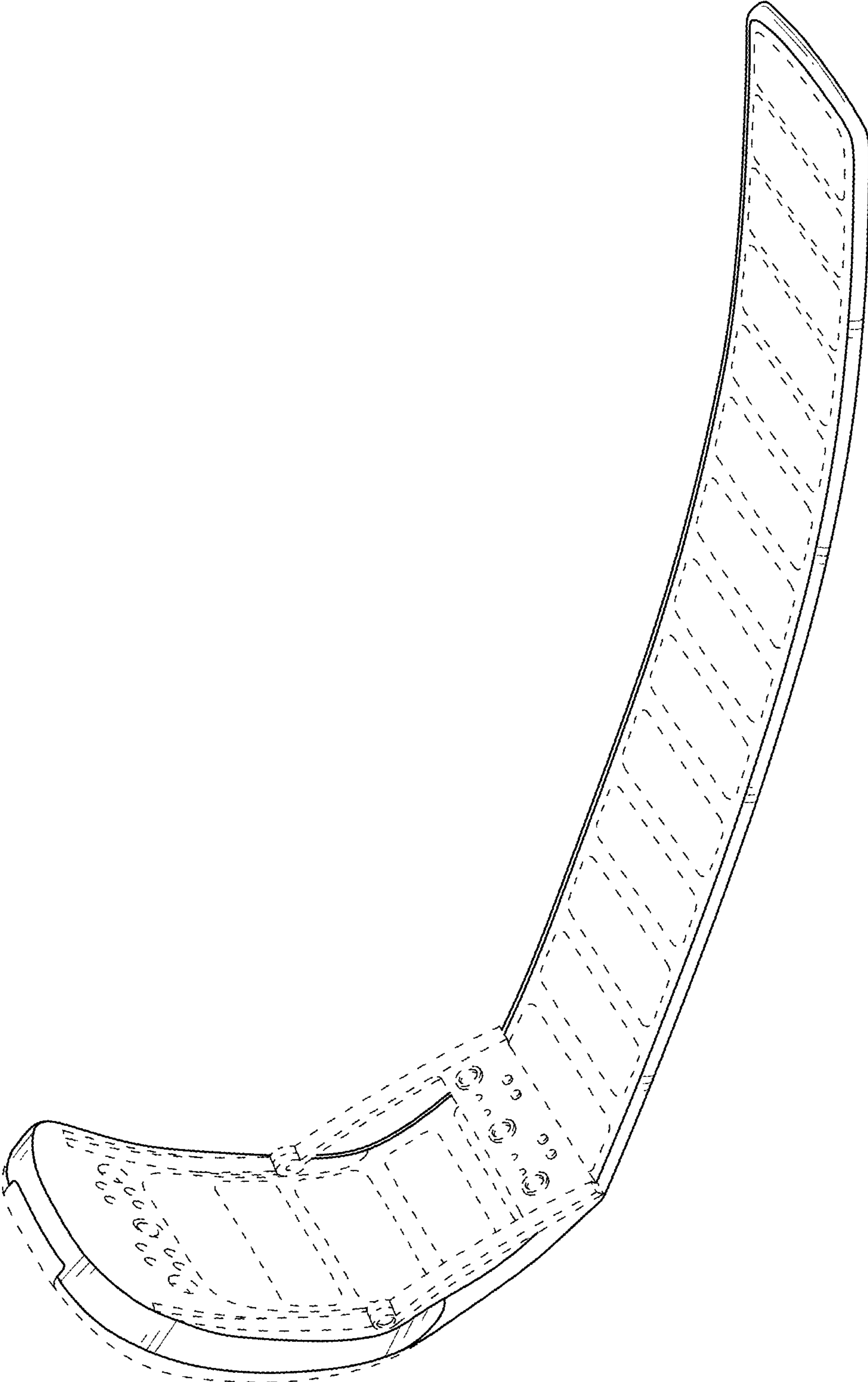


Fig.45

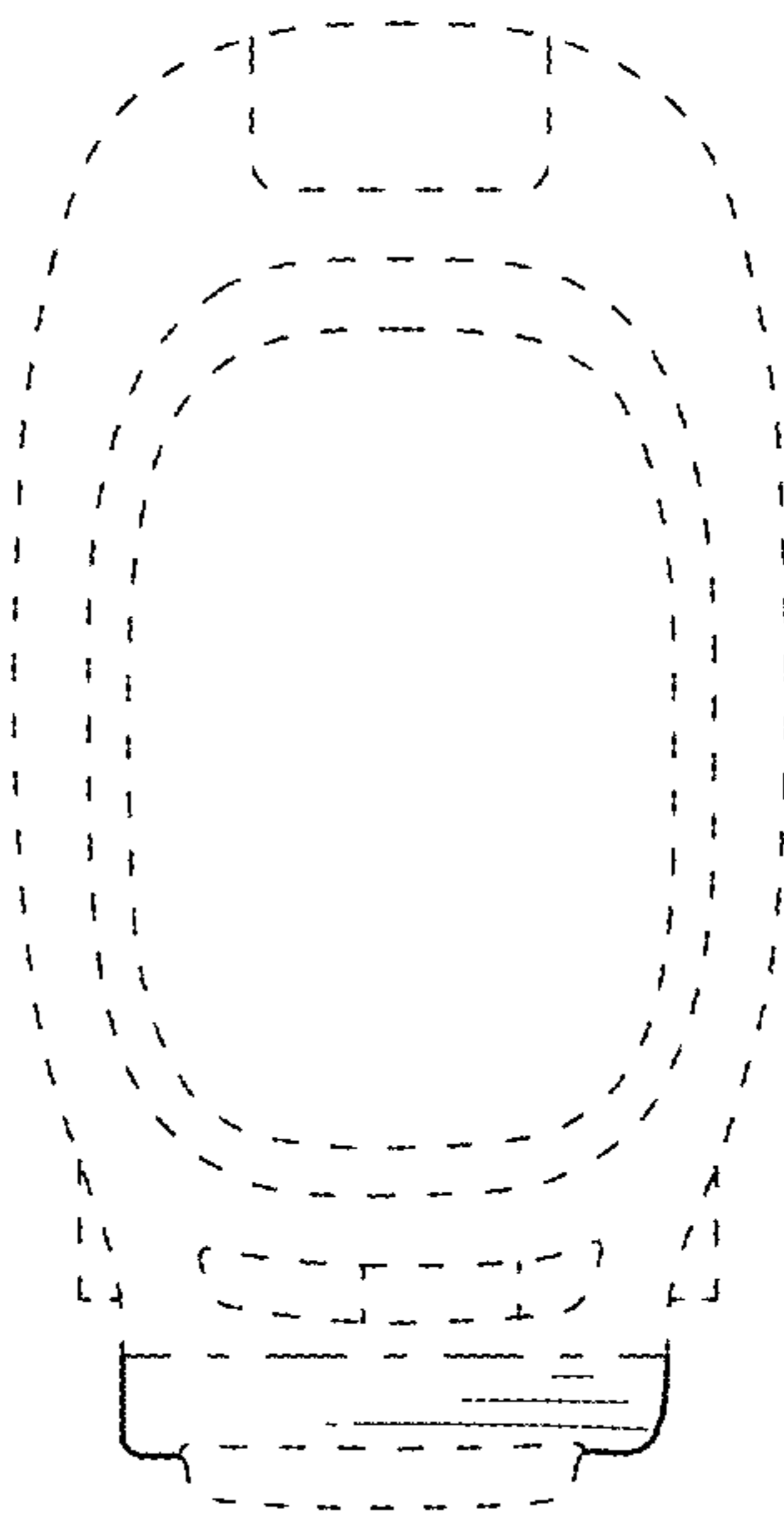


Fig.46

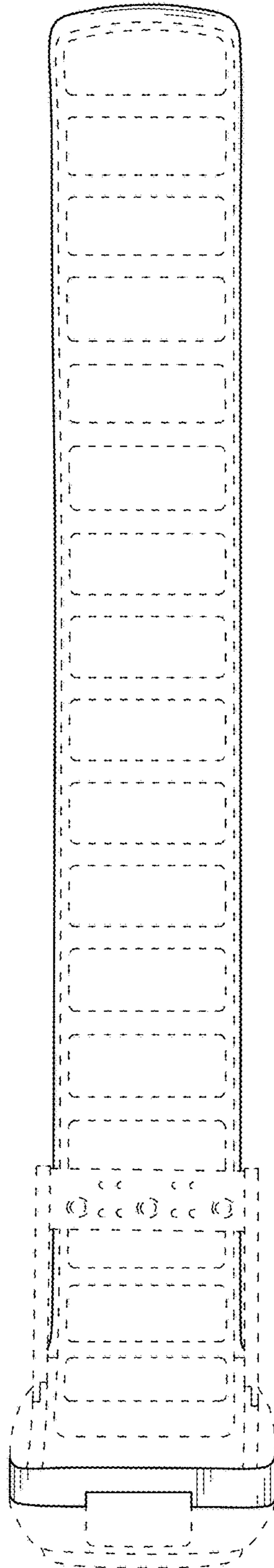


Fig.47

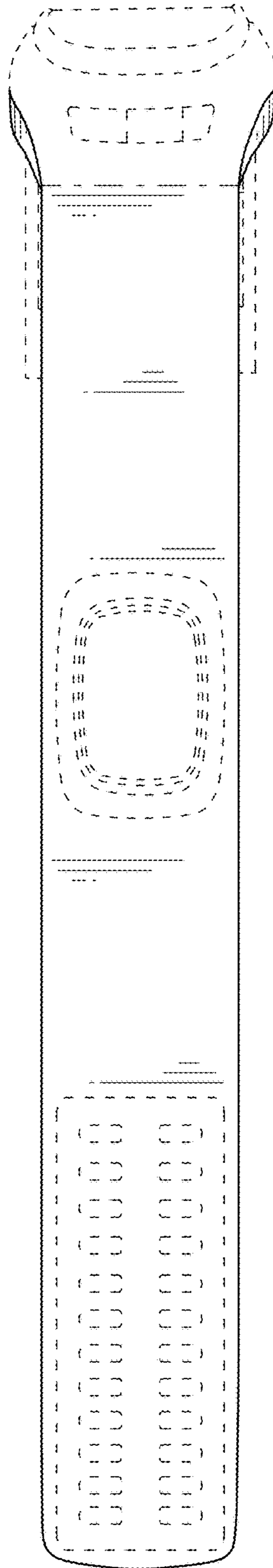


Fig.48

