



US00D800310S

(12) **United States Design Patent**
Scatterday

(10) **Patent No.:** **US D800,310 S**

(45) **Date of Patent:** **** Oct. 17, 2017**

(54) **ELECTRONIC VAPORIZER**

(71) Applicant: **Mark Scatterday**, Scottsdale, AZ (US)

(72) Inventor: **Mark Scatterday**, Scottsdale, AZ (US)

(**) Term: **15 Years**

(21) Appl. No.: **29/544,857**

(22) Filed: **Nov. 6, 2015**

(51) **LOC (10) Cl.** **24-02**

(52) **U.S. Cl.**
USPC **D24/163**

(58) **Field of Classification Search**
USPC D24/100, 110.5, 163; D27/101, 163,
D27/167, 170, 172, 189, 251; D19/101,
D19/102, 190, 920; 131/270–273, 329,
131/330, 360–368
CPC A24F 1/00; A24F 9/00; A24F 13/00; A24F
5/00; A24F 47/002; A61M 11/00; A61M
15/06; A24D 1/00

See application file for complete search history.

(56) **References Cited**

U.S. PATENT DOCUMENTS

D453,854 S *	2/2002	Verhoeven-Koster	D27/101
D493,911 S *	8/2004	Somma	D27/101
D590,988 S *	4/2009	Hon	D27/101
D590,989 S *	4/2009	Hon	D27/101
D653,802 S *	2/2012	Kaljura	D27/101
D654,950 S *	2/2012	Ryan	D19/133
D667,878 S *	9/2012	Xie	D19/163
D687,181 S *	7/2013	Goch	D27/101
D692,612 S *	10/2013	Lowenthal	D13/103
D696,455 S *	12/2013	Abroff	D27/101
D696,815 S *	12/2013	Abroff	D27/101
D699,391 S *	2/2014	Abroff	D27/101
D724,781 S *	3/2015	Hearn	D27/101
D725,821 S *	3/2015	Levin	D27/101
D736,994 S *	8/2015	Mittersinker	D27/101
D743,539 S *	11/2015	Chung	D24/113

D750,320 S *	2/2016	Verleur	D27/101
D750,834 S *	3/2016	Wei	D27/101
D750,835 S *	3/2016	Wei	D27/101
D752,278 S *	3/2016	Verleur	D13/103
D753,872 S *	4/2016	Mittersinker	D27/101
D754,389 S *	4/2016	Mittersinker	D27/101
D754,390 S *	4/2016	Mittersinker	D27/101
D758,650 S *	6/2016	Wu	D27/101
D758,651 S *	6/2016	Wu	D27/101

(Continued)

Primary Examiner — Wan Laymon

Assistant Examiner — Clint A Samuel

(74) *Attorney, Agent, or Firm* — Schmeiser, Olsen & Watts LLP

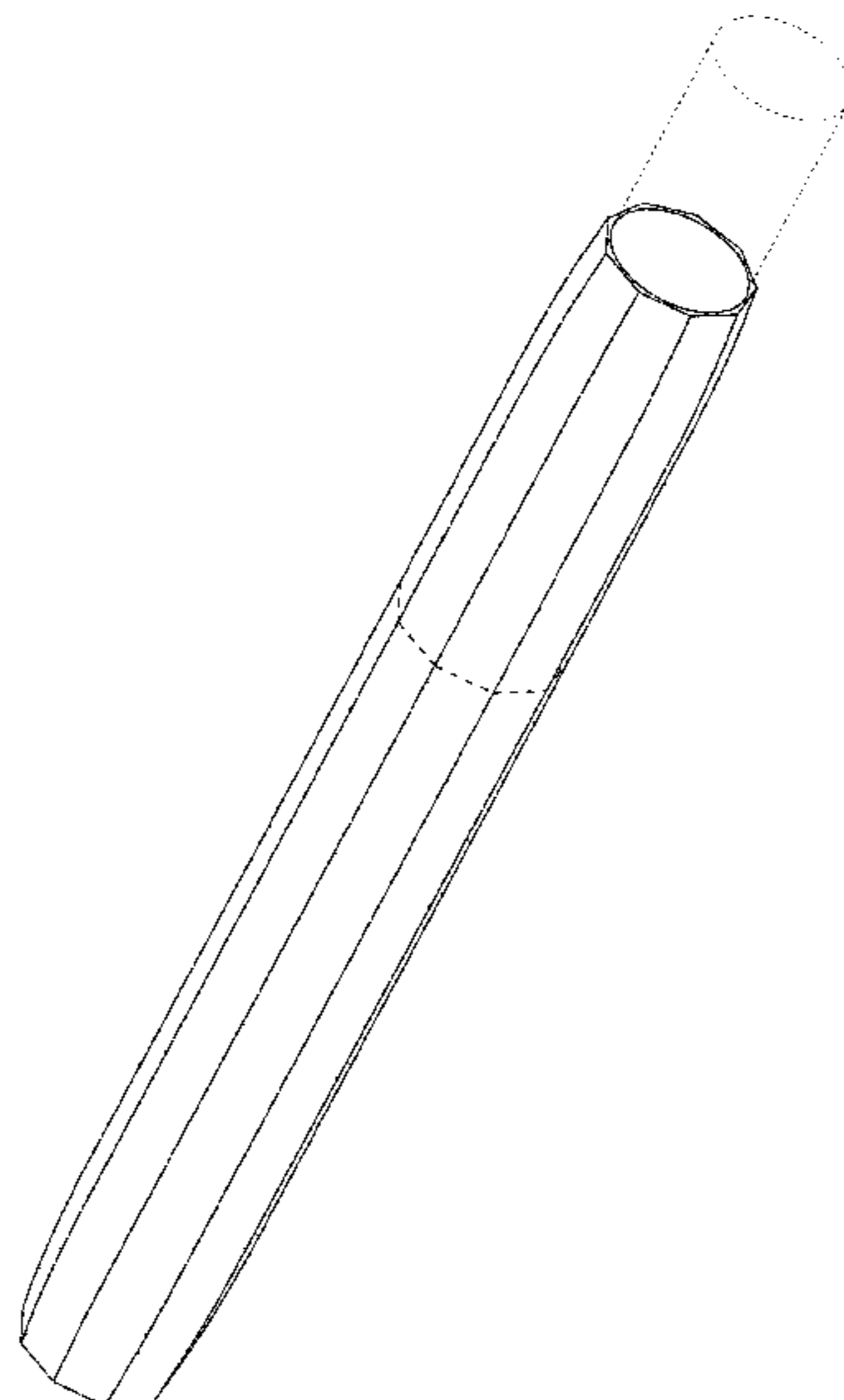
(57) **CLAIM**

The ornamental design for an electronic vaporizer, as shown and described.

DESCRIPTION

FIG. 1 is a perspective view of the electronic vaporizer; FIG. 2 is a side perspective view showing the top of the electronic vaporizer; FIG. 3 is a side perspective view showing the bottom of the electronic vaporizer; FIG. 4 is a top plan view of the electronic vaporizer; FIG. 5 is a bottom plan view of the electronic vaporizer; FIG. 6 is a right side elevational view of the electronic vaporizer; FIG. 7 is a left side elevational view of the electronic vaporizer; FIG. 8 is a front elevational view of the electronic vaporizer; and, FIG. 9 is a rear elevational view of the electronic vaporizer. The broken lines in FIGS. 1-3 and 6-8 is for the purpose of illustrating that the electronic vaporizer may be two components coupled together and forms no part of the claimed design.

1 Claim, 5 Drawing Sheets



(56)

References Cited

U.S. PATENT DOCUMENTS

D776,869 S * 1/2017 Heidl D27/163
2014/0363145 A1* 12/2014 Plojoux A24F 47/008
392/386
2014/0366899 A1* 12/2014 Plojoux A24F 47/008
131/329
2014/0366900 A1* 12/2014 Plojoux A24F 47/008
131/329

* cited by examiner

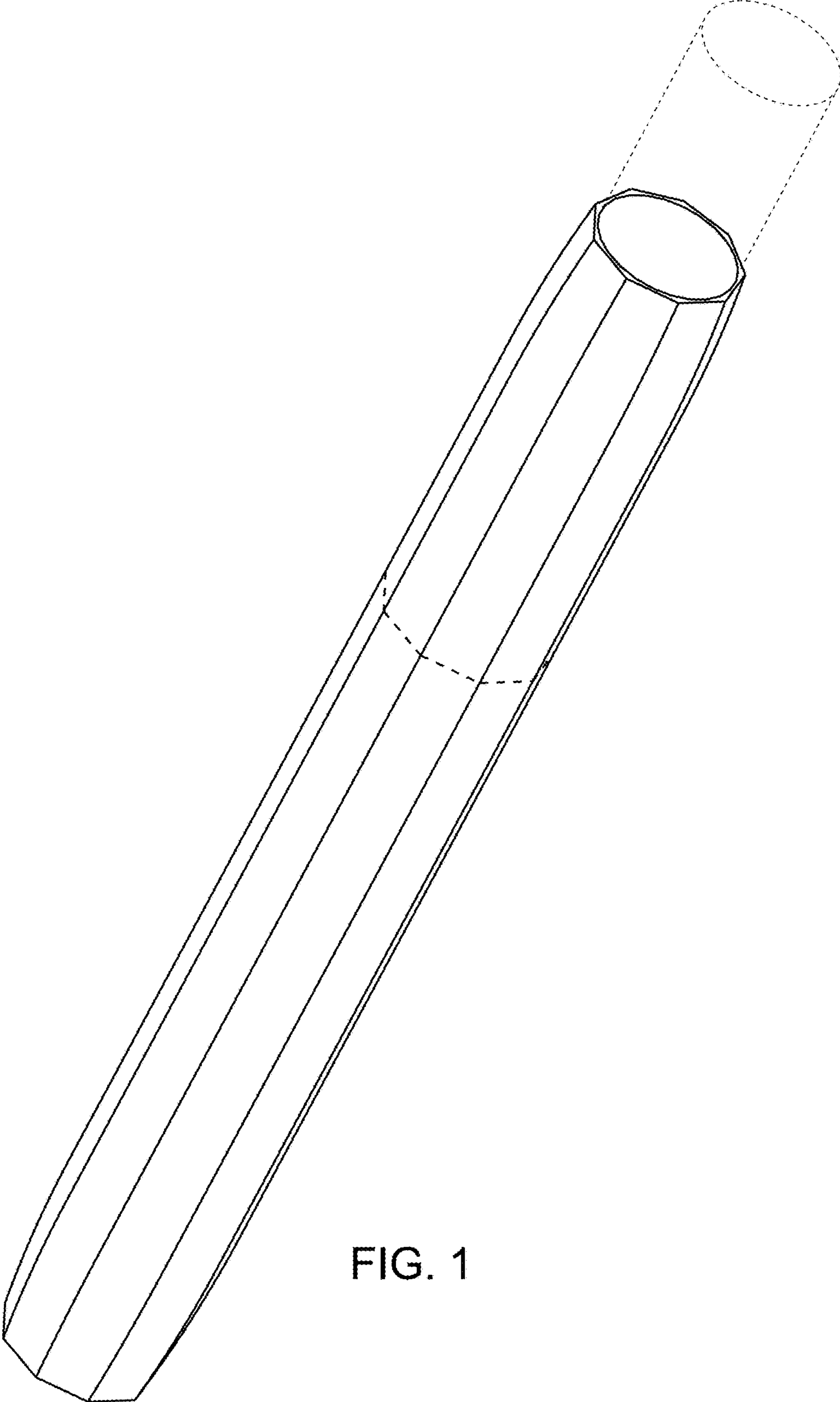


FIG. 1

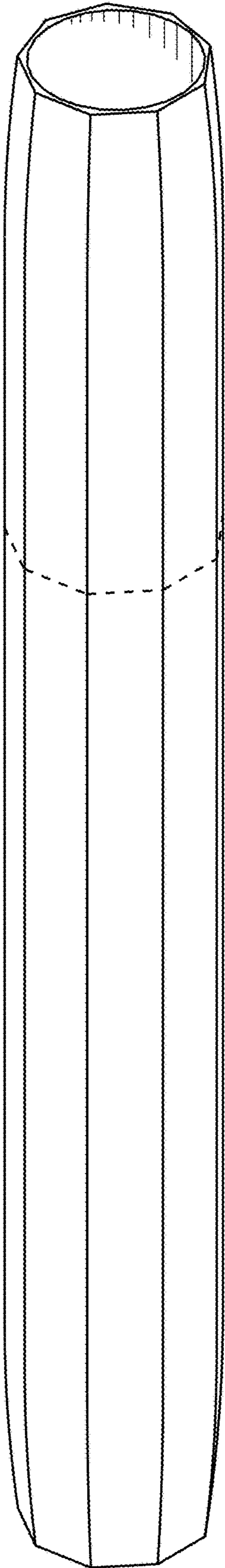


FIG. 2

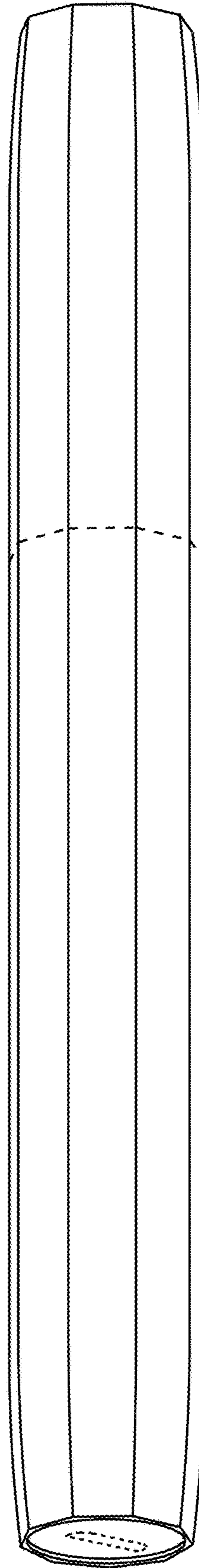


FIG. 3

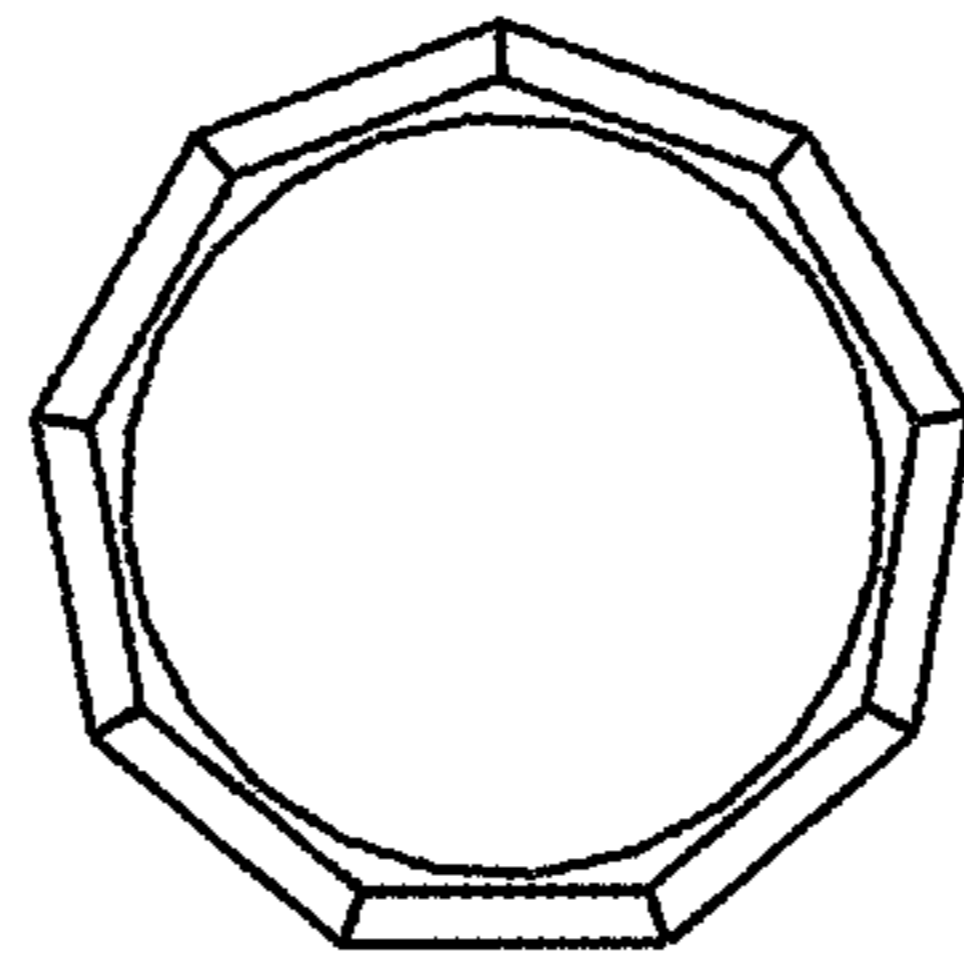


FIG. 4

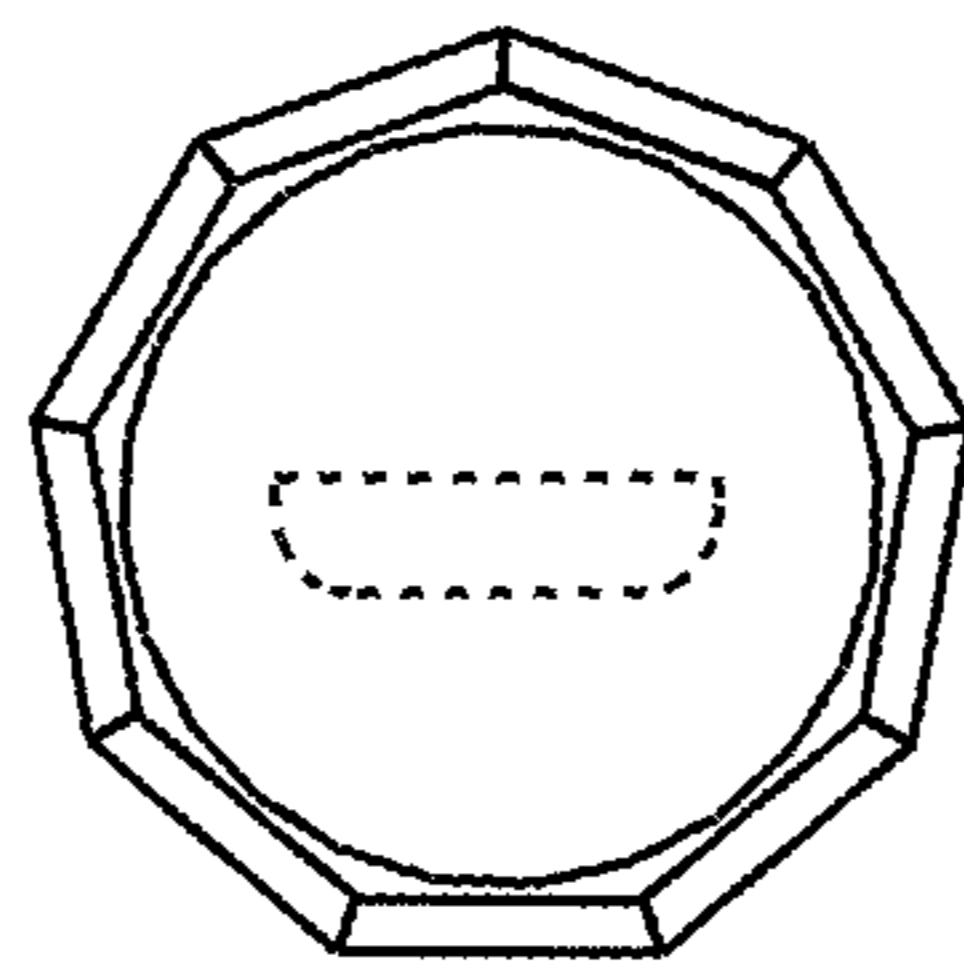


FIG. 5

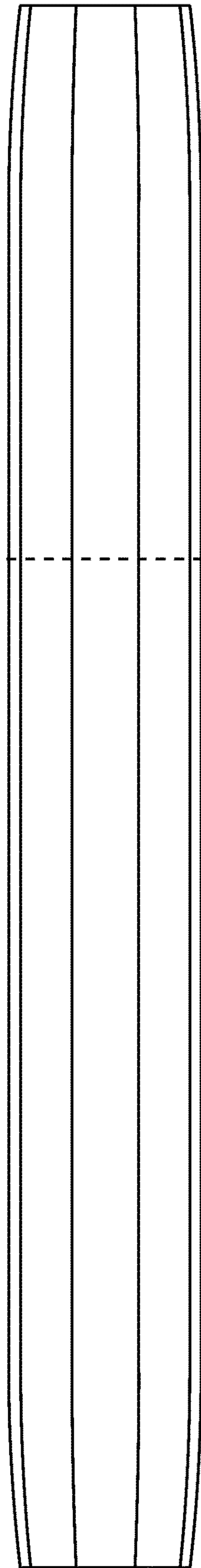


FIG. 6

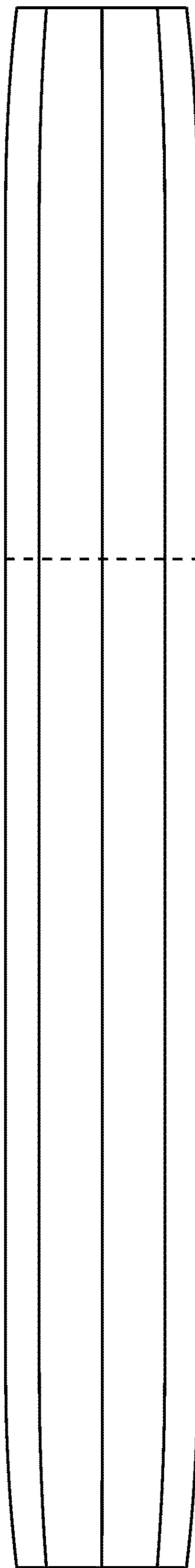


FIG. 7

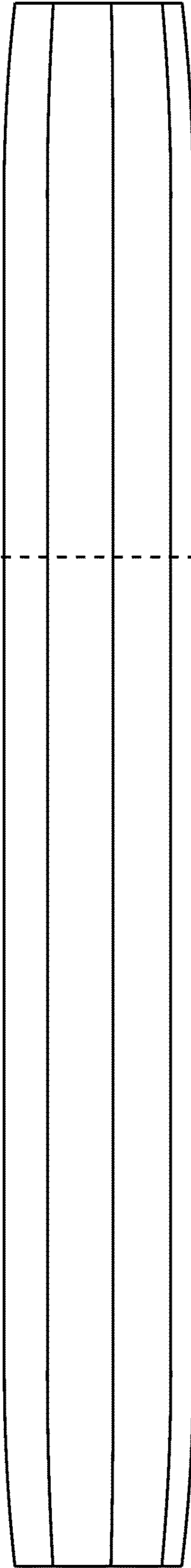


FIG. 8

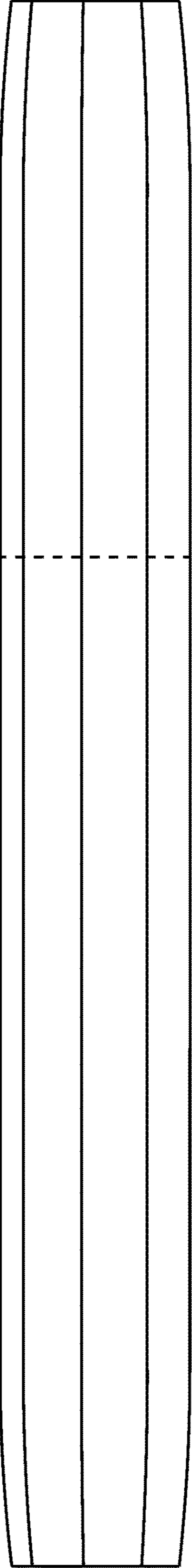


FIG. 9