



US00D800309S

(12) **United States Design Patent**
Mattiuzzo

(10) **Patent No.:** **US D800,309 S**
(45) **Date of Patent:** **** Oct. 17, 2017**

(54) **X-RAY APPARATUS**
(71) Applicant: **Giulio Mattiuzzo**, Rimini (IT)
(72) Inventor: **Giulio Mattiuzzo**, Rimini (IT)
(73) Assignee: **CEFLA SOCIETÁ COOPERATIVA**,
Imola (IT)
(**) Term: **15 Years**

8,861,679 B2 * 10/2014 Suuronen A61B 6/0478
378/98.5
9,060,716 B2 * 6/2015 Bianconi A61B 6/032
D779,069 S * 2/2017 Mattiuzzo D24/158
2011/0142199 A1 * 6/2011 Kantor A61B 6/14
378/39
2011/0305320 A1 * 12/2011 Suuronen A61B 6/0478
378/98.5
2013/0089177 A1 * 4/2013 Baldini A61B 6/14
378/39
2014/0334599 A1 * 11/2014 Choi A61B 6/14
378/62

(21) Appl. No.: **29/549,221**

* cited by examiner

(22) Filed: **Dec. 21, 2015**

Primary Examiner — Anhdao Doan

(30) **Foreign Application Priority Data**

(74) *Attorney, Agent, or Firm* — Themis Law

Jun. 23, 2015 (EM) 002724310

(51) **LOC (10) Cl.** **24-01**

(52) **U.S. Cl.**
USPC **D24/158**

(58) **Field of Classification Search**
USPC D24/158–161, 185, 186, 107
CPC A61B 6/14; A61B 6/4411; A61B 6/4441;
A61B 6/032; A61B 5/4504; A61B 5/4547
See application file for complete search history.

(57) **CLAIM**

The ornamental design for a X-ray apparatus, as shown and described.

(56) **References Cited**

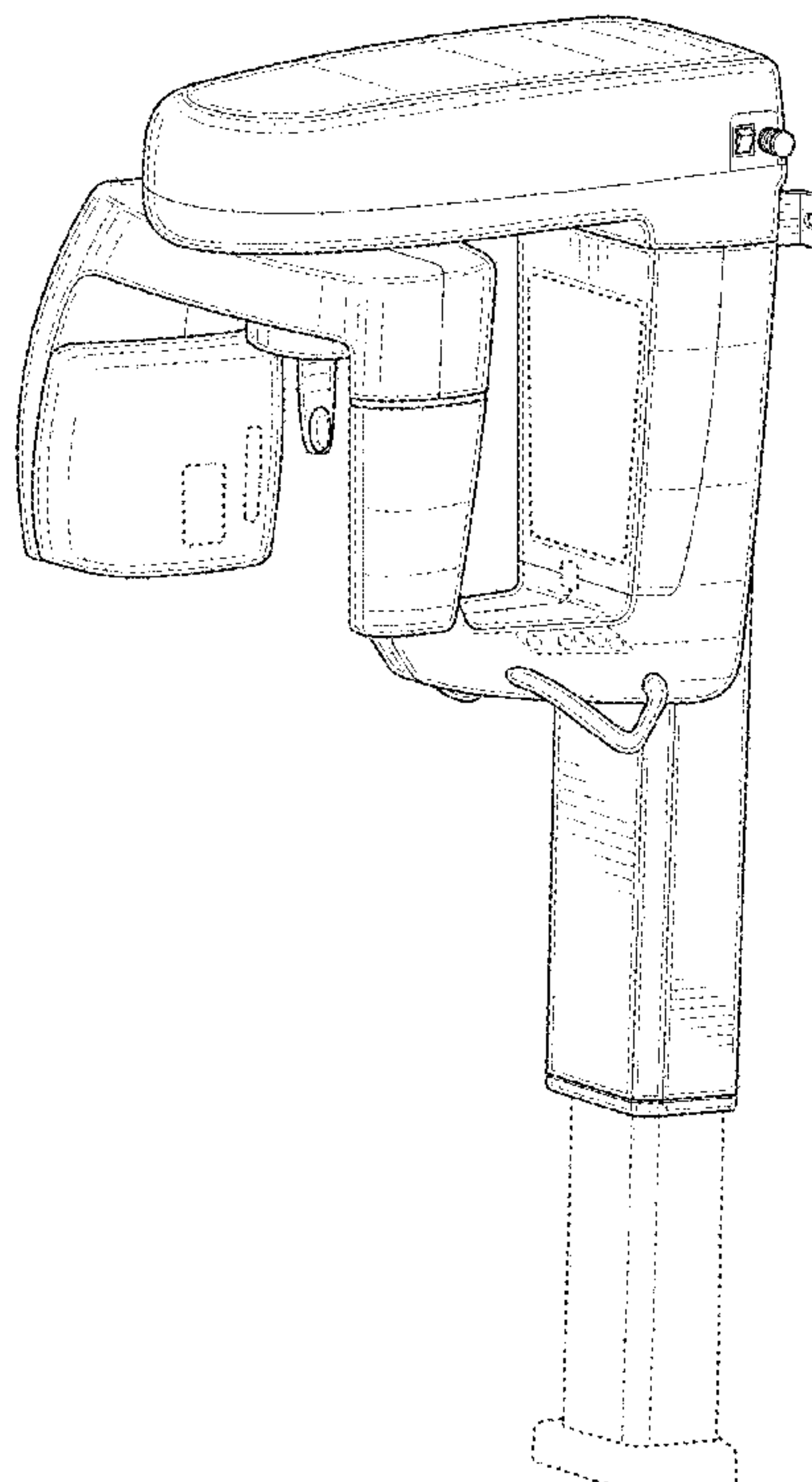
DESCRIPTION

U.S. PATENT DOCUMENTS

D571,471 S * 6/2008 Stockl D24/158
D604,414 S * 11/2009 Otsuka D24/158
D704,339 S * 5/2014 Mattiuzzo D24/158
D704,340 S * 5/2014 Mattiuzzo D24/158

FIG. 1 is a perspective view of a X-ray apparatus showing my new design;
FIG. 2 is a front elevational view thereof;
FIG. 3 is a right side elevational view thereof;
FIG. 4 is a left side elevational view thereof;
FIG. 5 is a rear elevational view thereof;
FIG. 6 is a top plan view thereof; and,
FIG. 7 is a bottom plan view thereof.
The broken lines in the drawings illustrate portions of the X-ray apparatus that form no part of the claimed design.

1 Claim, 7 Drawing Sheets



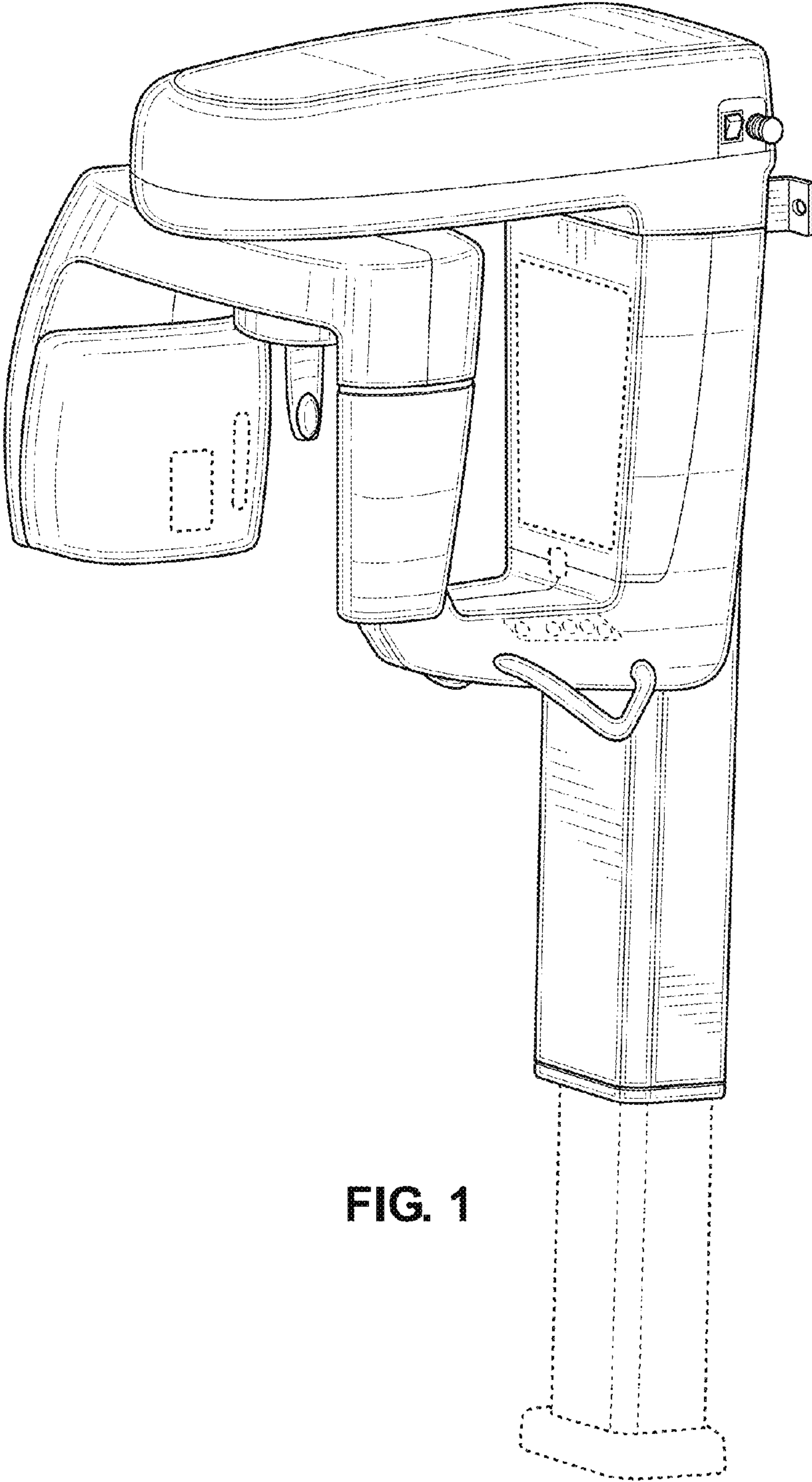


FIG. 1

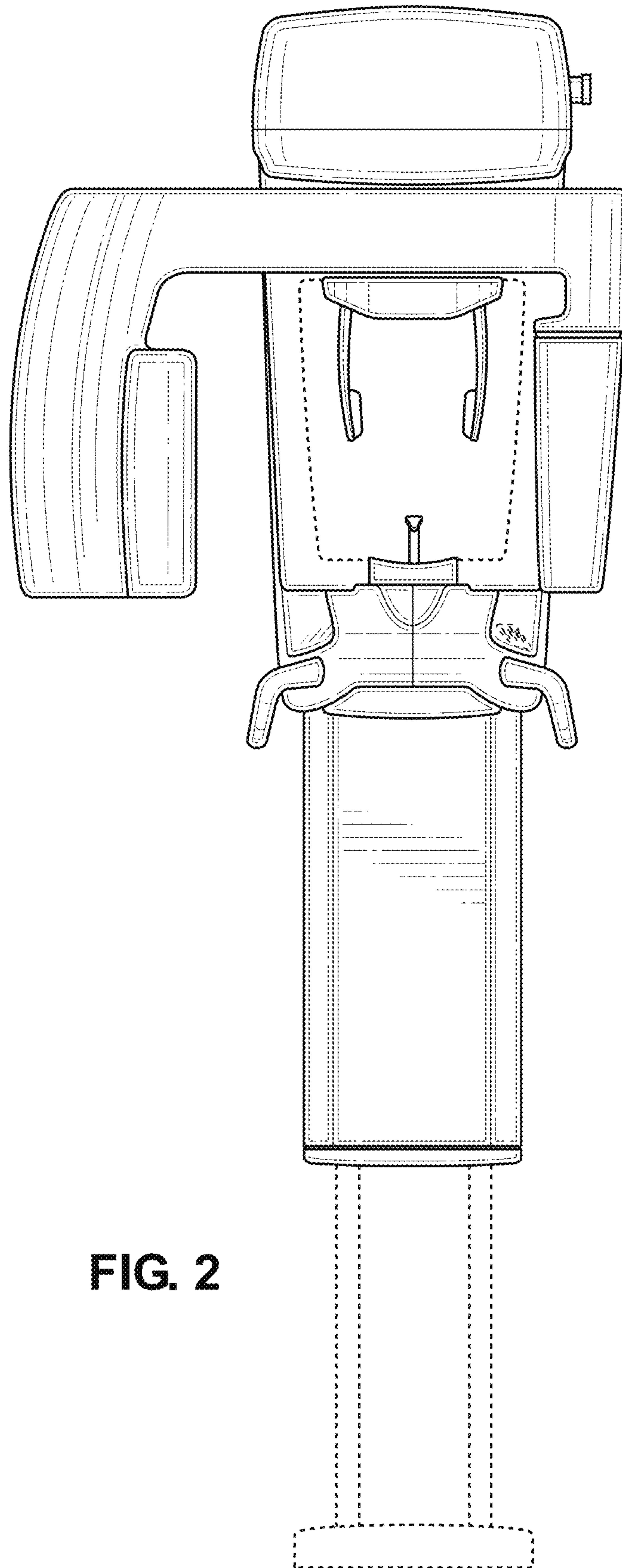


FIG. 2

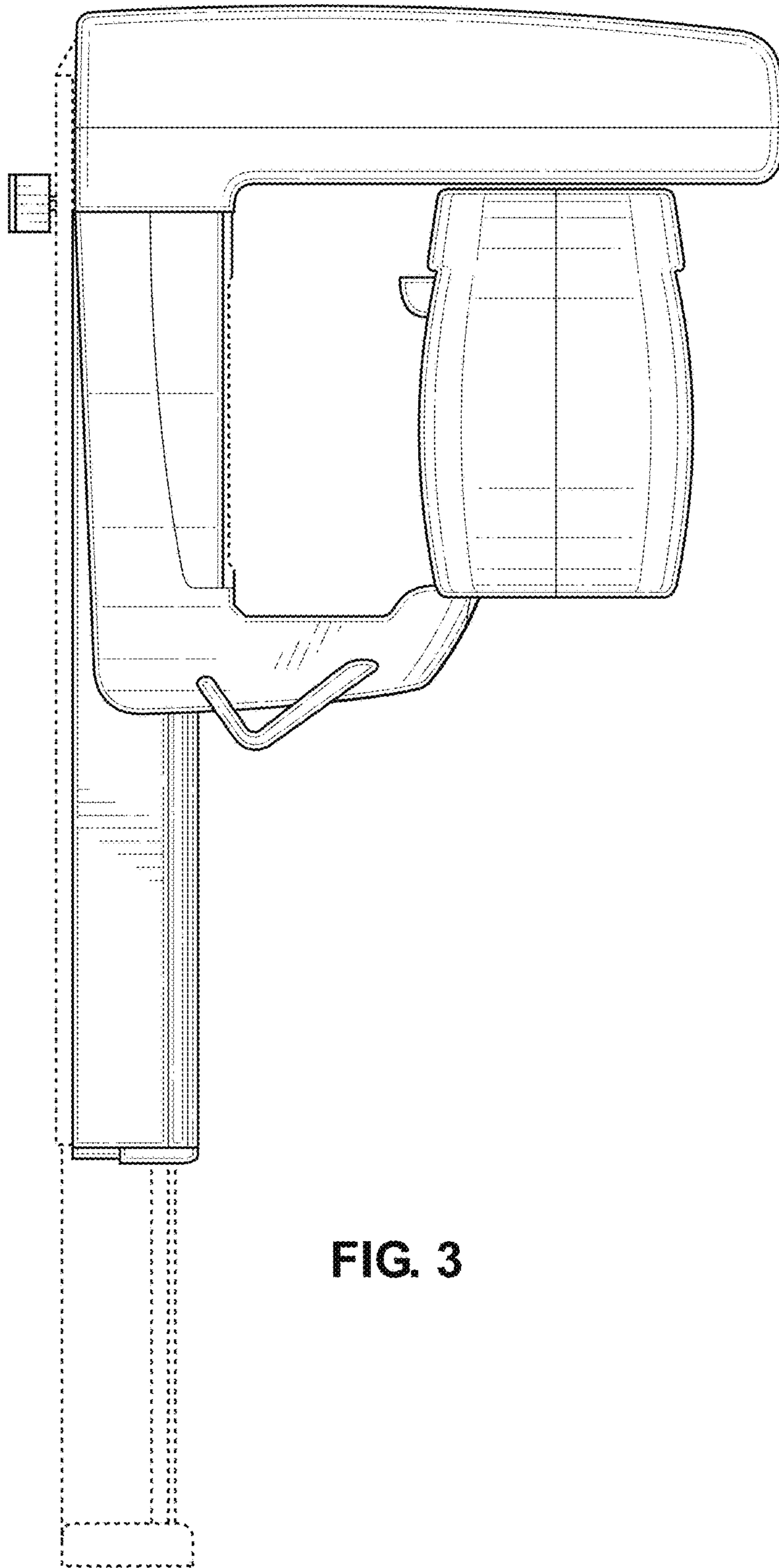


FIG. 3

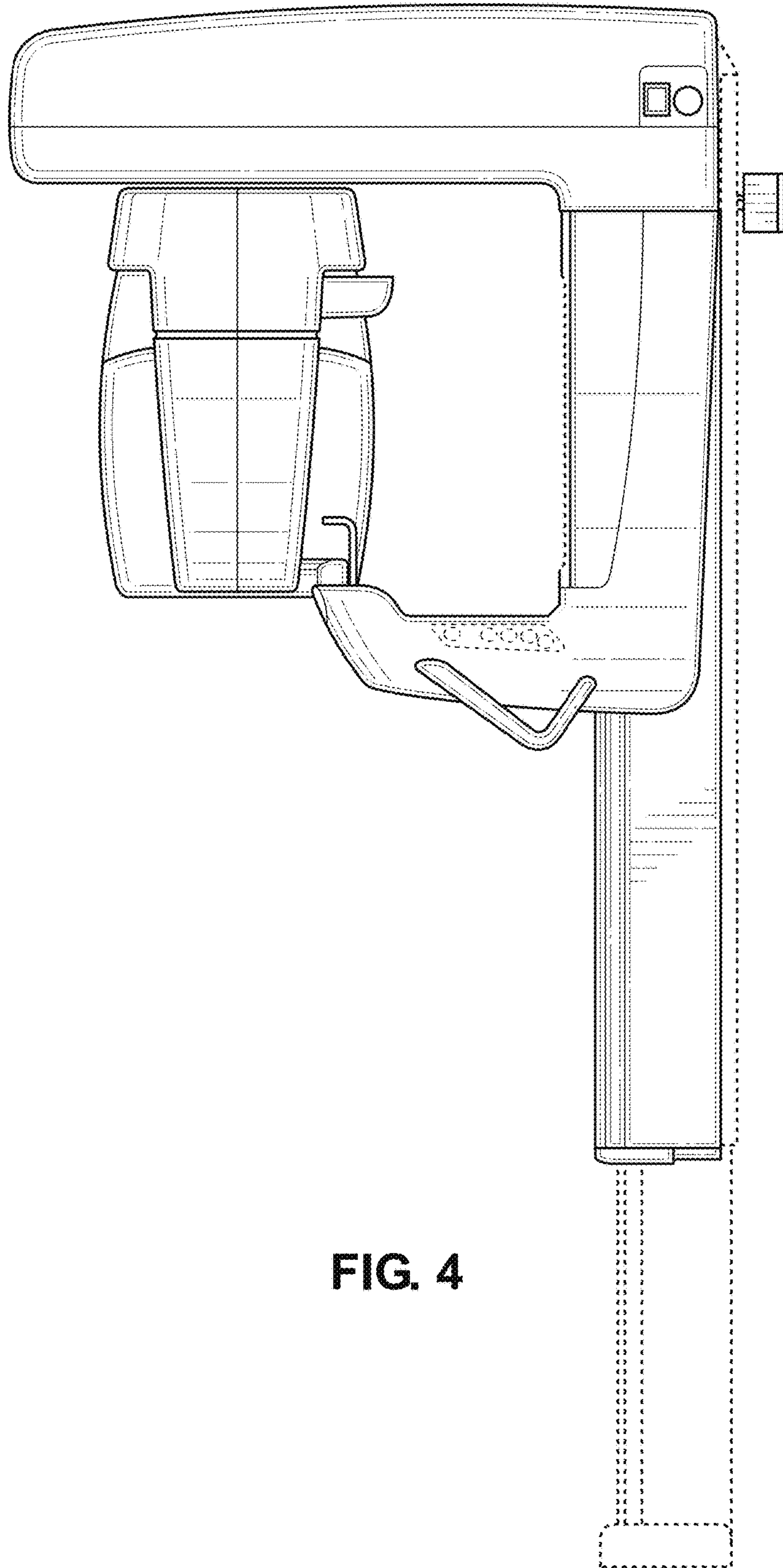


FIG. 4

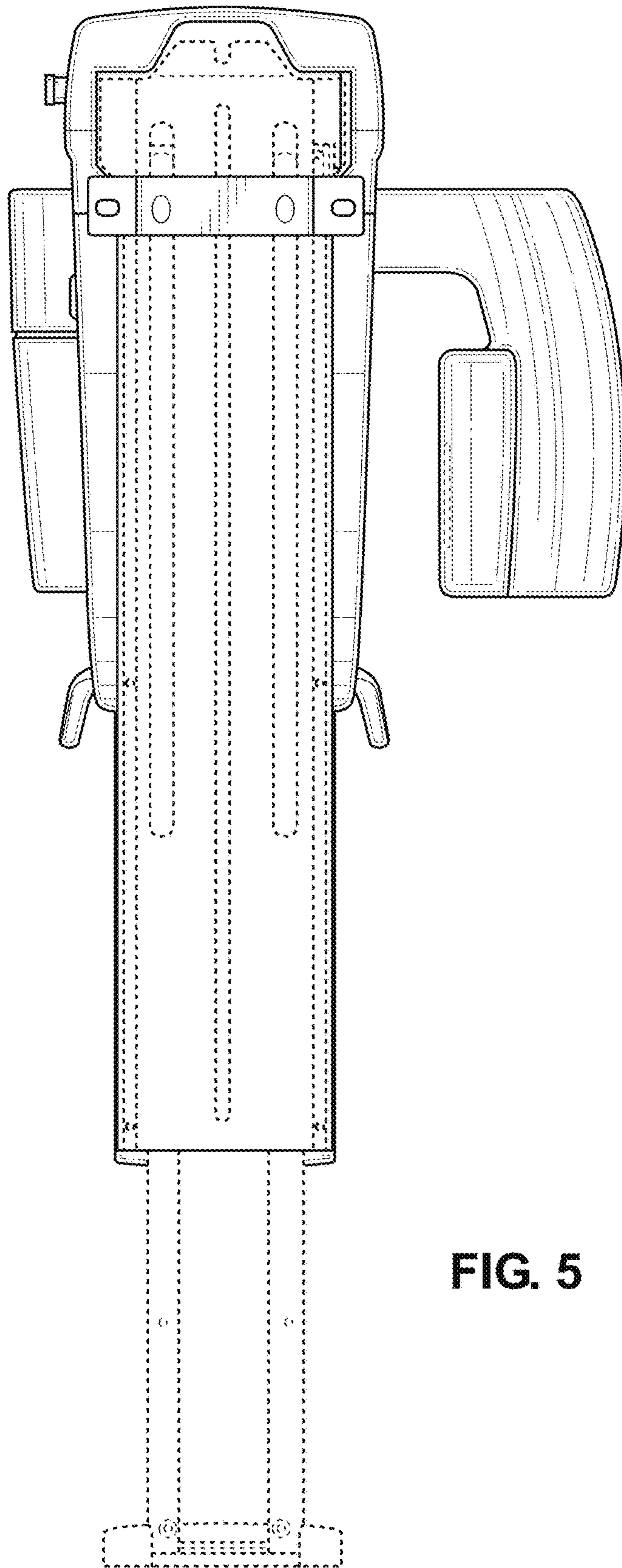


FIG. 5

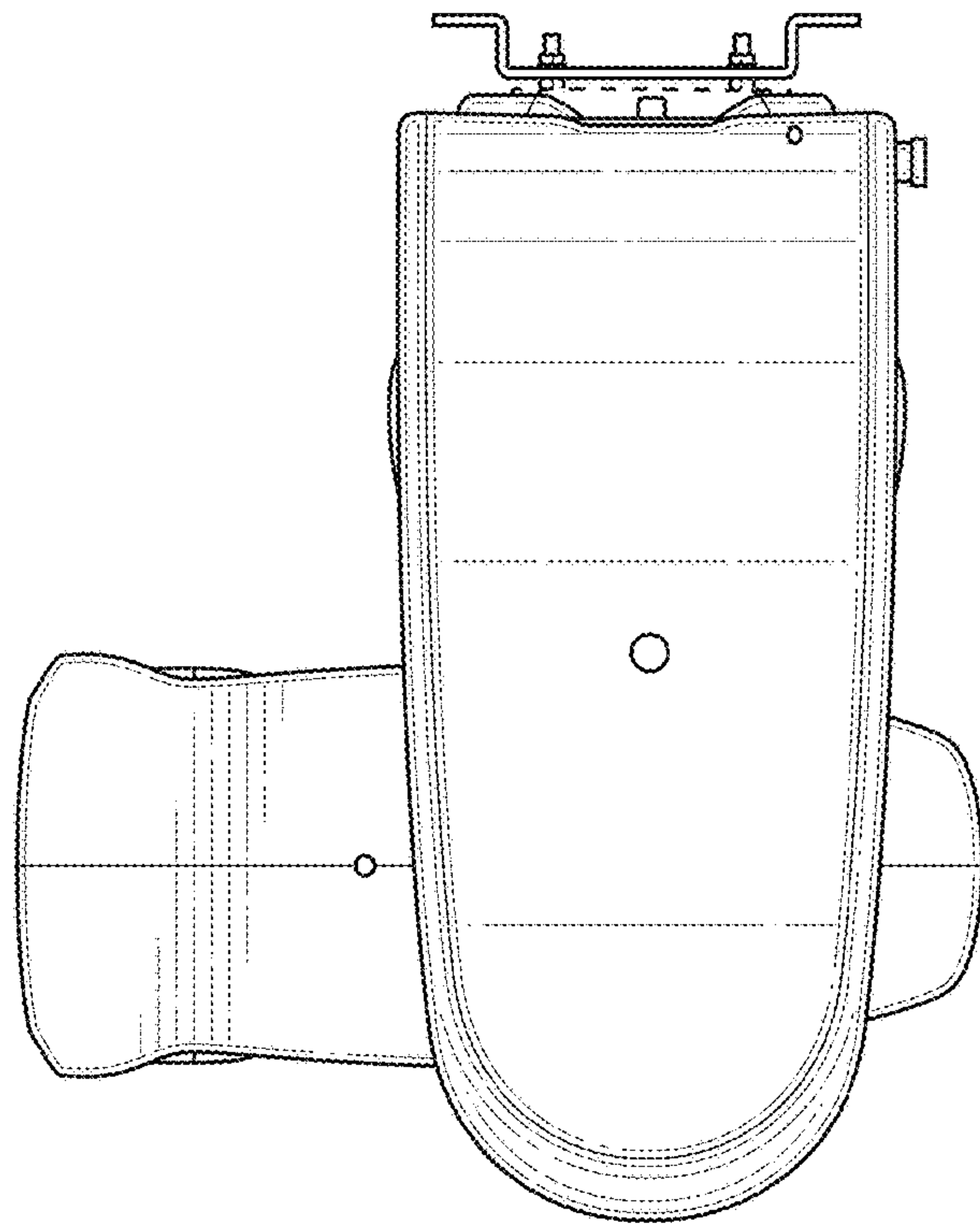


FIG. 6

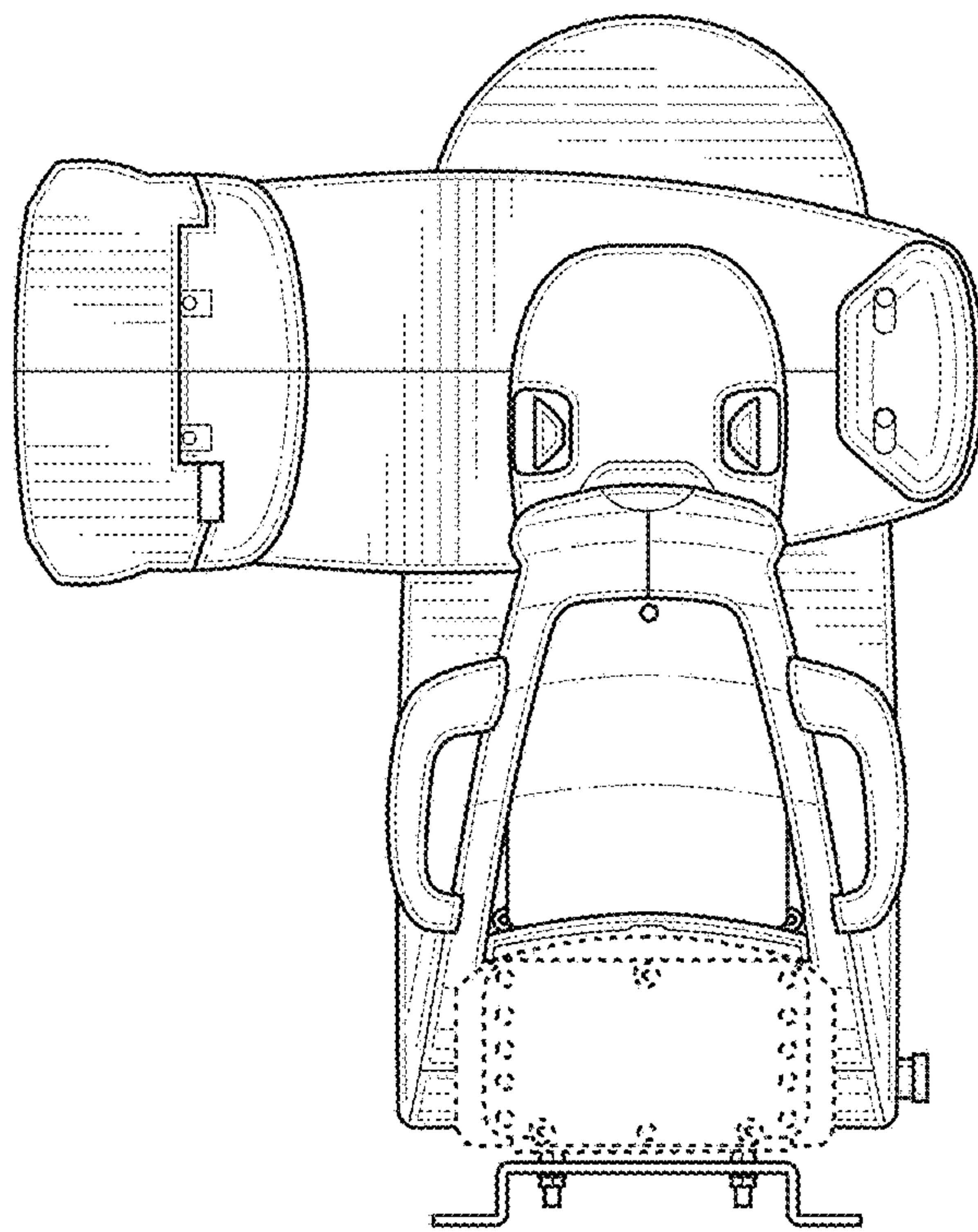


FIG. 7