

US00D800308S

(12) **United States Design Patent** (10) **Patent No.:** **US D800,308 S**  
**LeBeau** (45) **Date of Patent:** **\*\* Oct. 17, 2017**

(54) **DENTAL IMPLANT REUSABLE BITE REGISTRATION POST**

(71) Applicant: **Dene S. LeBeau**, Renton, WA (US)

(72) Inventor: **Dene S. LeBeau**, Renton, WA (US)

(\*\*) Term: **14 Years**

(21) Appl. No.: **29/519,724**

(22) Filed: **Mar. 6, 2015**

**Related U.S. Application Data**

(63) Continuation of application No. 13/715,474, filed on Dec. 14, 2012, now abandoned.

(51) **LOC (10) Cl.** ..... **24-02**

(52) **U.S. Cl.**  
USPC ..... **D24/156**

(58) **Field of Classification Search**  
USPC ..... D24/155-157

CPC ..... A61C 8/00; A61C 8/0089; A61C 8/0069;  
A61C 8/0054; A61C 8/0096; A61C  
8/0039; A61C 8/0063; A61C 8/006; A61C  
8/0001; A61C 8/0012; A61C 8/0075;  
A61C 8/0083; A61C 13/225  
See application file for complete search history.

(56) **References Cited**

**U.S. PATENT DOCUMENTS**

4,622,011	A	11/1986	Malek	
4,856,994	A	8/1989	Lazzara	
5,094,620	A	3/1992	Nordin	
5,947,736	A	9/1999	Behrend	
6,332,777	B1	12/2001	Sutter	
D652,929	S	1/2012	Sibhatu	
D666,298	S *	8/2012	Sibhatu	D24/156
D667,955	S *	9/2012	Spahn	D24/156
D729,387	S *	5/2015	Sicarelli	D24/156
D730,523	S *	5/2015	Sicarelli	D24/156

D732,668	S *	6/2015	Fisler	D24/156
D732,669	S *	6/2015	Fisler	D24/156
D736,386	S *	8/2015	Sicarelli	D24/156
D743,033	S *	11/2015	Fisler	D24/156
D749,737	S *	2/2016	Buddemeyer	D24/156
D765,862	S *	9/2016	Schendel	D24/156
2002/0127517	A1	9/2002	Morgan	
2003/0235805	A1 *	12/2003	Lax	A61C 13/30 433/220
2004/0121288	A1	6/2004	Morgan	
2006/0084033	A1	4/2006	Gittleman	
2008/0280253	A1	11/2008	Augthun	
2010/0196855	A1	8/2010	Muller	
2010/0248180	A1	9/2010	Bondar	
2012/0052463	A1	3/2012	Pollet	
2012/0202169	A1	8/2012	Ryu	
2013/0157217	A1	6/2013	LeBeau	
2014/0248586	A1 *	9/2014	Serhan	A61C 13/30 433/220
2015/0250569	A1 *	9/2015	Frick	A61C 8/005 433/202.1

\* cited by examiner

*Primary Examiner* — Charles Hanson  
(74) *Attorney, Agent, or Firm* — Christensen O'Connor Johnson Kindness PLLC

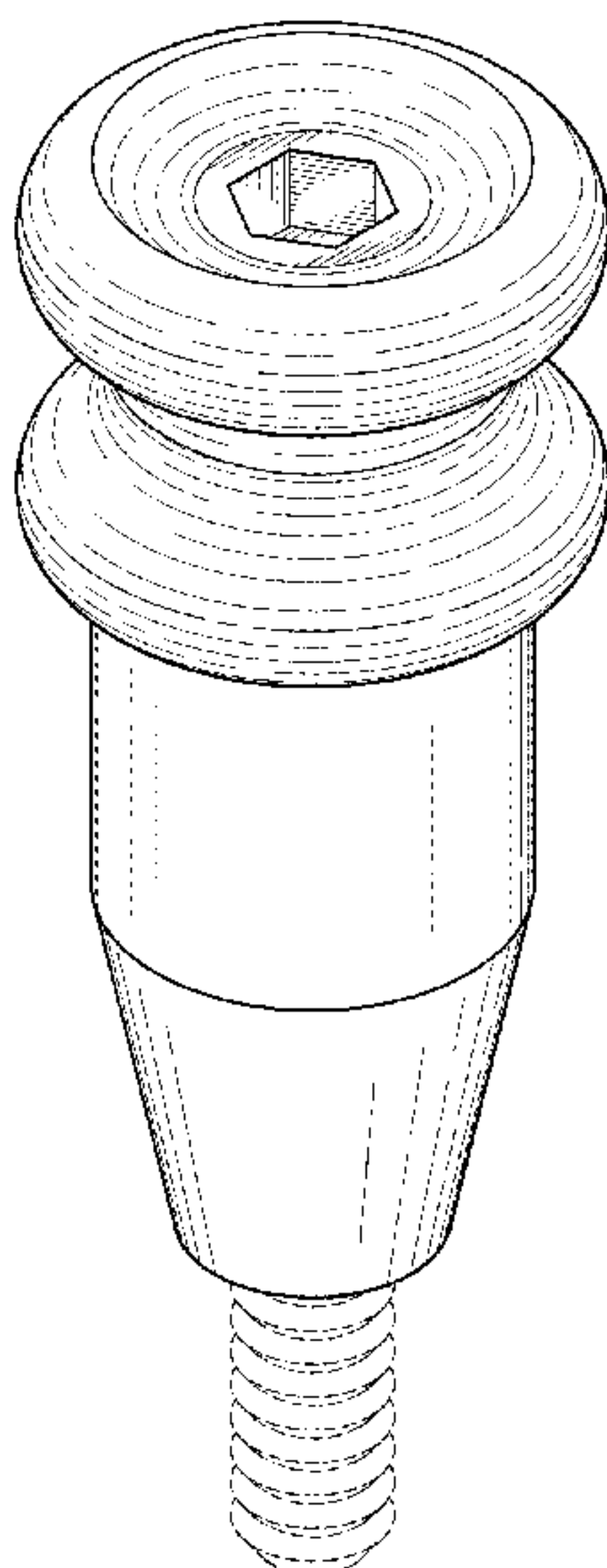
(57) **CLAIM**

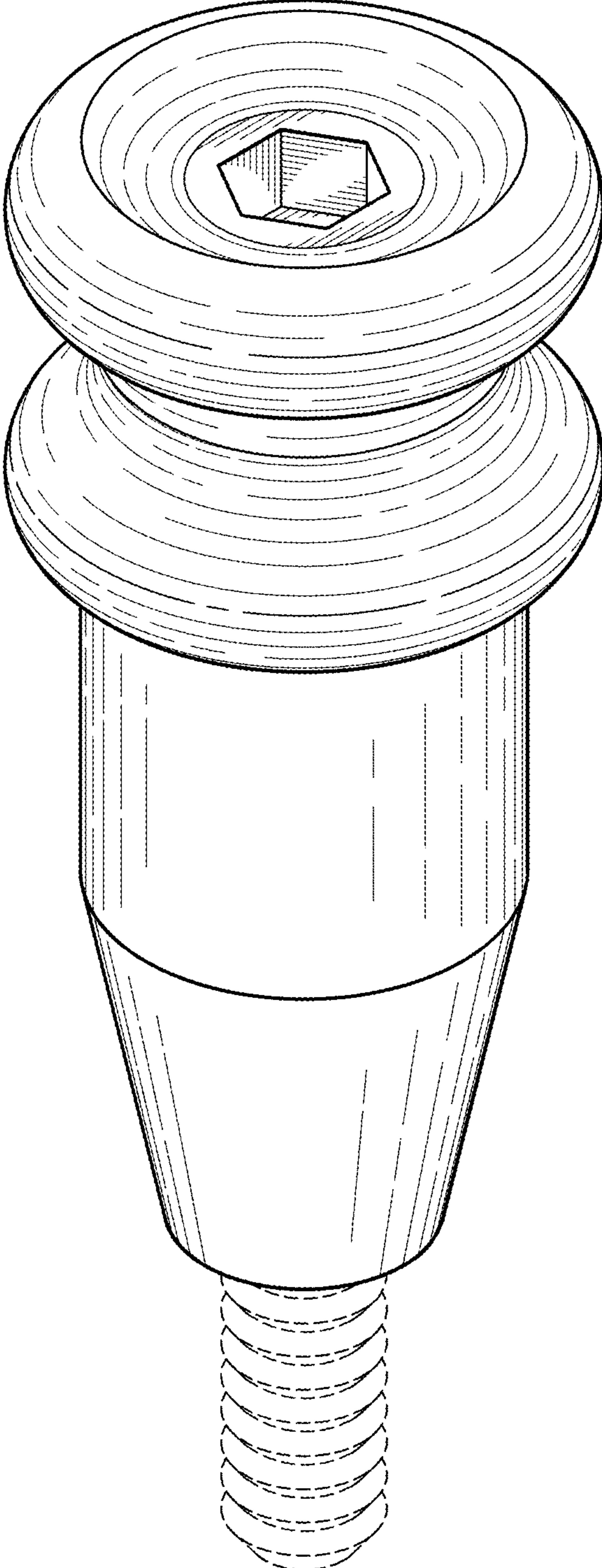
The ornamental design for a dental implant reusable bite registration post, as shown and described.

**DESCRIPTION**

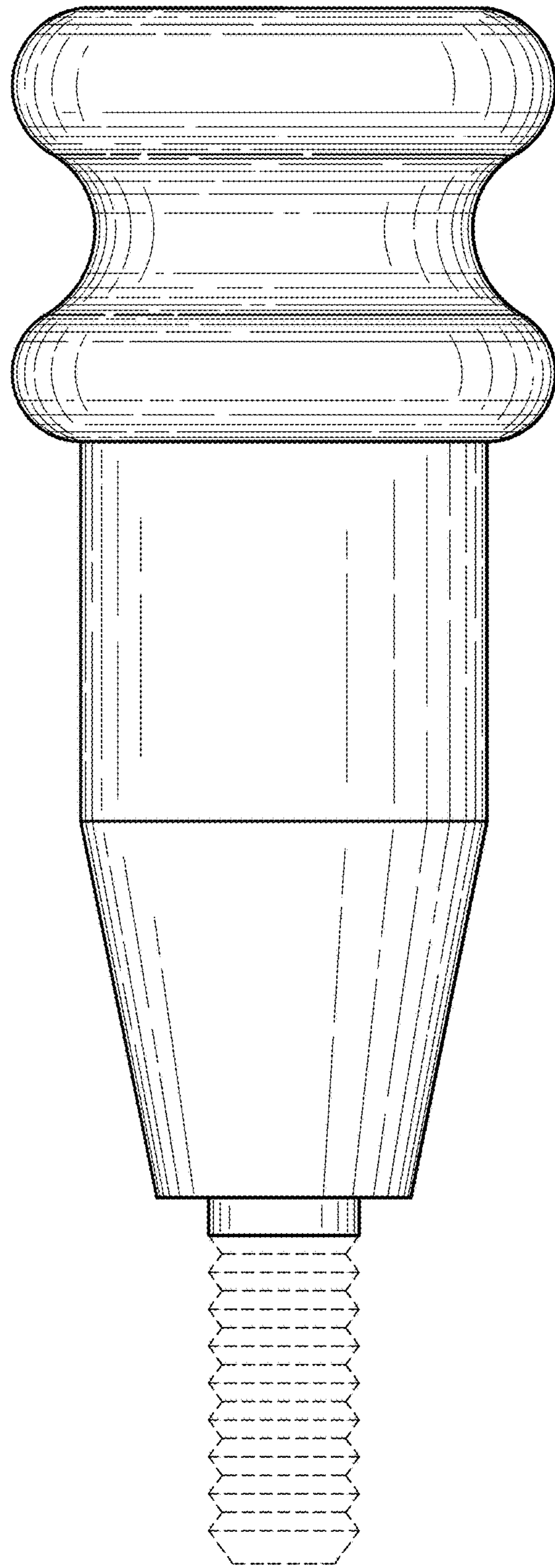
FIG. 1 is a perspective view of the dental implant reusable bite registration post;  
FIG. 2 is an elevational view of FIG. 1;  
FIG. 3 is a top view of FIG. 1; and,  
FIG. 4 is a bottom view of FIG. 1.  
Portions of FIGS. 1, 2, and 4 are shown in broken lines for reference purposes, and do not consist of portions of the present design.

**1 Claim, 3 Drawing Sheets**



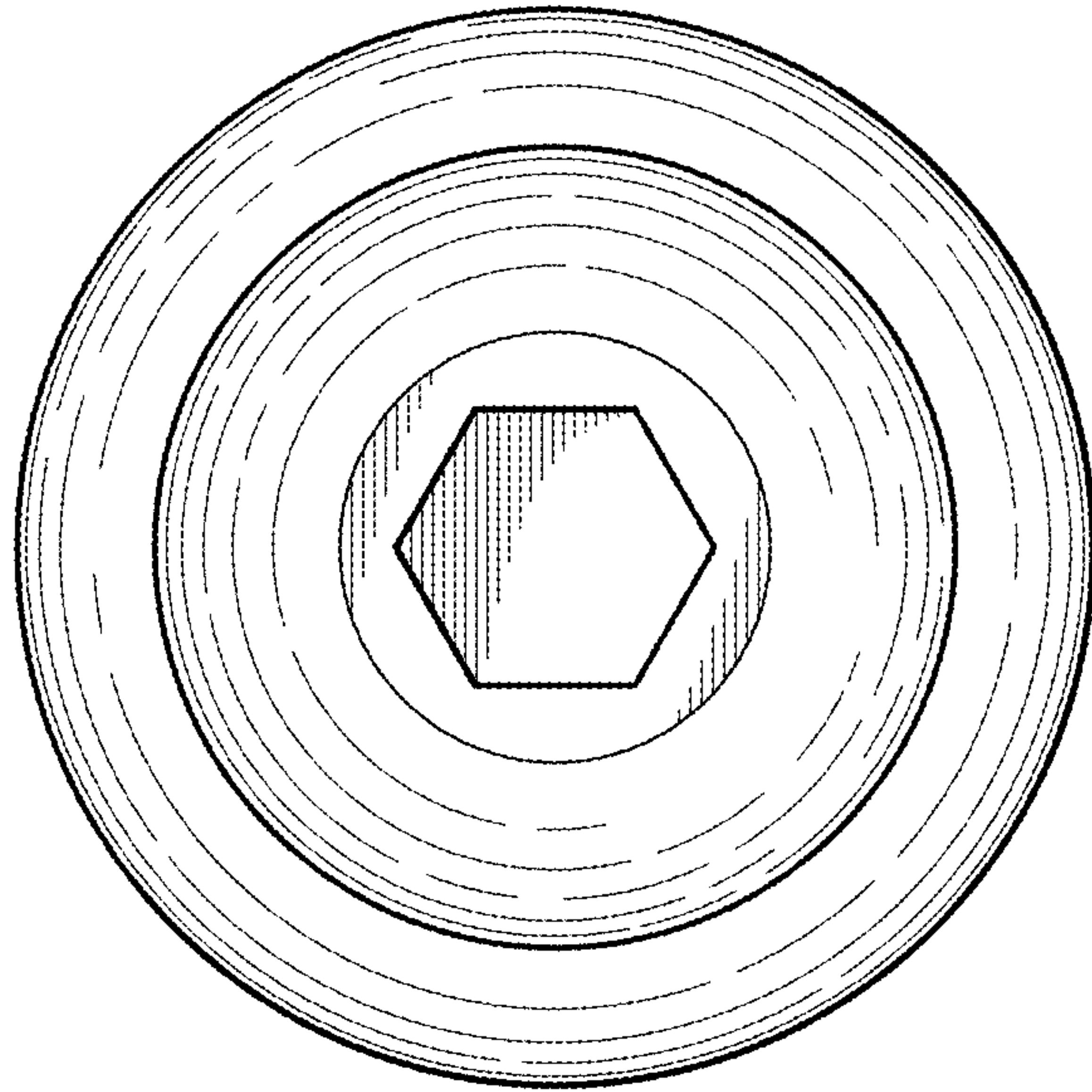


*Fig. 1.*

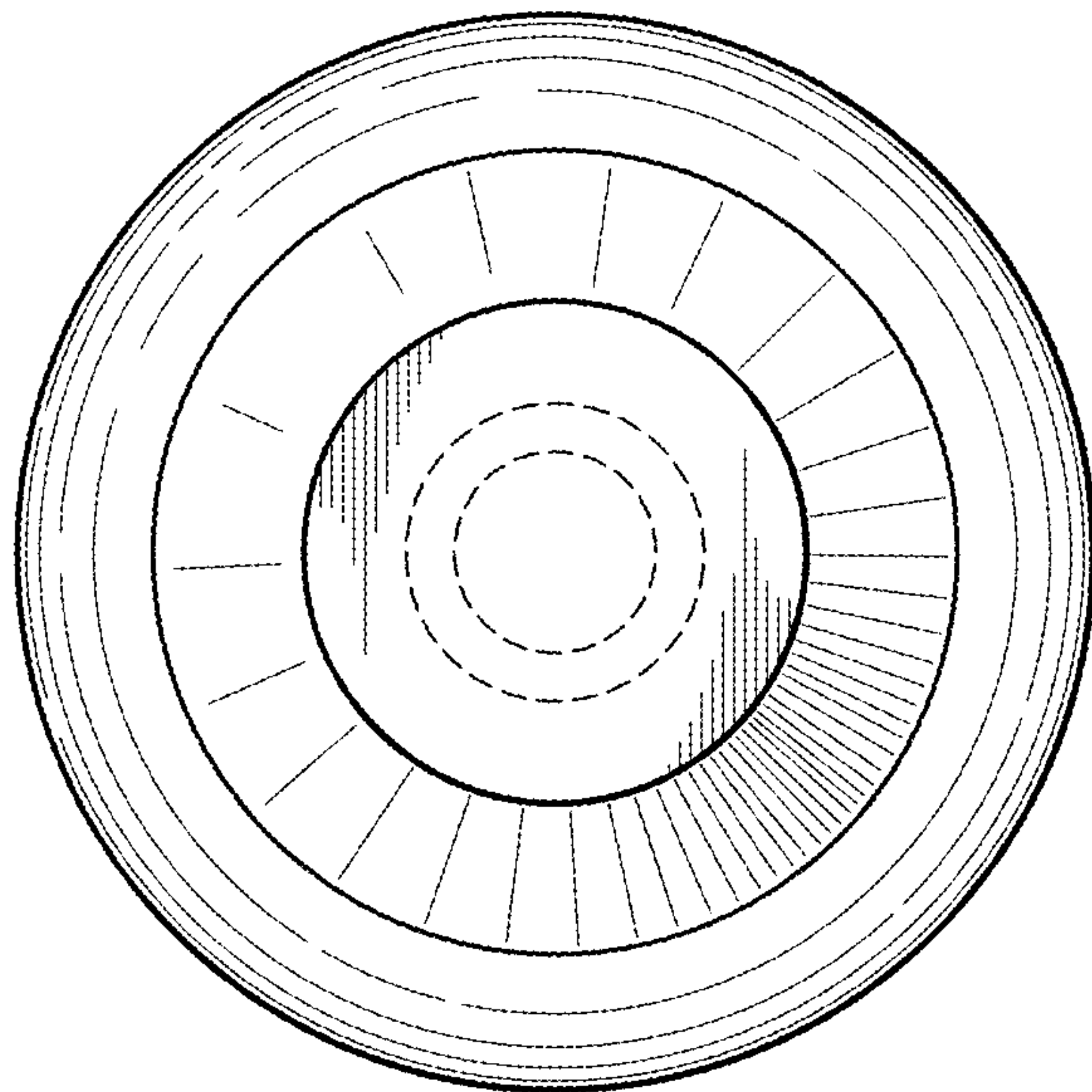


*Fig. 2.*





*Fig. 3.*



*Fig. 4.*