



US00D800304S

(12) **United States Design Patent** (10) **Patent No.:** **US D800,304 S**  
**Tamura et al.** (45) **Date of Patent:** **\*\* Oct. 17, 2017**

(54) **DISPOSAL CONTAINER FOR MEDICAL DIAGNOSTIC WASTES**

(71) Applicant: **Sysmex Corporation**, Kobe-shi, Hyogo (JP)

(72) Inventors: **Nobuya Tamura**, Kobe (JP); **Hiroki Koike**, Kobe (JP); **Toru Nishikawa**, Kobe (JP)

(73) Assignee: **SYSMEX CORPORATION**, Kobe-shi (JP)

(\*\*) Term: **15 Years**

(21) Appl. No.: **29/559,524**

(22) Filed: **Mar. 29, 2016**

(30) **Foreign Application Priority Data**

Nov. 30, 2015 (JP) ..... 2015-026716

(51) **LOC (10) Cl.** ..... **24-01**

(52) **U.S. Cl.**  
USPC ..... **D24/131**

(58) **Field of Classification Search**  
USPC ..... D24/127-131, 112-114, 133, 186, 121;  
606/181, 185; 604/264, 523-528, 272,  
604/187, 158, 164.01-164.11, 181, 184,  
604/227; 600/101, 139, 143;  
128/200.24, 207.14, 207.15; D9/432,  
D9/433, 418

CPC ..... A61B 19/02; A61B 19/00; B65F 1/16;  
A61M 5/32

See application file for complete search history.

(56) **References Cited**

**U.S. PATENT DOCUMENTS**

4,874,103 A \* 10/1989 Quisenberry ..... B65F 1/1607  
206/366  
5,096,114 A \* 3/1992 Higginbotham ..... A61B 50/36  
206/366

D328,810 S \* 8/1992 Boothe ..... D24/131  
D390,108 S \* 2/1998 Landis ..... D9/415  
D479,464 S \* 9/2003 Kopecky ..... D9/432  
D482,279 S \* 11/2003 Waldburger ..... D9/432  
D531,498 S \* 11/2006 Fluegel ..... D9/432

(Continued)

**FOREIGN PATENT DOCUMENTS**

JP 2008-51607 A 3/2008

*Primary Examiner* — David G Muller

*Assistant Examiner* — Nathan M Johnston

(74) *Attorney, Agent, or Firm* — Brinks Gilson & Lione

(57) **CLAIM**

We claim the ornamental design for a disposal container for medical diagnostic wastes, as shown and described.

**DESCRIPTION**

FIG. 1 is a front and top perspective view of a disposal container for medical diagnostic wastes of the present invention;

FIG. 2 is a rear and top perspective view thereof;

FIG. 3 is a front view thereof;

FIG. 4 is a rear view thereof;

FIG. 5 is a first side view thereof;

FIG. 6 is a second side view thereof;

FIG. 7 is a top view thereof;

FIG. 8 is a bottom view thereof;

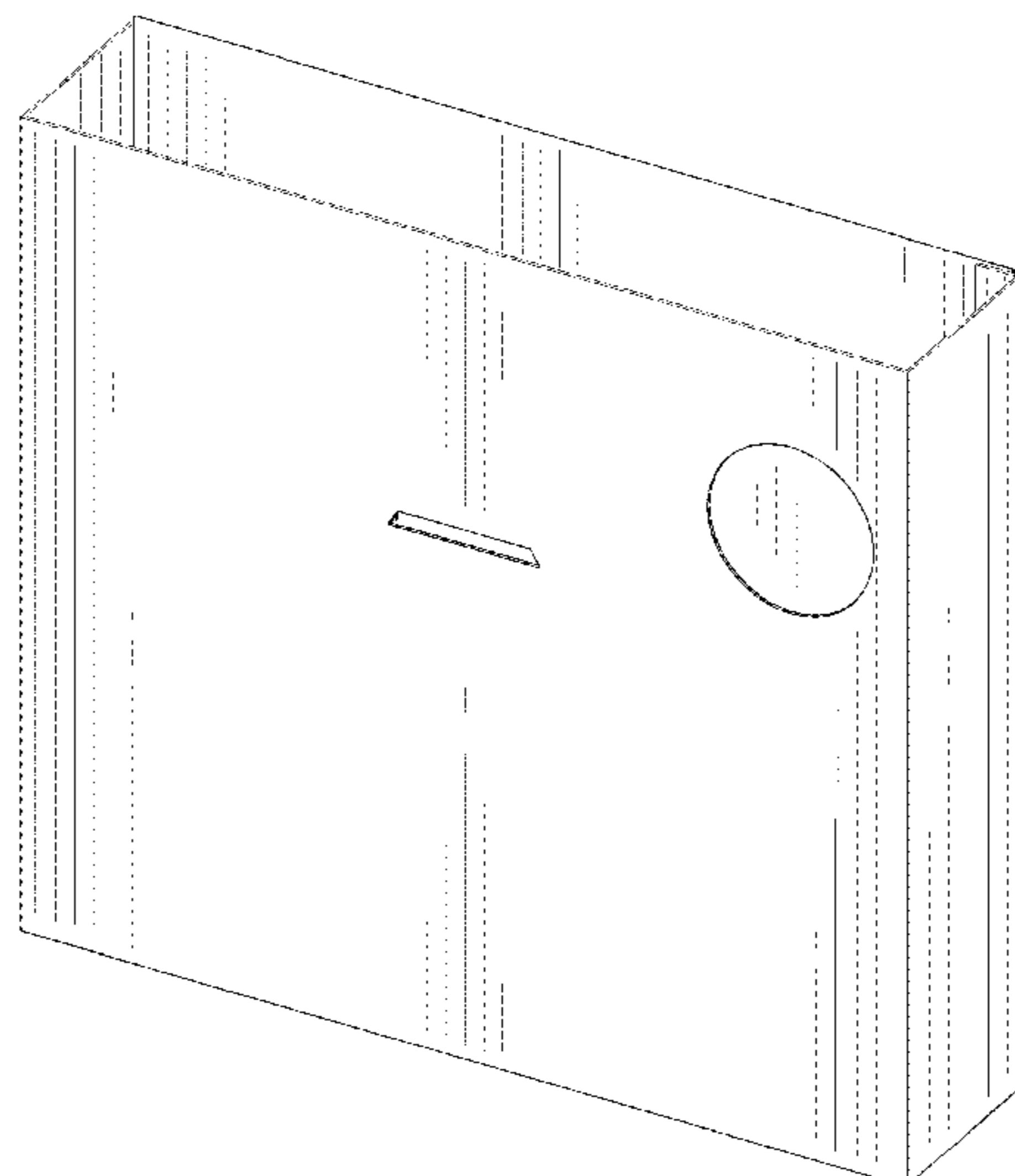
FIG. 9 is a front and top perspective view thereof in which a cover folded on the front face of the container is flipped up over the top of the container and secured on the rear face of the container;

FIG. 10 is a rear and top perspective view thereof in an environmental use; and,

FIG. 11 is a rear and top partial perspective view thereof in another environmental use.

The broken lines shown represent unclaimed subject matter and form no part of the claimed design.

**1 Claim, 9 Drawing Sheets**



(56)

**References Cited**

U.S. PATENT DOCUMENTS

D582,268 S	*	12/2008	Zanaletti .....	D9/432
D593,409 S	*	6/2009	Blick .....	D27/189
D671,425 S	*	11/2012	Huljak .....	D9/418
D701,114 S	*	3/2014	Baumwald .....	D9/418
D729,060 S	*	5/2015	Trombetta .....	D9/418
D764,272 S	*	8/2016	Hoglund .....	D9/420

\* cited by examiner

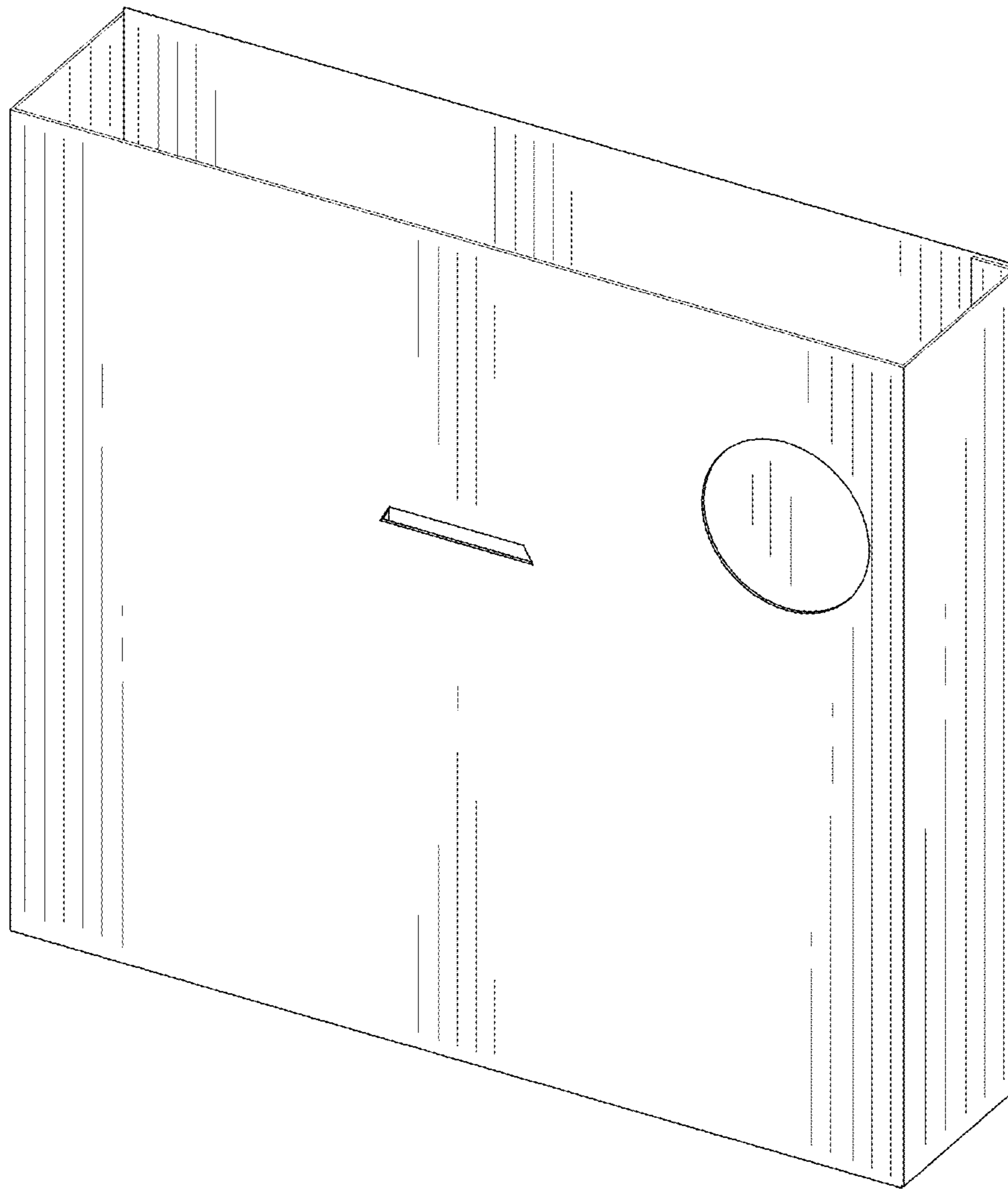


Fig. 1

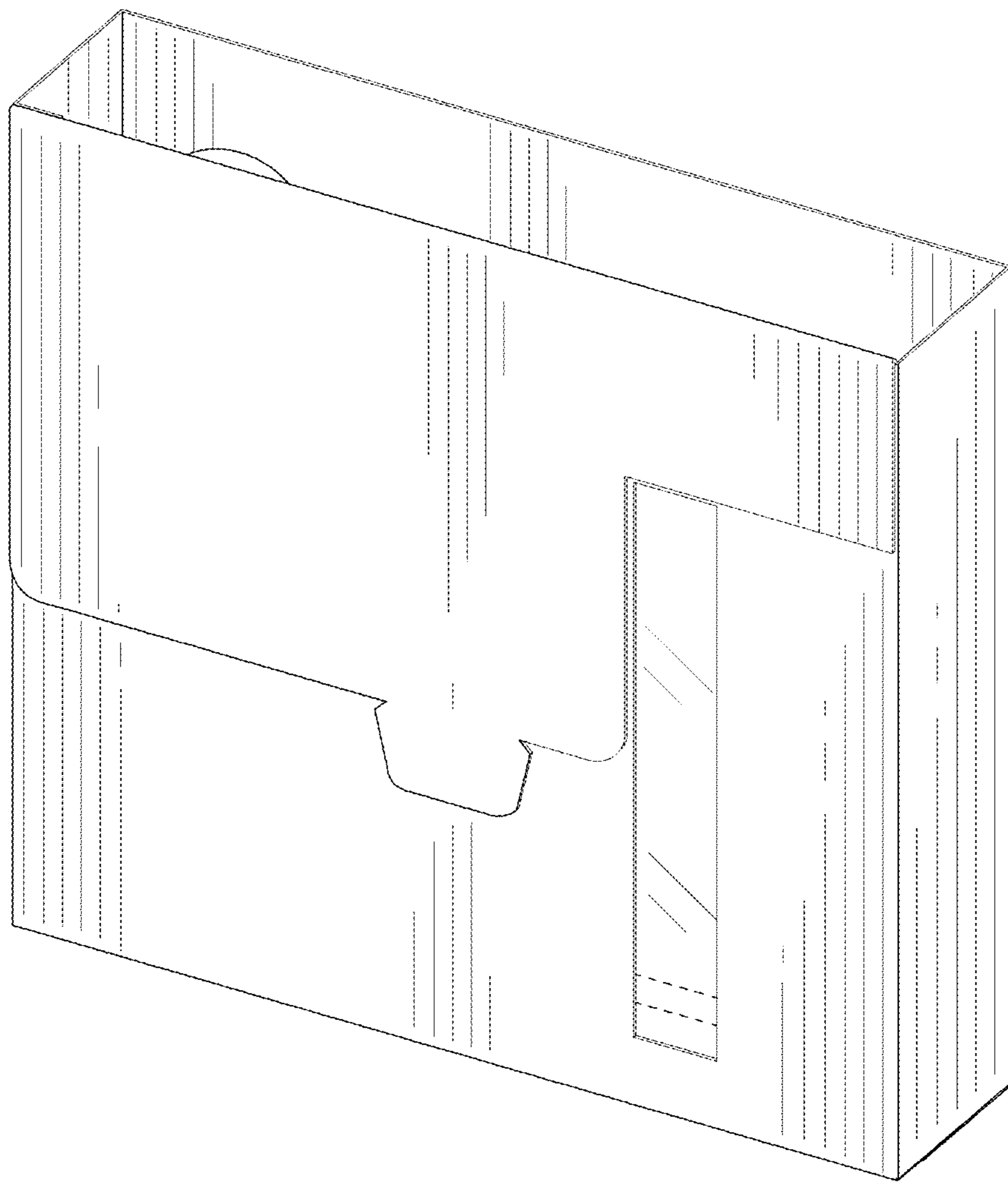


Fig. 2

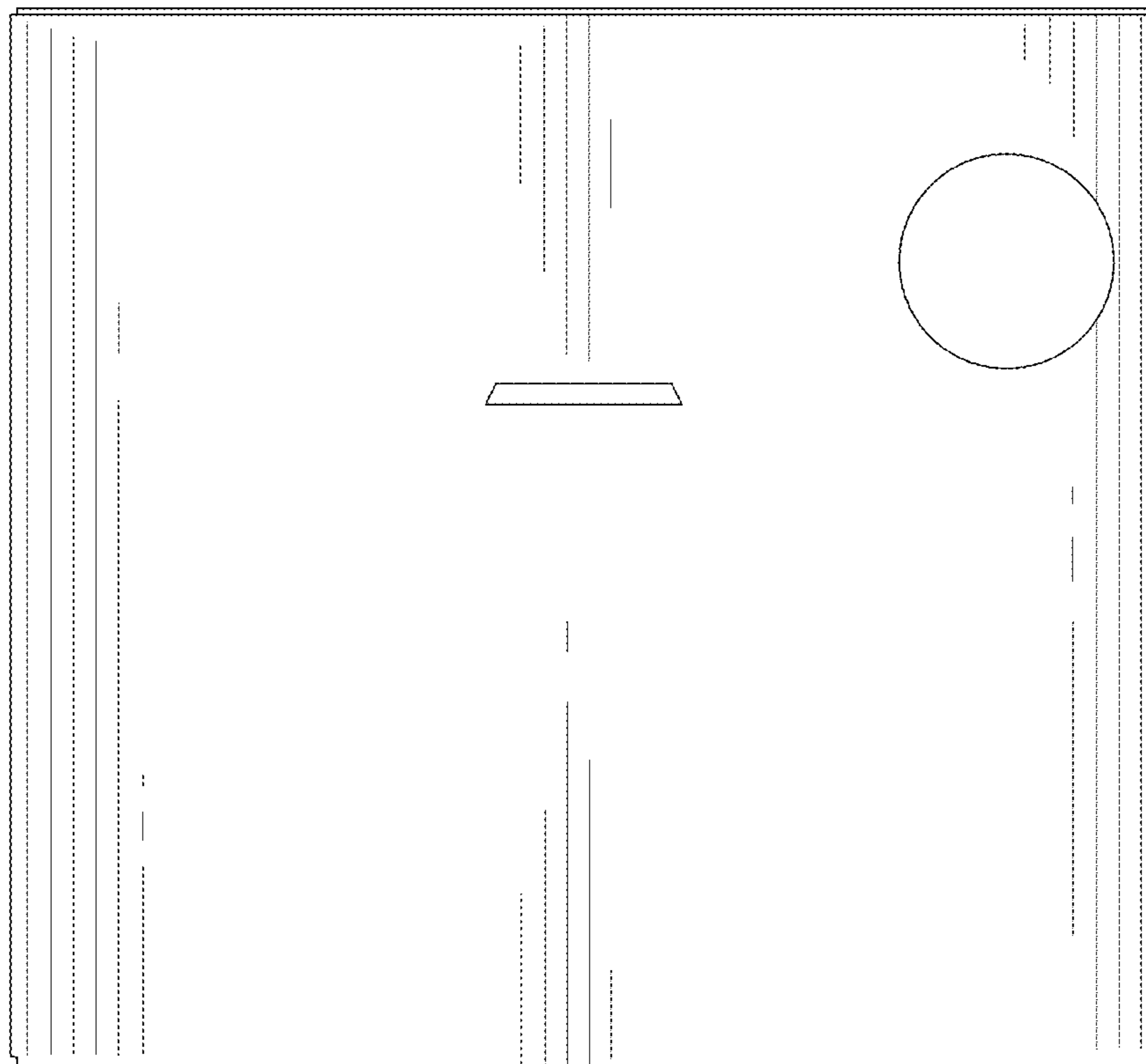


Fig. 3

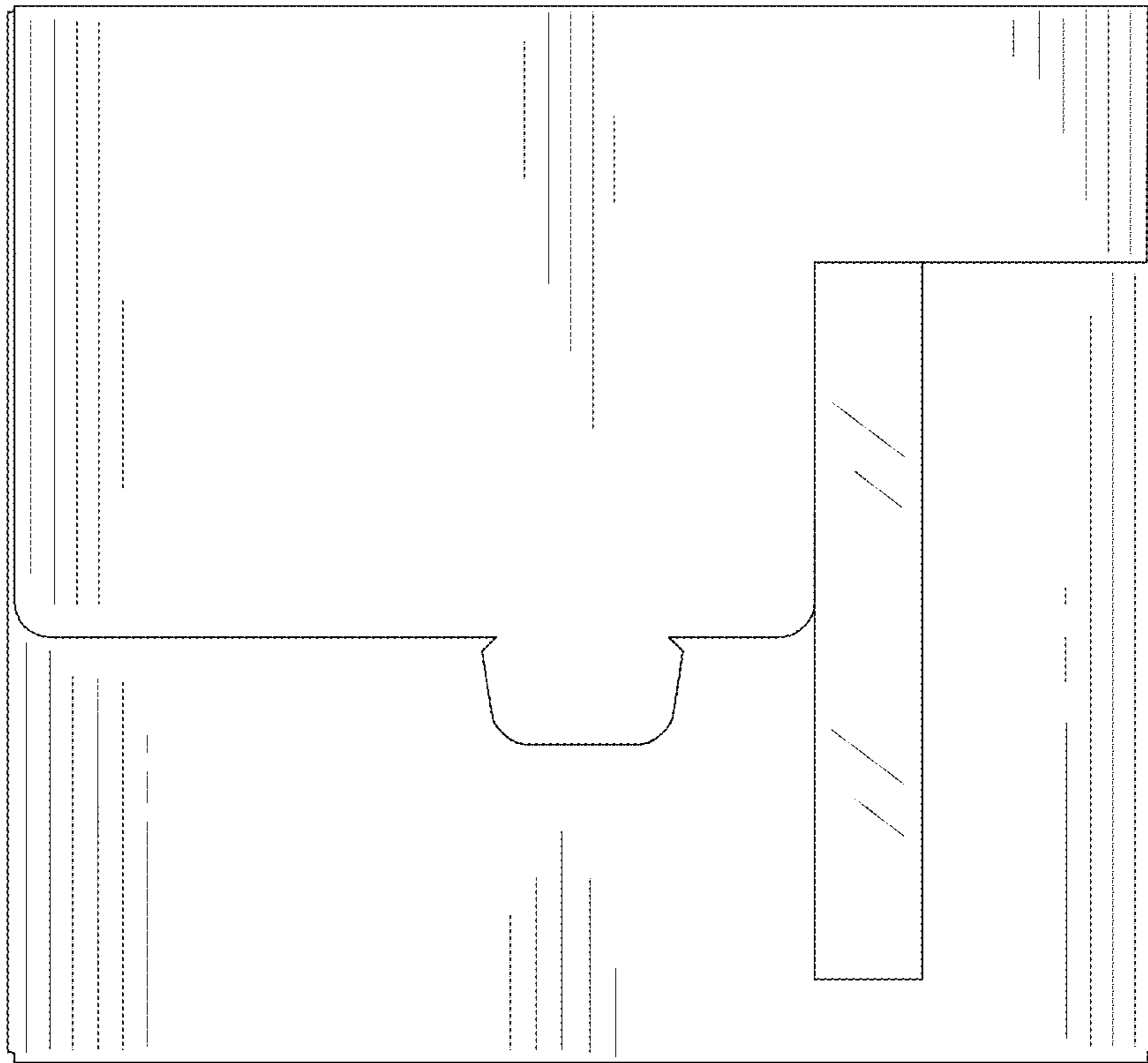


Fig. 4

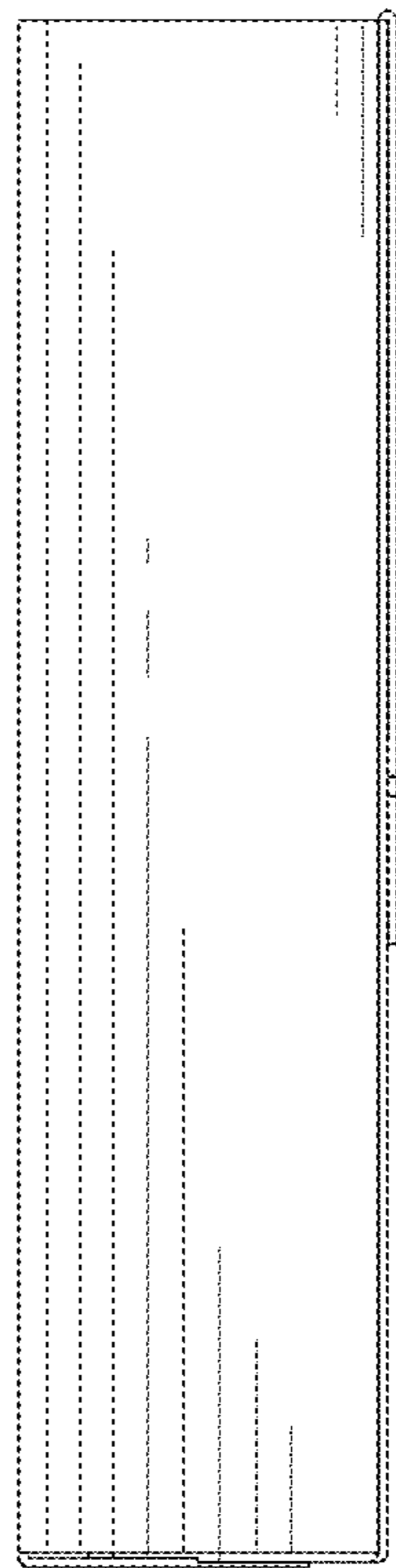


Fig. 5

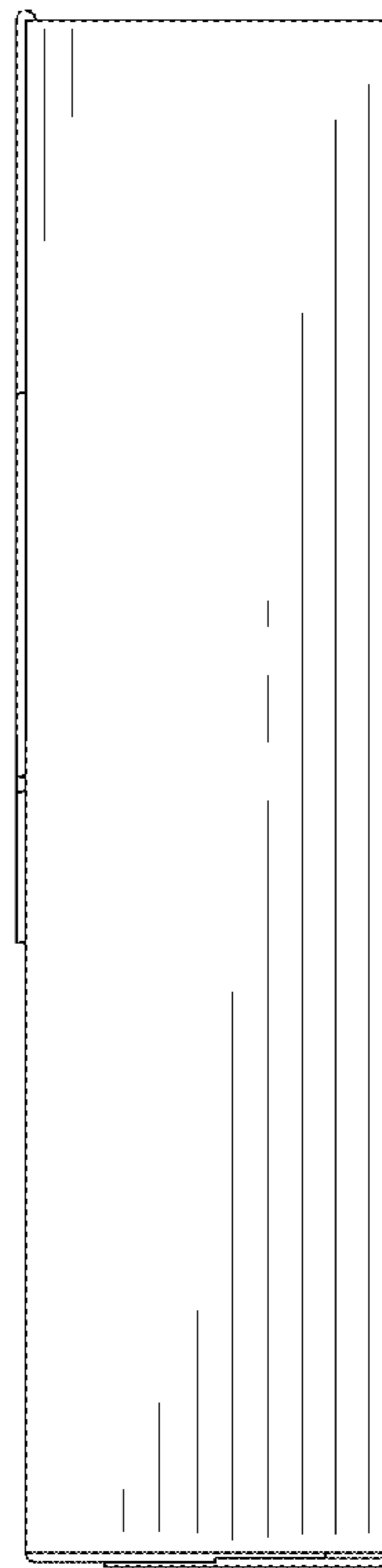


Fig. 6

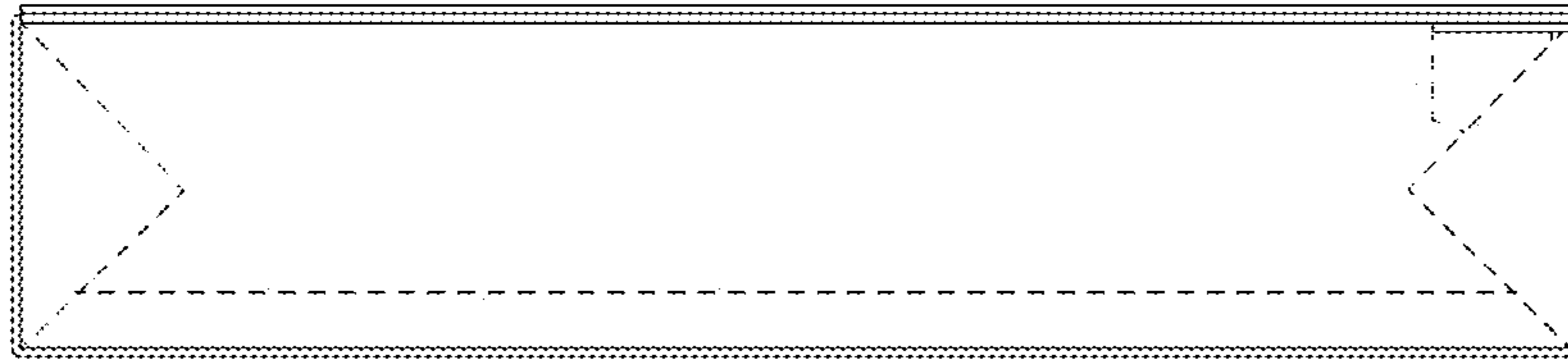


Fig. 7

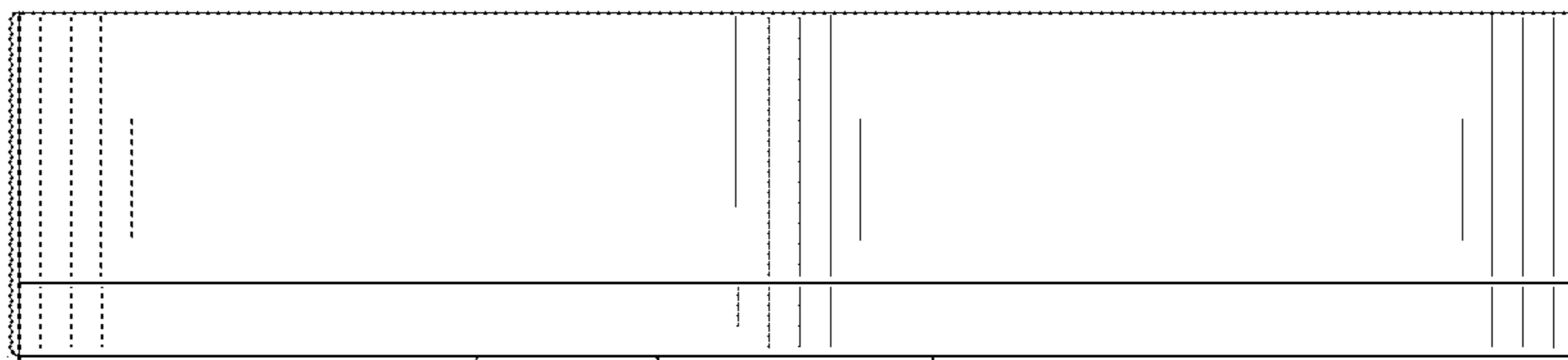


Fig. 8



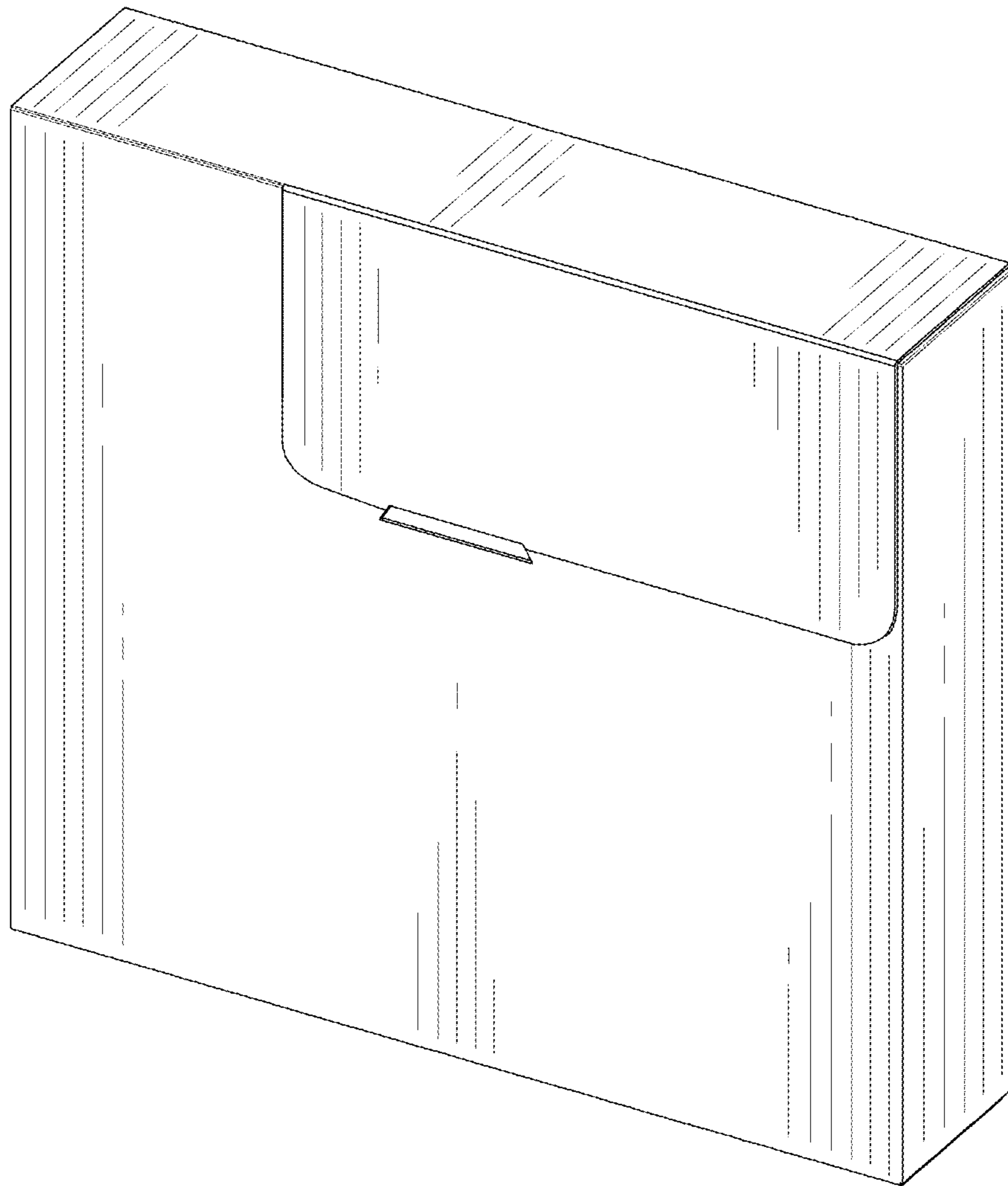


Fig. 9

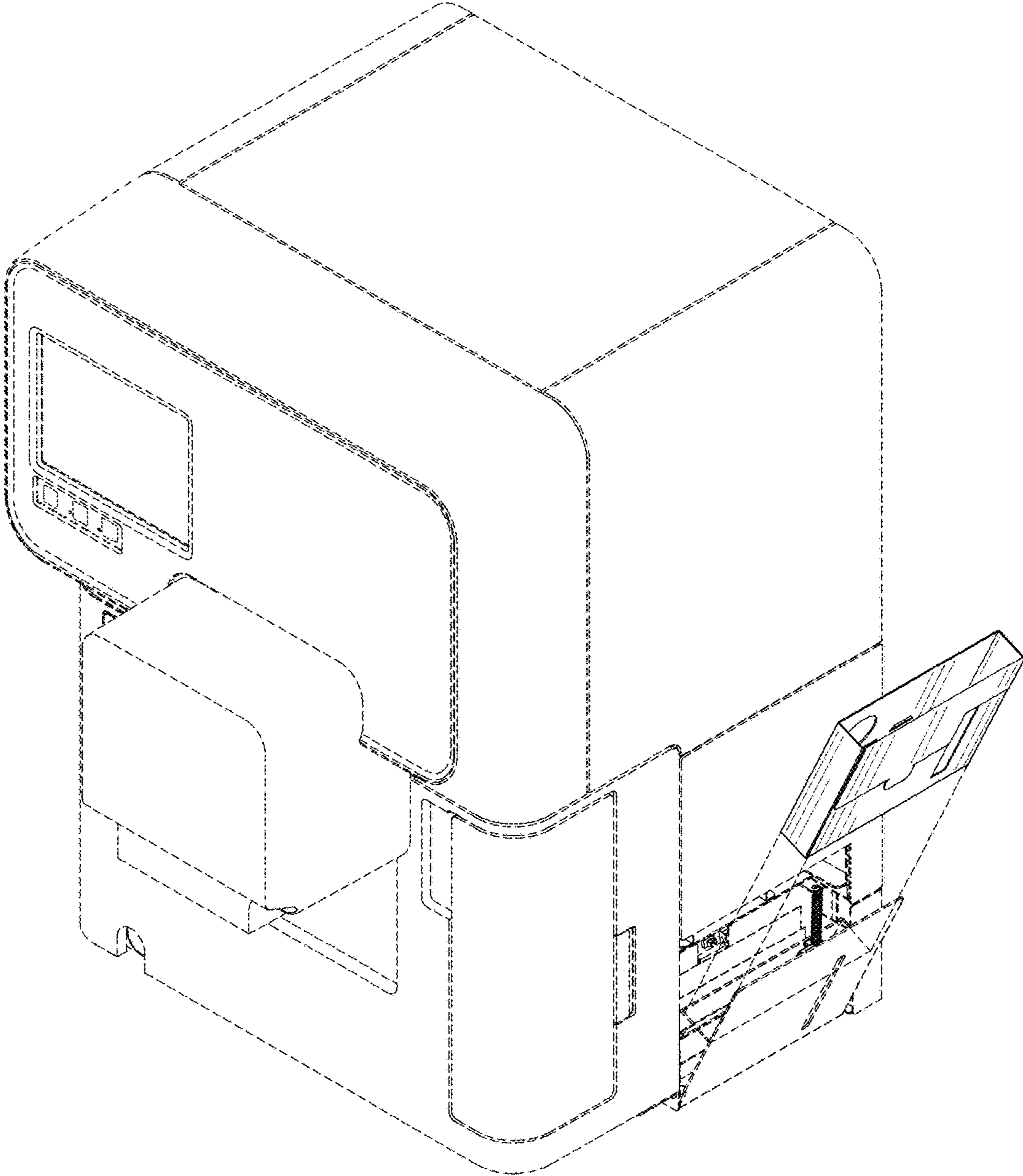


Fig. 10

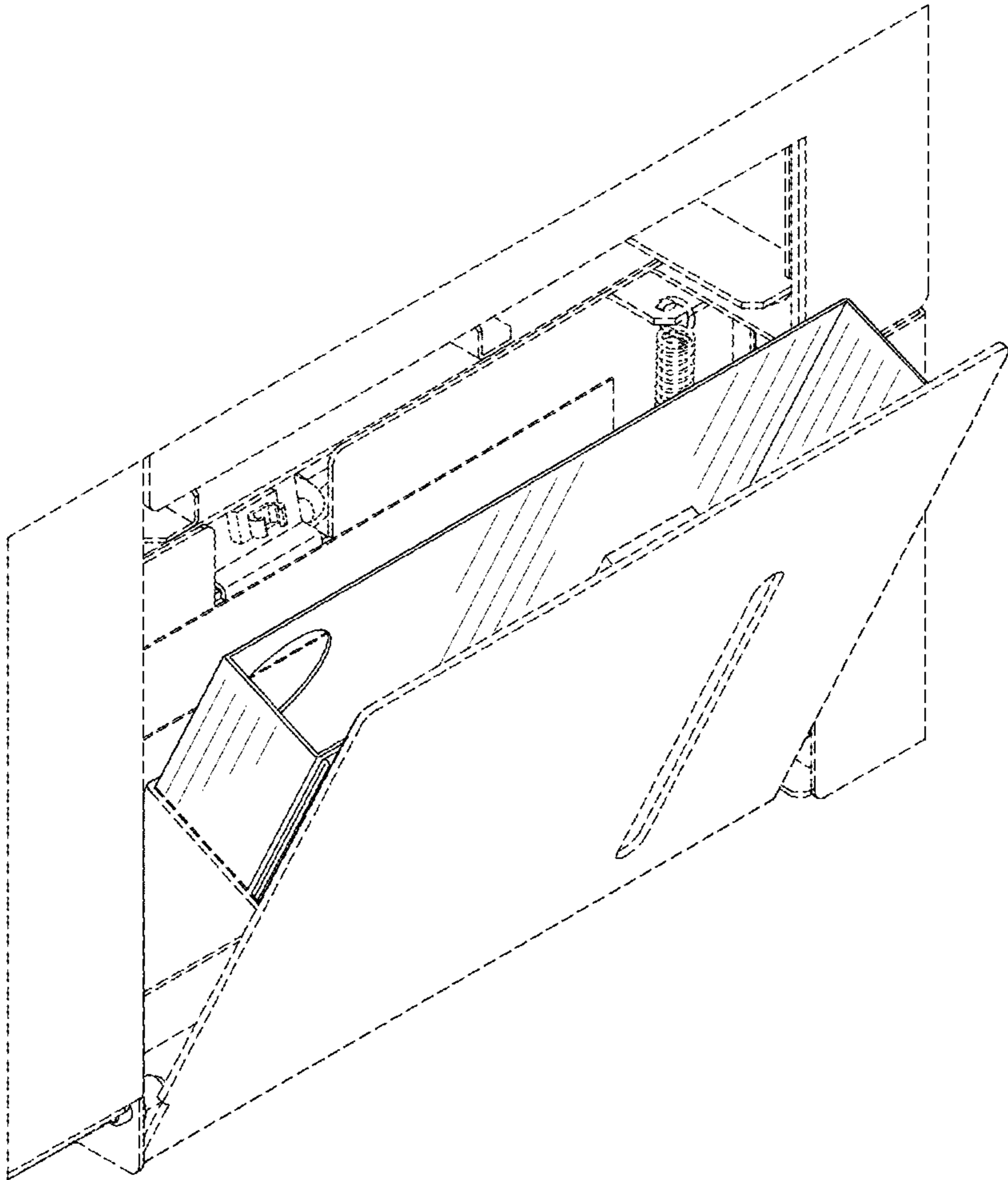


Fig. 11