

US00D800302S

(12) **United States Design Patent** (10) **Patent No.:** **US D800,302 S**
Dobrin et al. (45) **Date of Patent:** **** Oct. 17, 2017**

(54) **ABSORBENT ARTICLE WITH A PATTERN**

B44F 11/04; B44F 11/06; D03D 1/0047;
D03D 25/003; D04H 1/00; D10B
2503/04; D21H 27/02

(71) Applicant: **The Procter & Gamble Company**,
Cincinnati, OH (US)

See application file for complete search history.

(72) Inventors: **George Christopher Dobrin**, Mason,
OH (US); **Beth Goldman Mason**,
Cincinnati, OH (US); **Daniel Patrick
Findley**, Finneytown, OH (US);
Timothy Wayne Robertson,
Cincinnati, OH (US); **David Rex Price**,
Indianapolis, IN (US)

(56) **References Cited**

U.S. PATENT DOCUMENTS

D233,702 S * 11/1974 Koury D24/126
4,182,333 A * 1/1980 Schaar A61F 13/58
604/370
4,568,342 A 2/1986 Davis
4,681,577 A 7/1987 Stern et al.

(Continued)

Primary Examiner — Michael A. Pratt

Assistant Examiner — Michelle E Wilson

(74) *Attorney, Agent, or Firm* — Andrew J. Hagerty

(73) Assignee: **The Procter & Gamble Company**,
Cincinnati, OH (US)

(**) Term: **15 Years**

(21) Appl. No.: **29/589,682**

(22) Filed: **Jan. 4, 2017**

Related U.S. Application Data

(60) Continuation of application No. 29/552,612, filed on
Jan. 25, 2016, now Pat. No. Des. 779,658, which is a
continuation of application No. 29/533,211, filed on
Jul. 15, 2015, now Pat. No. Des. 751,698, which is a
continuation of application No. 29/489,610, filed on
May 1, 2014, now Pat. No. Des. 736,910, which is a
division of application No. 29/478,589, filed on Jan.
7, 2014, now Pat. No. Des. 707,813, which is a
division of application No. 29/396,475, filed on Jun.
30, 2011, now Pat. No. Des. 699,838.

(51) **LOC (10) Cl.** **24-04**

(52) **U.S. Cl.**
USPC **D24/126**

(58) **Field of Classification Search**
USPC D24/124–126; D5/60, 21, 25, 26, 35, 39,
D5/29, 47, 59, 61
CPC A61F 13/476; A61F 13/4704; A61F
13/47245; A61F 13/4702; A61F 13/533;
A61F 13/47263; A61F 13/15203; B32B
3/266; B41M 3/12; B41M 3/18; B44F
1/00; B44F 3/00; B44F 5/00; B44F 9/10;

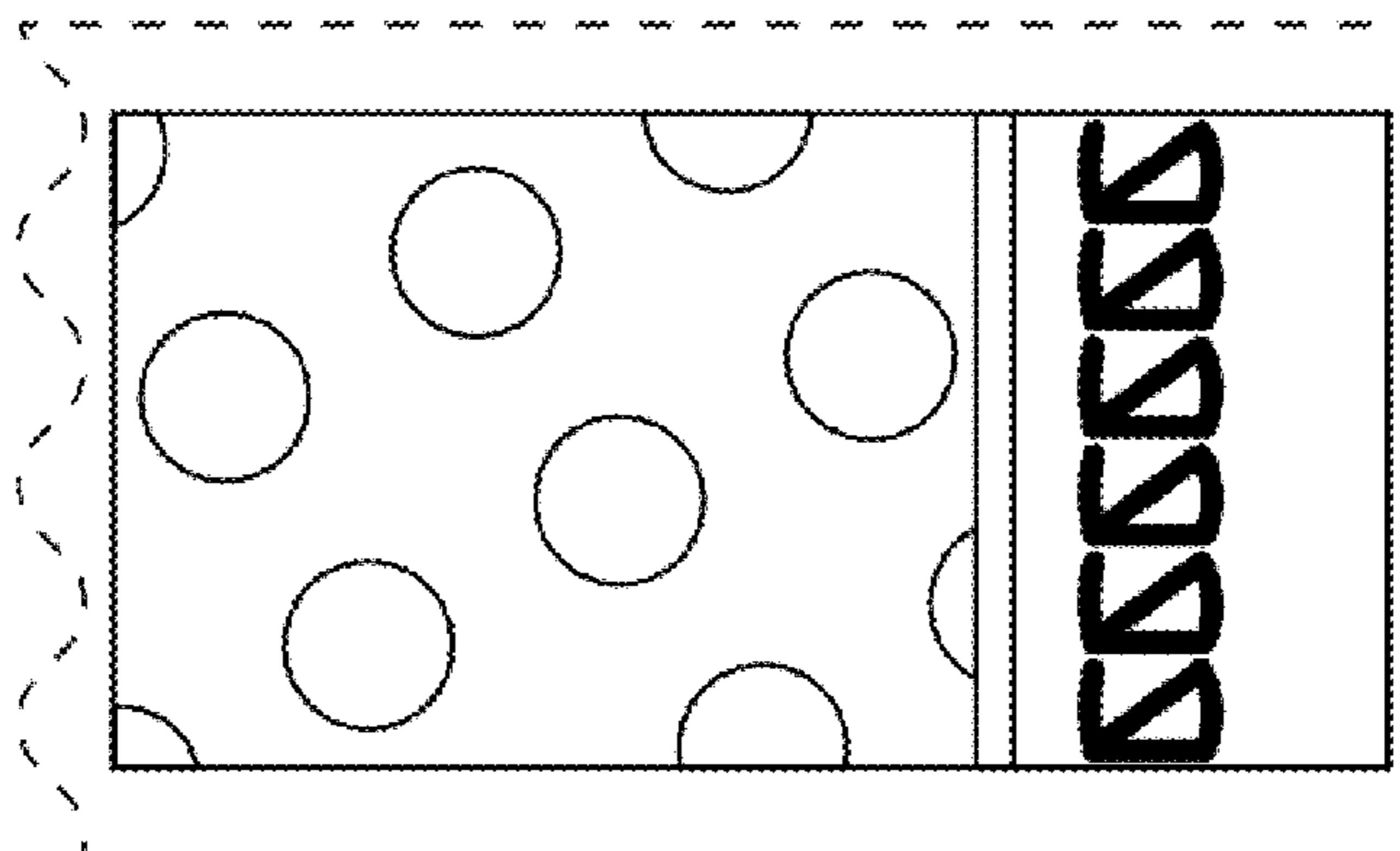
(57) **CLAIM**

The ornamental design for an absorbent article with a
pattern, as shown and described.

DESCRIPTION

FIG. 1 is an enlarged, partial development view of the
claimed left portion of a first embodiment of an absorbent
article with a pattern seen in its entirety in FIG. 3;
FIG. 2 is an enlarged, partial development view of the
claimed right portion of the first embodiment of an absor-
bent article with a pattern seen in its entirety in FIG. 3; and,
FIG. 3 is a development view of the first embodiment of the
absorbent article with a pattern.
The broken lines, including those showing the diaper tabs
and ears, are included for the purpose of illustrating envi-
ronment and form no part of the claimed design.
The claimed design comprises an ornamental surface pattern
printed on flat surfaces in the same plane.

1 Claim, 1 Drawing Sheet



(56)

References Cited

U.S. PATENT DOCUMENTS

4,753,646 A 6/1988 Enloe
D309,020 S 7/1990 Coates et al.
D313,076 S 12/1990 Harju
5,062,840 A * 11/1991 Holt A61F 13/495
604/385.19
D330,590 S 10/1992 Pressley et al.
D332,659 S 1/1993 Bisago
D334,060 S 3/1993 Hoffman
D335,707 S 5/1993 Igaue et al.
D339,445 S 9/1993 Rusano
D340,283 S 10/1993 Igaue et al.
D341,470 S 11/1993 Quick
5,261,901 A 11/1993 Guay
D354,132 S 1/1995 Minor
D354,809 S 1/1995 Eskey
D362,717 S 9/1995 Caschette et al.
D414,262 S 9/1999 Ashton et al.
D457,625 S 5/2002 Wiebe
D466,608 S 12/2002 Magee et al.
D472,314 S 3/2003 Wu
D473,645 S 4/2003 Waksmundski
D483,120 S 12/2003 Klebba et al.
D483,486 S 12/2003 Klebba et al.
D483,867 S 12/2003 Klebba et al.
D486,231 S 2/2004 Kielb et al.
D486,577 S 2/2004 Swenson et al.
D489,450 S 5/2004 Wu et al.
D498,843 S 11/2004 Keilb et al.
D514,223 S 1/2006 Hermansson et al.
7,189,220 B2 3/2007 Miyoshi et al.
D544,599 S 6/2007 Sasaki et al.
D546,445 S 7/2007 Martynus et al.
D553,244 S 10/2007 Martynus et al.
D558,335 S 12/2007 Willhaus
D578,213 S 10/2008 Rinaldi et al.
D579,110 S 10/2008 Zink et al.

D579,559 S 10/2008 Zink et al.
D579,560 S 10/2008 Rinaldi et al.
D580,050 S 11/2008 Rinaldi et al.
D581,043 S 11/2008 Zink et al.
D581,525 S 11/2008 Zink et al.
D583,050 S 12/2008 Alston
D583,468 S 12/2008 Zink et al.
D583,469 S 12/2008 Zink et al.
D583,936 S 12/2008 Sasayama et al.
D608,884 S 1/2010 Versaci
D609,805 S 2/2010 Moravek et al.
D610,255 S 2/2010 Garner
D610,256 S 2/2010 Garner
D618,344 S 6/2010 Willhaus
D626,220 S 10/2010 Oranday
D629,890 S 12/2010 Hedbratt et al.
D632,388 S 2/2011 Kline et al.
D636,488 S 4/2011 Faulks et al.
D638,535 S 5/2011 Stonebraker
D641,868 S 7/2011 Kline et al.
D643,919 S 8/2011 Walker et al.
D679,390 S 4/2013 Hedbratt et al.
D680,216 S 4/2013 Hedbratt et al.
D681,198 S 4/2013 Norman
D685,905 S 7/2013 Willhaus
D691,716 S 10/2013 Vo
D694,413 S 11/2013 Fowler
D699,346 S 2/2014 McElroy et al.
D699,838 S 2/2014 Dobrin et al.
D736,910 S * 8/2015 Dorbin D24/124
D749,860 S * 2/2016 Wolfe D5/20
D751,698 S * 3/2016 Dobrin D24/126
D764,809 S * 8/2016 Wolfe D24/125
2004/0092900 A1 * 5/2004 Hoffman A61F 13/495
604/380
2004/0162538 A1 * 8/2004 Mueller A61F 13/15609
604/385.01
2005/0277905 A1 * 12/2005 Pedersen A61F 13/58
604/389

* cited by examiner

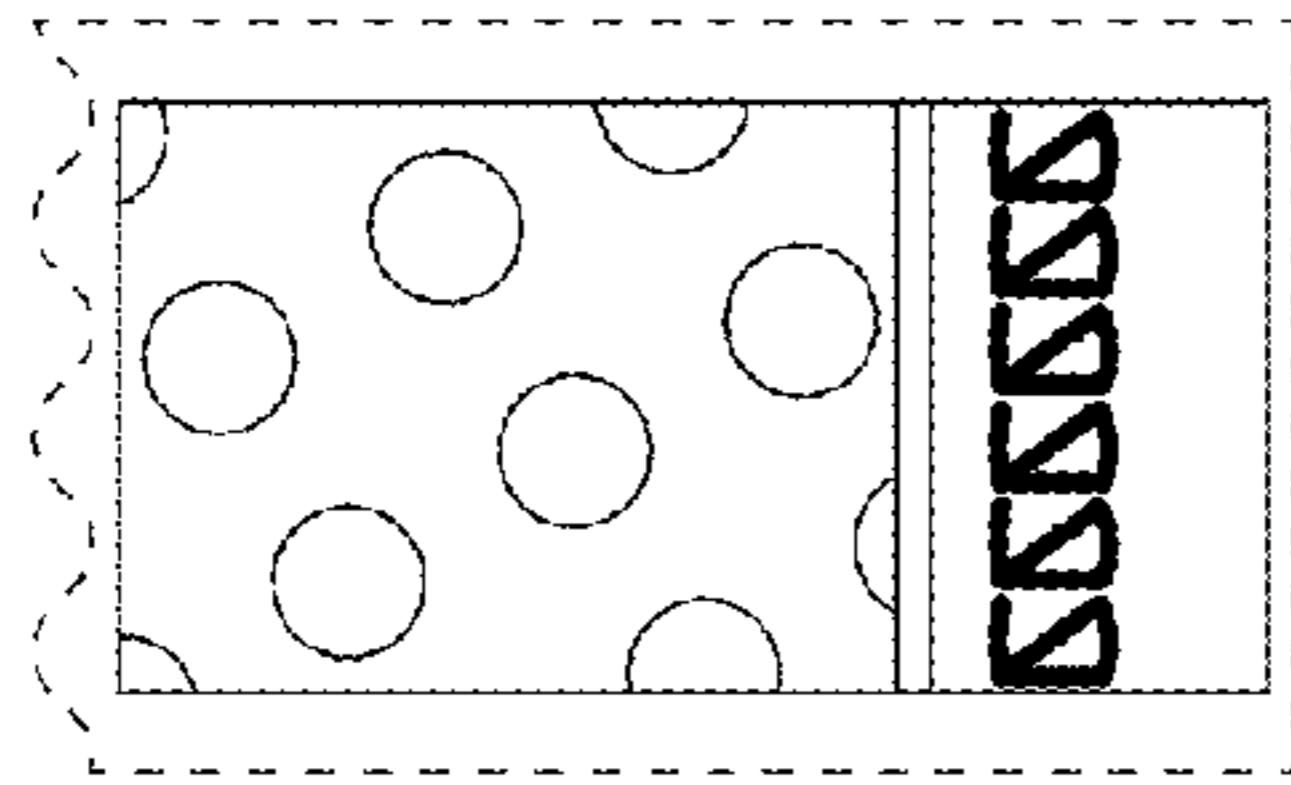


Fig. 1

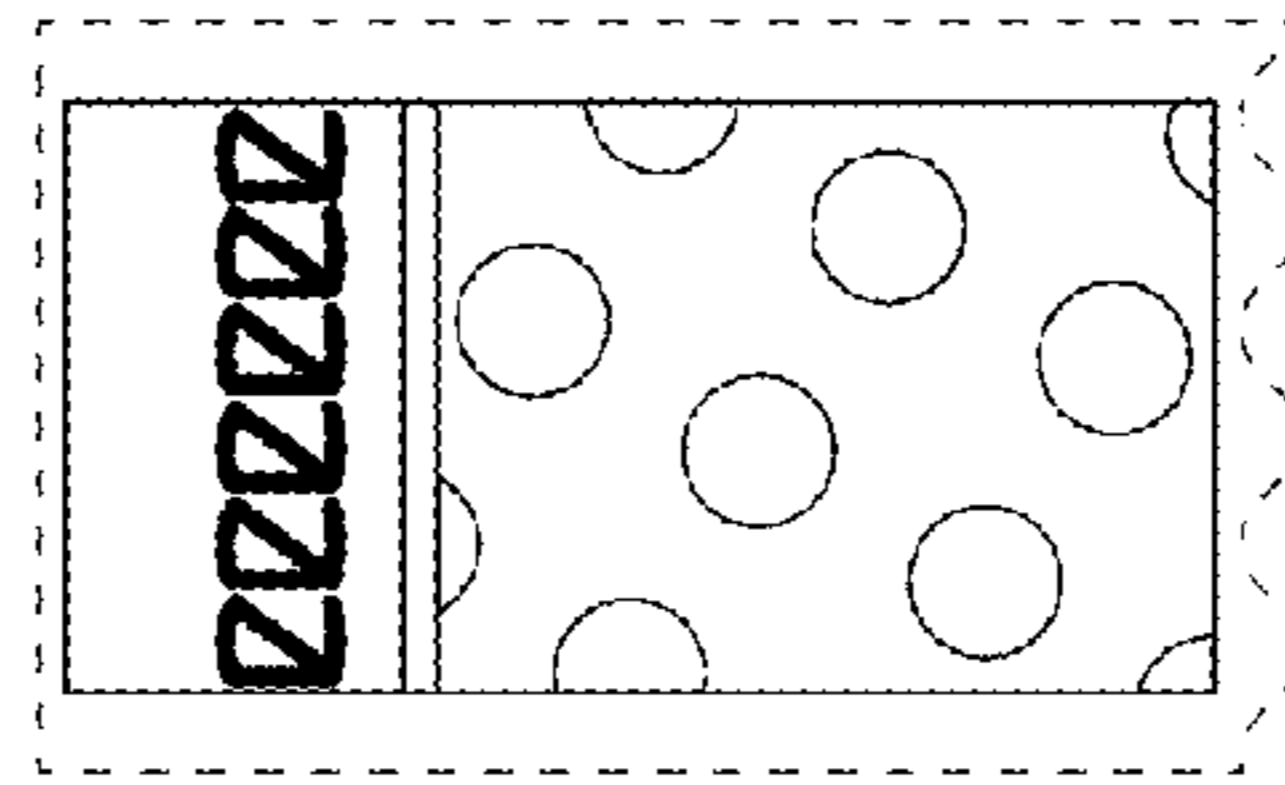


Fig. 2

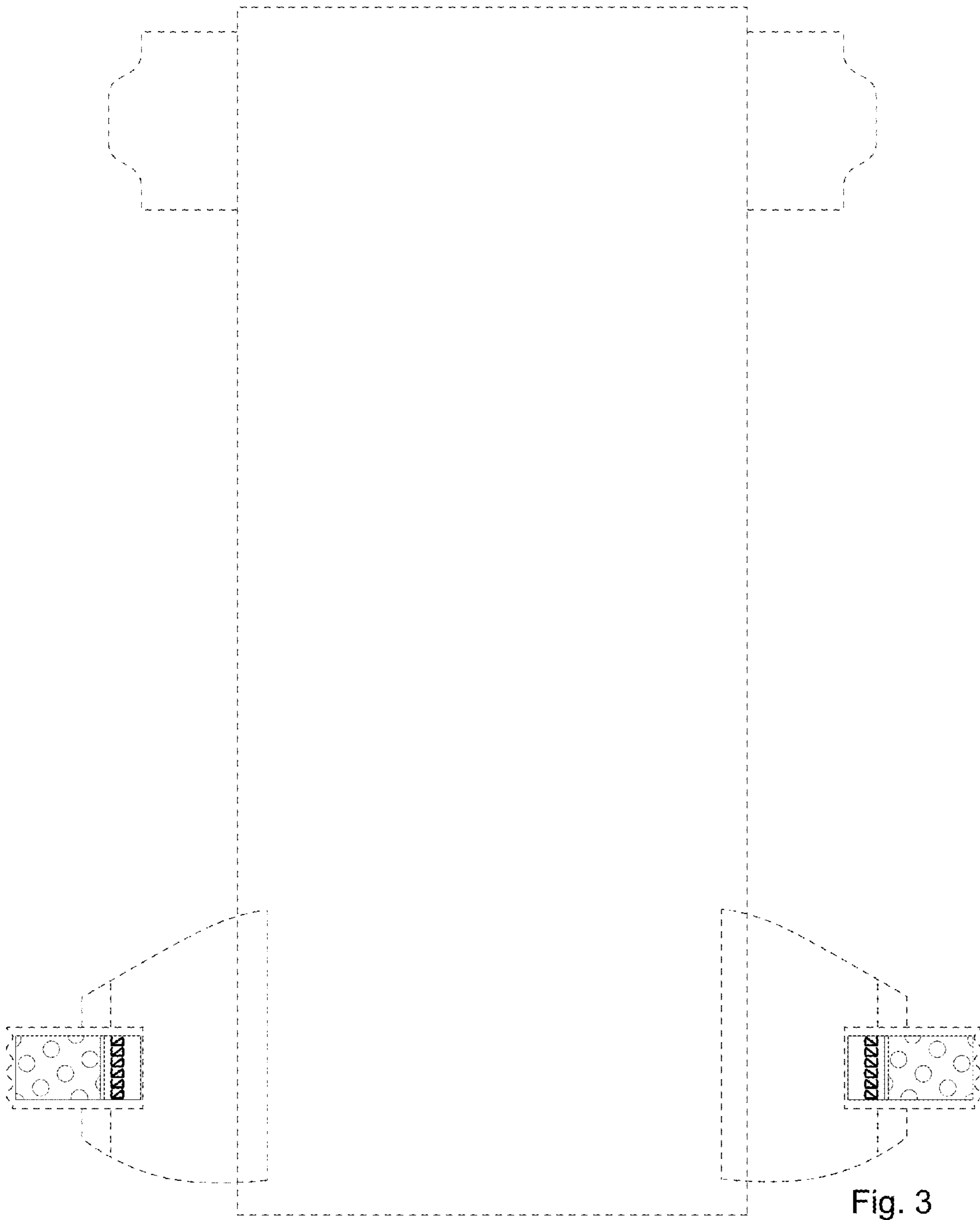


Fig. 3