



US00D800298S

(12) **United States Design Patent** (10) **Patent No.:** **US D800,298 S**  
**Brose et al.** (45) **Date of Patent:** **\*\* Oct. 17, 2017**

- (54) **AIR BLOCK FOR RESPIRATOR**
- (71) Applicant: **SATA GmbH & Co. KG**,  
Kornwestheim (DE)
- (72) Inventors: **Jens Brose**, Ottmarsheim (DE); **Ralf Gehrung**, Stuttgart (DE)
- (73) Assignee: **SATA GMBH & CO. KG**,  
Kornwestheim (DE)
- (\*\*) Term: **14 Years**
- (21) Appl. No.: **29/506,421**
- (22) Filed: **Oct. 15, 2014**
- (30) **Foreign Application Priority Data**

Apr. 16, 2014 (EM) ..... 002448597

- (51) **LOC (10) Cl.** ..... **29-02**
- (52) **U.S. Cl.**  
USPC ..... **D24/110.1**; D24/127
- (58) **Field of Classification Search**  
USPC ..... D24/110.1-110.4, 127, 162; D29/102,  
D29/104-108, 122  
CPC .... A41D 13/11; A41D 13/1153; A62B 17/04;  
A62B 7/12; A62B 18/04; A62B 18/00;  
A62B 18/02  
See application file for complete search history.

(56) **References Cited**

**U.S. PATENT DOCUMENTS**

- 3,911,914 A \* 10/1975 Johansson ..... A62B 18/04  
128/201.23
- 4,674,136 A \* 6/1987 Ladewig ..... A61F 9/027  
2/428
- 5,533,500 A \* 7/1996 Her-Mou ..... A62B 18/045  
128/201.24

- D545,426 S \* 6/2007 Church ..... D24/110.3
- 8,056,152 B2 \* 11/2011 Brace ..... A42B 3/225  
2/410
- 8,534,279 B2 \* 9/2013 Brace ..... A62B 18/045  
128/201.15

**OTHER PUBLICATIONS**

SATA air vision 5000—the new breathing protection system from SATA—Press Release. SATA GmbH & Co. KG. Sep. 2014. <www.SATA.com>.\*  
SATA air vision 5000—brochure. SATA. Date viewed Aug. 28, 2018.\*  
Professional Breathing Protection Equipment. Full Face Respirator Hoods. www.SATA.com. Date accessed Aug. 28, 2016. <https://www.sata.com/index.php?id=4845&L=11#>.\*  
SATA Respirator Hood with Head Cloth and Chest Cover. Sprayguns Direct. www.spraygunsdirect.co.uk. Date accessed Aug. 28, 2016. <https://www.spraygunsdirect.co.uk/index.php/hood-air-hose-grey-cloth-0067595.html>.\*

\* cited by examiner

*Primary Examiner* — Barbara Fox  
*Assistant Examiner* — Lilyana Bekic  
(74) *Attorney, Agent, or Firm* — Paul D. Bianco; Fleit Gibbons Gutman Bongini & Bianco PL

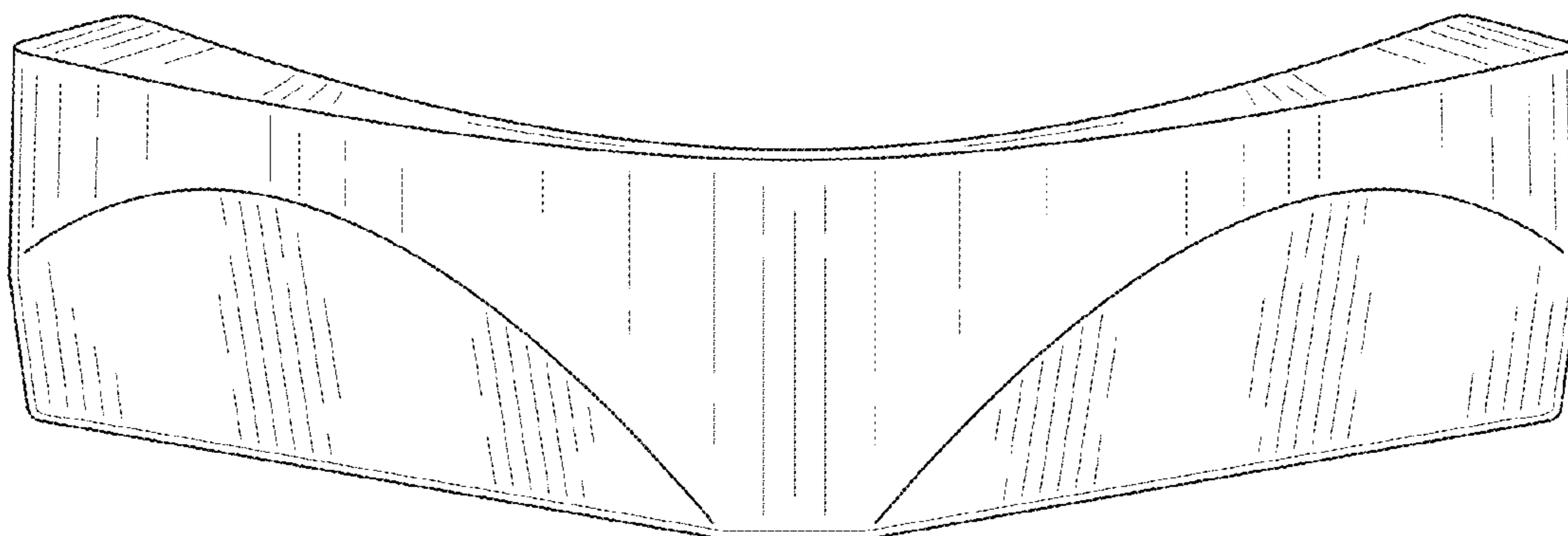
(57) **CLAIM**

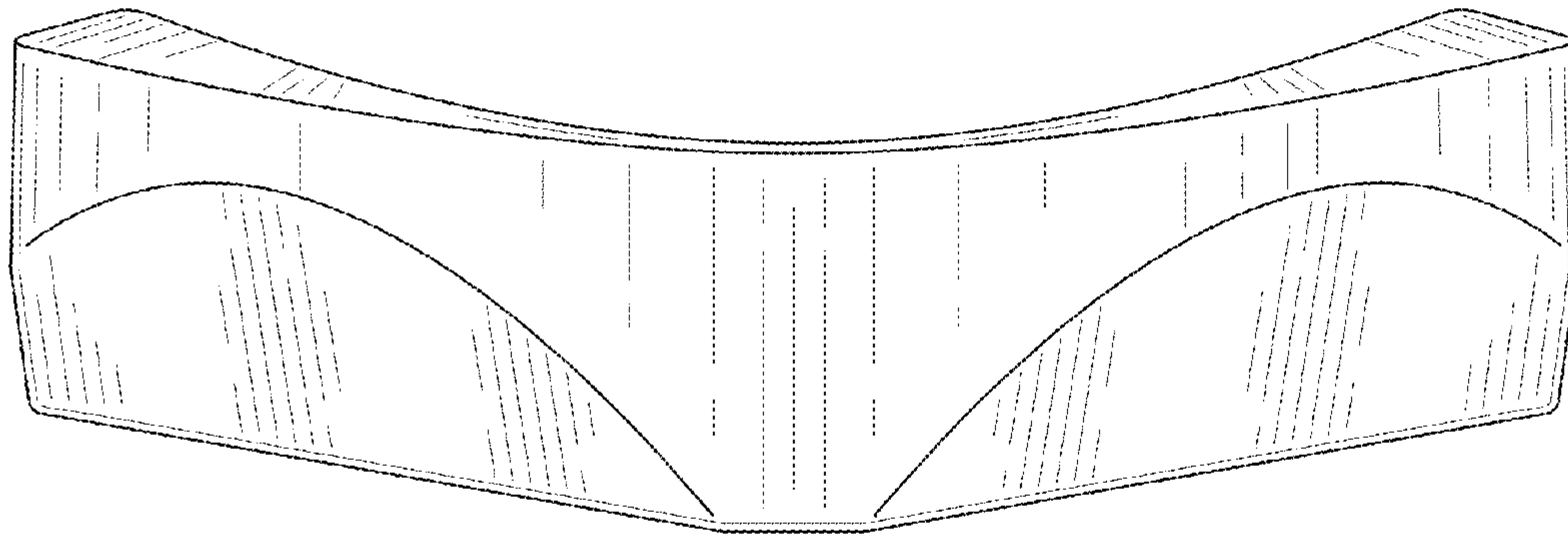
The ornamental design for an air block for respirator, as shown and described.

**DESCRIPTION**

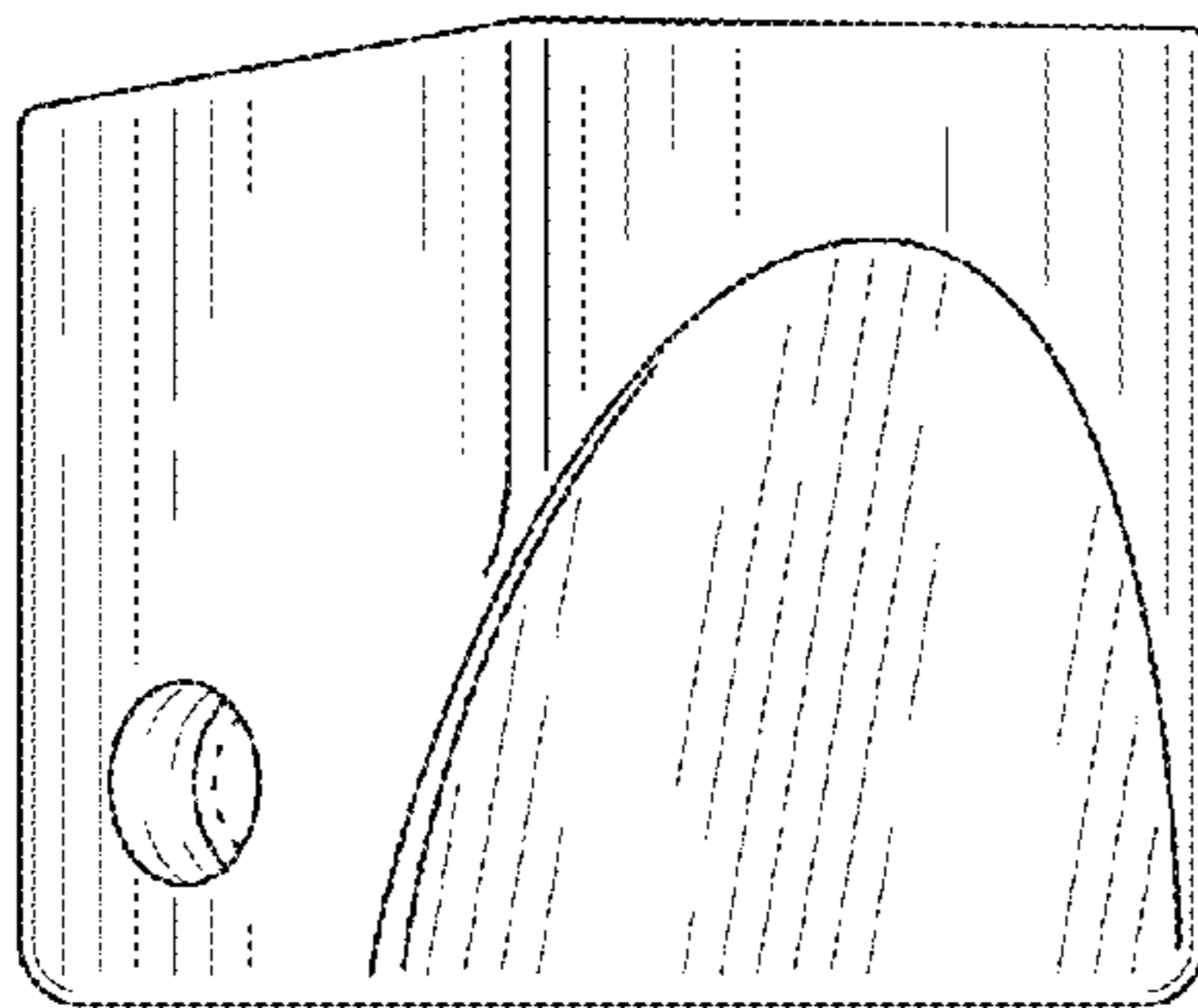
FIG. 1 is a rear perspective view of an air block for respirator according to the present invention;  
FIG. 2 is a right side view of the air block of FIG. 1;  
FIG. 3 is a front view of the air block of FIG. 1;  
FIG. 4 is a left side view of the air block of FIG. 1;  
FIG. 5 is a bottom view of the air block of FIG. 1; and,  
FIG. 6 is a top view of the air block of FIG. 1.

**1 Claim, 2 Drawing Sheets**

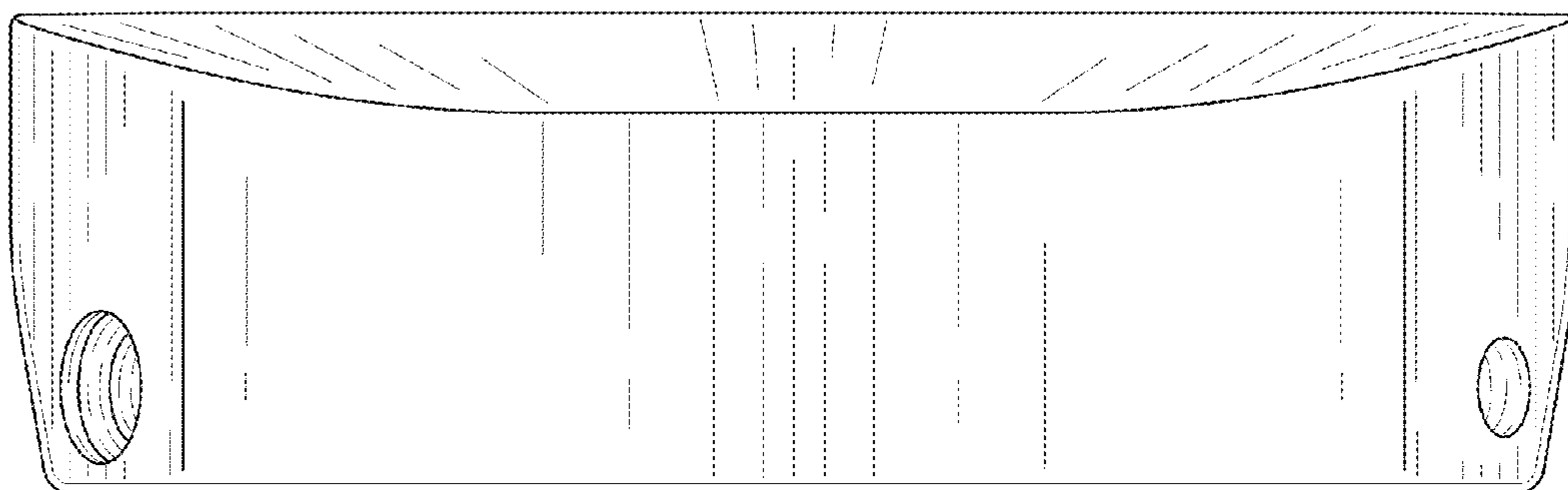




**FIG. 1**



**FIG. 2**



**FIG. 3**

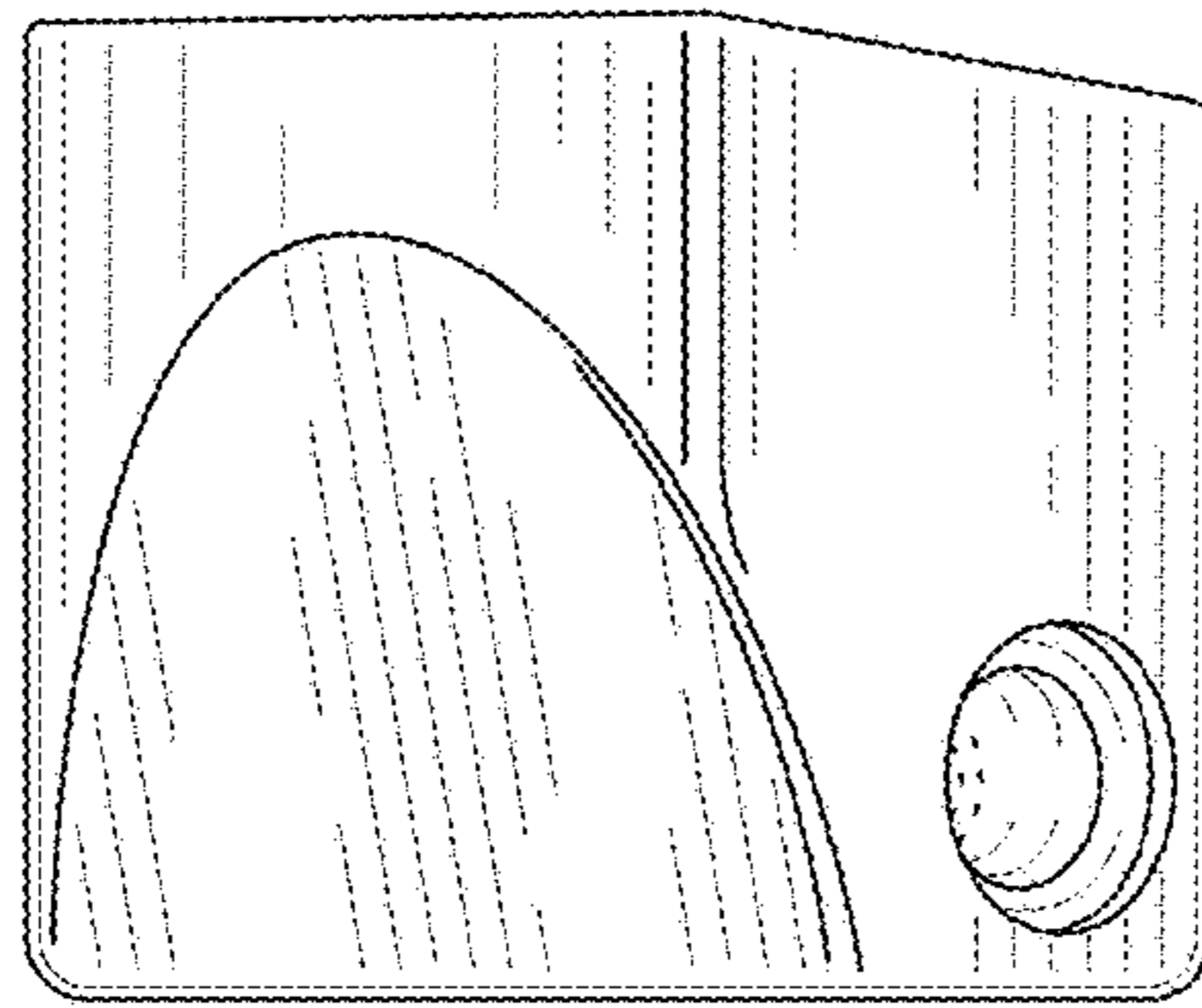


FIG. 4

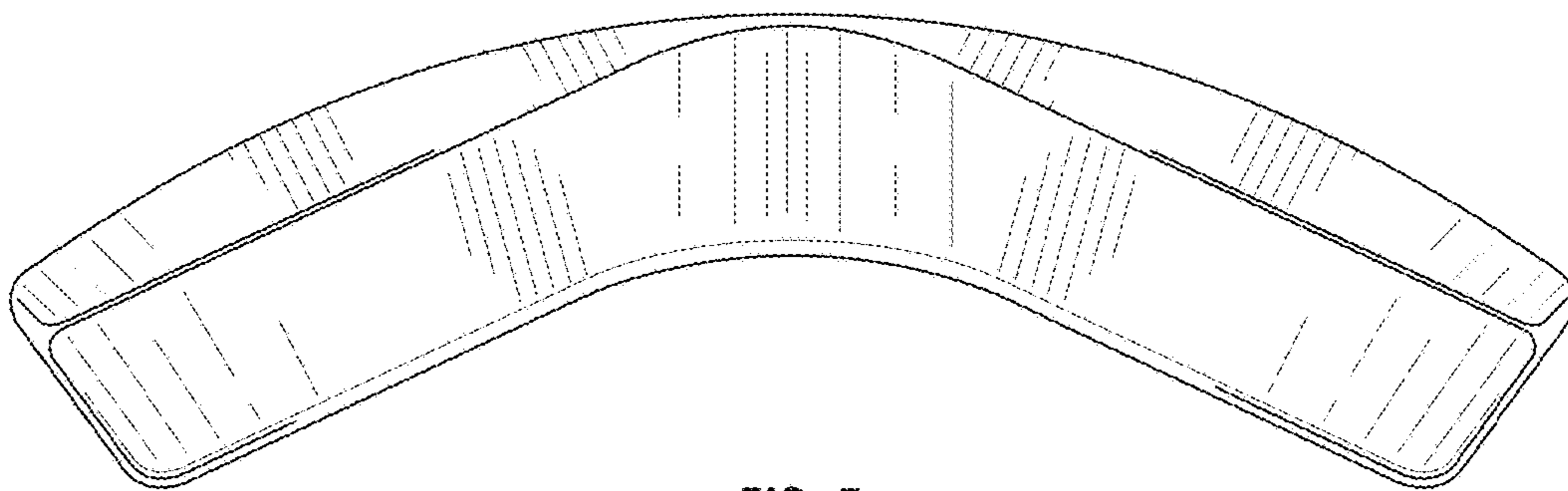


FIG. 5

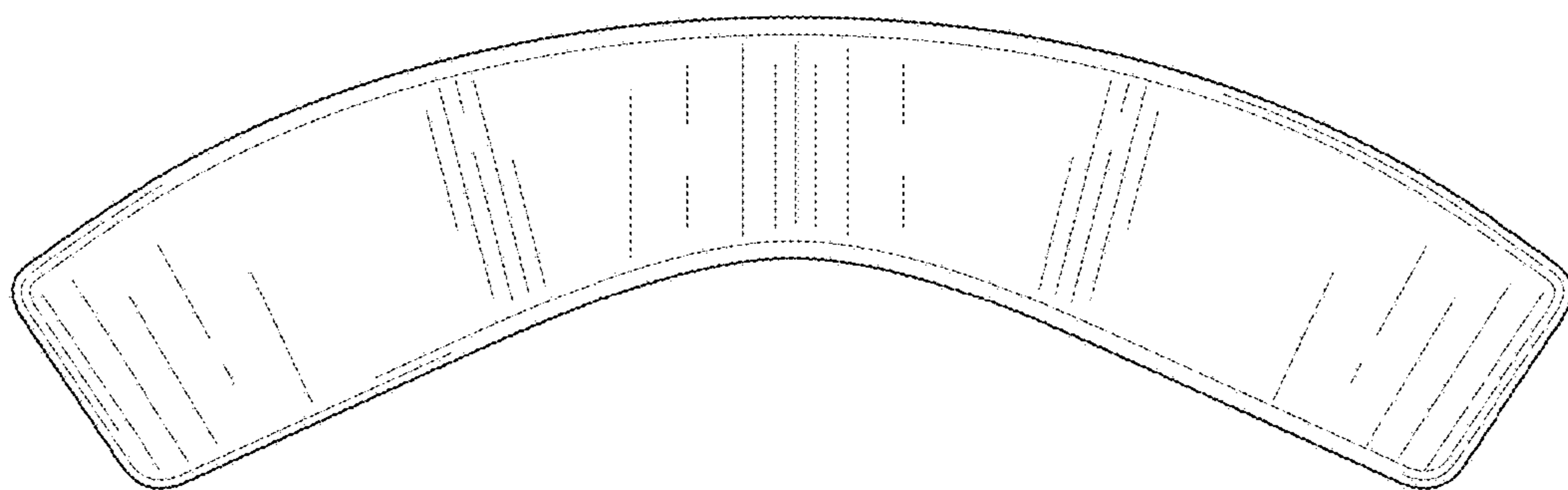


FIG. 6