



US00D800297S

(12) **United States Design Patent**
Wang

(10) **Patent No.:** **US D800,297 S**

(45) **Date of Patent:** **** Oct. 17, 2017**

(54) **CEILING FAN MOTOR HOUSING**

(71) Applicant: **AIR COOL INDUSTRIAL CO., LTD.**, Taichung (TW)

(72) Inventor: **Cliff Wang**, Taichung (TW)

(73) Assignee: **AIR COOL INDUSTRIAL CO., LTD.**, Taichung (TW)

(**) Term: **15 Years**

(21) Appl. No.: **29/584,230**

(22) Filed: **Nov. 12, 2016**

(51) **LOC (10) Cl.** **23-04**

(52) **U.S. Cl.**
USPC **D23/411**

(58) **Field of Classification Search**
USPC D23/370, 377, 379, 385, 411, 413;
D26/59
CPC H02K 1/187; F04D 25/08; F04D 29/388;
F04D 29/34; F04D 25/088
See application file for complete search history.

(56) **References Cited**

U.S. PATENT DOCUMENTS

D451,189 S * 11/2001 Liu D23/377
D535,014 S * 1/2007 Pickett D23/411
D536,438 S * 2/2007 Curtin D23/411

D557,789 S * 12/2007 Pickett D23/411
D627,050 S * 11/2010 Pan D23/411
D706,406 S * 6/2014 Wang D23/385
D743,523 S * 11/2015 Ertze D23/411
D744,081 S * 11/2015 Wang D23/411
D756,503 S * 5/2016 Wang D23/411
2009/0129974 A1 * 5/2009 McEllen A61L 9/205
422/24

* cited by examiner

Primary Examiner — Janice Hallmark

(74) *Attorney, Agent, or Firm* — Pai Patent & Trademark Law Firm; Chao-Chang David Pai

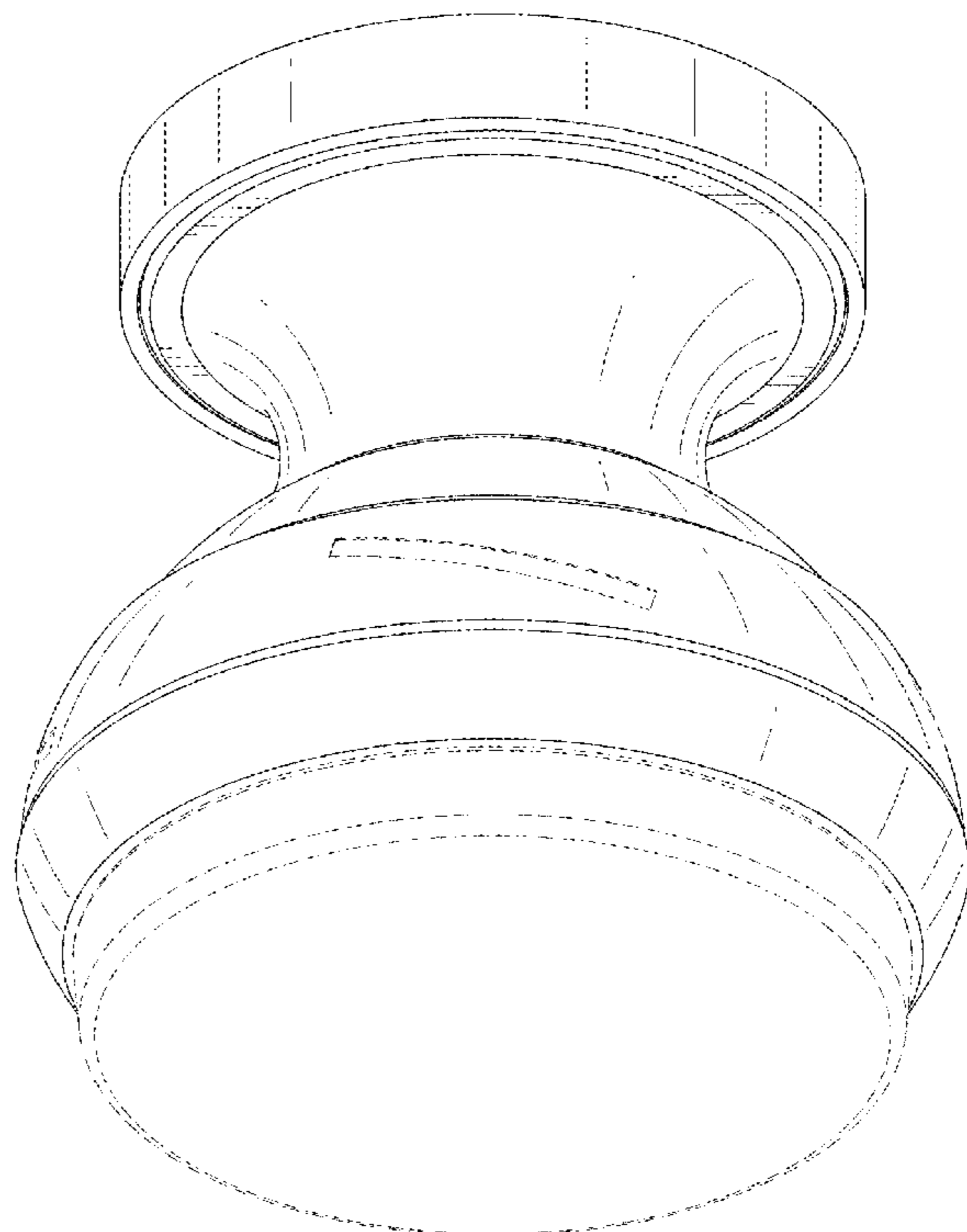
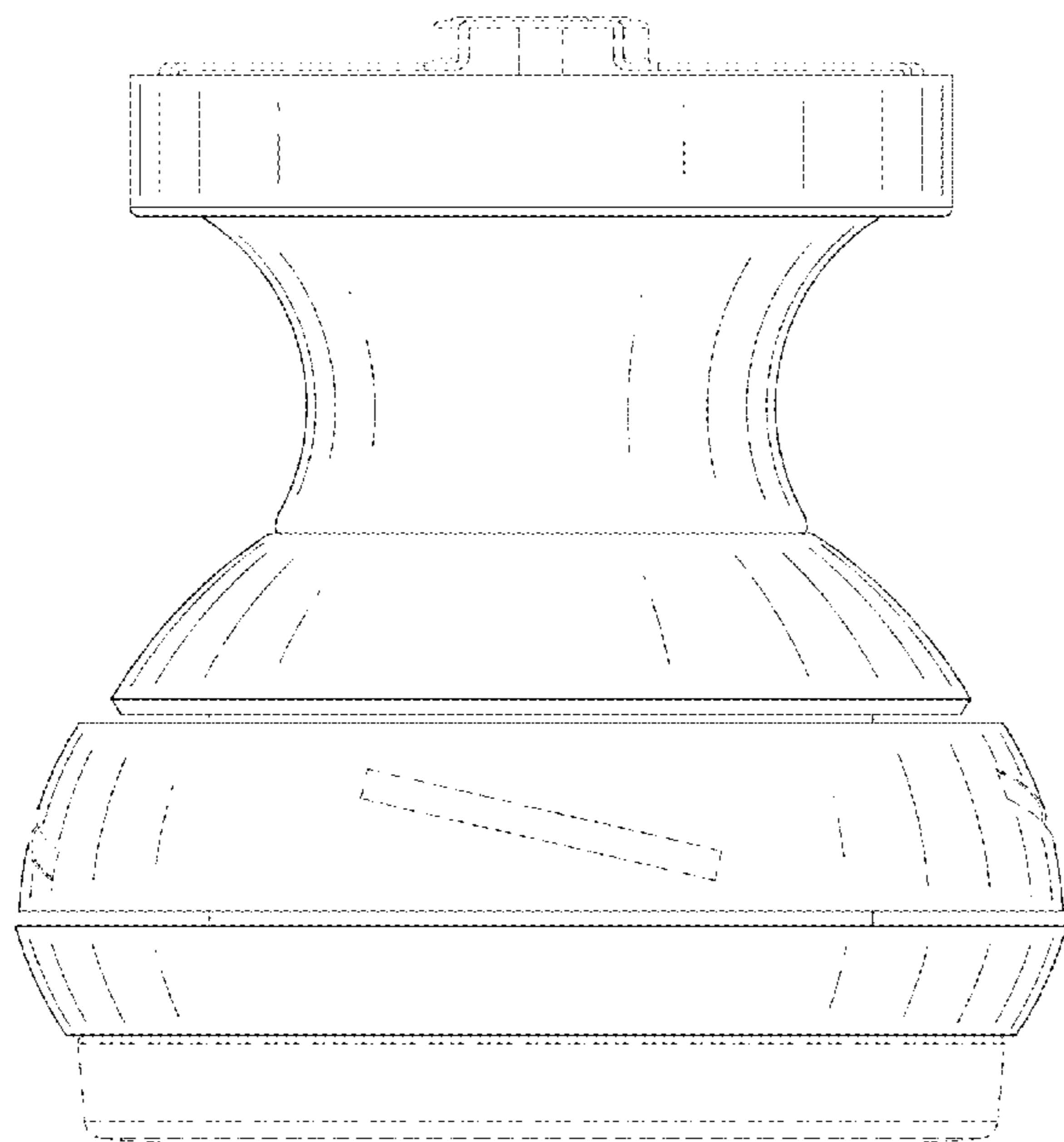
(57) **CLAIM**

The ornamental design for a ceiling fan motor housing, as shown and described.

DESCRIPTION

FIG. 1 is a front top perspective view of a ceiling fan motor housing showing my new design;
FIG. 2 is a front elevational view thereof;
FIG. 3 is a rear elevational view thereof;
FIG. 4 is a left side elevational view thereof;
FIG. 5 is a right side elevational view thereof;
FIG. 6 is a top plan view thereof;
FIG. 7 is a bottom plan view thereof; and,
FIG. 8 is a front bottom perspective view thereof.
The broken lines are for the purpose of illustrating environmental structure and form no part of the claimed design.

1 Claim, 8 Drawing Sheets



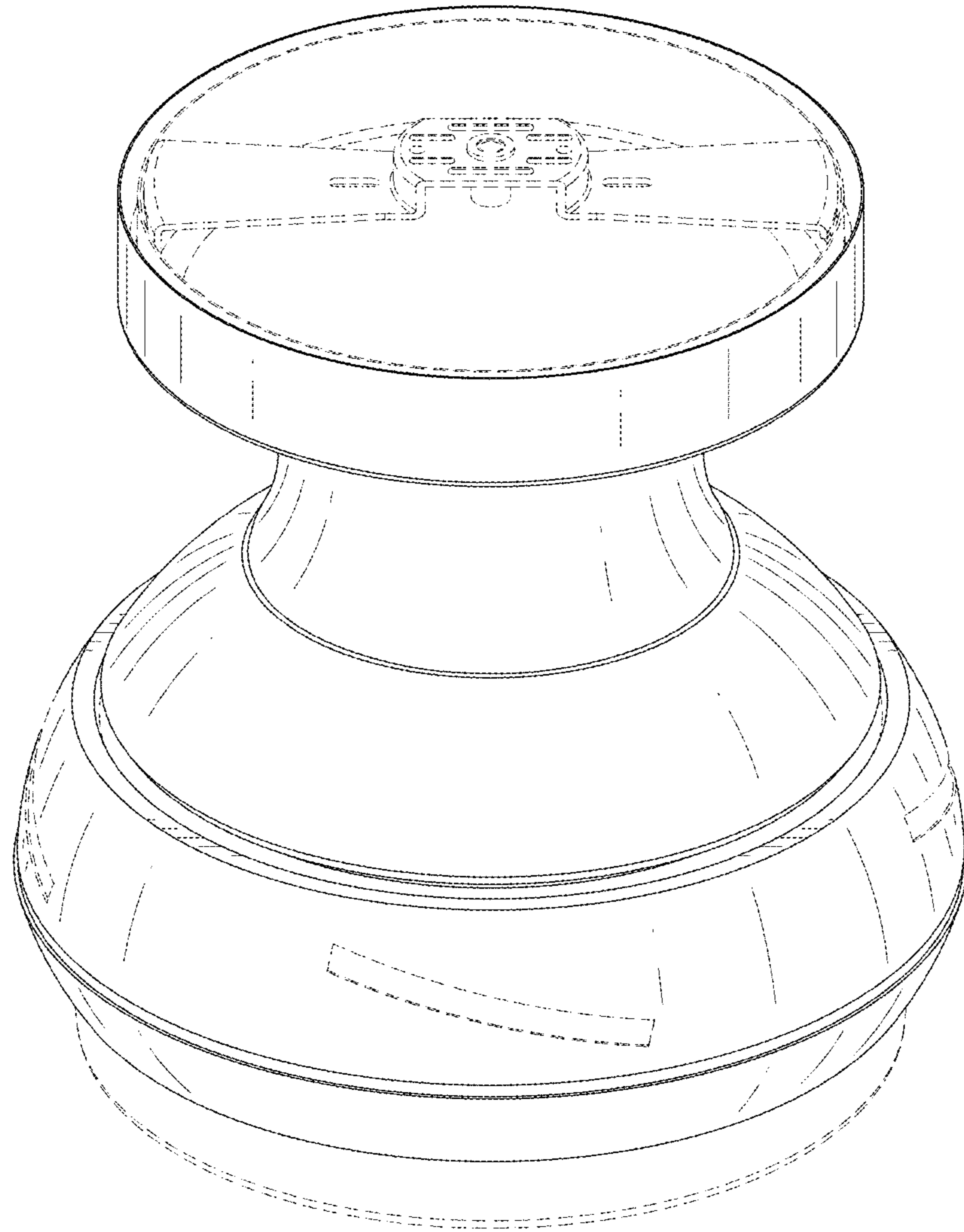


FIG. 1

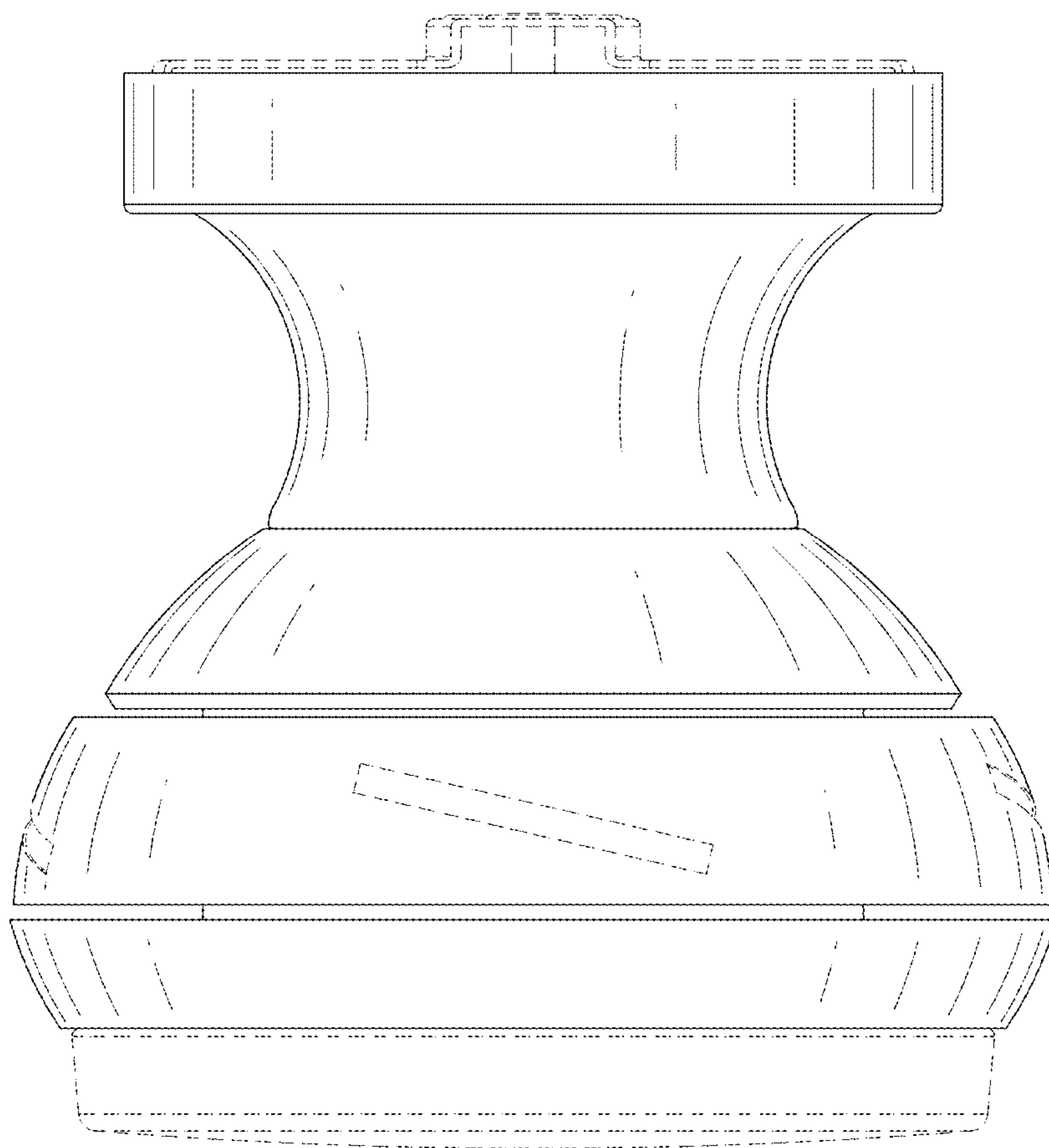


FIG. 2

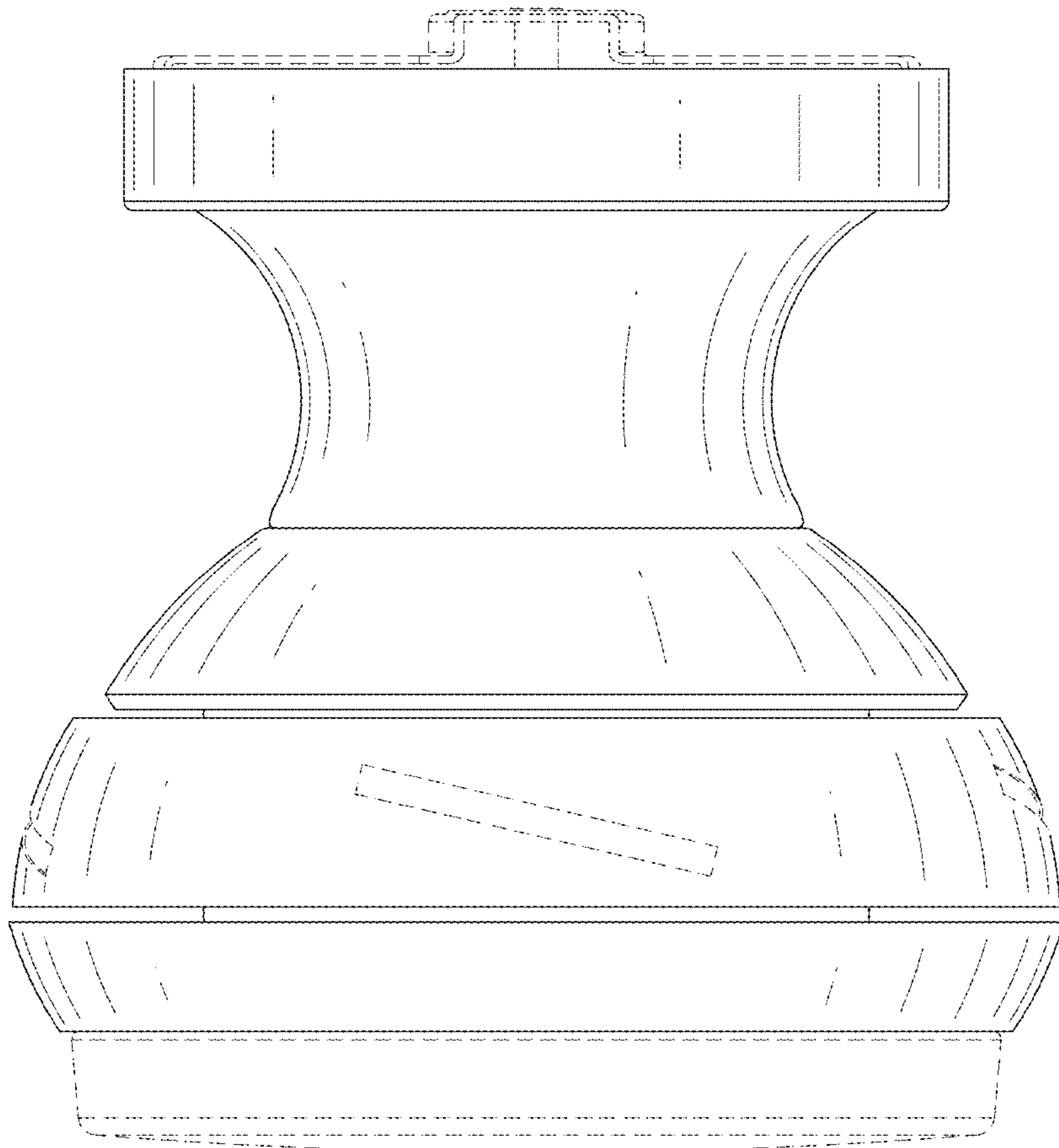


FIG. 3

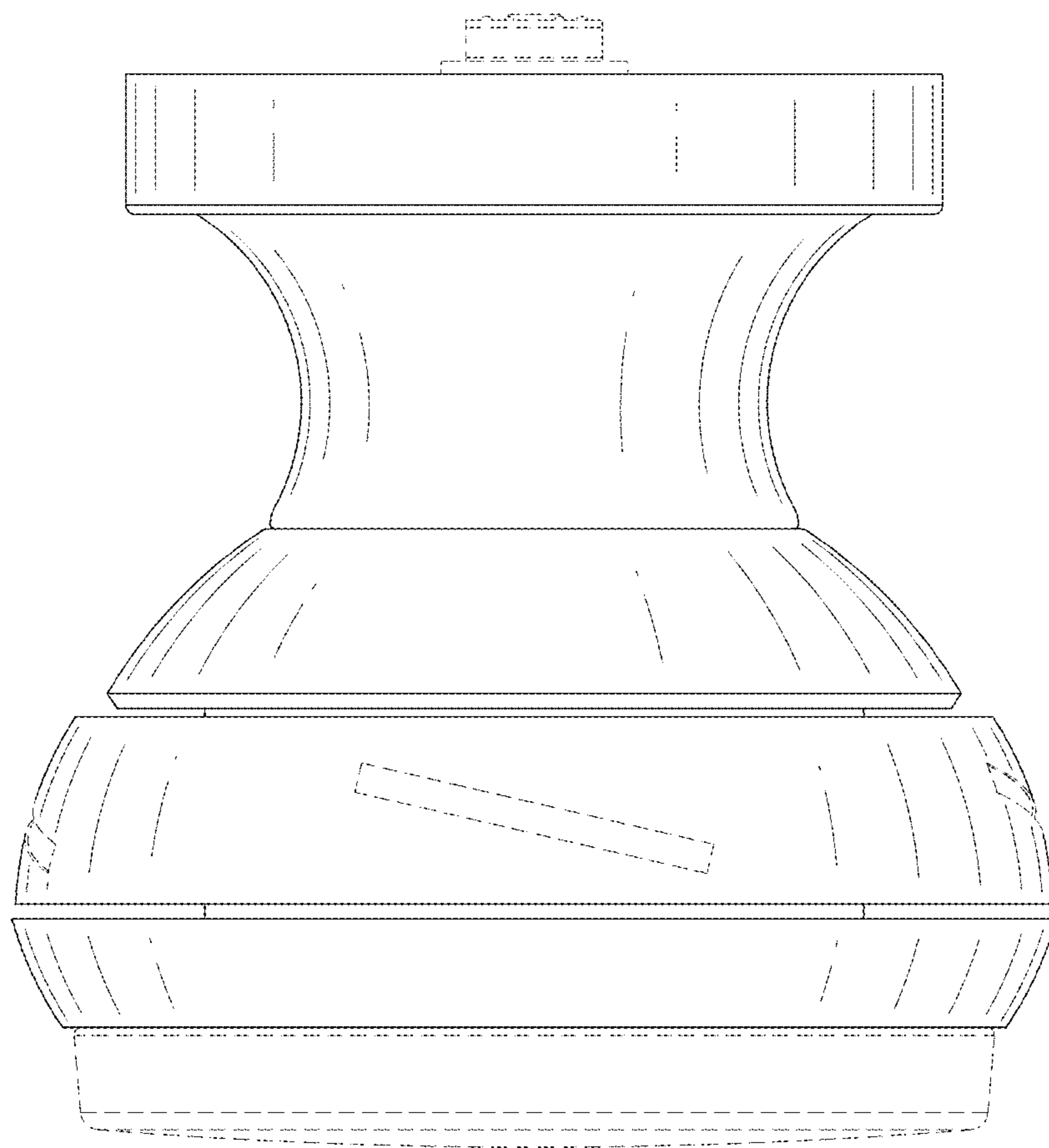


FIG. 4

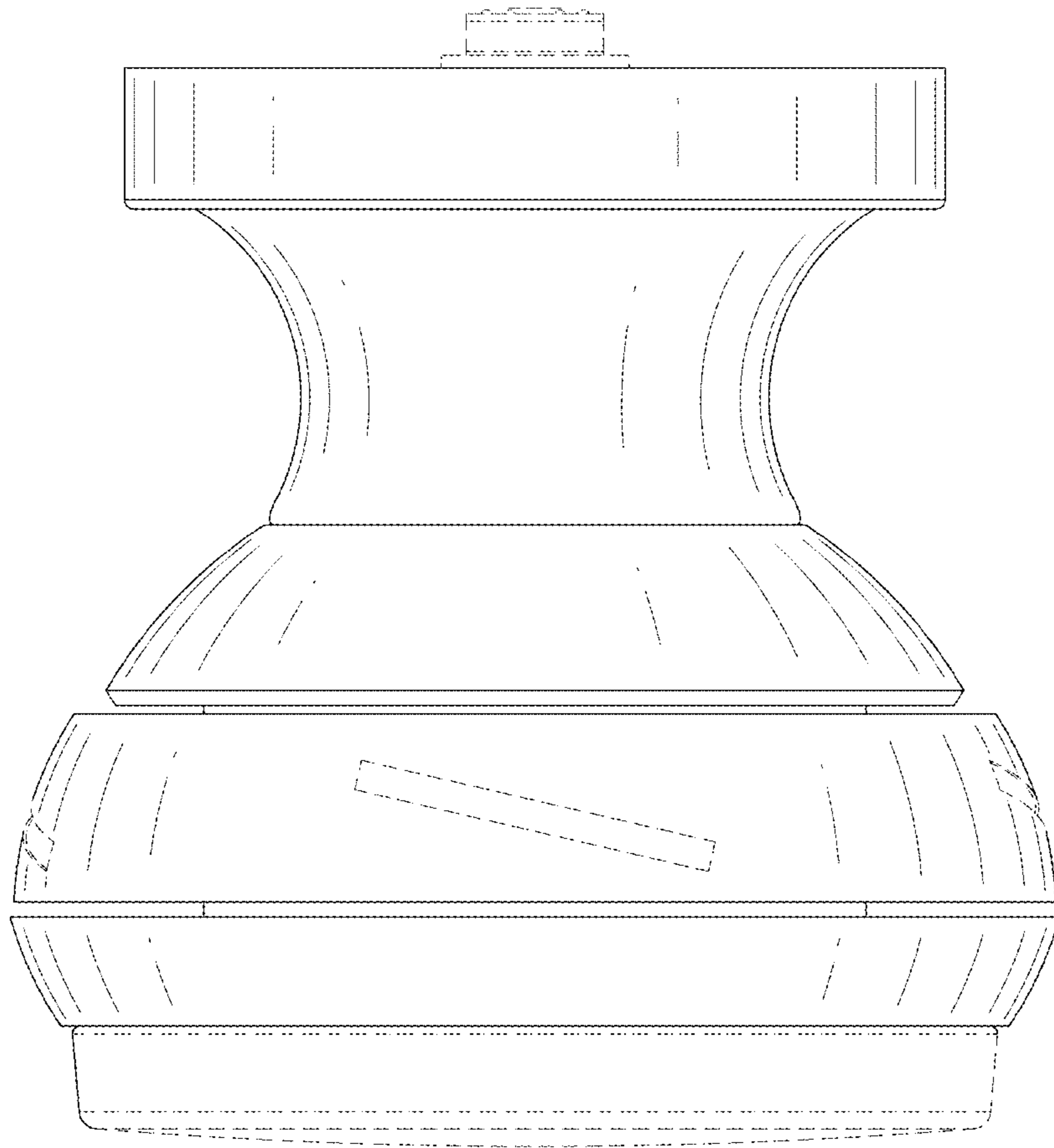


FIG. 5

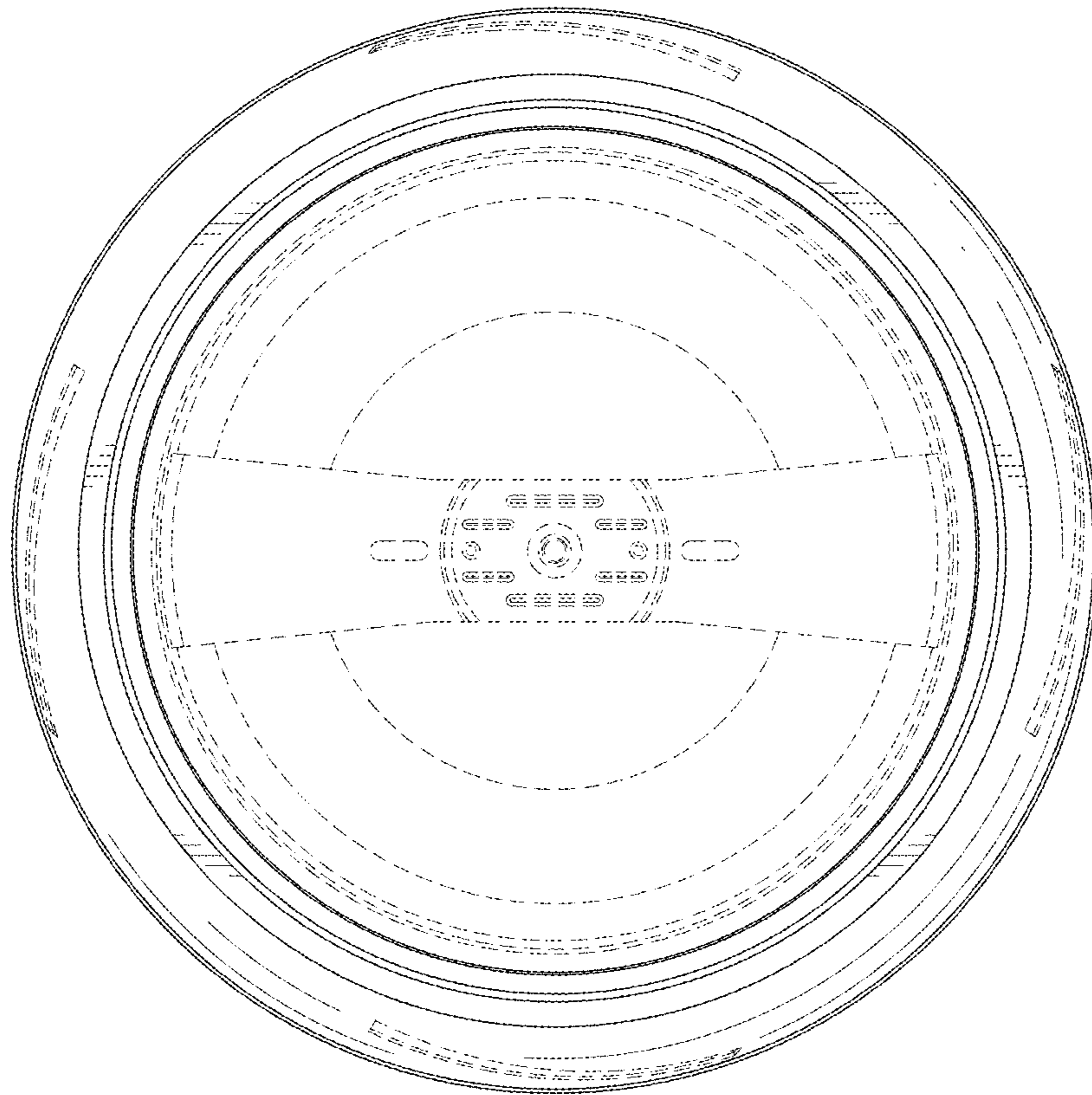


FIG. 6

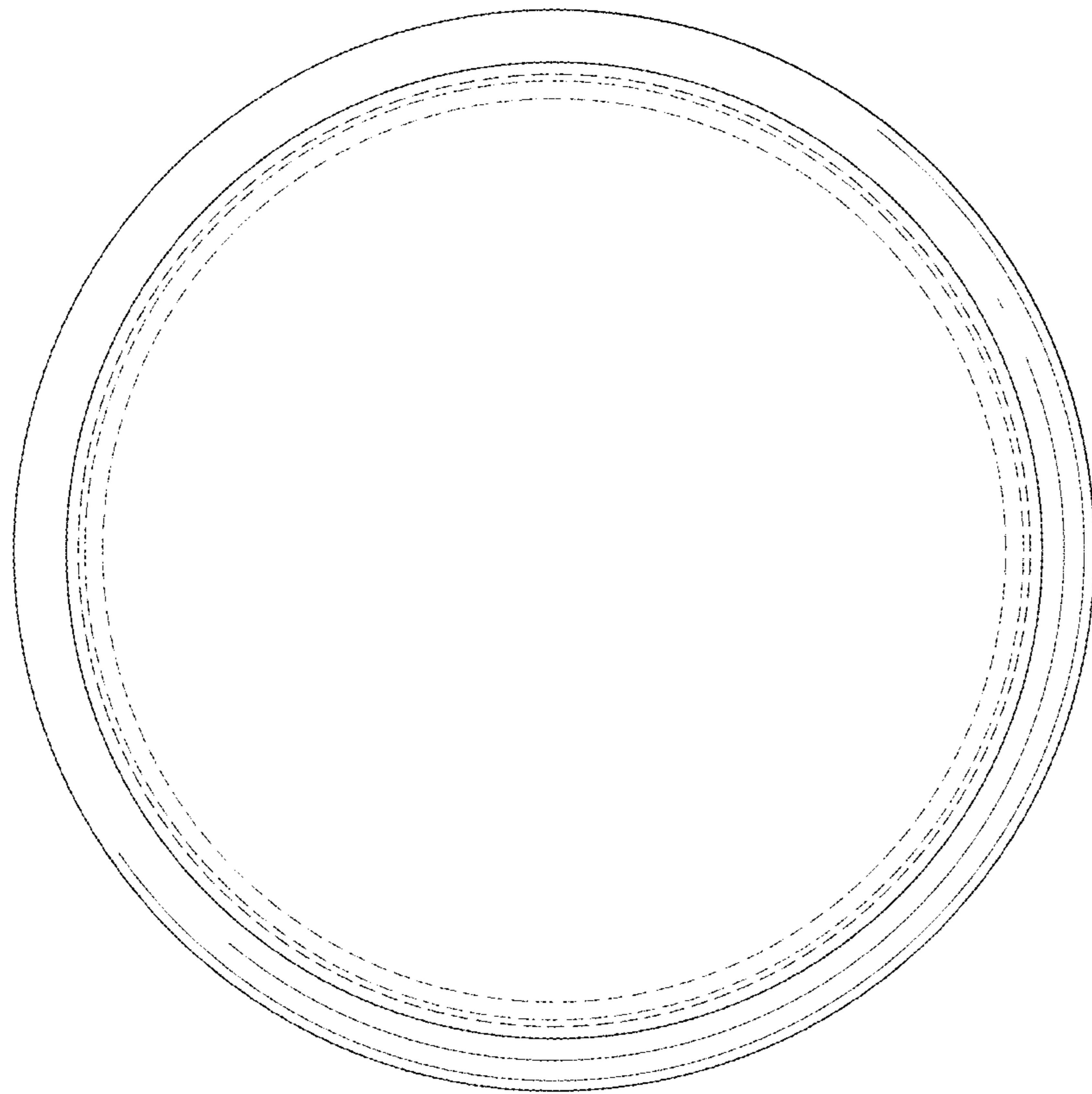


FIG. 7

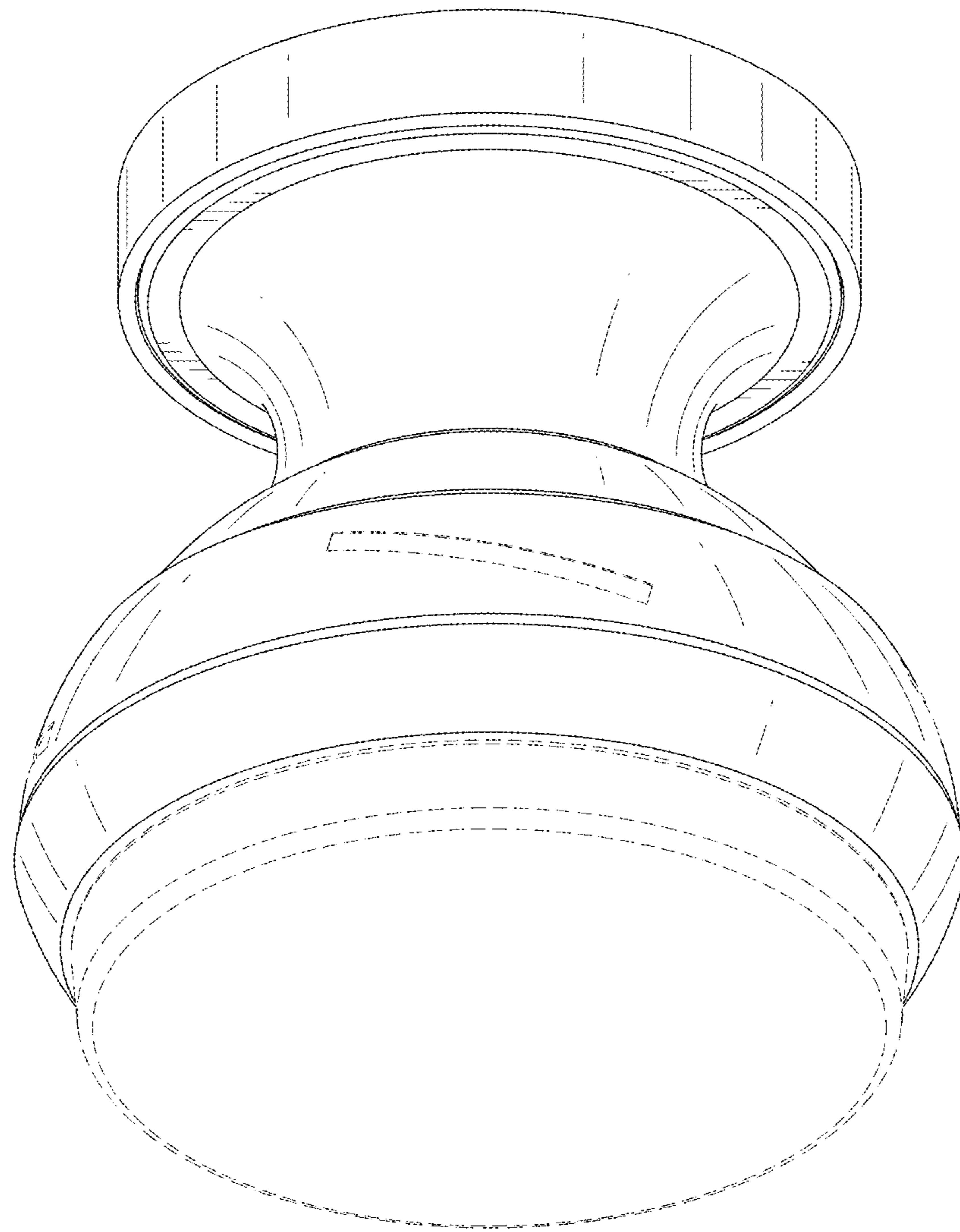


FIG. 8