



US00D800296S

(12) **United States Design Patent**  
**Wang**

(10) **Patent No.:** **US D800,296 S**  
(45) **Date of Patent:** **\*\* Oct. 17, 2017**

- (54) **FAN BLADE BRACKET**
- (71) Applicant: **AIR COOL INDUSTRIAL CO., LTD.**, Taichung (TW)
- (72) Inventor: **Cliff Wang**, Taichung (TW)
- (73) Assignee: **AIR COOL INDUSTRIAL CO., LTD.**, Taichung (TW)
- (\*\*) Term: **15 Years**
- (21) Appl. No.: **29/574,286**
- (22) Filed: **Aug. 12, 2016**
- (51) **LOC (10) Cl.** ..... **23-04**
- (52) **U.S. Cl.**  
USPC ..... **D23/411**
- (58) **Field of Classification Search**  
USPC ..... D23/370, 377, 379, 381, 382, 385, 411,  
D23/413, 414, 332, 328; D26/59;  
D8/380, 381  
CPC ..... F04D 25/08; F04D 29/388; F04D 29/34;  
F04D 25/088; H02K 1/187  
See application file for complete search history.

(56) **References Cited**

**U.S. PATENT DOCUMENTS**

D464,870 S	*	10/2002	Fraser	.....	D8/373
D522,648 S	*	6/2006	Ertze	.....	D23/411
D528,652 S	*	9/2006	Hidalgo	.....	D23/411
D535,384 S	*	1/2007	Pickett	.....	D23/411
D535,739 S	*	1/2007	Pan	.....	D23/411
D536,087 S	*	1/2007	Pickett	.....	D23/411

D536,437 S	*	2/2007	Pickett	.....	D23/411
D548,322 S	*	8/2007	Ertze	.....	D23/411
D551,337 S	*	9/2007	Pickett	.....	D23/411
D551,756 S	*	9/2007	Ertze	.....	D23/411
D580,546 S	*	11/2008	Smyth	.....	D23/411
D613,847 S	*	4/2010	Shurtleff	.....	D23/411
D620,099 S	*	7/2010	Flores	.....	D23/411
D622,578 S	*	8/2010	Kollman	.....	D8/380
D627,872 S	*	11/2010	Pan	.....	D23/411
D756,759 S	*	5/2016	Atkins	.....	D8/381
D787,038 S	*	5/2017	Badarello	.....	D23/411
2009/0246028 A1	*	10/2009	Richardson	.....	F04D 29/34 416/210 R

\* cited by examiner

*Primary Examiner* — Janice Hallmark

(74) *Attorney, Agent, or Firm* — Pai Patent & Trademark Law Firm; Chao-Chang David Pai

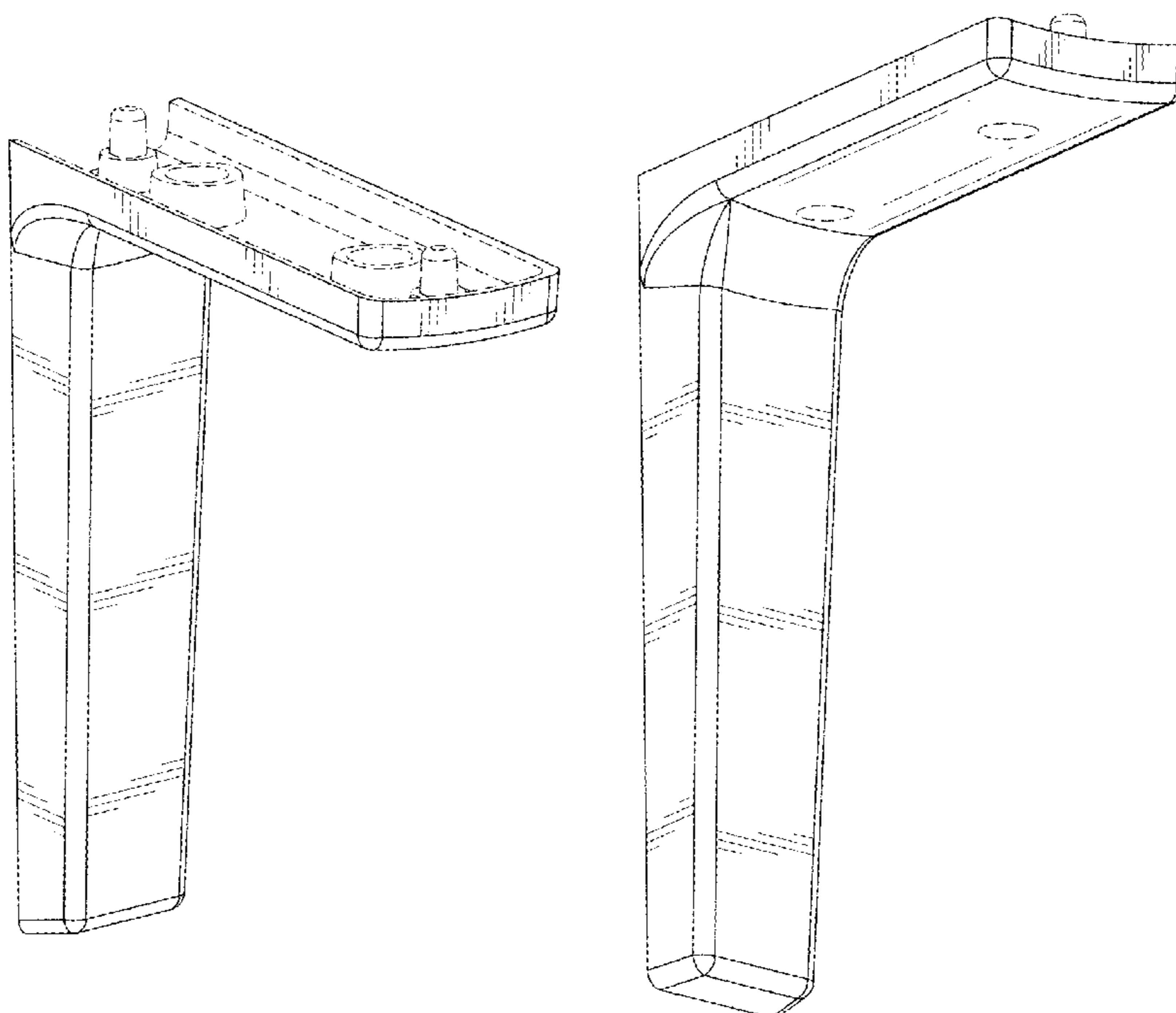
(57) **CLAIM**

The ornamental design for a fan blade bracket, as shown and described.

**DESCRIPTION**

FIG. 1 is a front top perspective view of a fan blade bracket showing my new design;  
 FIG. 2 is a front elevational view thereof;  
 FIG. 3 is a rear elevational view thereof;  
 FIG. 4 is a left side elevational view thereof;  
 FIG. 5 is a right side elevational view thereof;  
 FIG. 6 is a top plan view thereof;  
 FIG. 7 is a bottom plan view thereof; and,  
 FIG. 8 is a front bottom perspective view thereof.  
 The broken lines are for the purpose of illustrating environmental structure and form no part of the claimed design.

**1 Claim, 5 Drawing Sheets**



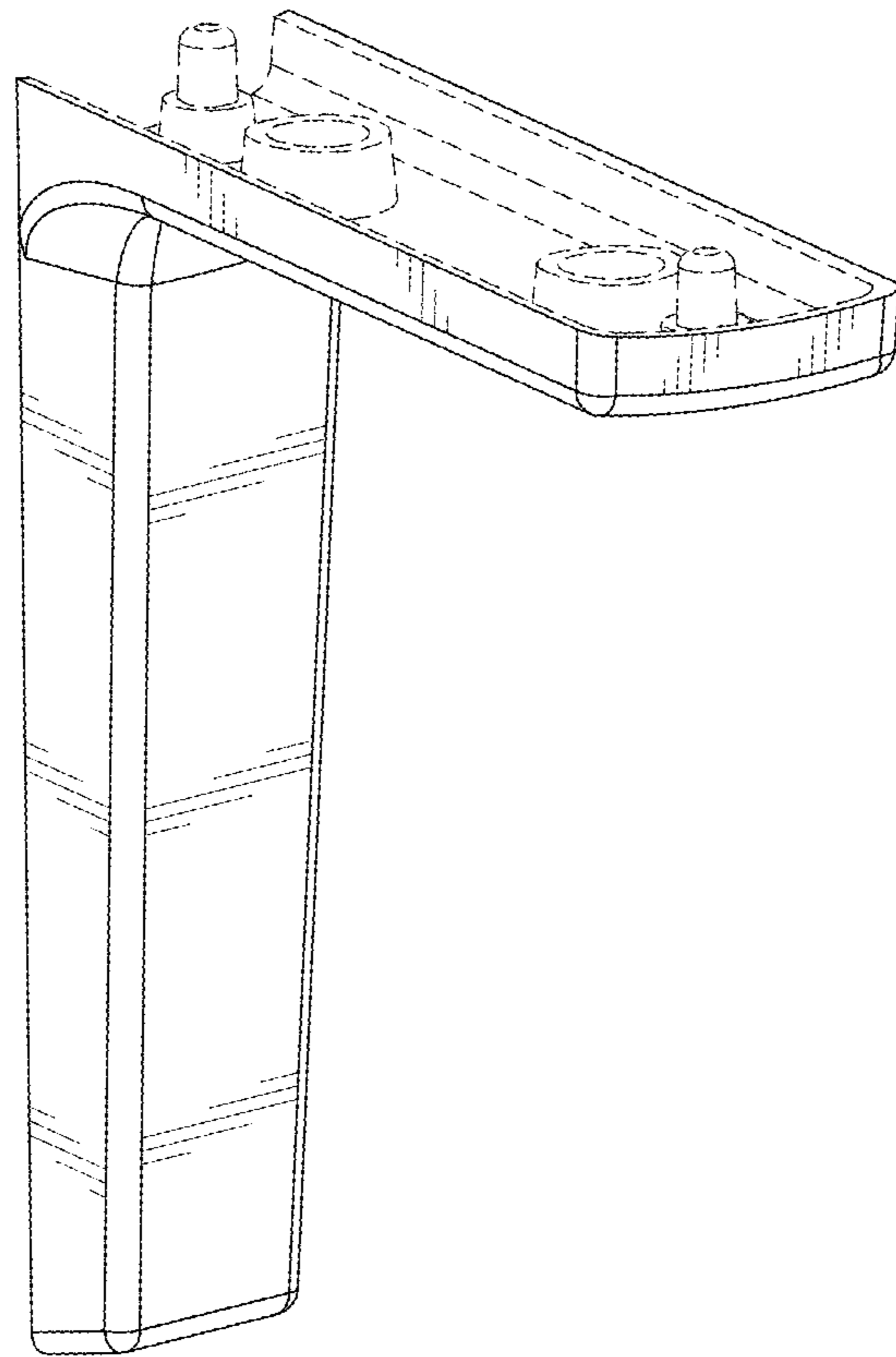


FIG. 1

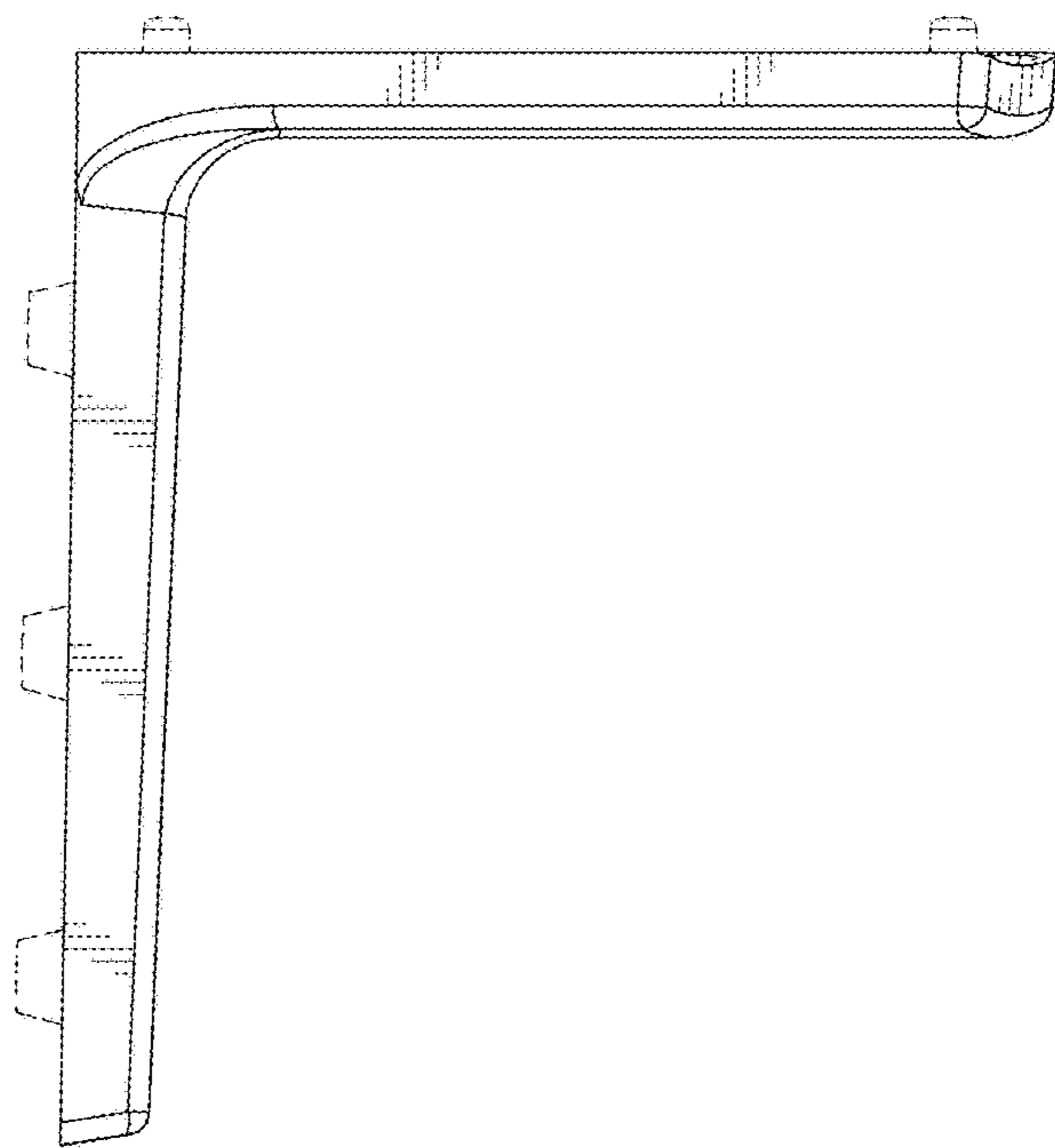


FIG. 2

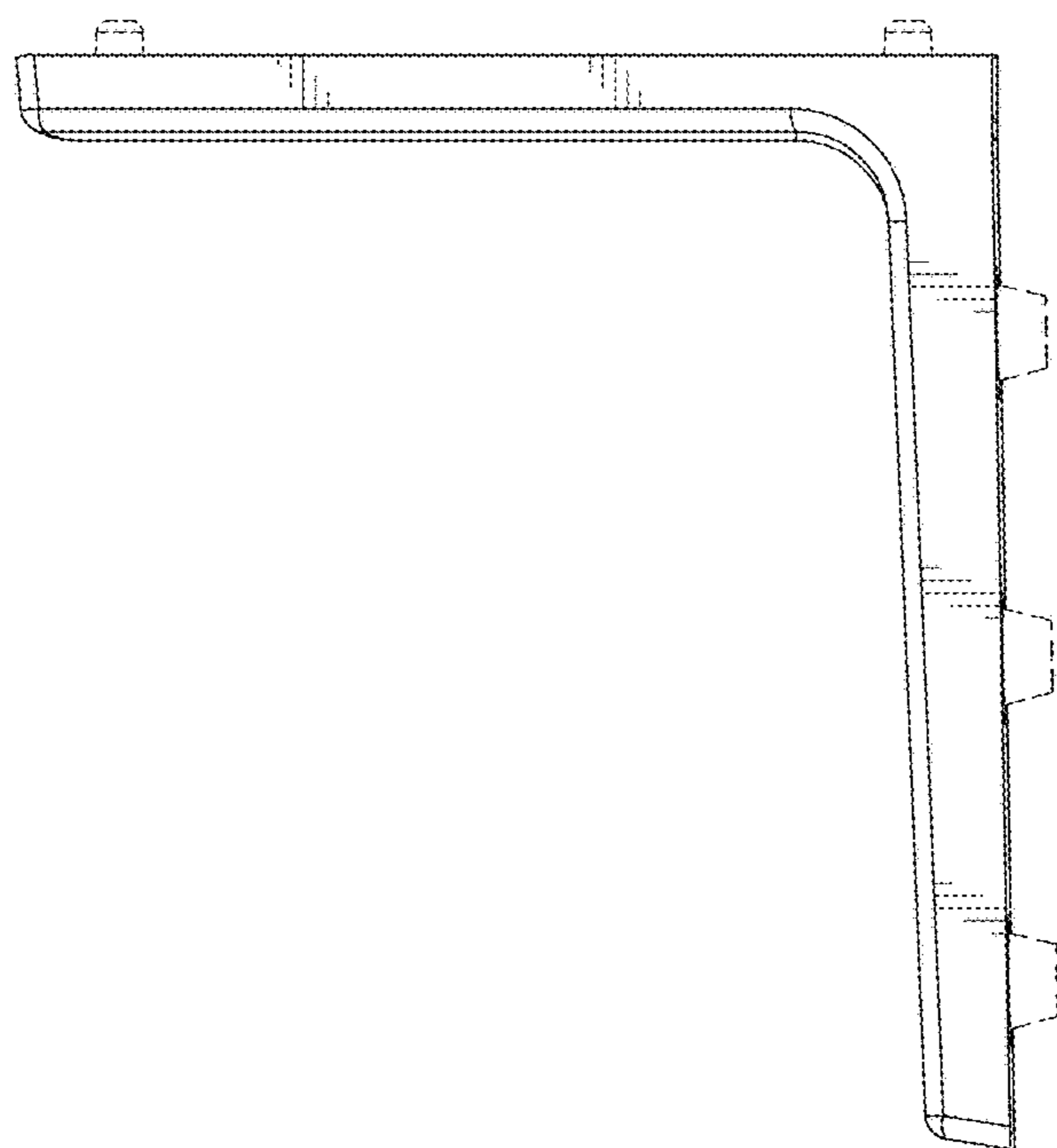


FIG. 3

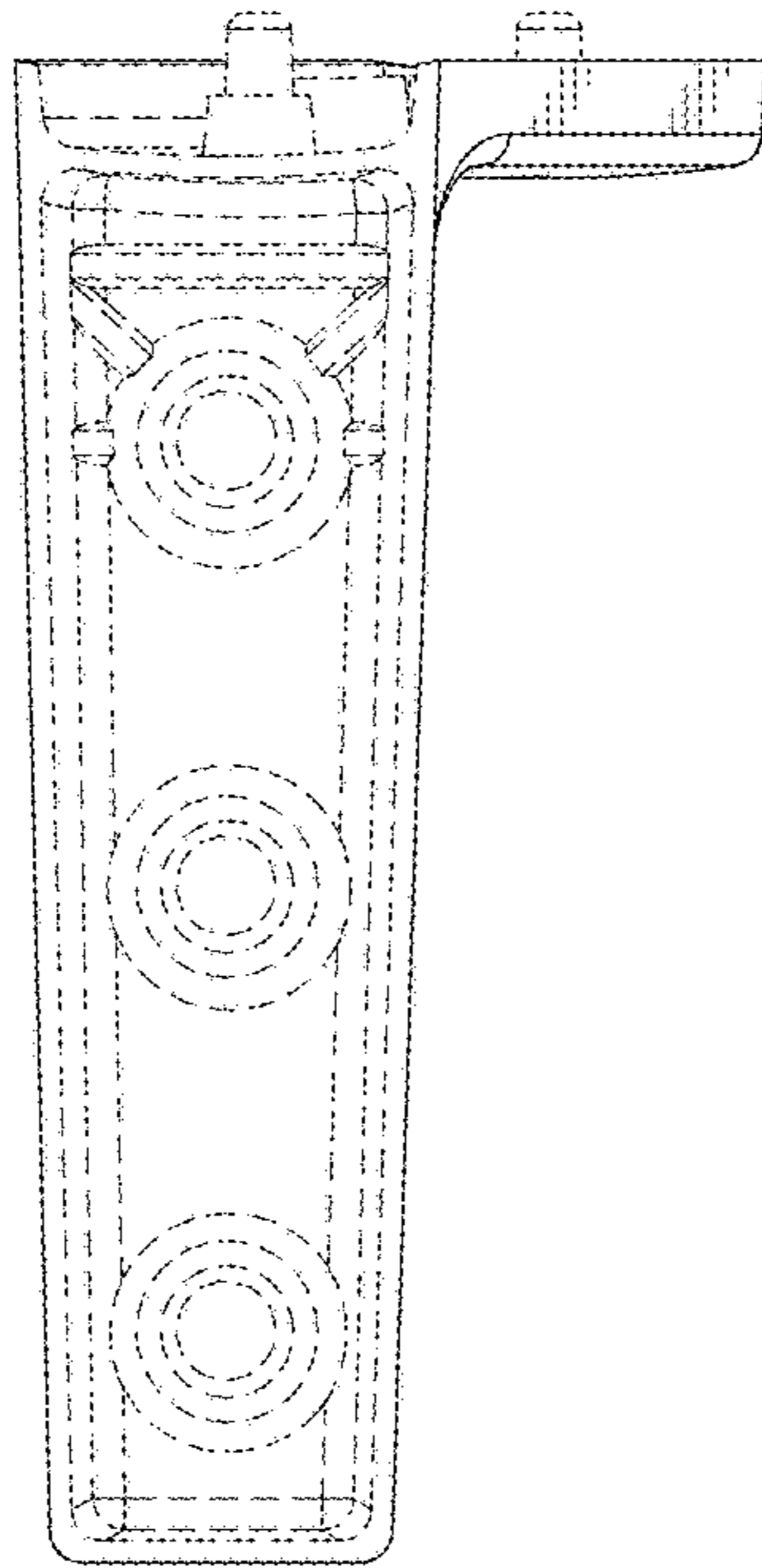


FIG. 4

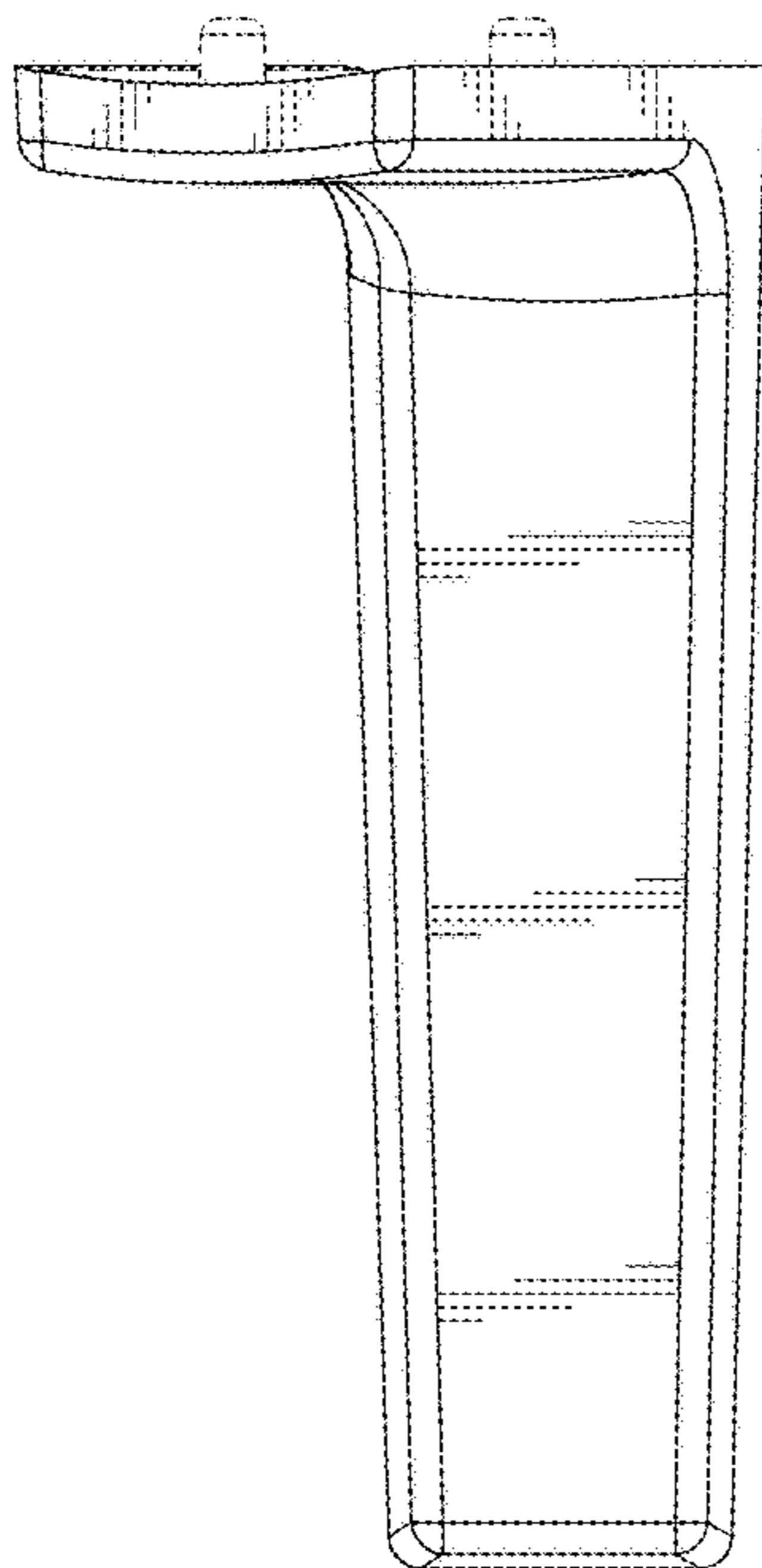


FIG. 5

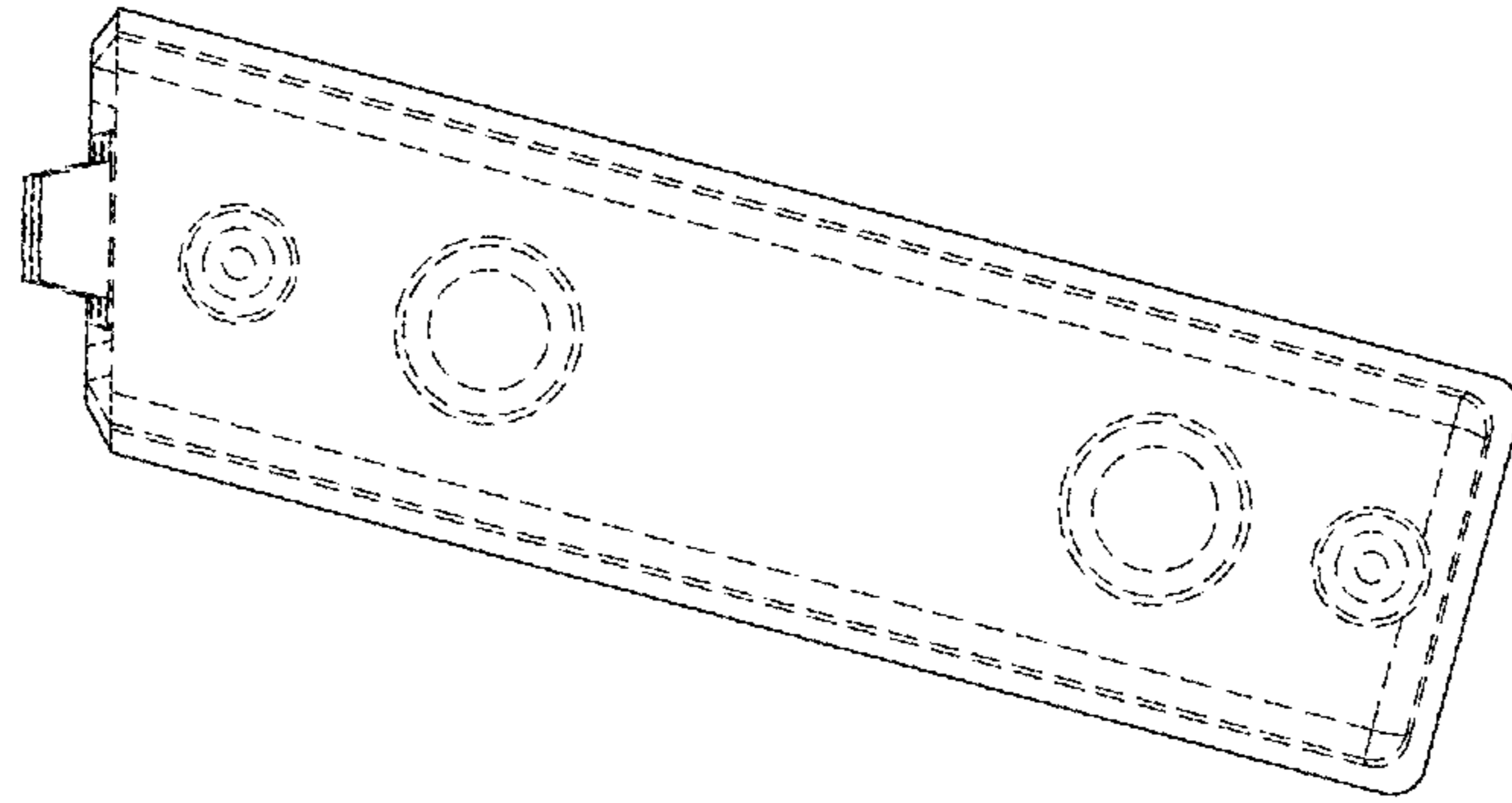


FIG. 6

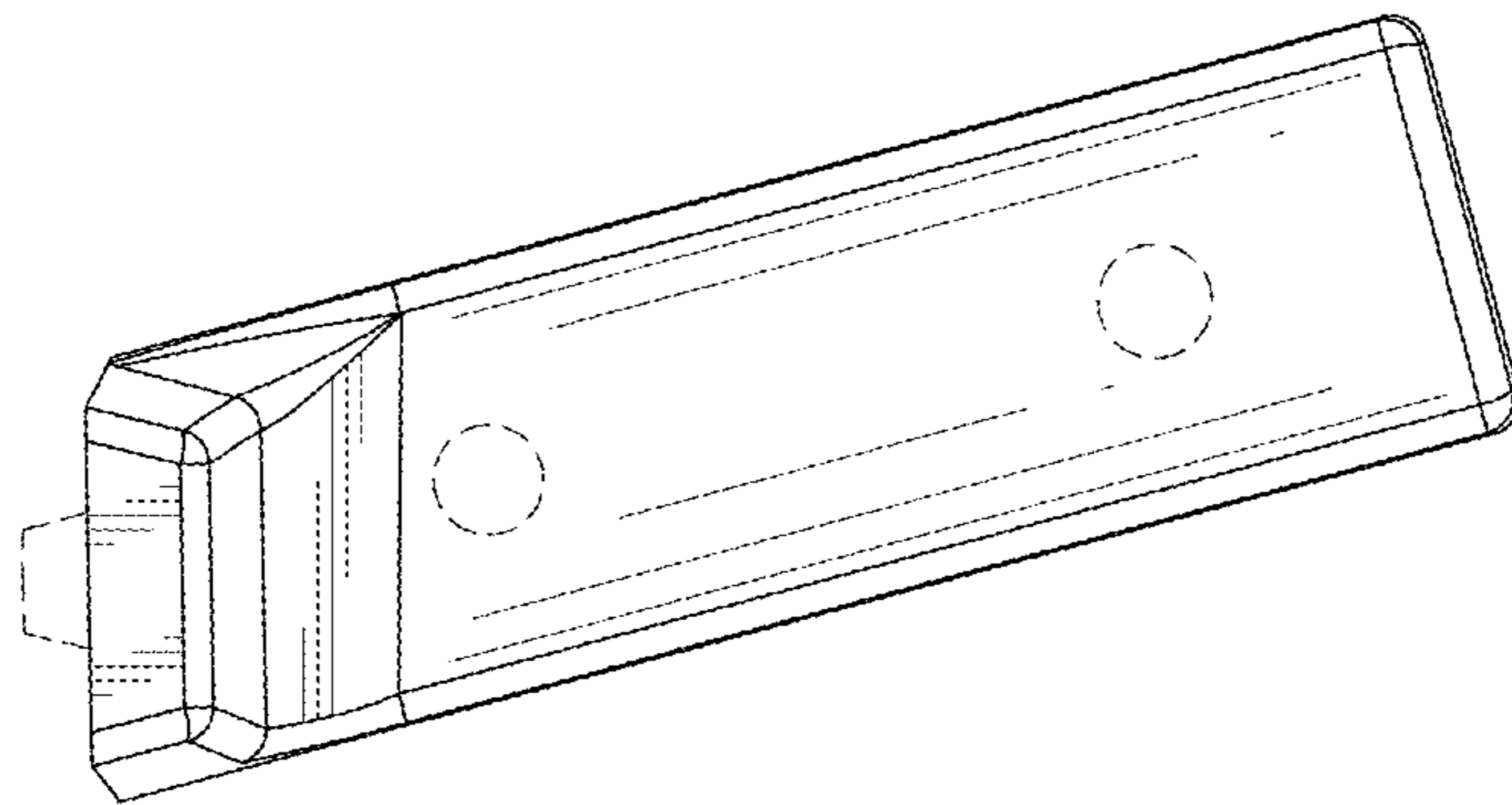


FIG. 7

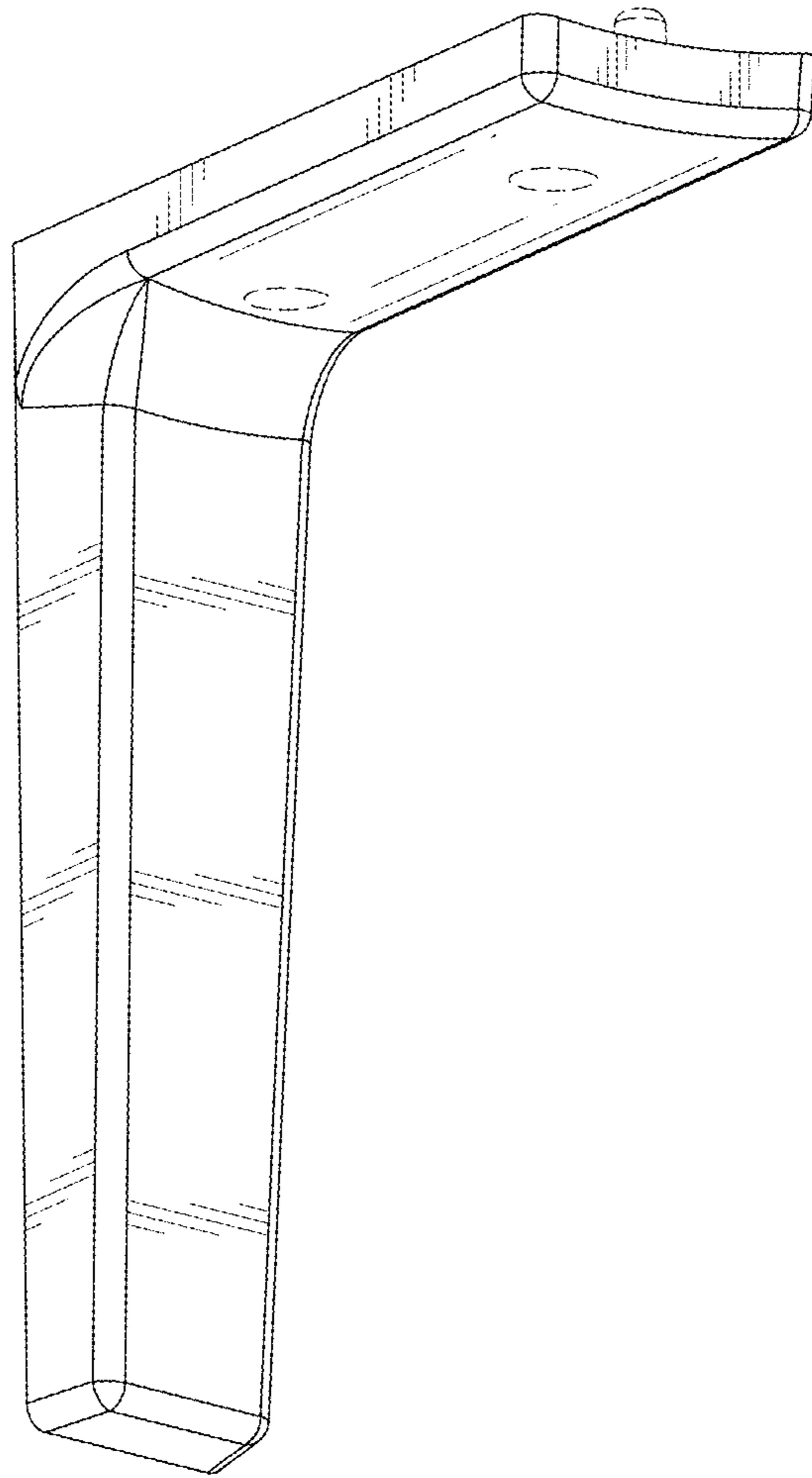


FIG. 8