



US00D800293S

(12) **United States Design Patent**
Chan

(10) **Patent No.:** **US D800,293 S**

(45) **Date of Patent:** **** Oct. 17, 2017**

(54) **FLOOR BLOWER HOUSING**

(71) Applicant: **Jayden International, Inc.**, Santa Fe Springs, CA (US)

(72) Inventor: **Yuen Hei Chan**, Santa Fe Springs, CA (US)

(73) Assignee: **Jayden International, Inc.**, Santa Fe Springs, CA (US)

(**) Term: **15 Years**

(21) Appl. No.: **29/559,885**

(22) Filed: **Mar. 31, 2016**

(51) **LOC (10) Cl.** **23-04**

(52) **U.S. Cl.**
USPC **D23/383**

(58) **Field of Classification Search**
USPC D23/370-376, 355, 377, 378-385,
D23/411-414
CPC E04H 4/16; E04H 4/1618; E04H 4/1636;
E04H 4/1645; F04D 25/084
See application file for complete search history.

(56) **References Cited**

U.S. PATENT DOCUMENTS

D122,943 S	*	10/1940	Guild	D23/383
D152,778 S	*	2/1949	Fox	D23/370
D211,947 S	*	8/1968	Matsuyoshi et al.	D23/370
D282,396 S	*	1/1986	Weaver	D23/383
5,265,895 A	*	11/1993	Barrett	A47L 5/22 280/47.24
D361,414 S	*	8/1995	Trautloff	D32/15
D481,116 S		10/2003	Wang et al.		

(Continued)

OTHER PUBLICATIONS

Global ¾ HP 3 Speed Floor Dryer, Blower, review posted Jan. 30, 2012, globalindustrial.com, site visited Feb. 14, 2017, Copyright© 2017, Available from Internet, <<http://www.globalindustrial.com/p/janitorial-maintenance/floor-care/floor-dryers/3-4-hp-3-speed->

floor-dryer-blower?infoParam.campaignId=T9F
&gclid=CMnnp7W_kNICFYKNswod2C4CqA>.*

Primary Examiner — Cathron Brooks

Assistant Examiner — Sharon S Oum

(74) *Attorney, Agent, or Firm* — Lowe Graham Jones PLLC

(57) **CLAIM**

I claim the ornamental design for the floor blower housing, as shown and described.

DESCRIPTION

FIG. 1 is a top perspective view of the floor blower housing, showing my new design.

FIG. 2 is a bottom perspective view of the floor blower housing, showing my new design.

FIG. 3 is a side planar view of the floor blower housing, showing my new design.

FIG. 4 is another side planar view of the floor blower housing, showing my new design.

FIG. 5 is a top planar view of the floor blower housing, showing my new design.

FIG. 6 is a bottom side planar view of the floor blower housing, showing my new design.

FIG. 7 is a front planar view of the floor blower housing, showing my new design; and,

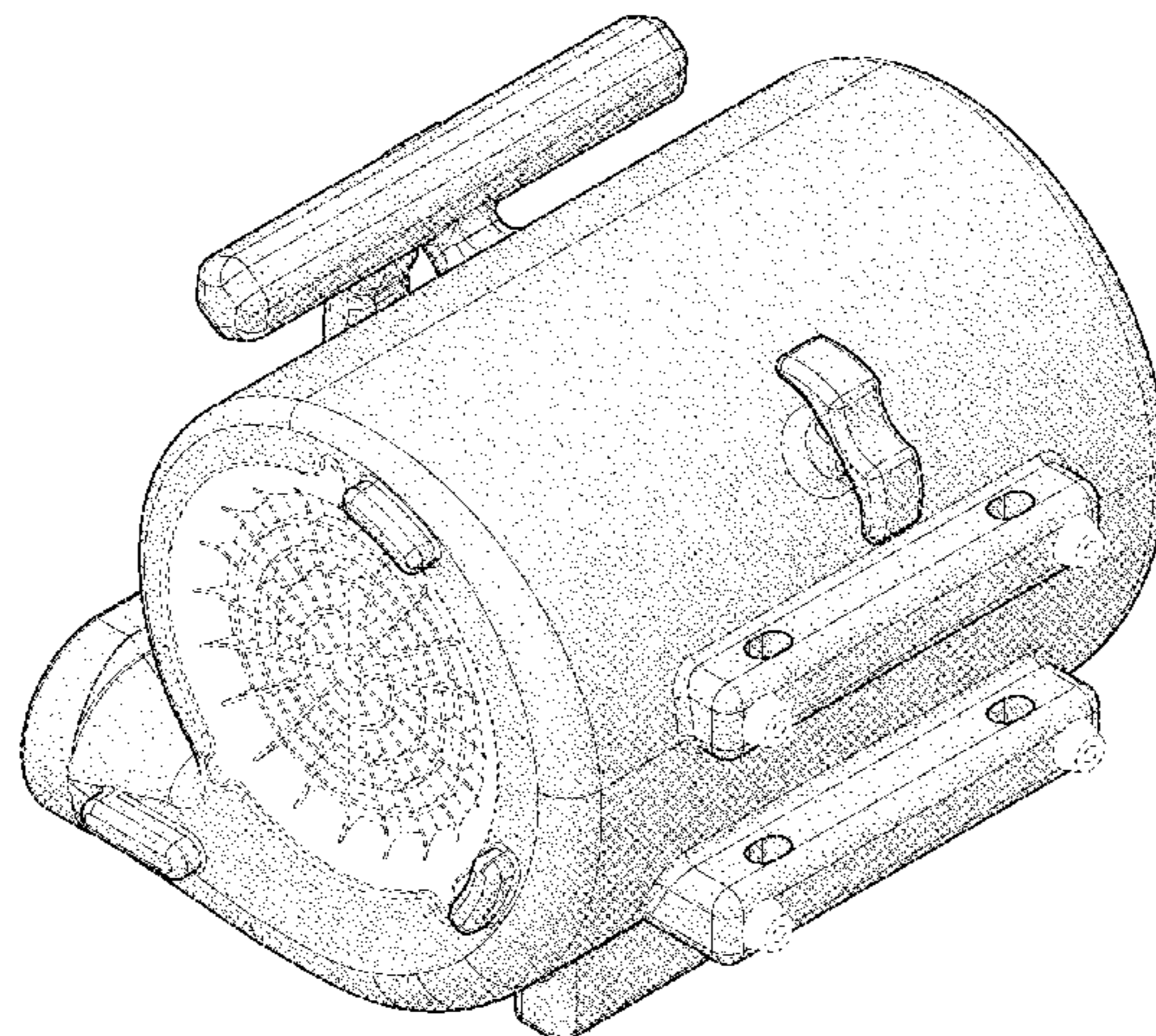
FIG. 8 is a back planar view of the floor blower housing, showing my new design.

The broken lines showing the floor blower housing input screen in FIGS. 1-4 are included for the purpose of illustrating portions of the floor blower housing and forms to part of the claimed design.

The broken lines showing the floor blower housing output screen in FIGS. 2 and 7 are included for the purpose of illustrating portions of the floor blower housing and forms to part of the claimed design.

The broken lines showing the floor blower housing feet in FIGS. 1-8 are included for the purpose of illustrating portions of the floor blower housing and forms to part of the claimed design.

1 Claim, 8 Drawing Sheets



(56)

References Cited

U.S. PATENT DOCUMENTS

D482,772	S	*	11/2003	Dooley	D23/383
D484,966	S		1/2004	Yamamoto		
D512,500	S	*	12/2005	Wilson, Jr.	D23/383
D517,677	S	*	3/2006	Bartholmey	D23/383
D534,269	S		12/2006	Liang		
D537,517	S		2/2007	Hancock		
D566,823	S	*	4/2008	Lewis	D23/383
D571,449	S		6/2008	Lin		
D585,972	S		2/2009	Allen		
D594,962	S	*	6/2009	Lewis	D23/383
D596,283	S	*	7/2009	Martinez	D23/383
7,785,064	B2	*	8/2010	Bartholmey	F04D 25/084 415/1
D693,916	S		11/2013	Meier et al.		
D698,433	S	*	1/2014	Tomasiak	D23/383
D703,303	S		4/2014	Ruck		
D704,908	S	*	5/2014	Cui	D32/15
2009/0238687	A1	*	9/2009	Lin	F04D 25/084 415/214.1

* cited by examiner

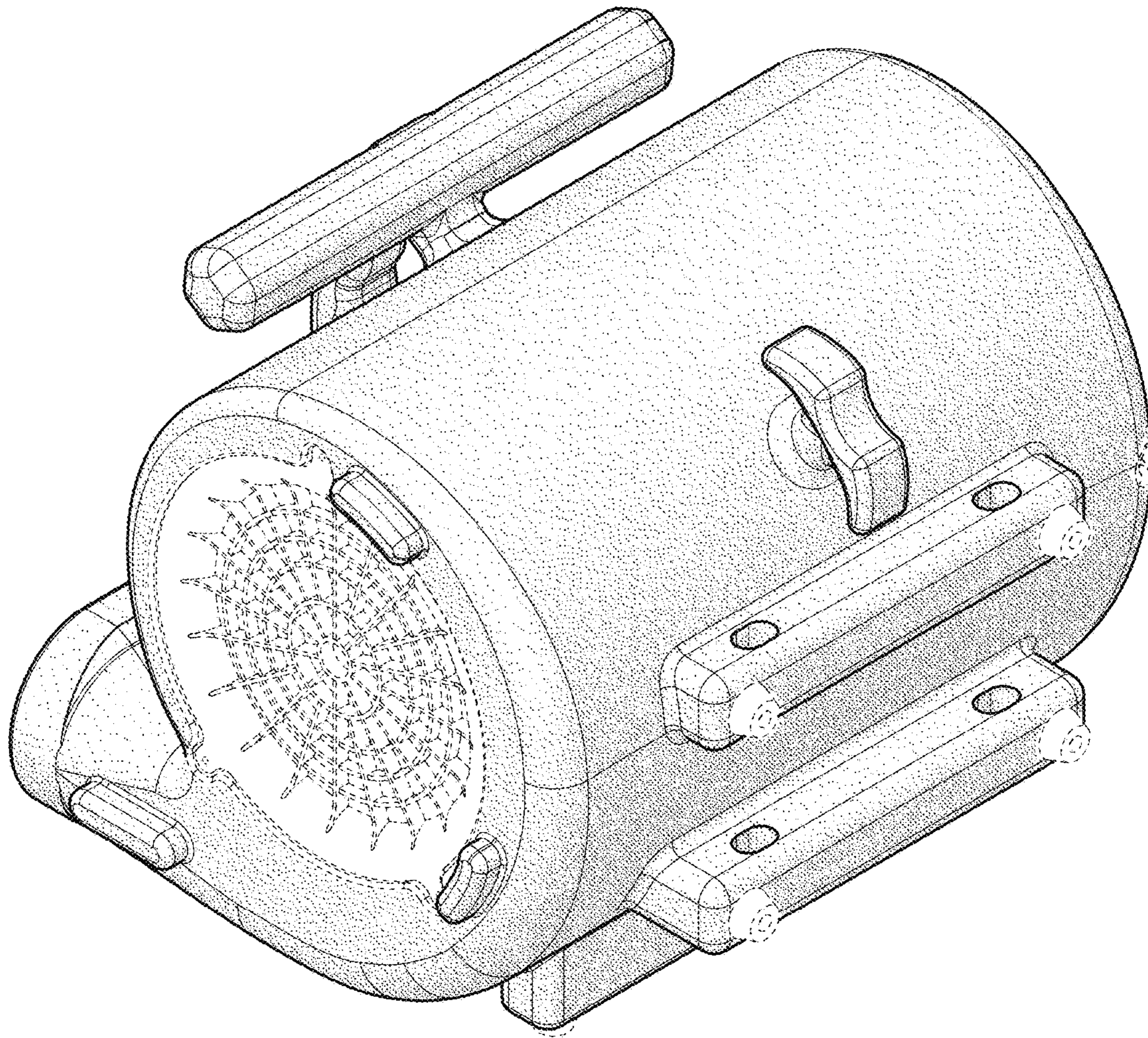


FIG. 1

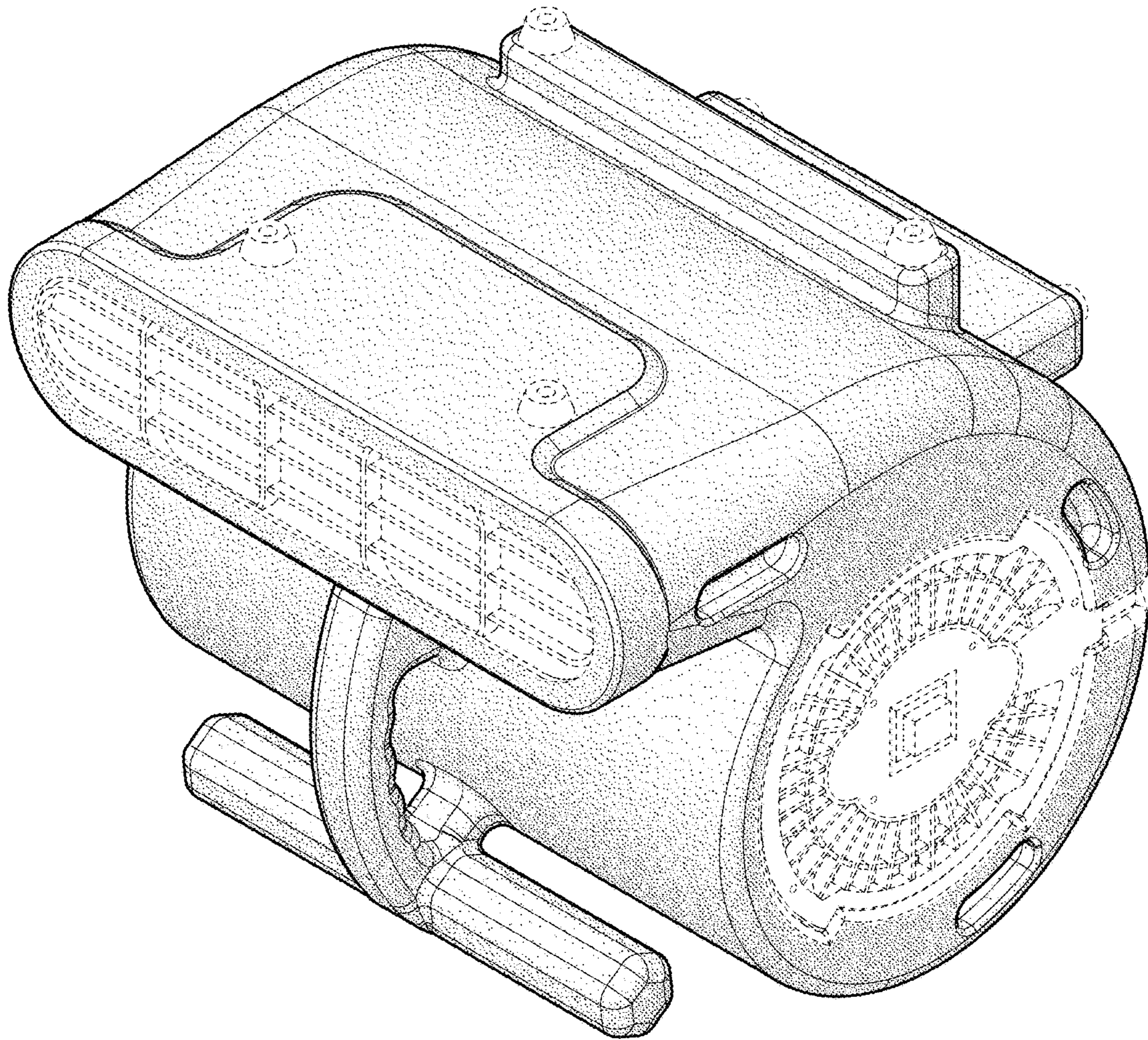


FIG. 2

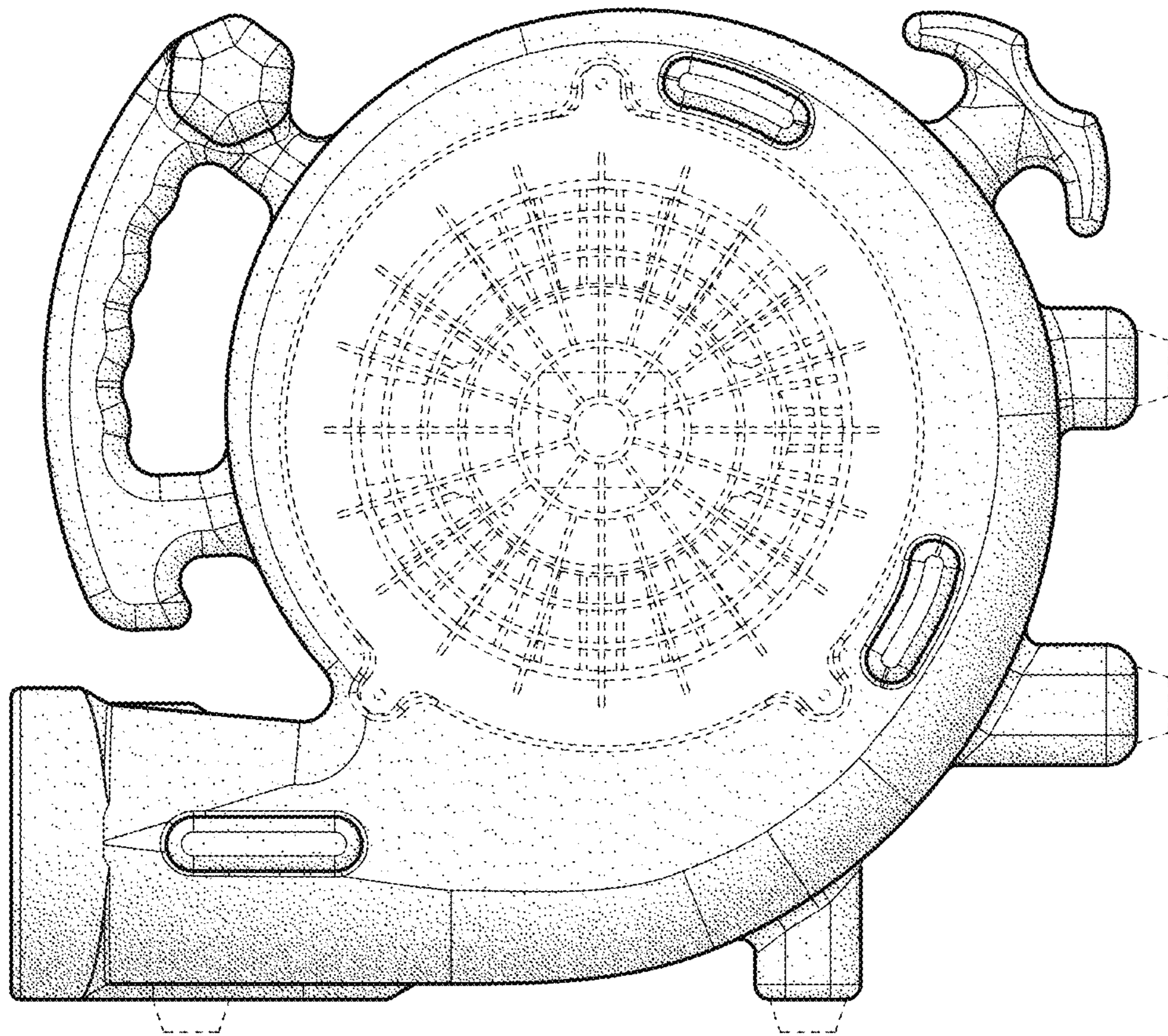


FIG. 3

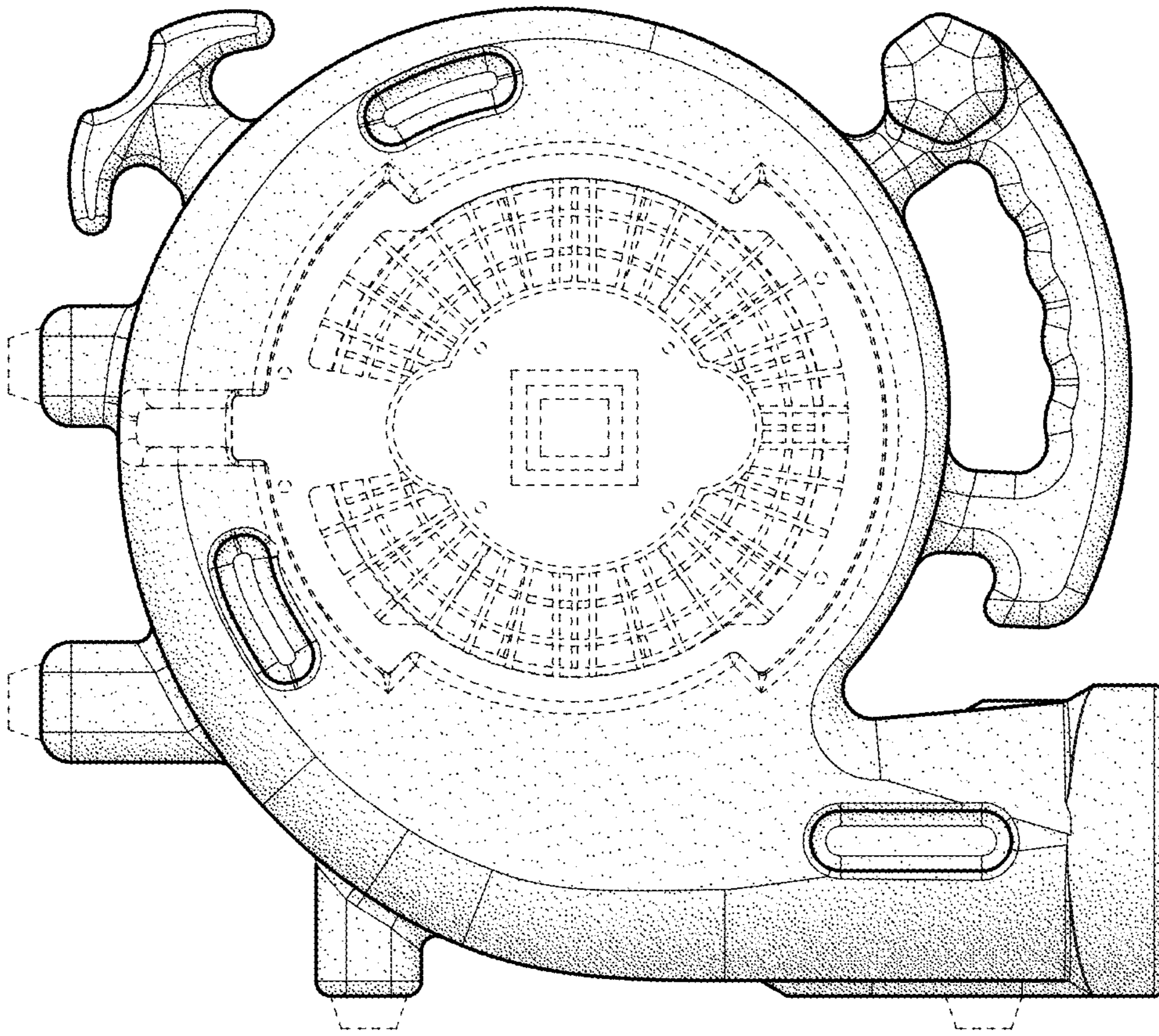


FIG. 4

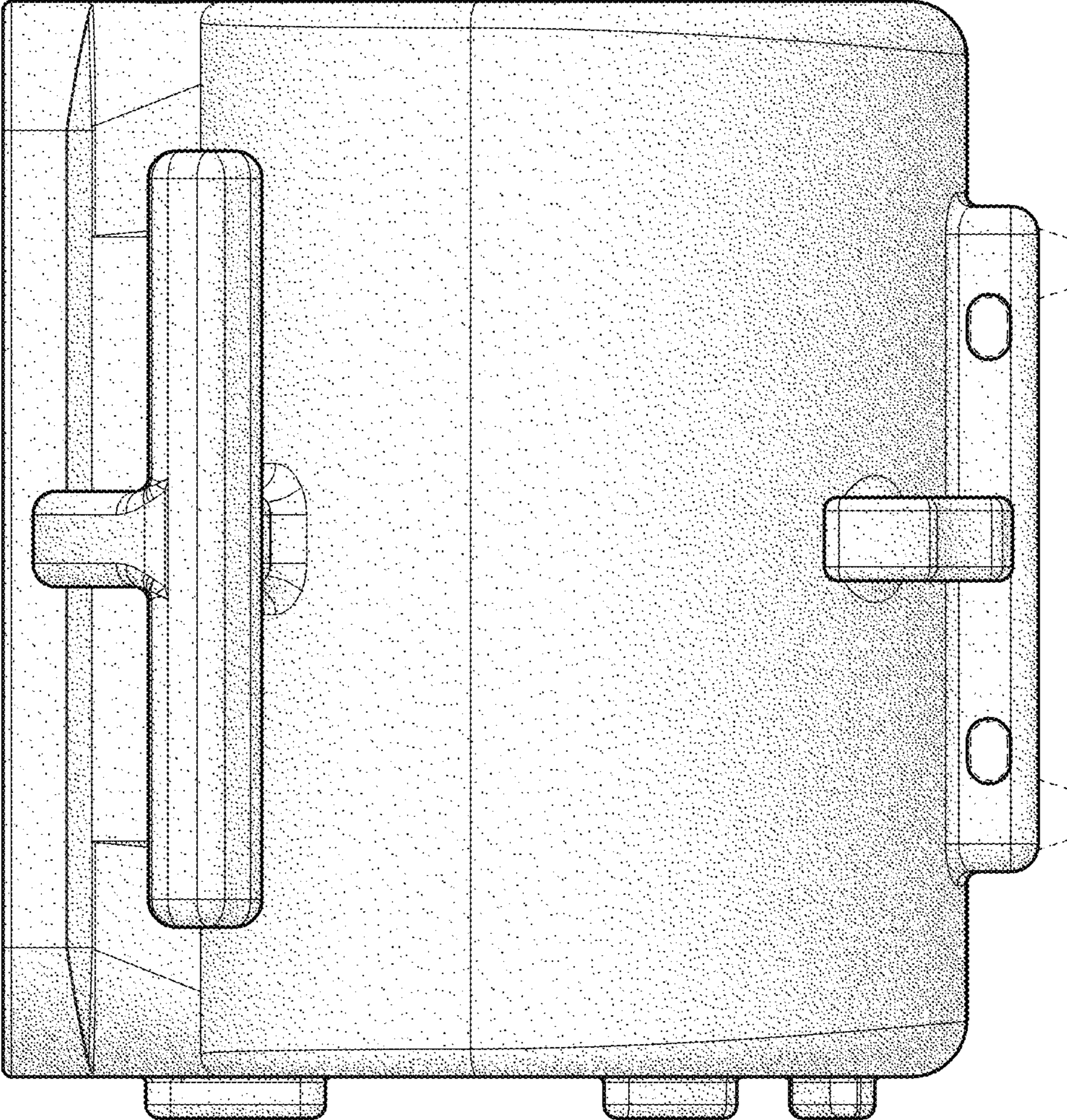


FIG. 5

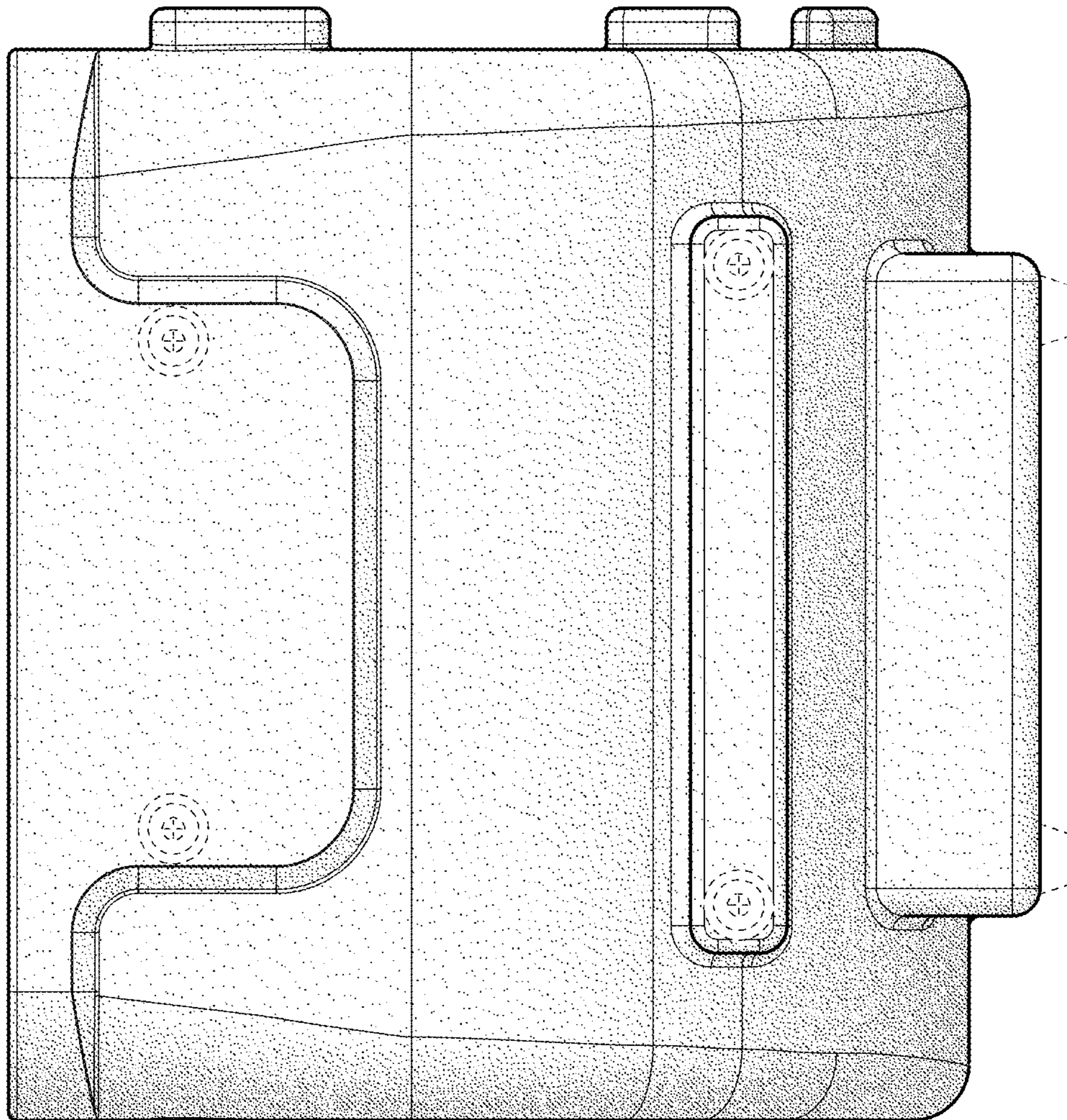


FIG. 6

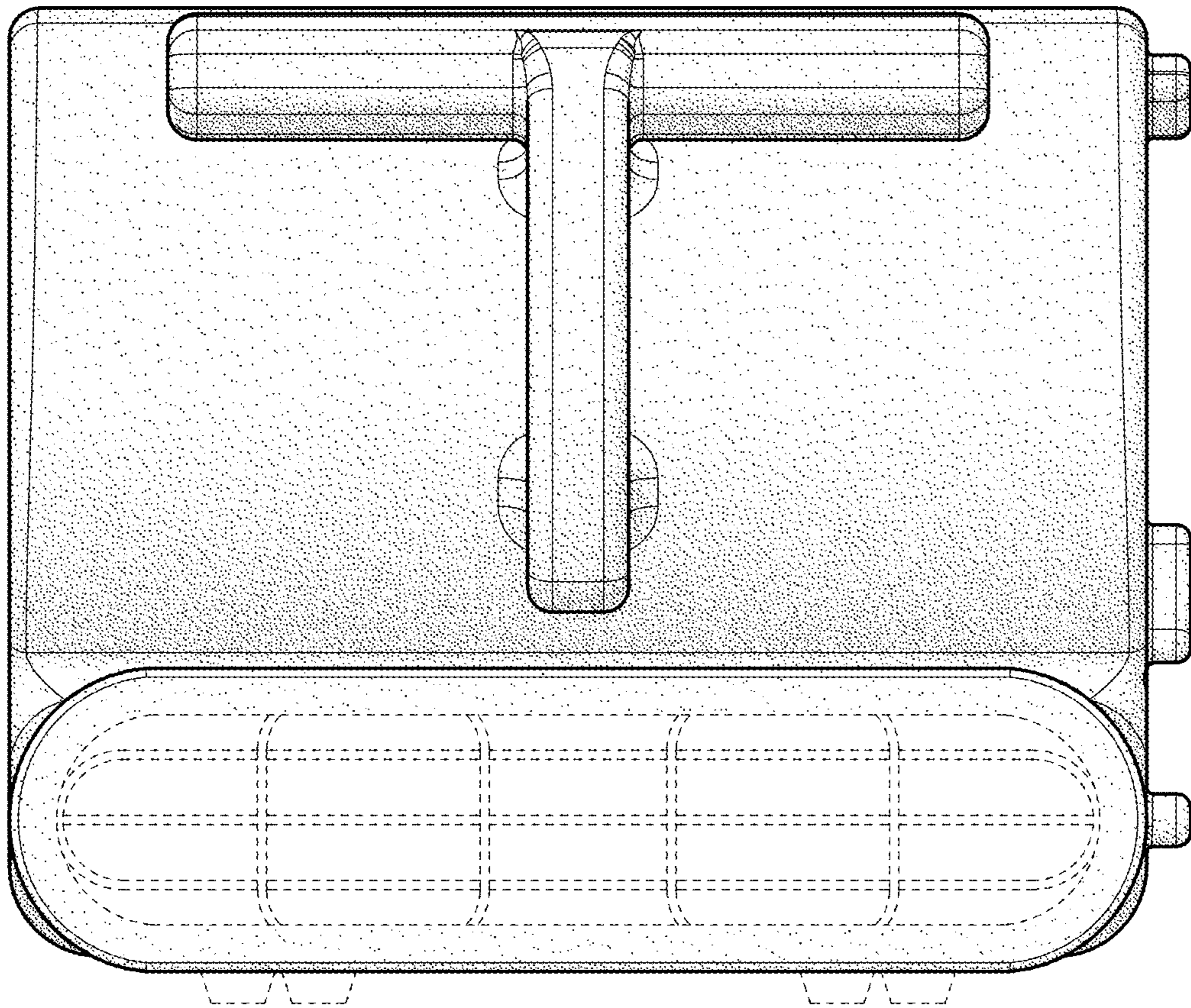


FIG. 7

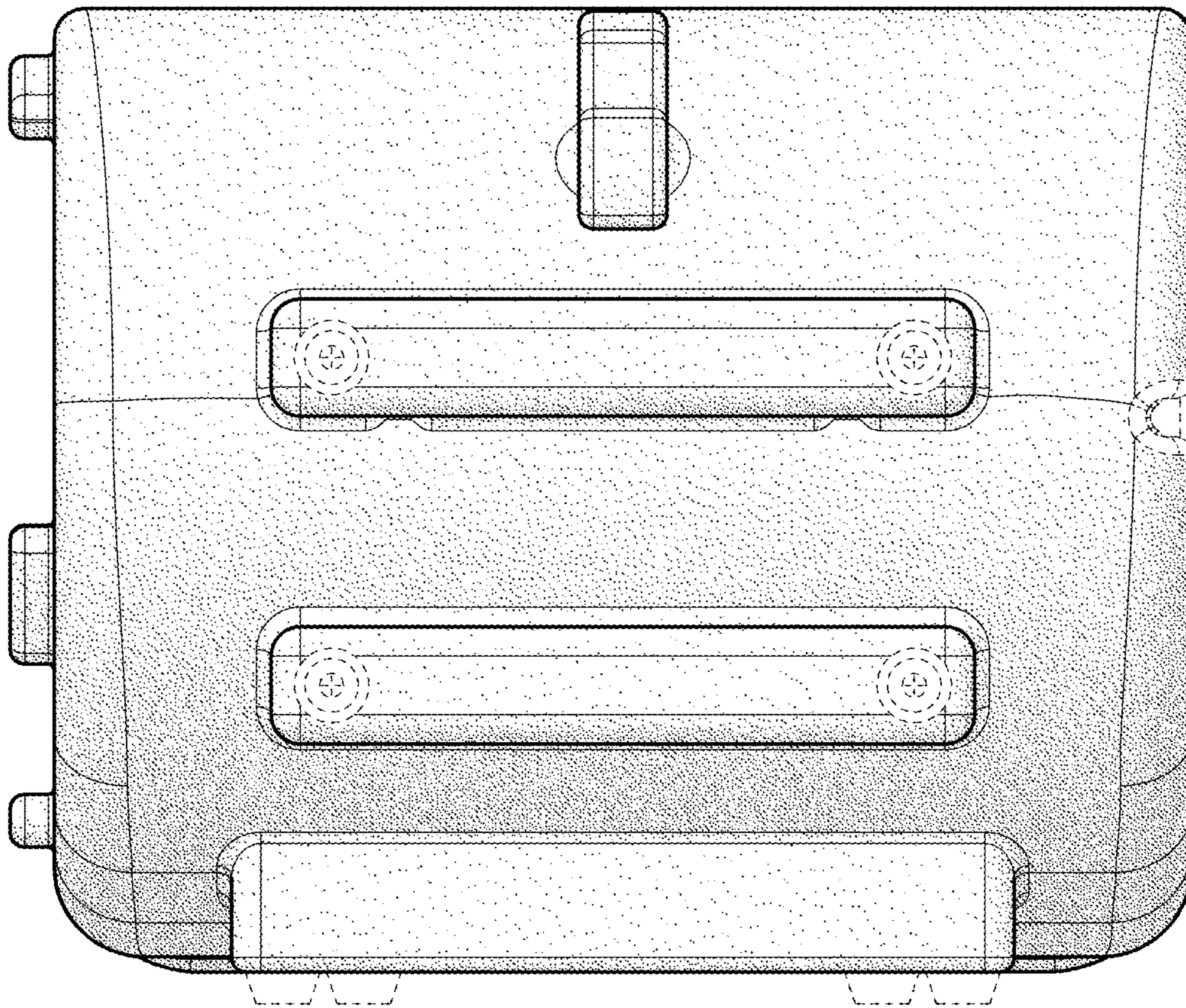


FIG. 8