



US00D800291S

(12) **United States Design Patent**
Wang

(10) **Patent No.:** **US D800,291 S**
(45) **Date of Patent:** **** Oct. 17, 2017**

- (54) **CEILING FAN**
- (71) Applicant: **AIR COOL INDUSTRIAL CO., LTD.**, Taichung (TW)
- (72) Inventor: **Cliff Wang**, Taichung (TW)
- (73) Assignee: **AIR COOL INDUSTRIAL CO., LTD.**, Taichung (TW)
- (**) Term: **15 Years**
- (21) Appl. No.: **29/578,836**
- (22) Filed: **Sep. 25, 2016**
- (51) **LOC (10) Cl.** **23-04**
- (52) **U.S. Cl.**
USPC **D23/377; D23/385**
- (58) **Field of Classification Search**
USPC D23/370, 377, 379, 381, 382, 385, 411,
D23/413, 414, 332, 328; D26/59
CPC F04D 25/08; F04D 29/388; F04D 29/34;
F04D 25/088; H02K 1/187
See application file for complete search history.

(56) **References Cited**

U.S. PATENT DOCUMENTS

D483,474 S	*	12/2003	Young	D23/413
D484,964 S	*	1/2004	Young	D23/377
D535,011 S	*	1/2007	Gajewski	D23/377
D536,083 S	*	1/2007	Gajewski	D23/377
D612,476 S	*	3/2010	Noble	D23/377
D614,757 S	*	4/2010	Noble	D23/377

D671,203 S	*	11/2012	Wang	D23/377
D690,409 S	*	9/2013	Noble	D23/377
D715,418 S	*	10/2014	Schulzman	D23/377
D715,419 S	*	10/2014	Schulzman	D23/377
D721,429 S	*	1/2015	Busta	D23/377
D741,988 S	*	10/2015	Pan	D23/377
D750,213 S	*	2/2016	Schulzman	D23/385
D770,027 S	*	10/2016	Noble	D23/385
D785,156 S	*	4/2017	Wang	D23/377
2010/0098545 A1	*	4/2010	Liu	F03D 3/062 416/204 R

* cited by examiner

Primary Examiner — Janice Hallmark

(74) *Attorney, Agent, or Firm* — Pai Patent & Trademark Law Firm; Chao-Chang David Pai

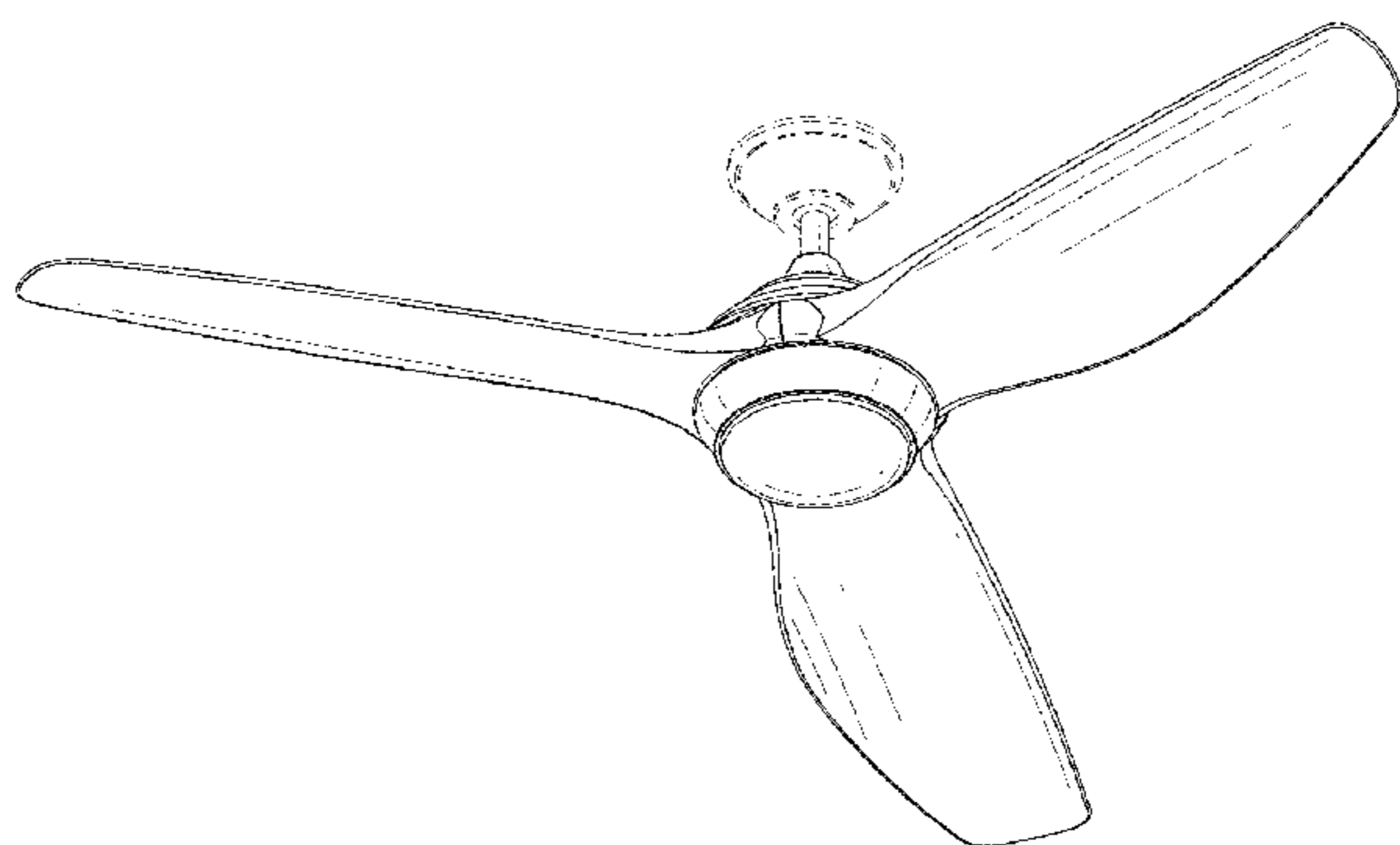
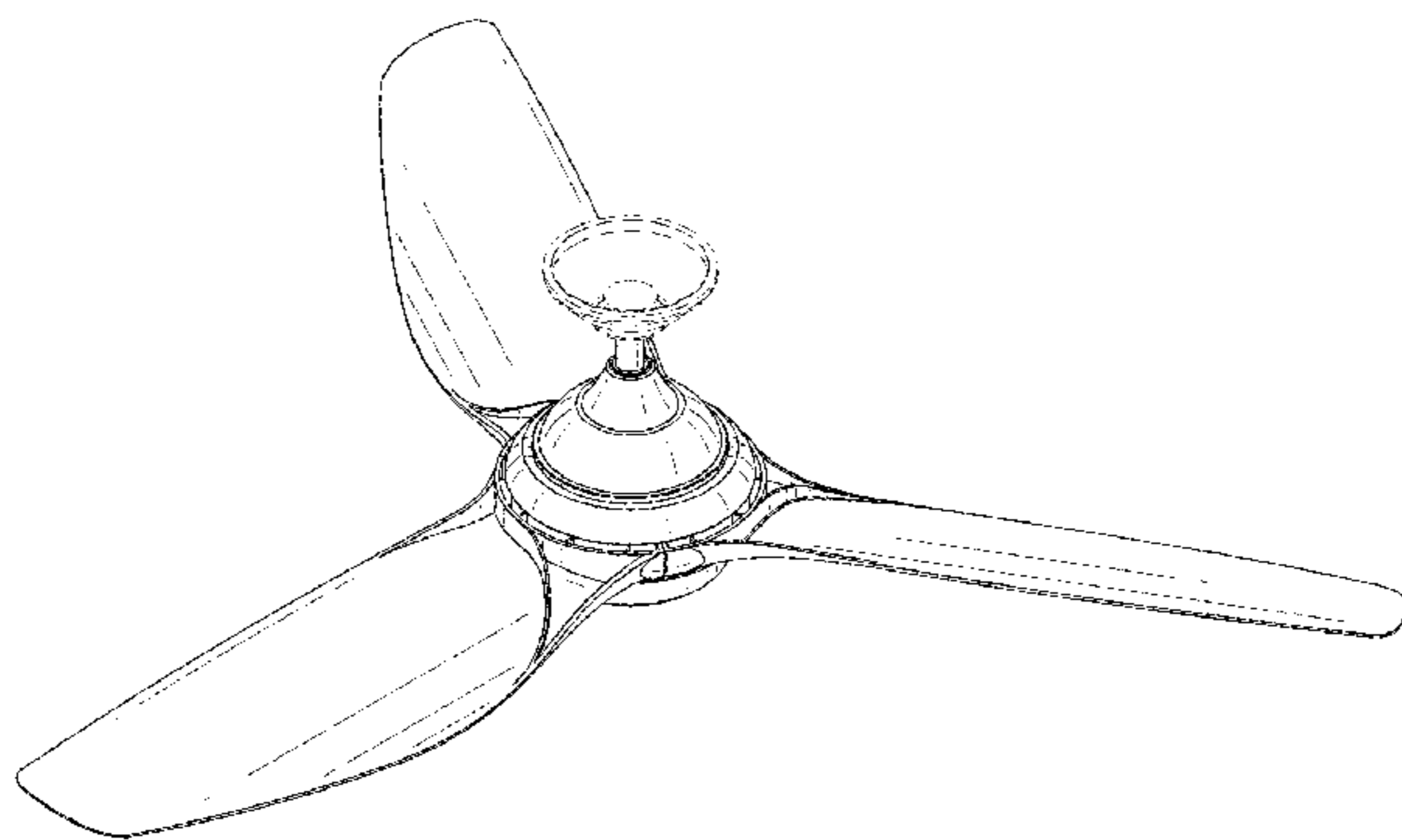
(57) **CLAIM**

The ornamental design for a ceiling fan, as shown and described.

DESCRIPTION

FIG. 1 is a front top perspective view of a ceiling fan showing my new design;
 FIG. 2 is a front elevational view thereof;
 FIG. 3 is a rear elevational view thereof;
 FIG. 4 is a left side elevational view thereof;
 FIG. 5 is a right side elevational view thereof;
 FIG. 6 is a top plan view thereof;
 FIG. 7 is a bottom plan view thereof; and,
 FIG. 8 is a front bottom perspective view thereof.
 The broken lines are for the purpose of illustrating environmental structure and form no part of the claimed design.

1 Claim, 6 Drawing Sheets



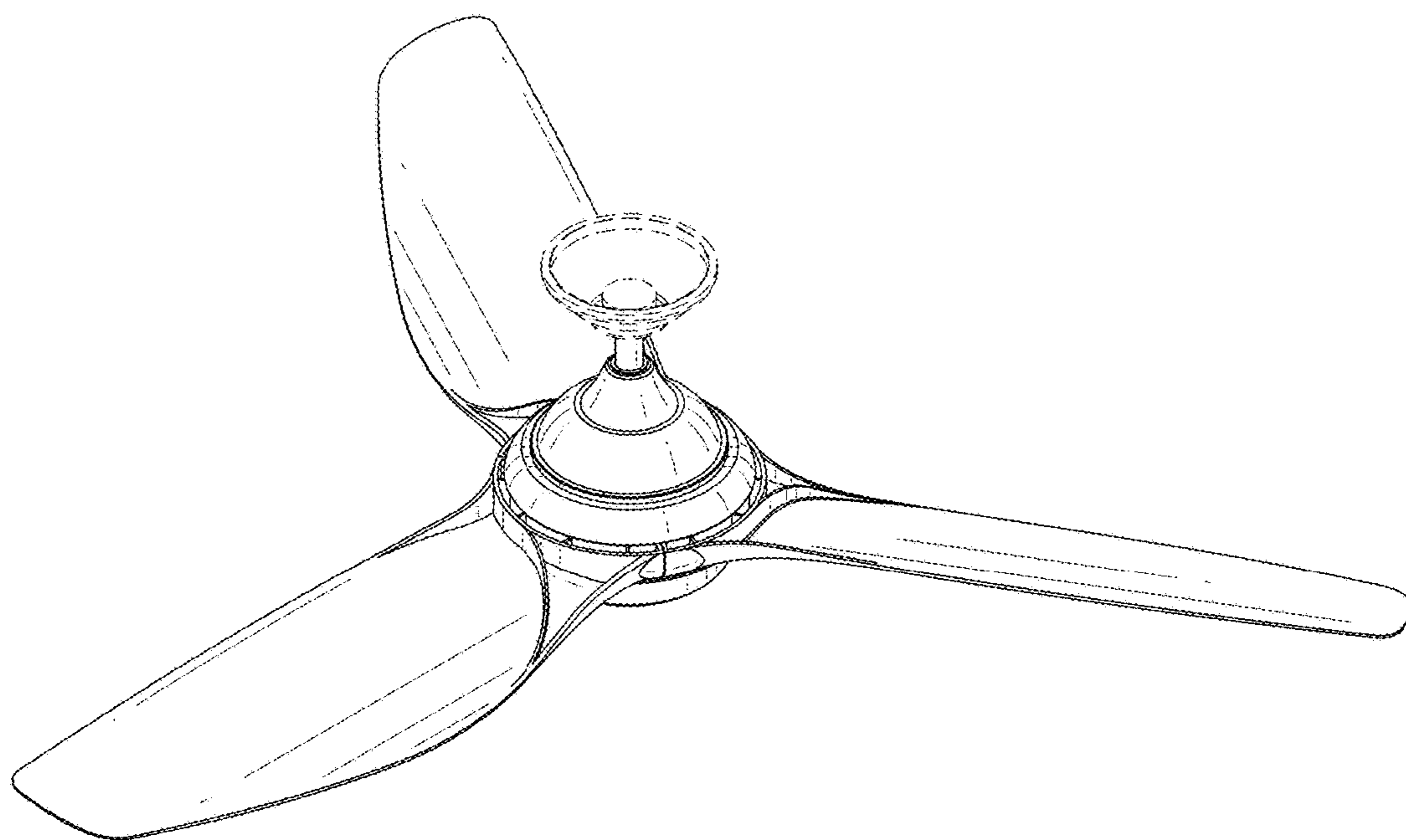


FIG. 1

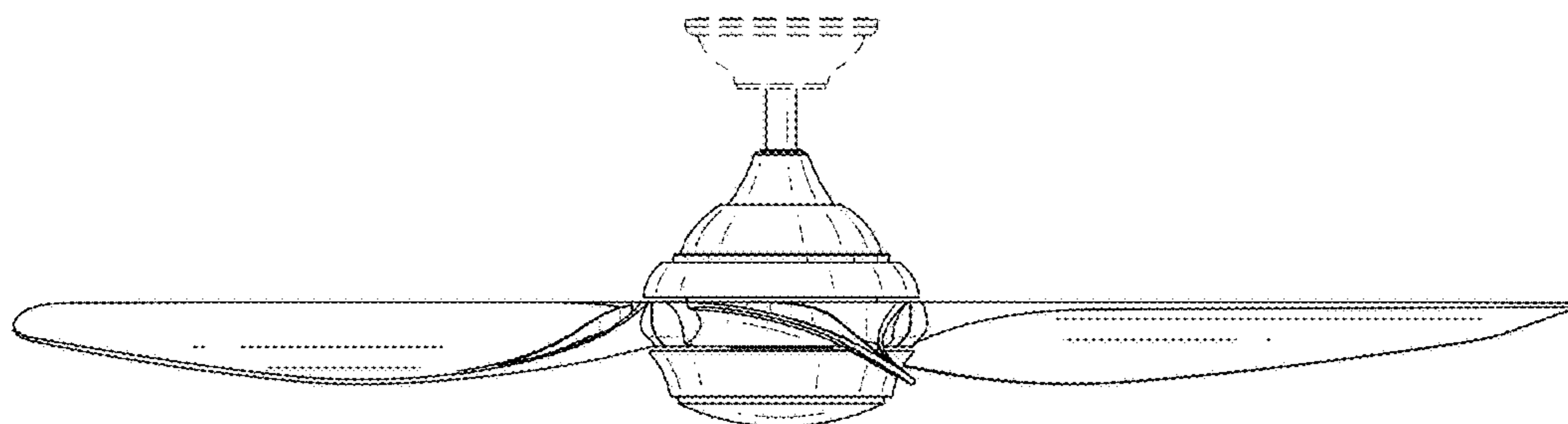


FIG. 2

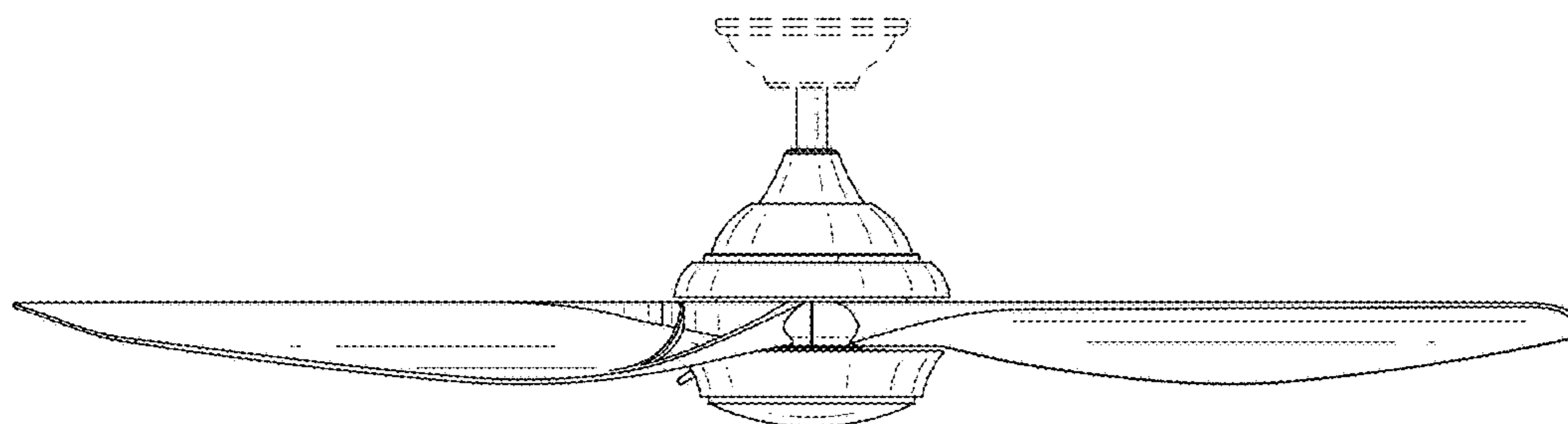


FIG. 3

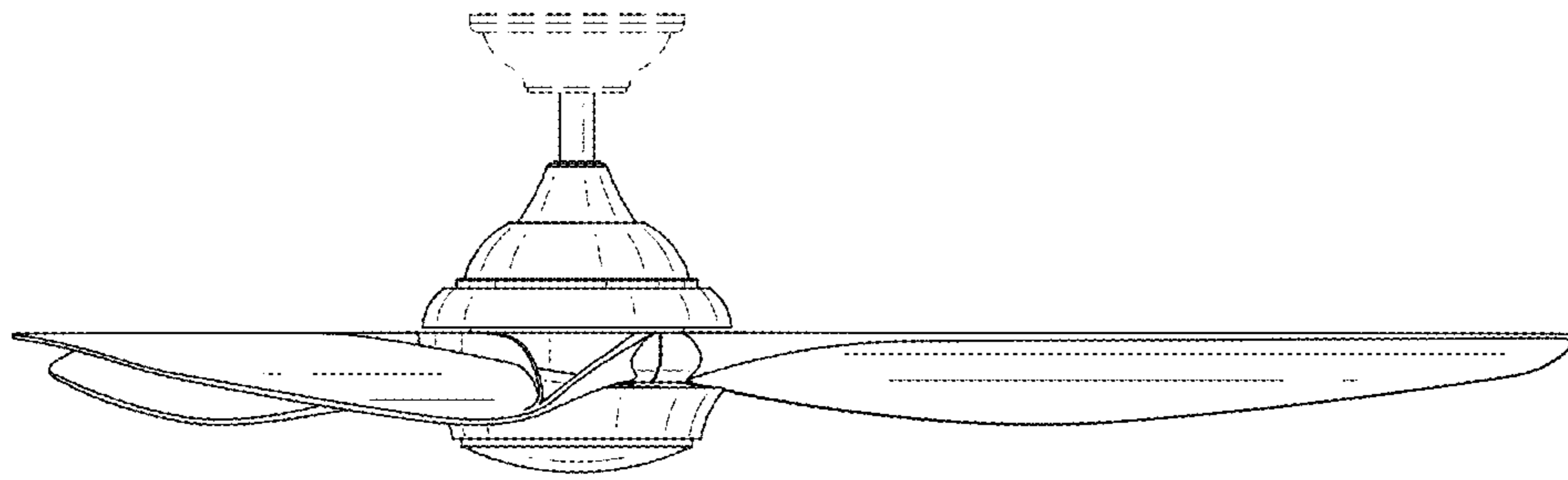


FIG. 4

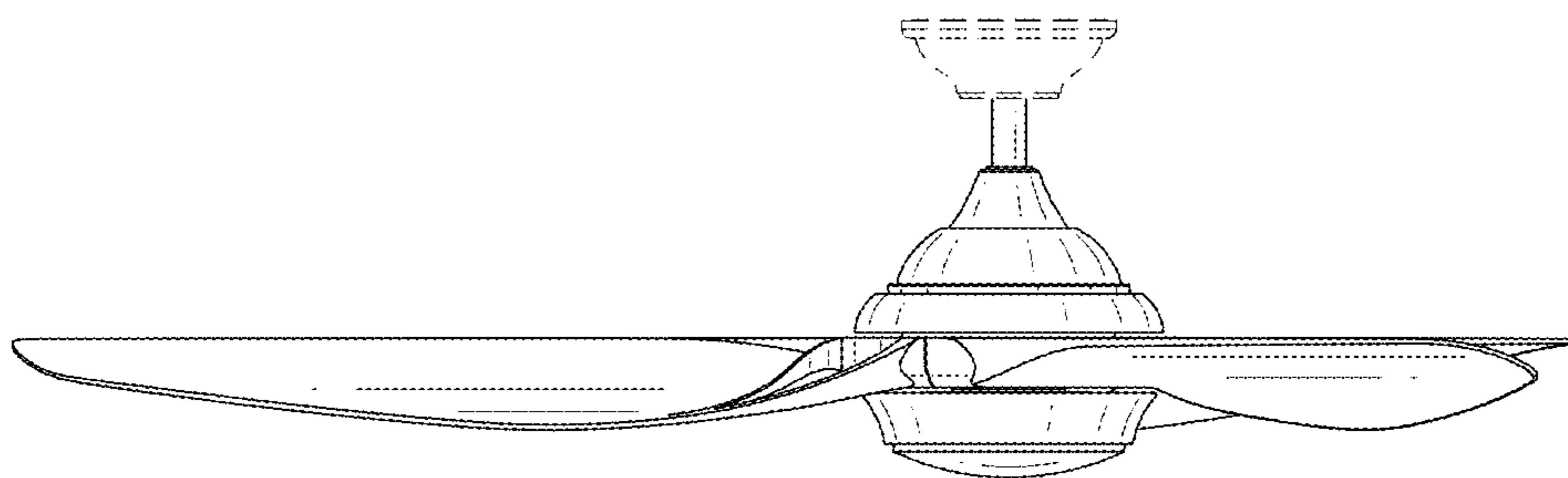


FIG. 5

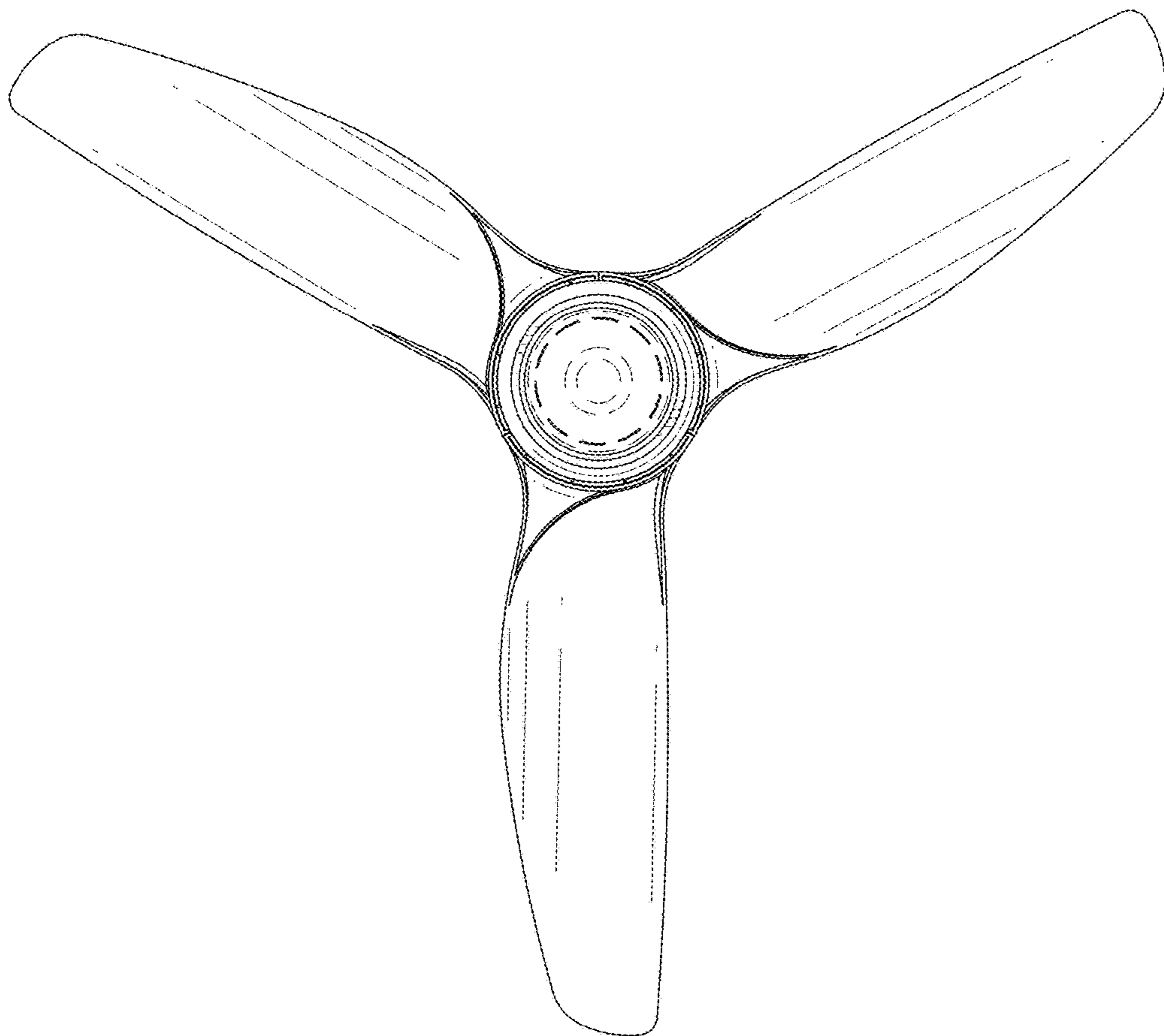


FIG. 6

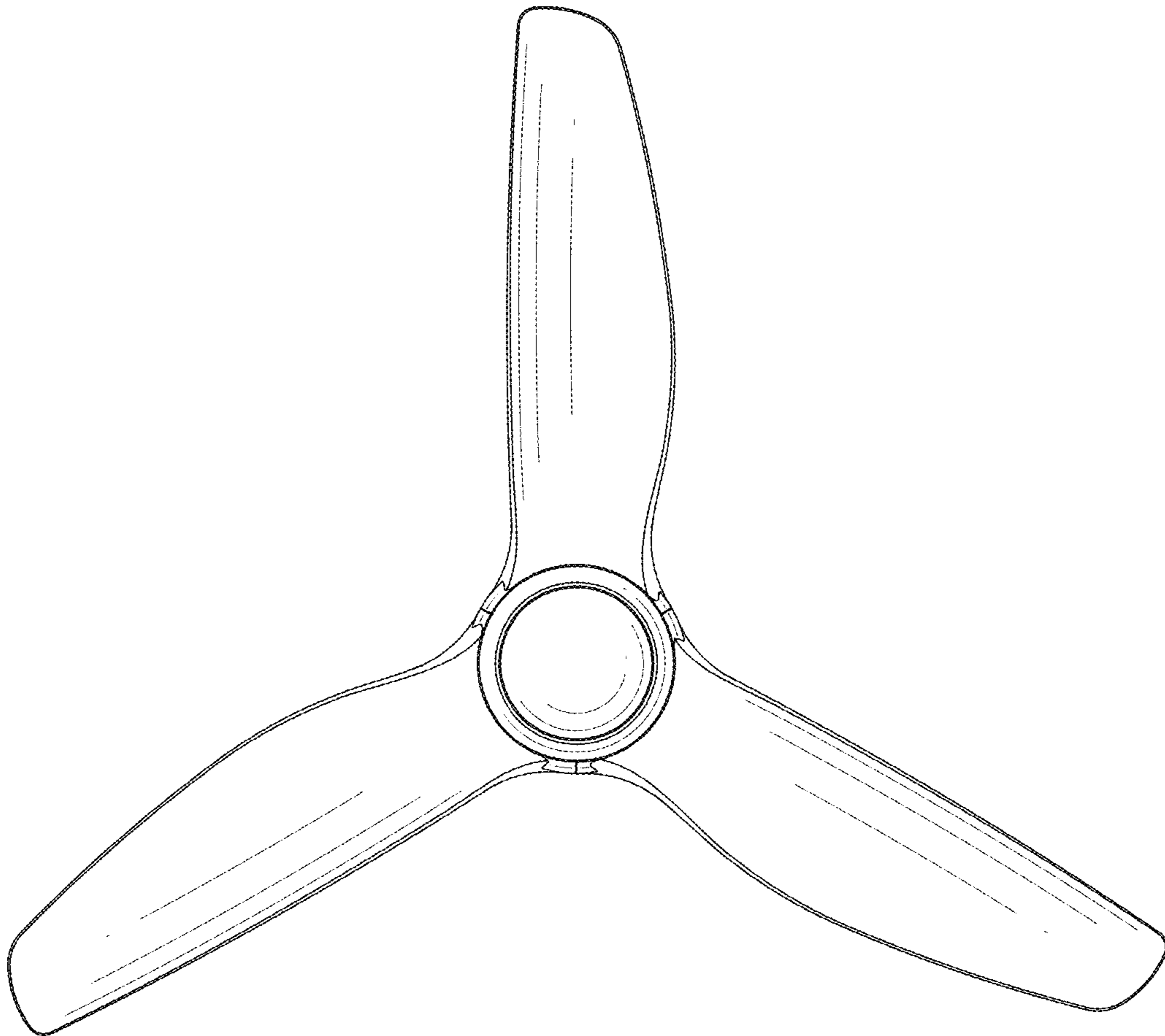


FIG. 7

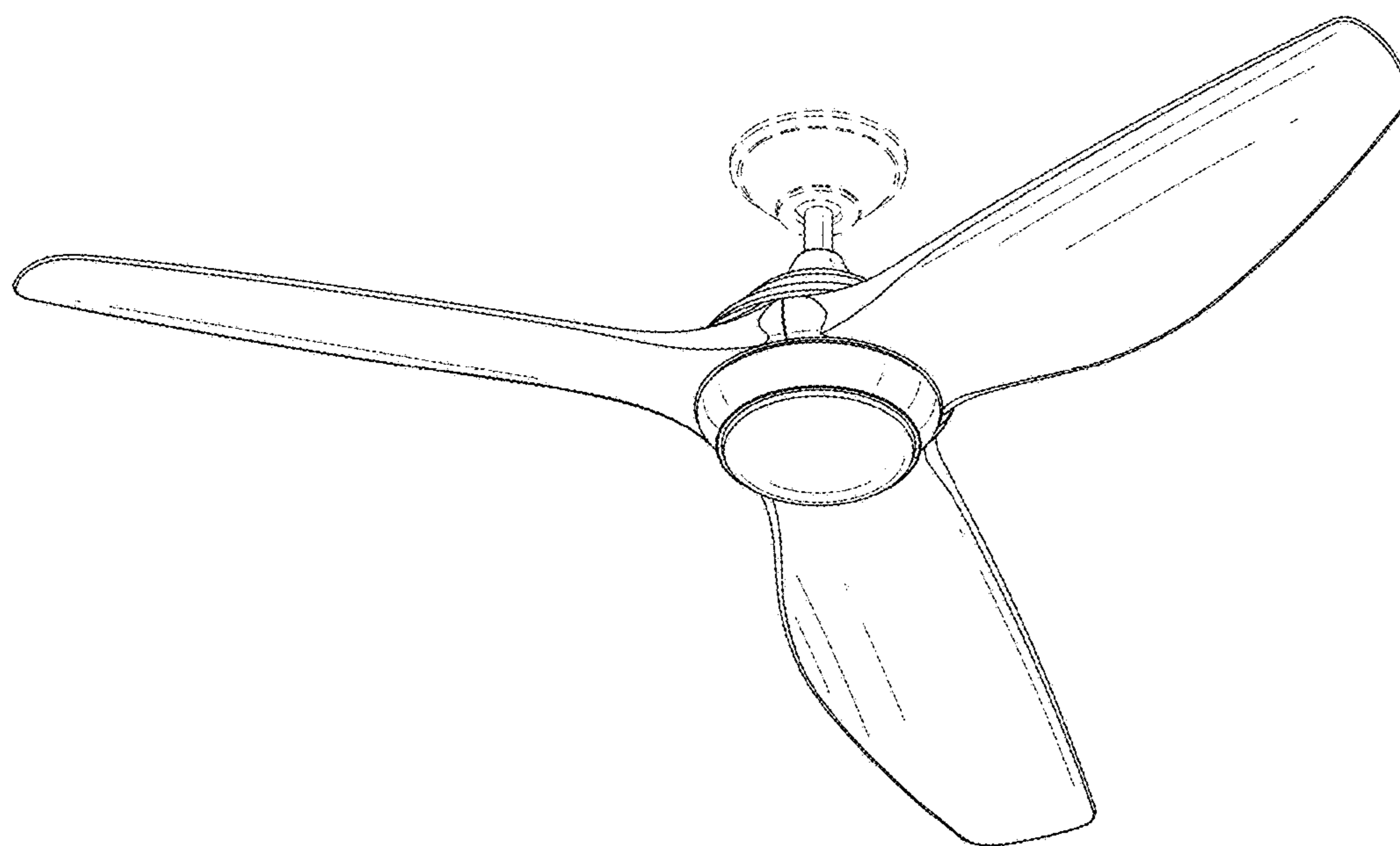


FIG. 8