



US00D800290S

(12) **United States Design Patent** (10) **Patent No.:** **US D800,290 S**
Searle (45) **Date of Patent:** **** Oct. 17, 2017**

(54) **CEILING FAN**
(71) Applicant: **AIR COOL INDUSTRIAL CO., LTD.**, Taichung (TW)
(72) Inventor: **Scott Searle**, Maui, HI (US)
(73) Assignee: **AIR COOL INDUSTRIAL CO., LTD.**, Taichung (TW)
(**) Term: **15 Years**
(21) Appl. No.: **29/578,815**
(22) Filed: **Sep. 23, 2016**
(51) **LOC (10) Cl.** **23-04**
(52) **U.S. Cl.**
USPC **D23/377; D23/385**
(58) **Field of Classification Search**
USPC D23/370, 377, 379, 381, 382, 385, 411,
D23/413, 414, 332, 328; D26/59
CPC F04D 25/08; F04D 29/388; F04D 29/34;
F04D 25/088; H02K 1/187
See application file for complete search history.

D507,826 S * 7/2005 Young D23/377
D510,425 S * 10/2005 Young D23/377
D510,620 S * 10/2005 Young D23/377
D581,509 S * 11/2008 Marshall D23/377
D583,923 S * 12/2008 Bucher D23/377
D598,998 S * 8/2009 Flores D23/377
D708,314 S * 7/2014 Pan D23/377
D778,422 S * 2/2017 Gajewski D23/377

* cited by examiner

Primary Examiner — Janice Hallmark
(74) *Attorney, Agent, or Firm* — Pai Patent & Trademark Law Firm; Chao-Chang David Pai

(57) **CLAIM**

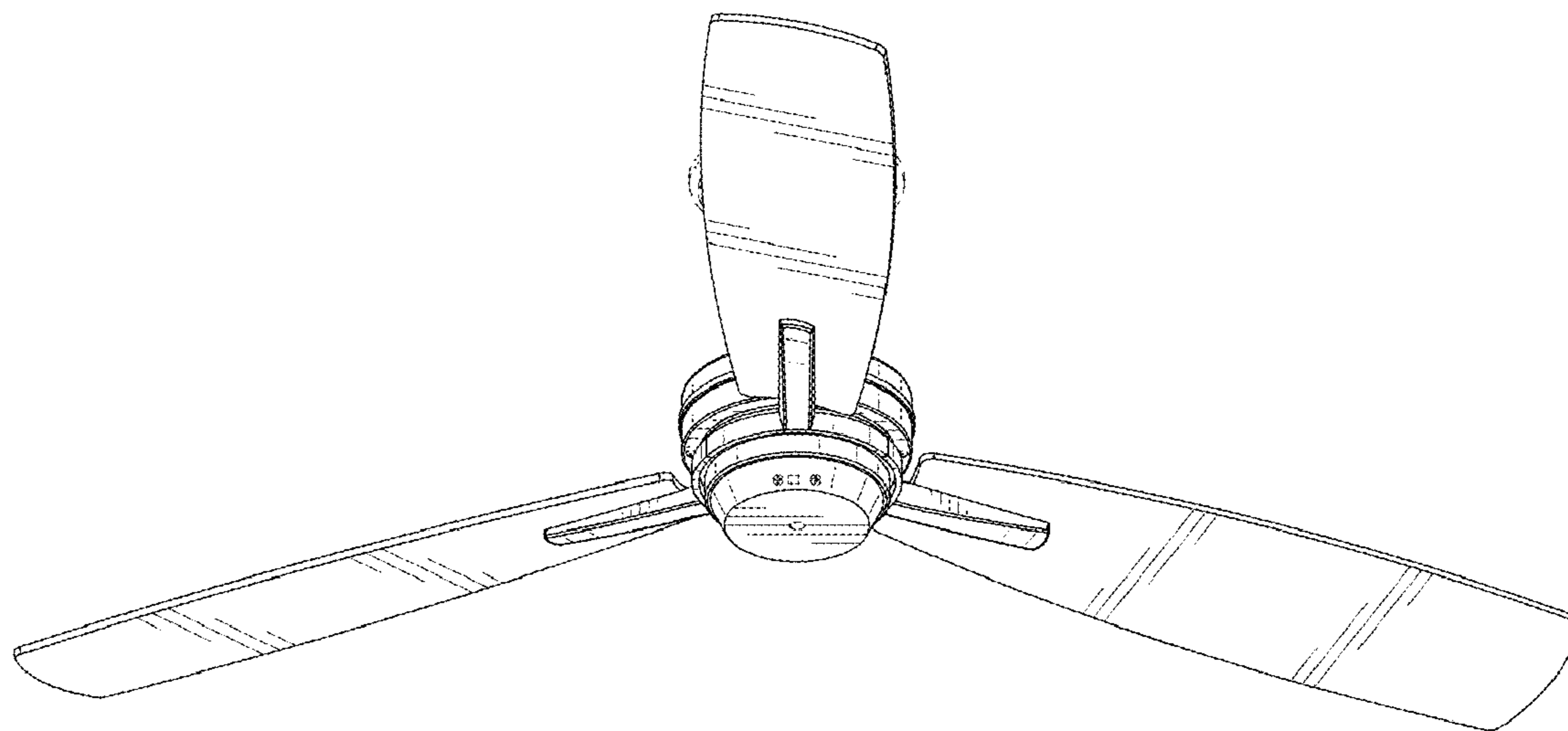
The ornamental design for a ceiling fan, as shown and described.

DESCRIPTION

FIG. 1 is a front top perspective view of a ceiling fan showing my new design;
FIG. 2 is a front elevational view thereof;
FIG. 3 is a rear elevational view thereof;
FIG. 4 is a left side elevational view thereof;
FIG. 5 is a right side elevational view thereof;
FIG. 6 is a top plan view thereof;
FIG. 7 is a bottom plan view thereof; and,
FIG. 8 is a front bottom perspective view thereof.
The broken lines are for the purpose of illustrating environmental structure and form no part of the claimed design.

1 Claim, 6 Drawing Sheets

(56) **References Cited**
U.S. PATENT DOCUMENTS
D312,688 S * 12/1990 Mason D23/377
D352,552 S * 11/1994 Oyama D23/377
6,367,942 B1 * 4/2002 Bauer F04D 25/088
362/234
D482,436 S * 11/2003 Young D23/377



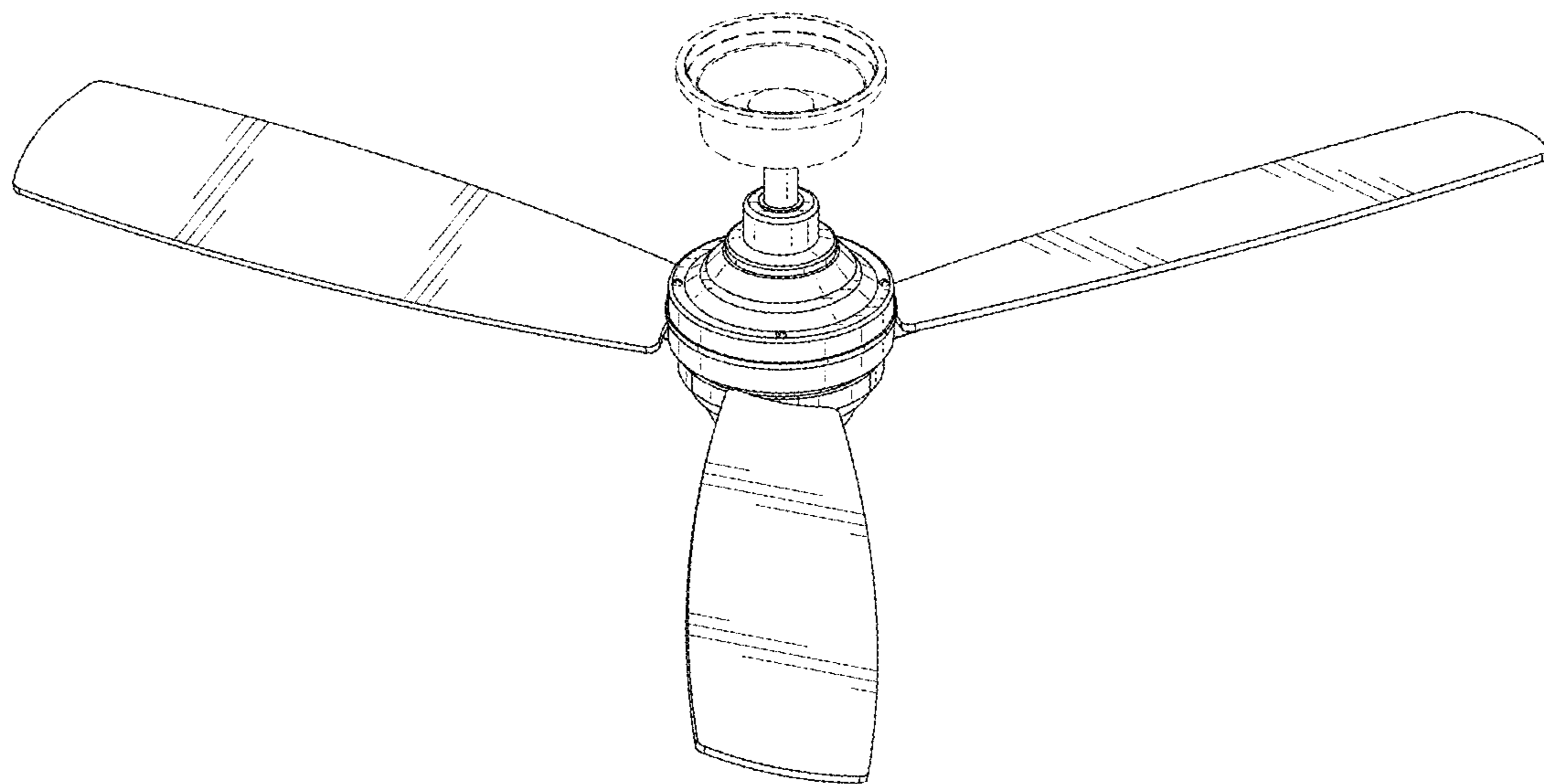


FIG. 1

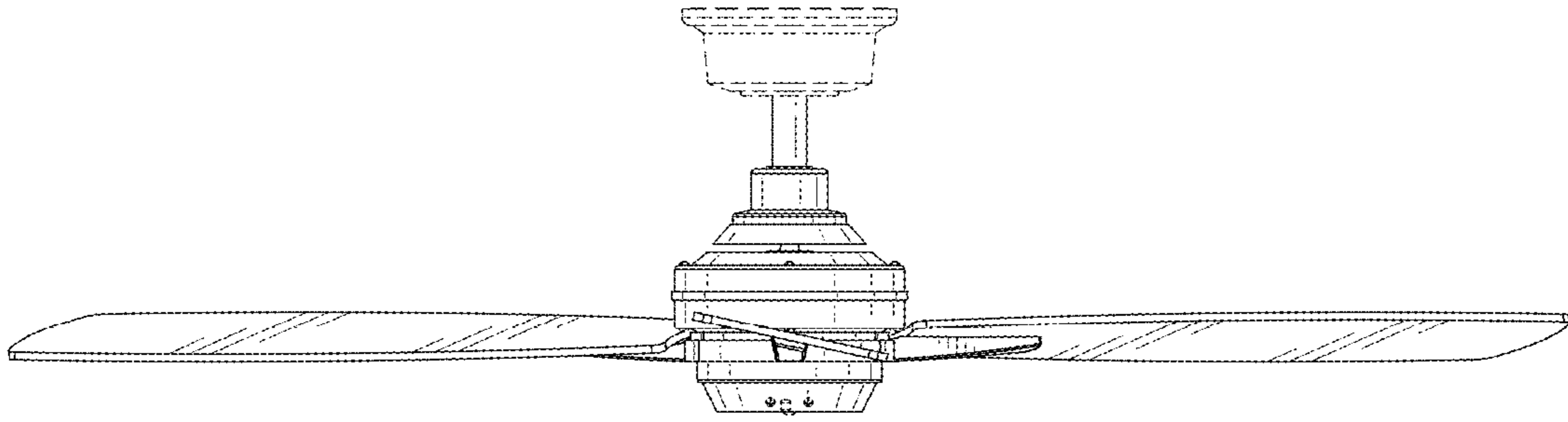


FIG. 2

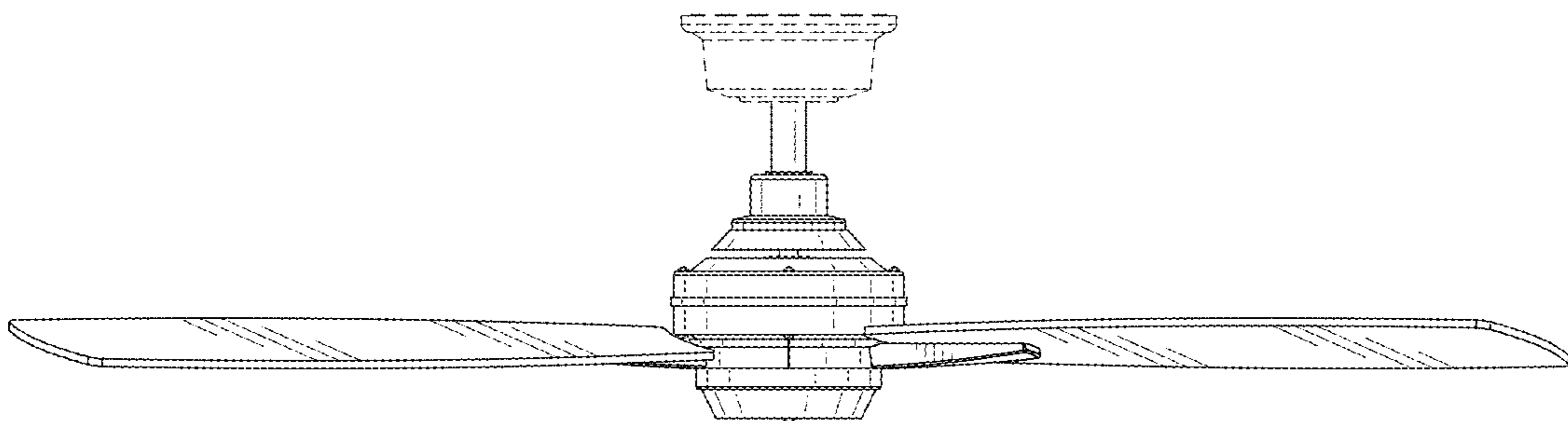


FIG. 3

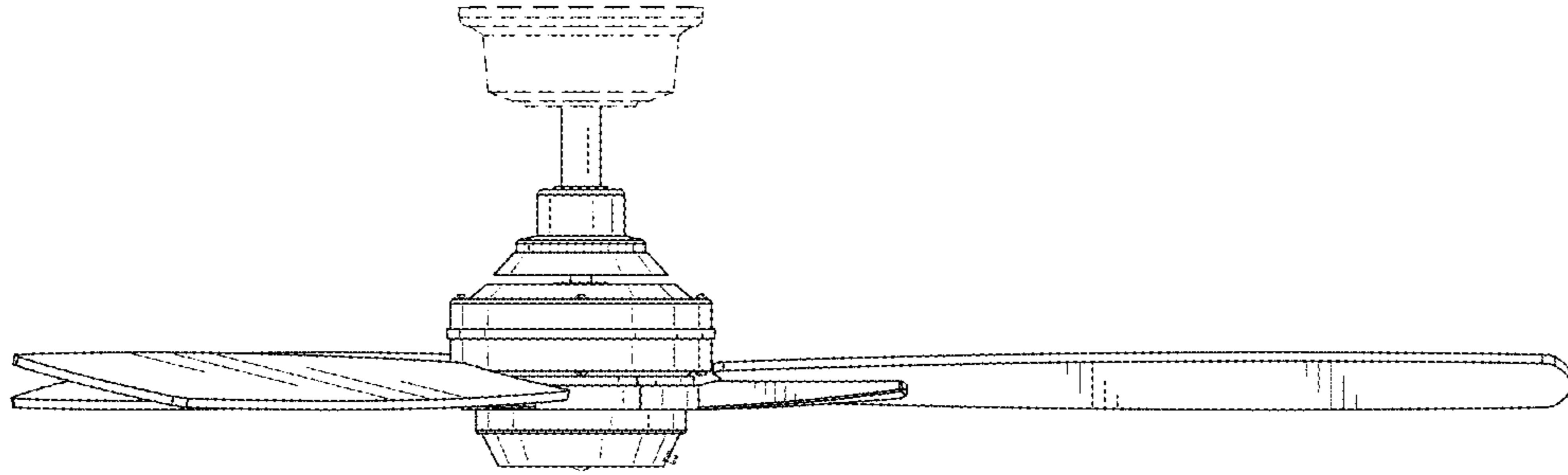


FIG. 4

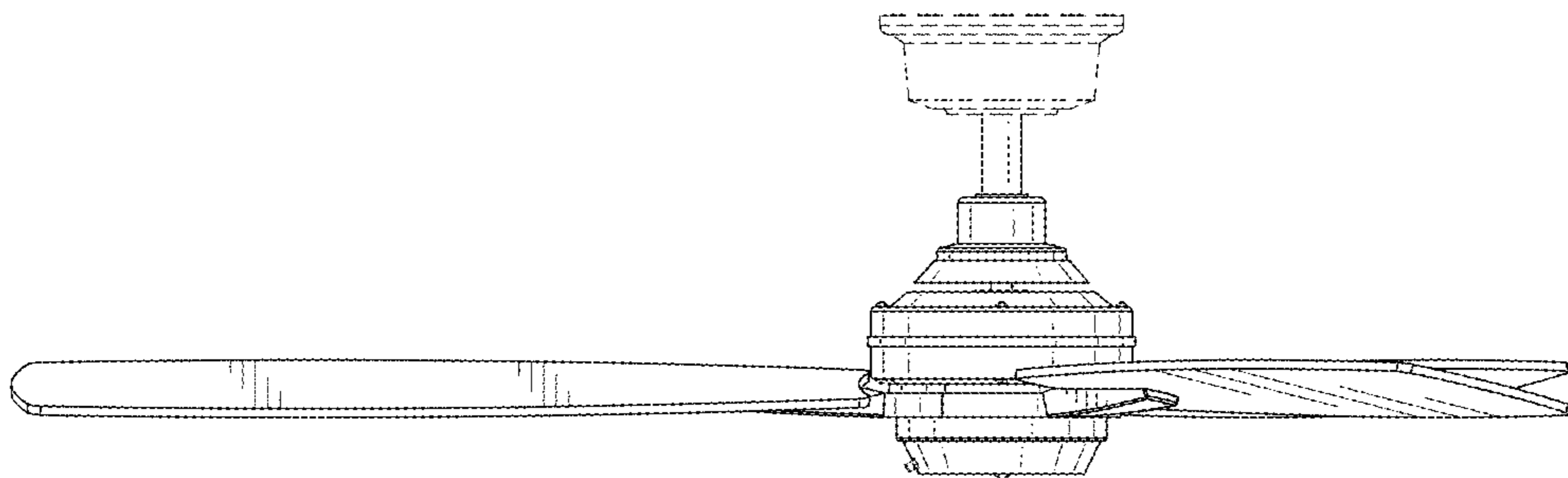


FIG. 5

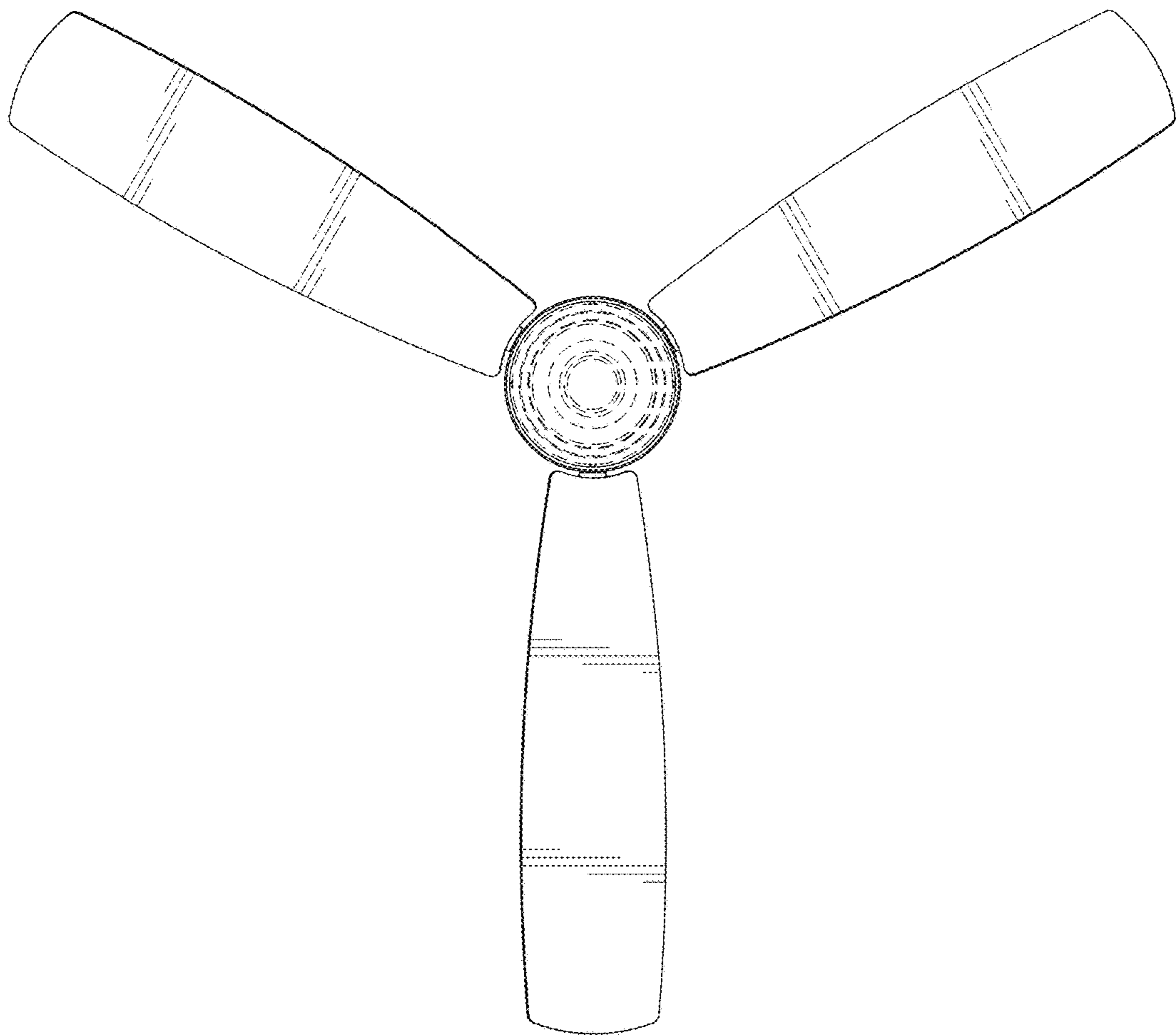


FIG. 6

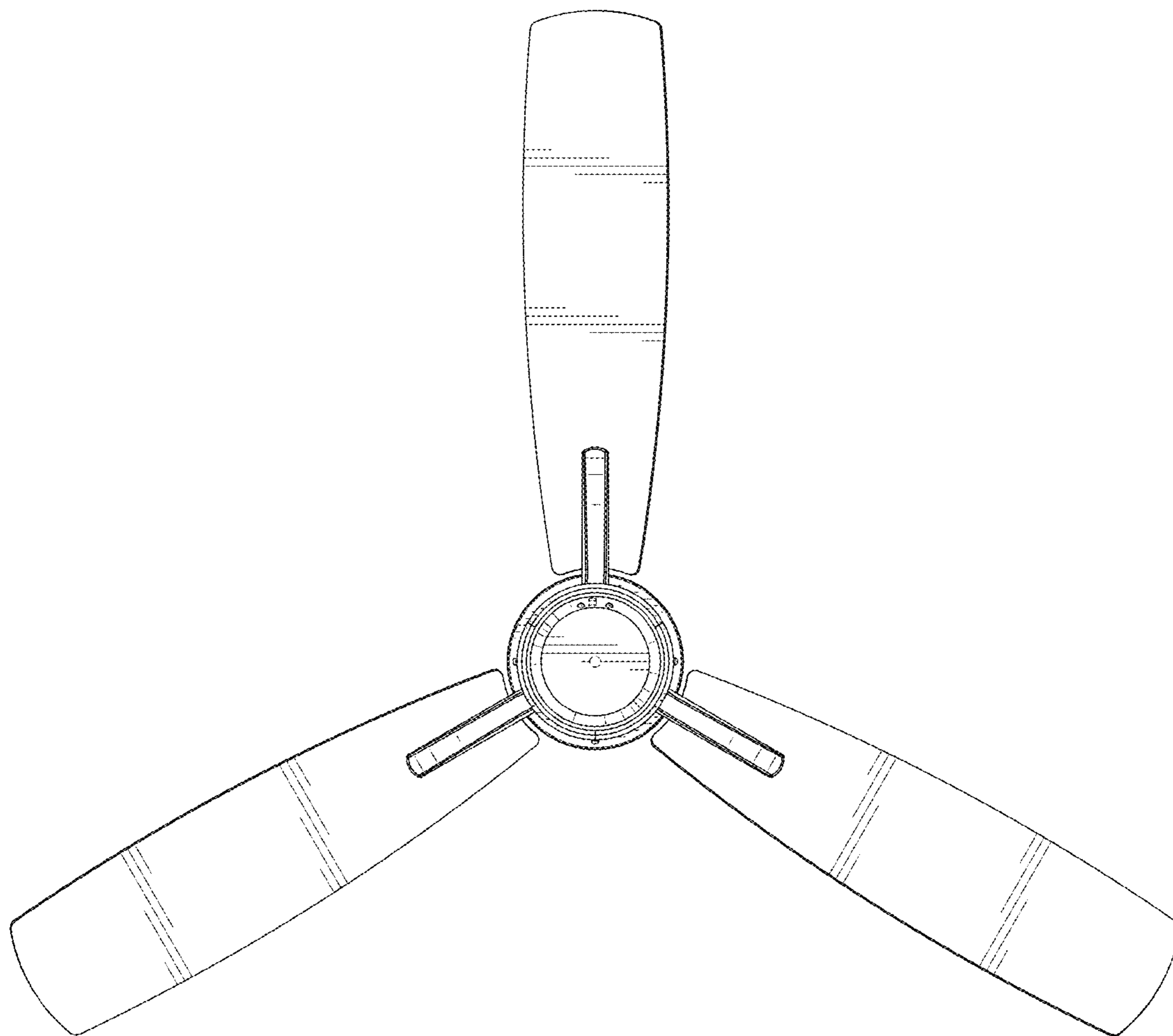


FIG. 7

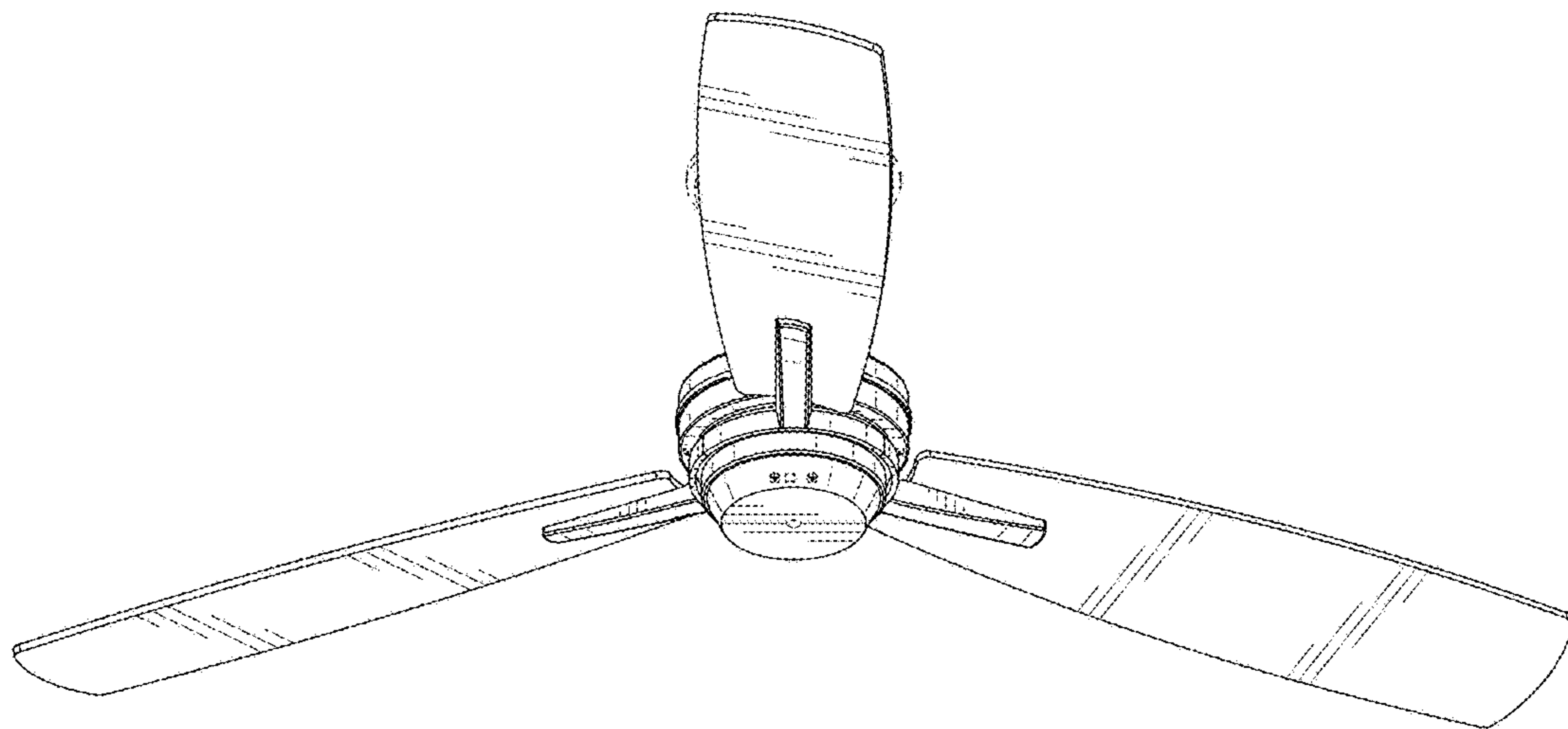


FIG. 8