



US00D800289S

(12) **United States Design Patent** (10) **Patent No.:** **US D800,289 S**
Guthrie (45) **Date of Patent:** **** Oct. 17, 2017**

(54) **CEILING FAN**

(71) Applicant: **HUNTER FAN COMPANY,**
Memphis, TN (US)

(72) Inventor: **Benjamin Scotti Guthrie,**
Germantown, TN (US)

(73) Assignee: **Hunter Fan Company,** Memphis, TN
(US)

(**) Term: **15 Years**

(21) Appl. No.: **29/556,797**

(22) Filed: **Mar. 3, 2016**

(51) **LOC (10) Cl.** **23-04**

(52) **U.S. Cl.**
USPC **D23/377**

(58) **Field of Classification Search**
USPC D23/355, 370-376, 378-387, 412, 414,
D23/377, 411, 413; D26/59; D12/214
CPC F04D 25/088; F21V 33/0096
See application file for complete search history.

(56) **References Cited**

U.S. PATENT DOCUMENTS

- 4,073,598 A * 2/1978 Mizutani F04D 25/0613
416/170 R
- 4,592,702 A * 6/1986 Bogage F04D 25/088
310/89
- 5,151,011 A * 9/1992 Rezek F21V 33/0096
416/5
- D331,101 S 11/1992 Rezek
- D420,120 S * 2/2000 Evans D23/377
- D427,353 S * 6/2000 Ewing D26/85
- D483,847 S * 12/2003 Tai D23/377
- D530,004 S * 10/2006 Curtin D23/411
- D609,325 S 2/2010 Chen
- D632,381 S * 2/2011 Davenport D23/377
- D663,455 S 7/2012 Glasbrenner
- D671,635 S 11/2012 Pan

- D704,821 S 5/2014 Wang
- D707,336 S * 6/2014 Pan D23/377
- D751,187 S * 3/2016 Dolan D23/377
- D760,368 S * 6/2016 Chen D23/377
- 2015/0078906 A1 * 3/2015 Wang F04D 29/34
416/219 R

OTHER PUBLICATIONS

NPL U—Minka Lavery Ceiling Fan Minka Aire F681-Bnw, 56",
date first available Mar. 5, 2016, amazon.com, site visited Jun. 22,
2017, Copyright © 1996-2017, Available from Internet, <https://
www.amazon.com/Minka-Lavery-Ceiling-Aire-F681-Bnw/dp/
B01FT4T2VY/ref=sr_1_1?ie=UTF8&qid=1498059115&sr=8-1
&keywords=minka+aire+groton>.*

(Continued)

Primary Examiner — Cathron Brooks
Assistant Examiner — Sharon S Oum
(74) *Attorney, Agent, or Firm* — McGarry Bair PC

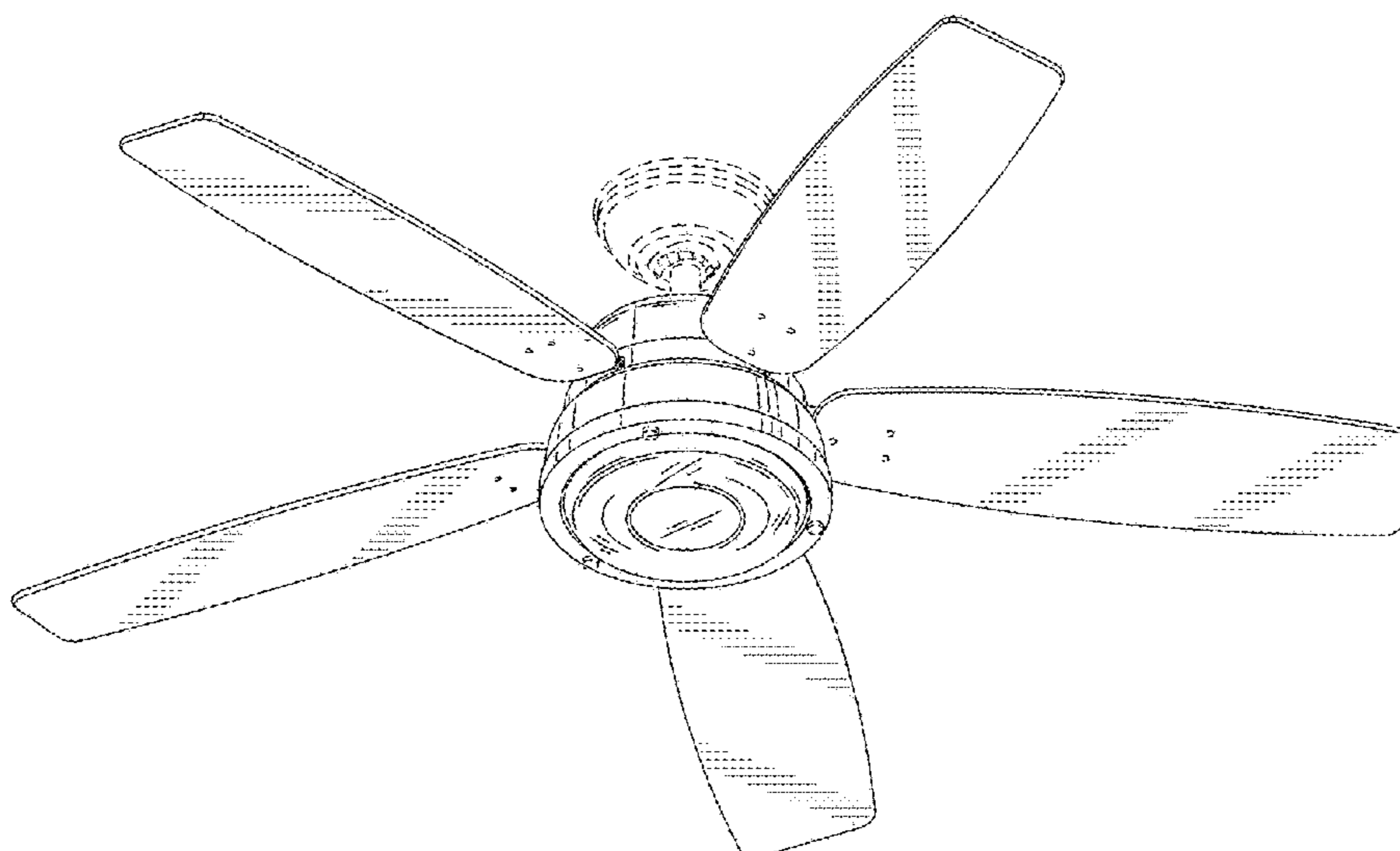
(57) **CLAIM**

The ornamental design for a ceiling fan, as shown and
described.

DESCRIPTION

FIG. 1 is a top perspective view of a ceiling fan showing my
new design;
FIG. 2 is a bottom perspective view of the ceiling fan of FIG.
1;
FIG. 3 is a top view of the ceiling fan of FIG. 1;
FIG. 4 is a bottom view of the ceiling fan of FIG. 1;
FIG. 5 is a front side view of the ceiling fan of FIG. 1;
FIG. 6 is a right side view of the ceiling fan of FIG. 1;
FIG. 7 is a rear side view of the ceiling fan of FIG. 1; and,
FIG. 8 is a left side view of the ceiling fan of FIG. 1.
Portions of the ceiling fan shown in broken lines form no
part of the claimed design.

1 Claim, 5 Drawing Sheets



(56)

References Cited

OTHER PUBLICATIONS

NPL V—One Light English Bronze Cream Frosted Glass Hugger Ceiling Fan-Savoy House 52-417-3WA-13, date first available Sep. 8, 2014, amazon.com, site visited Jun. 22, 2017, Copyright © 1996-2017, Available from Internet, <https://www.amazon.com/English-Frosted-Fan-Savoy-House-52-417-3WA-13/dp/B00NEWL4UG/ref=sr_1_2?ie=UTF8&qid=1498062592&sr=8-2&keywords=sa>.*

NPL W—Craftmade SOE54ESP5, Solo LED Espresso Five Blade 54" Ceiling Fan With Dimmable Light and Remote, date first available Mar. 18, 2016, amazon.com, site visited Jun. 21, 2017, Copyright © 1996-2017, Available from Internet, <https://www.amazon.com/Craftmade-SOE54ESP5-Espresso-Ceiling-Dimmable/dp/B01D4TWE7U/ref=sr_1_1?ie=UTF8&qid=1498058099&sr=8-1&ke>.*

<http://www.menards.com/main/p-1444438448164-c-7488.htm?tid=-5244648551955826367>, Item Specification for The Turn of the Century Lafitte 52 in. Gold Stone Ceiling Fan Model No. fn1305gs Menards® SKU: 3551305 Variation: Gold Stone, accessed Mar. 3, 2016.

<http://www.homedepot.com/p/Hampton-Bay-Marlton-52-in-Oil-Rubbed-Bronze-Ceiling-Fan-YG305-ORB/202549795>, Item Specification for the Hampton Bay Model # YG305-ORB Internet # 202549795 Store SKU # 122165 Marlton 52 in. Oil-Rubbed Bronze Ceiling Fan, accessed Mar. 3, 2016.

<http://www.menards.com/main/p-1444424537879-c-7487.htm?tid=3675202324194494198>, Item Specification for The Turn of the Century Montego Bay 52" Weathered Copper Wet Rated Ceiling Fan, Model # CP152115, accessed Mar. 3, 2016.

<http://www.kingoffans.com/#/products/ceilingFans>, Item Specification for the King of Fans Cabrera, Model #61375, accessed Mar. 3, 2016.

<http://www.kingoffans.com/#/products/ceilingFans>, Item Specification for the King of Fans Sauterne, Model #46377, accessed Mar. 3, 2016.

<http://www.kichler.com/products/product/52-inch-harbour-walk-patio-fan-wcp-310102wcp.aspx>, Item Specification for The Kichler Harbour Walk Patio Collection 52 Inch Harbour Walk Patio Fan WCP 310102WCP (Weathered Copper Powder Coat), accessed Mar. 3, 2016.

<http://www.craftmade.com/Craftmade-Union-v16.htm>, Item Specification for the Craftmade Union Model # UN52OBG4, accessed Mar. 3, 2016.

<http://www.homedepot.com/p/Hampton-Bay-Trusseau-52-in-Brushed-Nickel-Ceiling-Fan-AL775-BN/203245489>, Item Specification for the Hampton Bay Trusseau Model # AL775-BN Internet # 203245489 52 in. Brushed Nickel Ceiling Fan, accessed Mar. 3, 2016.

<http://ceilingfans.emerson.com/shop/en/fan/fans-s-emerson-fans/fans-s-contemporary/southtowne-fan-p-cf4900>, Item Specification for the Emerson Southtowne SKU: CF4900ORB, accessed Mar. 3, 2016.

<http://www.craftmade.com/Craftmade-Copeland-v16.htm>, Item Specification for the Craftmade Copeland Model #: CN52OBG5, accessed Mar. 3, 2016.

<http://www.minkagroup.net/products/f696-ka>, Item Specification for The Minka Aire Kafe-XL 60" Ceiling Fan in Kocoa Finish with 5 Reversible Blades in Toned Medium Maple / Dark Maple, accessed Mar. 3, 2016.

<http://www.montecarlofans.com/28202/52-Acura-Fan-Roman-Bronze-3ACR52RBD.html>, Item Specification for the Monte Carlo Acura 52" 3-Blade Acura Ceiling Fan with Remote and Light Kit, Product #: 3ACR52RBD, accessed Mar. 3, 2016.

* cited by examiner

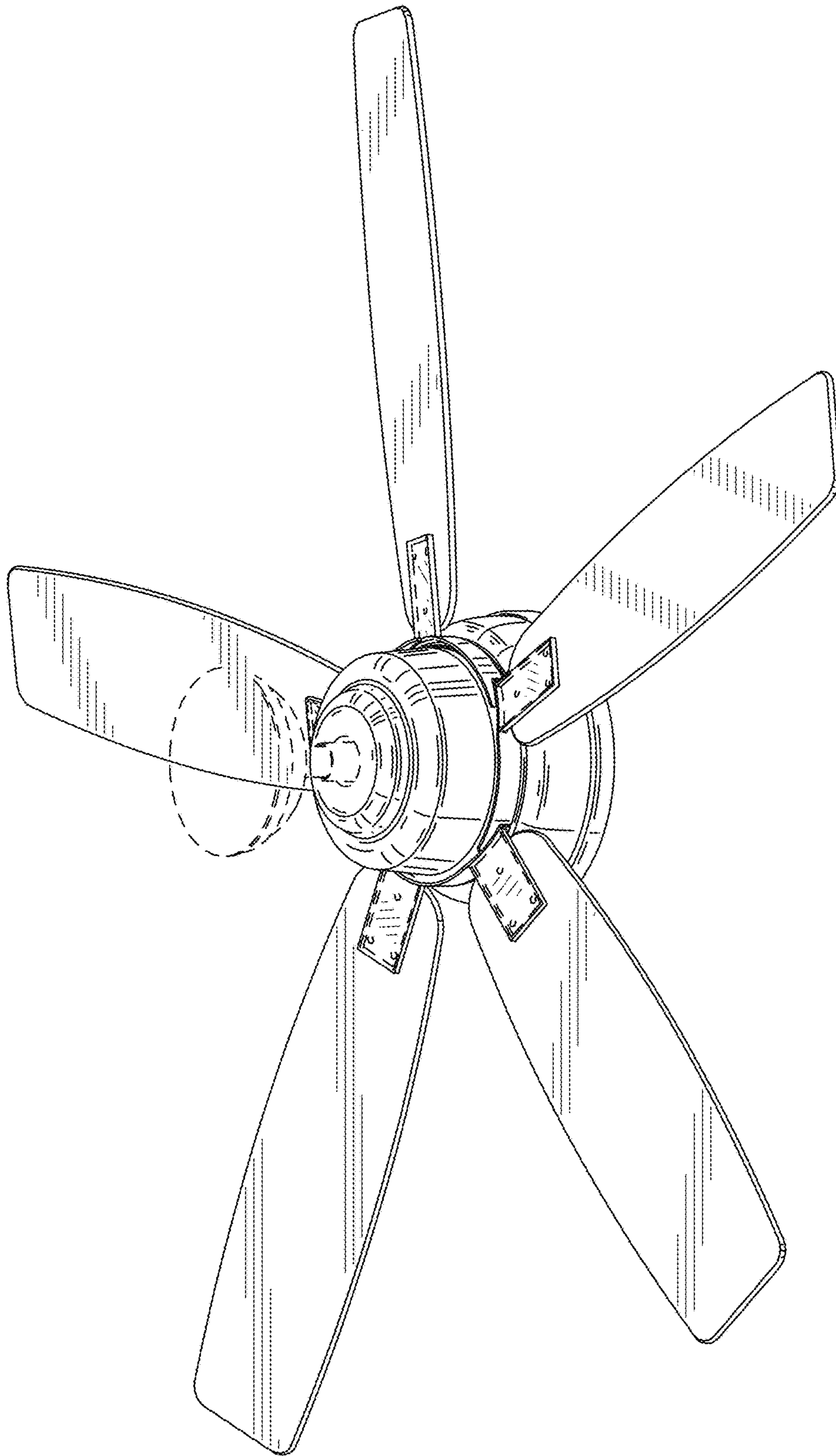


FIG.1

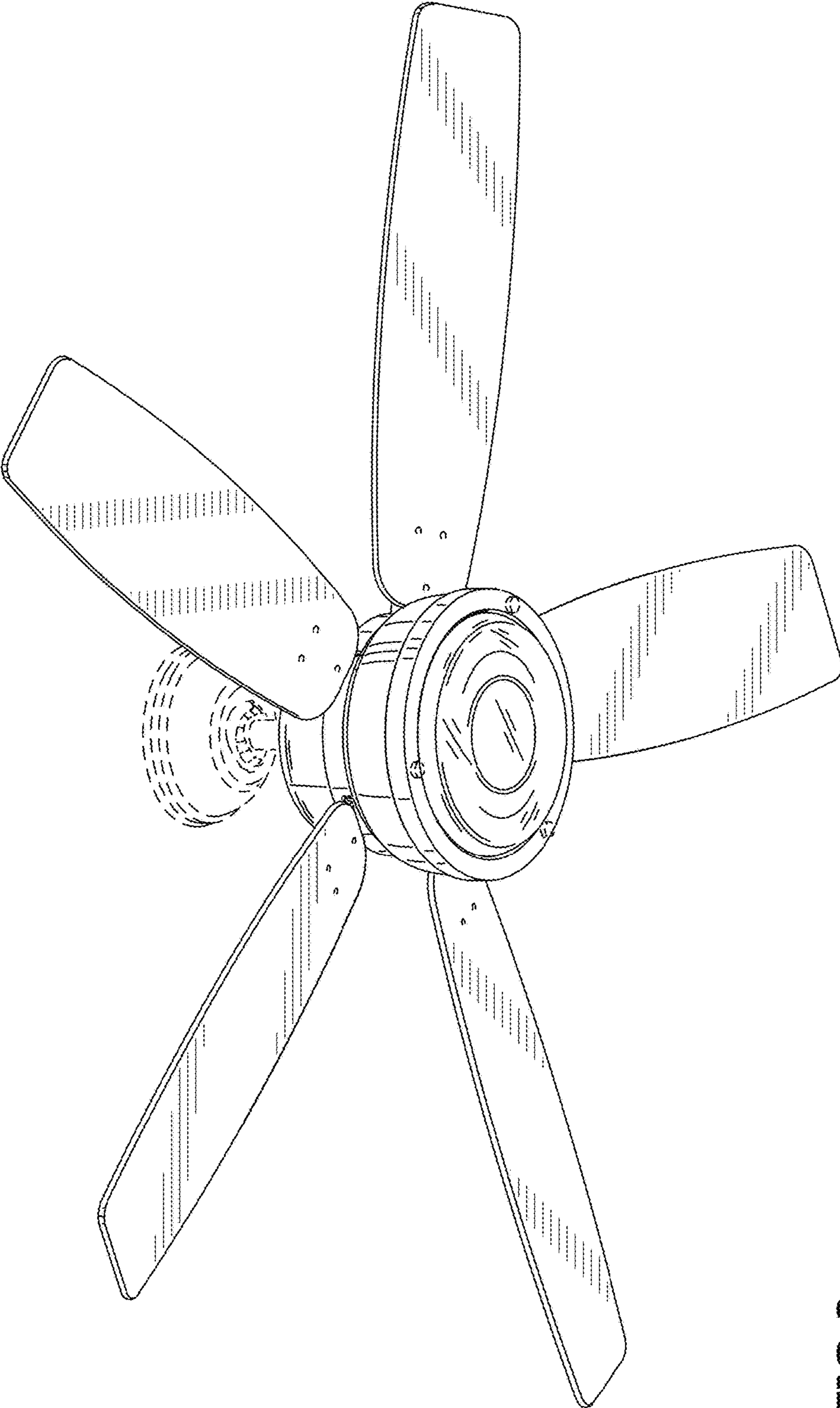


FIG. 2

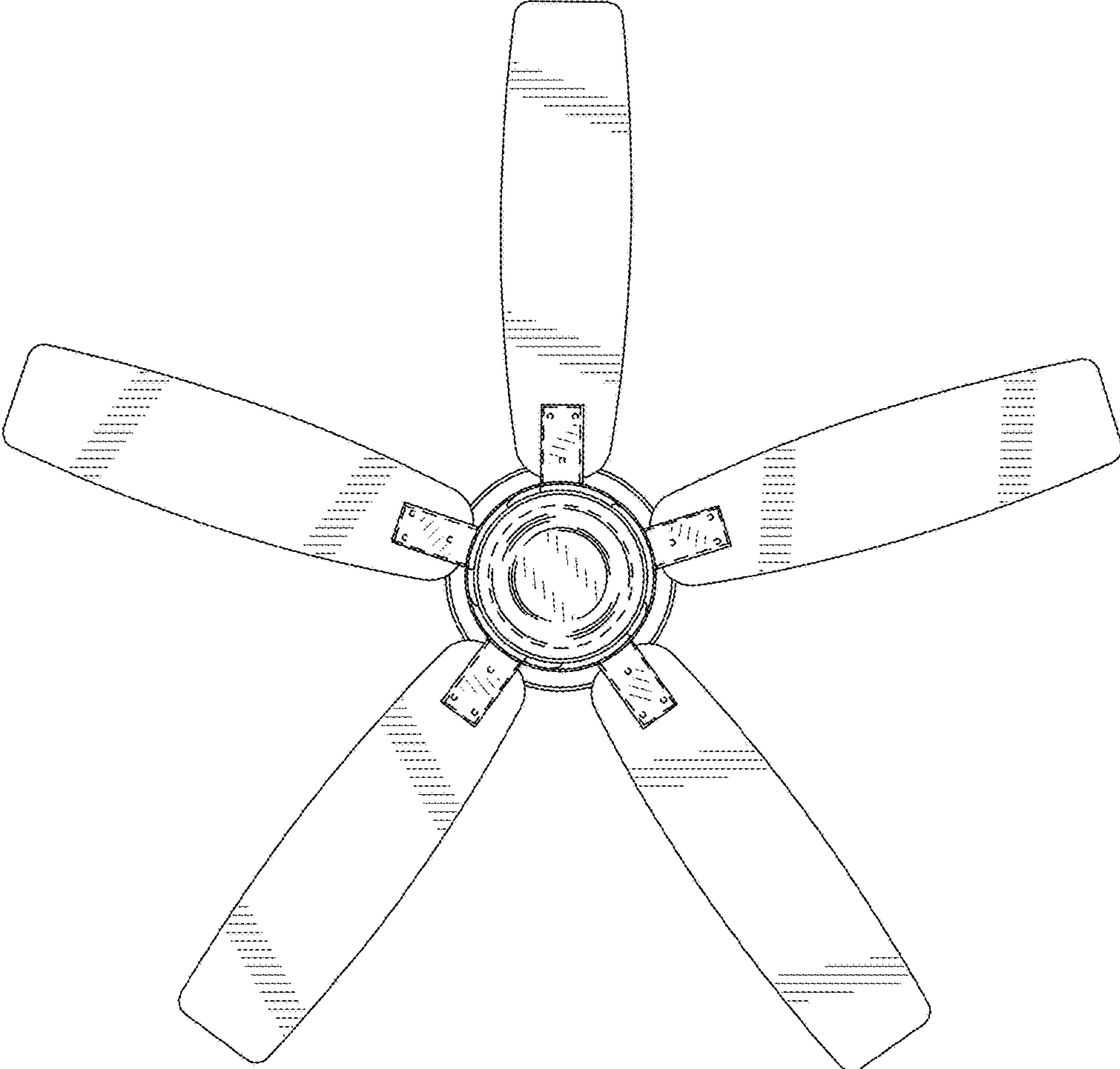


FIG.3

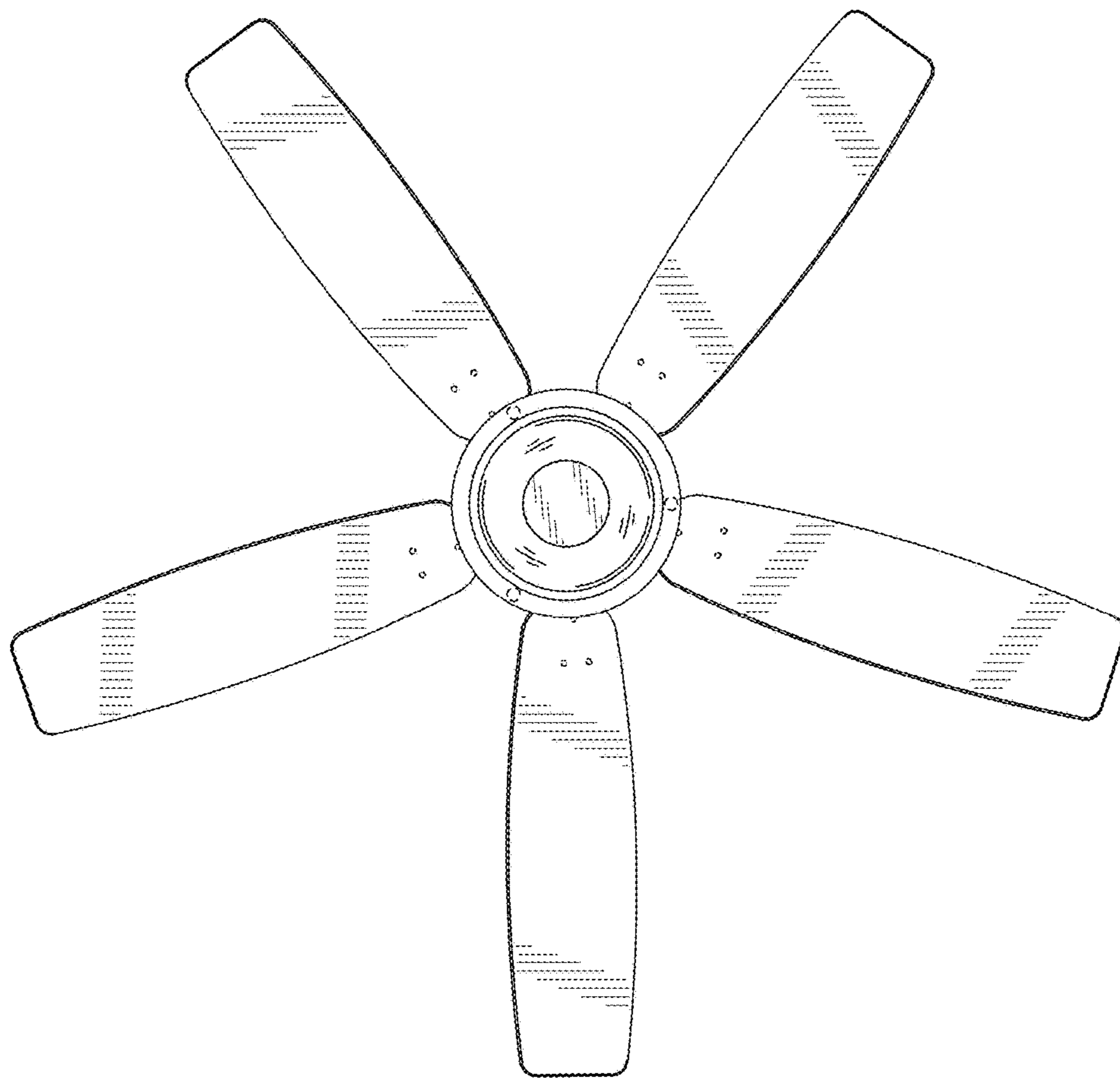


FIG. 4

