



US00D800287S

(12) **United States Design Patent** (10) **Patent No.:** **US D800,287 S**
Sevy (45) **Date of Patent:** **** Oct. 17, 2017**

(54) **TRIANGULAR, DROP-IN, MODULAR DIFFUSER**

6,036,108 A * 3/2000 Chen B65D 83/262
222/402.13

(71) Applicant: **Earl Vaughn Sevy**, Cedar City, UT (US)

6,168,392 B1 1/2001 Takano
6,217,281 B1 4/2001 Jeng et al.
6,364,637 B1 4/2002 Hase et al.
D477,389 S * 7/2003 Chen D23/366
D491,258 S 6/2004 Sevy

(72) Inventor: **Earl Vaughn Sevy**, Cedar City, UT (US)

(Continued)

(**) Term: **15 Years**

FOREIGN PATENT DOCUMENTS

(21) Appl. No.: **29/548,704**

CA 2519809 A1 * 10/2004 A61L 9/042
GB 2485280 A * 5/2012 A61L 9/015

(22) Filed: **Dec. 16, 2015**

OTHER PUBLICATIONS

(51) **LOC (10) Cl.** **23-04**

Tetra Whisper Aquarium Air Pump 300, Aquarium Guys, Oct. 8, 2008 p. 1, <http://www.aquariumguys.com/tetraairpump4.html>.

(52) **U.S. Cl.**

(Continued)

USPC **D23/366**

(58) **Field of Classification Search**

USPC D23/356-369, 209, 213, 316, 354, 386, D23/388, 341, 308; D9/435, 553, 561, D9/769, 770, 432; D32/31; 261/DIG. 17, DIG. 42, DIG. 65, DIG. 88, 261/DIG. 89; D24/162; D26/51
CPC A61L 9/00; A61L 9/02; A61L 9/03; A61L 9/032; A61L 9/035; A61L 9/037; A61L 9/04; A61L 9/12; A61L 9/122; A61L 9/125; A61L 9/127; A61L 9/14; B05B 7/06; B05B 7/30; B05B 7/32; B05B 1/28; B05B 17/04; E21B 43/00; E21B 43/34; E21B 43/38; A01K 63/04; A01K 63/047; A61M 11/00

See application file for complete search history.

Primary Examiner — Sheryl Lane
Assistant Examiner — Samantha N Wood
(74) *Attorney, Agent, or Firm* — Pate Baird, PLLC

(57) **CLAIM**

The ornamental design for a triangular, drop-in, modular diffuser, as shown and described.

DESCRIPTION

FIG. 1 is a frontal perspective view of a triangular, drop-in modular diffuser;
FIG. 2 is a rear perspective view thereof;
FIG. 3 is a front elevation view thereof;
FIG. 4 is a rear elevation view thereof;
FIG. 5 is a left side elevation view thereof;
FIG. 6 is a right side elevation view thereof;
FIG. 7 is a top plan view thereof; and,
FIG. 8 is a bottom plan view thereof.

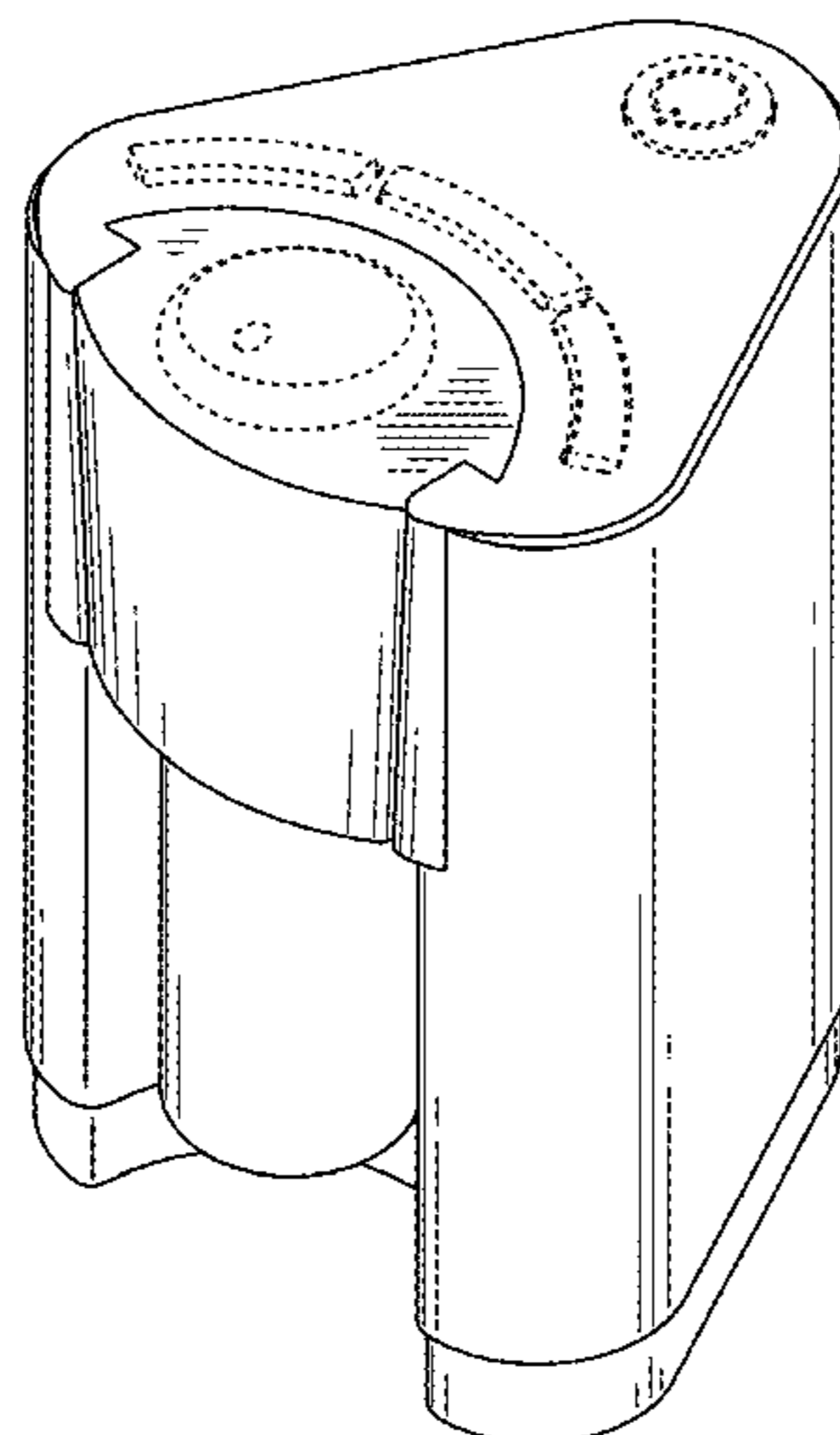
The broken lines showing portions of the triangular, drop-in, modular diffuser are included for the purpose of illustrating portions of the article and form no part of the claimed design.

(56) **References Cited**

U.S. PATENT DOCUMENTS

3,641,757 A 2/1972 Rehn
D285,606 S * 9/1986 Christopherson D23/209
5,137,432 A 8/1992 Tsai
D338,952 S * 8/1993 Snow D23/366
D345,196 S * 3/1994 Kelly D23/208
D357,330 S * 4/1995 Wong D23/328
D383,864 S * 9/1997 Billings D23/366

1 Claim, 3 Drawing Sheets



(56)

References Cited

U.S. PATENT DOCUMENTS

D492,020	S	6/2004	Sevy	
D509,893	S	9/2005	Sevy	
D520,129	S	5/2006	Sevy	
D526,710	S	8/2006	Sevy	
7,407,118	B2	8/2008	Sevy	
D582,292	S *	12/2008	Short D9/435
D606,643	S *	12/2009	Butler D23/366
7,712,683	B2	5/2010	Robert et al.	
D636,476	S *	4/2011	Abbondanzio D23/366
7,930,068	B2	4/2011	Robert et al.	
D718,431	S *	11/2014	Young D23/366
2014/0224897	A1 *	8/2014	Garagnon A61L 2/00 239/43

OTHER PUBLICATIONS

Optima Air Pump A807, Aquarium Guys, Oct. 8, 2008, p. 1, <http://www.aquariumguys.com/optimaairpump.html>.
 Silent Air X-4 Air Pump, Aquarium Guys, Oct. 8, 2008, p. 1, <http://www.aquariumguys.com/silentairpump4.html>.
 Whisper 60 Aquarium Air Pump, Aquarium Guys, Oct. 8, 2008, p. 1, <http://www.aquariumguys.com/tetra-whisper60-air-pump.html>.
 Rena Air 400 Air Pump 702E, Aquarium Guys, Oct. 8, 2008, p. 1, <http://www.aquariumguys.com/renaairpump4.html>.

Tom Stellar Air Pumps S-30, Fish Tanks Direct, Oct. 8, 2008, p. 1, <http://www.fishtanksdirect.com/index.asp?PageAction=VIEWPROD&ProdID=2102>.
 Aroma-Globe™ Essential Oil Diffuser/Nebulizer Diffuser World, Oct. 8, 2008, p. 1 <http://www.diffuserworld.com/aromaglobATM-essential-oil-diffusernebulizer-p-10.html>.
 Nebulizing Diffuser, Betterherbs, Oct. 8, 2008, <http://betterherbs.serrahost.com/Detail.bok?no=397>.
 Auroma Nebulizer for the House, Shop.com, Oct. 8, 2008, p. 1 http://www.shop.com/Auroma_Nebulizer_for_the_House_diffuser-46805905-p!.shtml.
 Aura Cacia Electric Diffuser House Model, Shop.com, Oct. 8, 2008, p. 1, http://www.shop.com/Aura_Cacia_Electric_Diffuser_House_Model_diffuser-46805768-p!.shtml.
 Essential Air Room Diffusers, Leyden House, Oct. 8, 2008, p. 1 <http://www.leydenhouse.com/diffusers.html>.
<http://www.air-aroma.com/diffusers>, Mar. 21, 2013.
http://www.prolitec.com/appliances_commercial.htm, Mar. 21, 2013.
<http://scentair.com/why-scentair-solutions/>, Mar. 21, 2013.
<http://www.brandaroma.com/products/>, Mar. 21, 2013.
<http://www.e2aroma.com/appliances/smart-air-maxi/>, Mar. 21, 2013.
<http://www.scentaustralia.com.au/index.php/products/scent-diffuser-zephyr>, Mar. 21, 2013.
<http://www.voitair.com/scent-systems>, Mar. 21, 2013.
<http://www.fragrancemachine.com/>, Mar. 21, 2013.

* cited by examiner

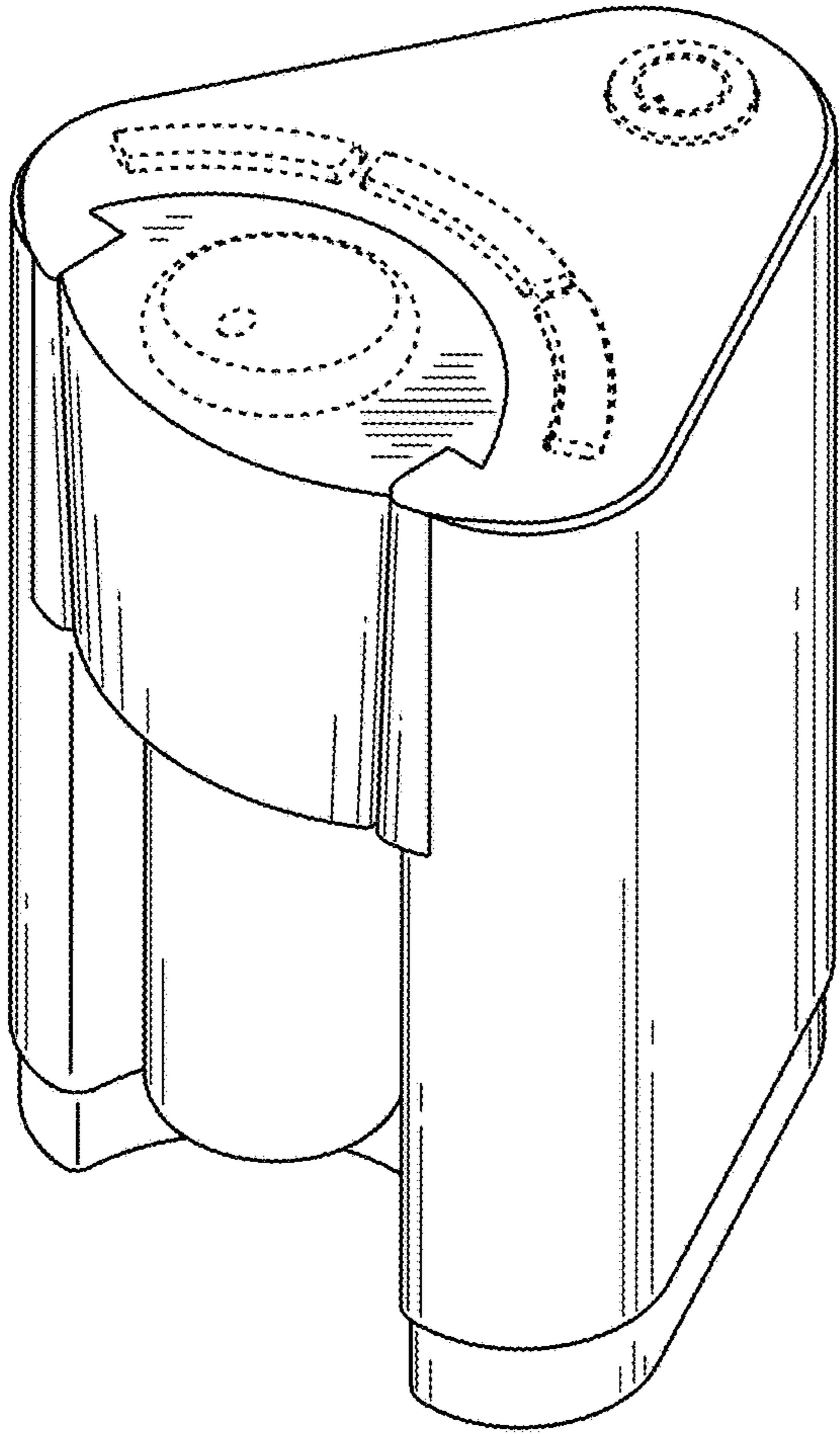


FIG. 1

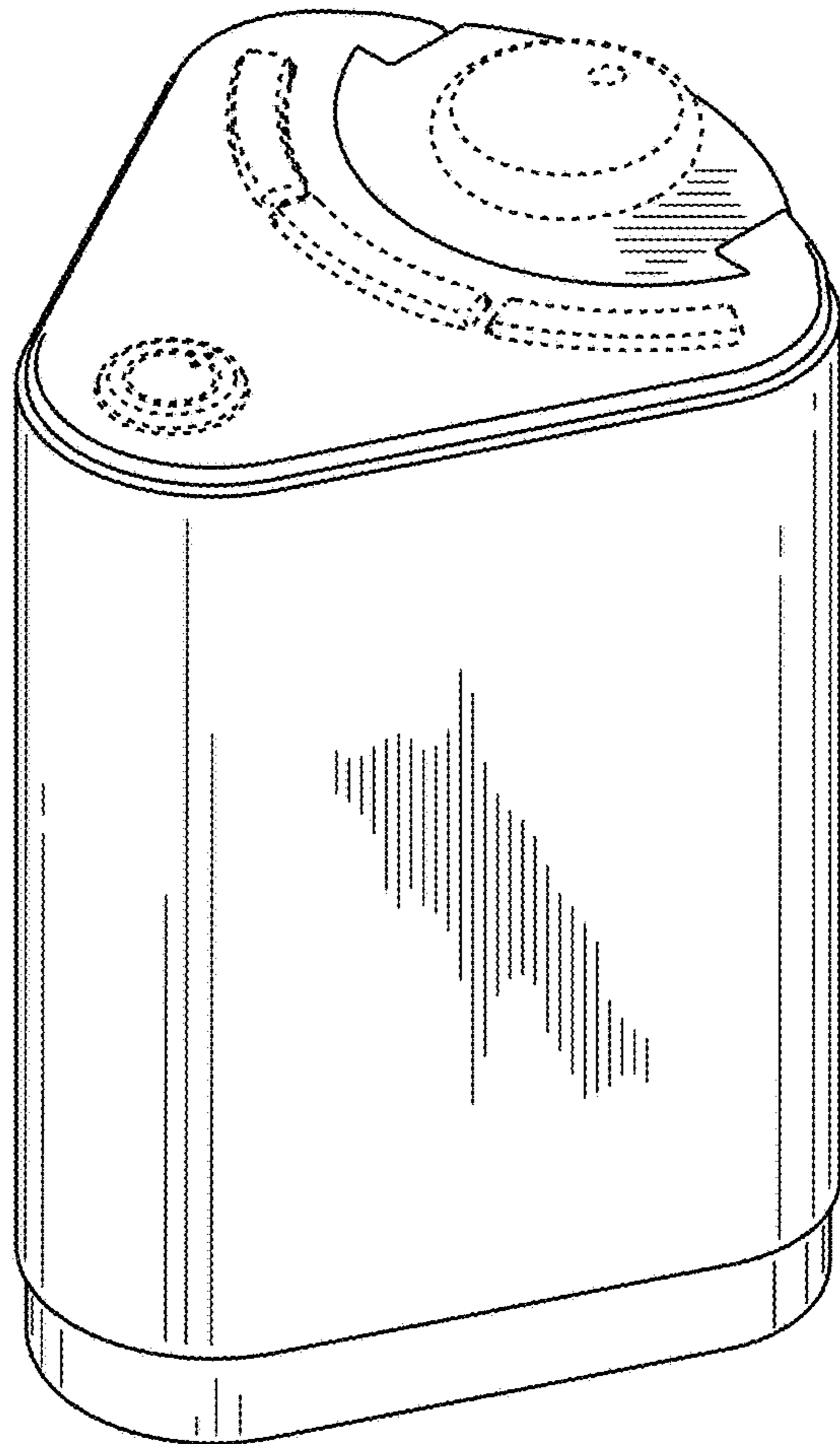


FIG. 2

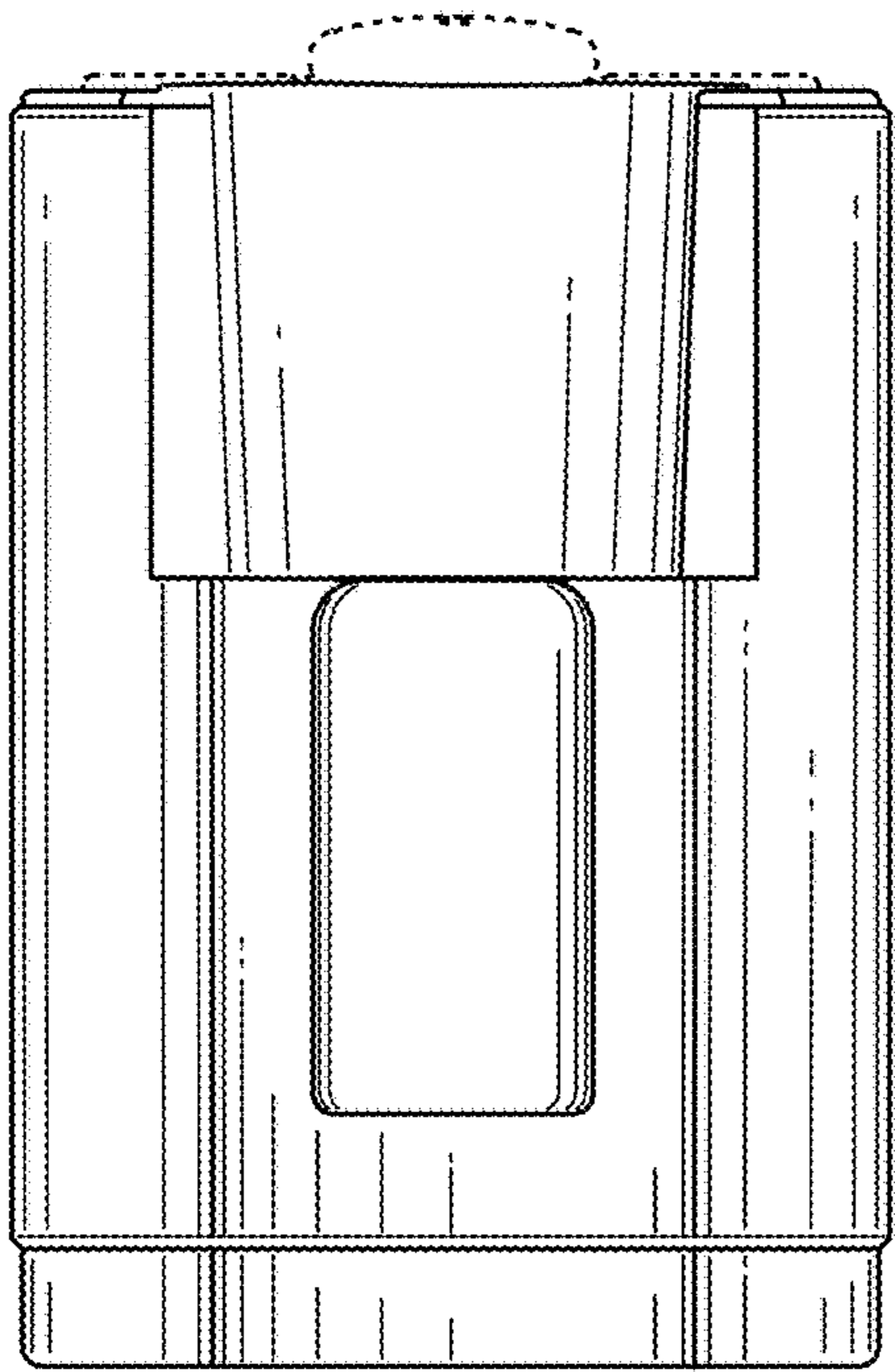


FIG. 3

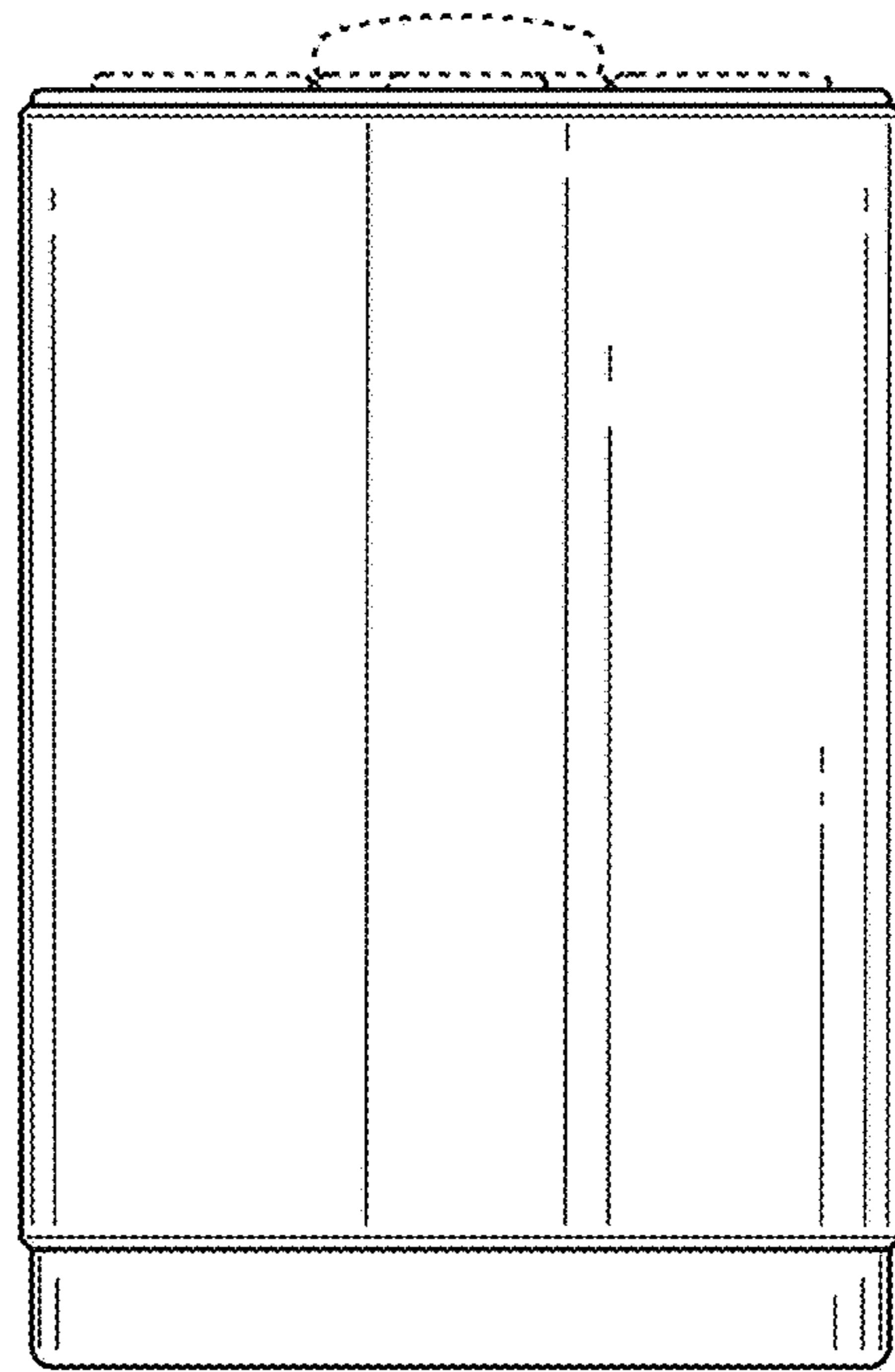


FIG. 4

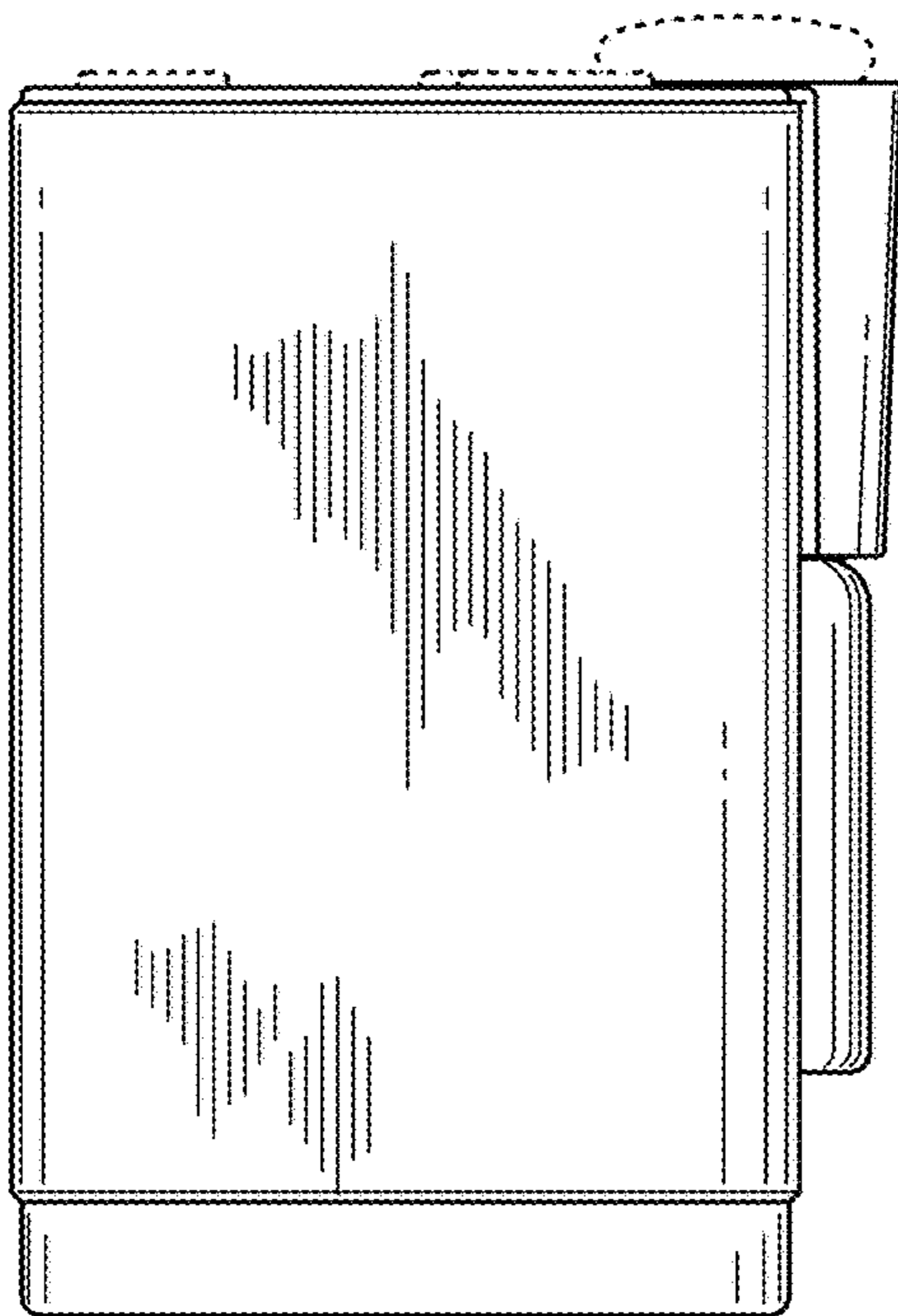


FIG. 5

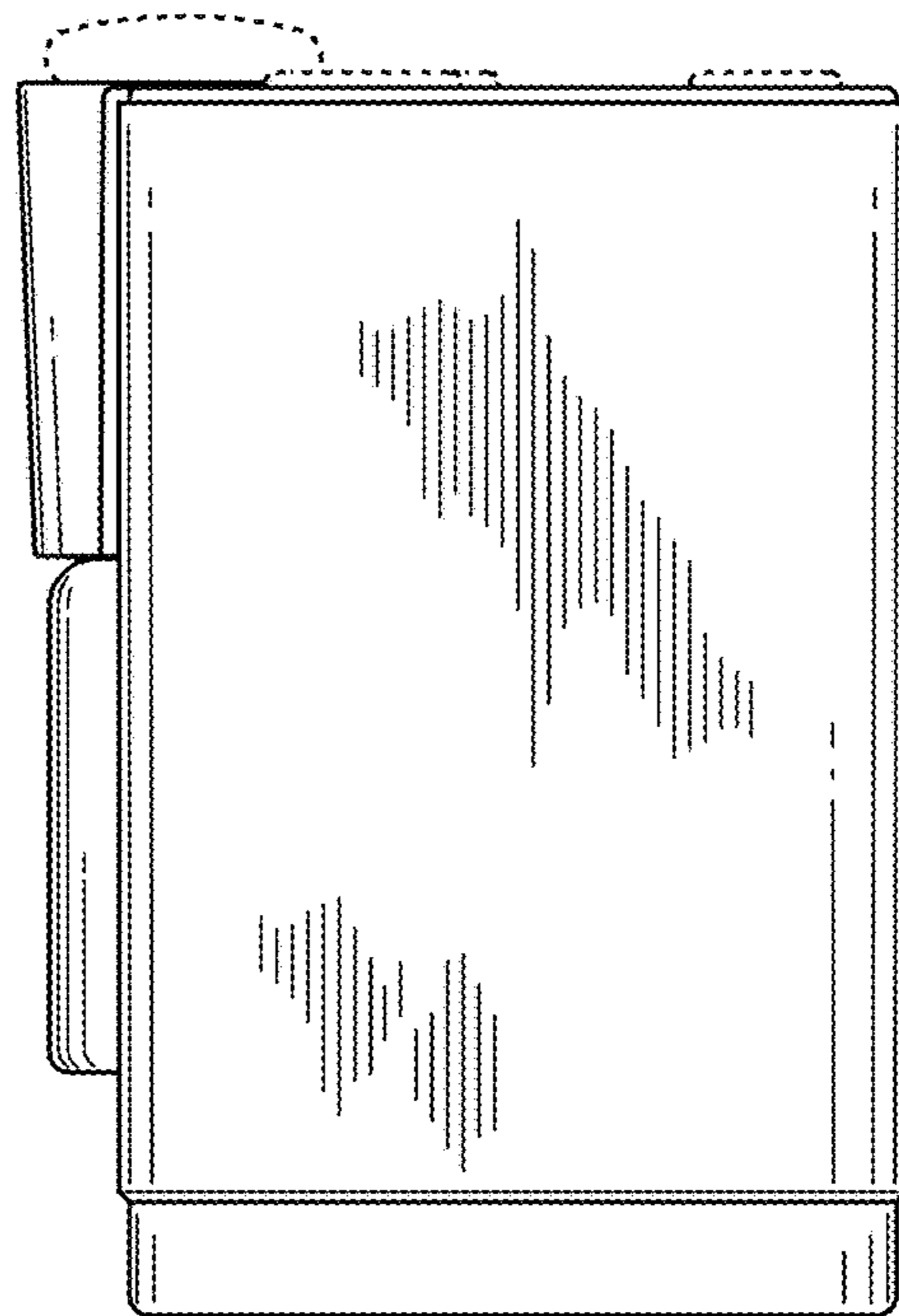


FIG. 6

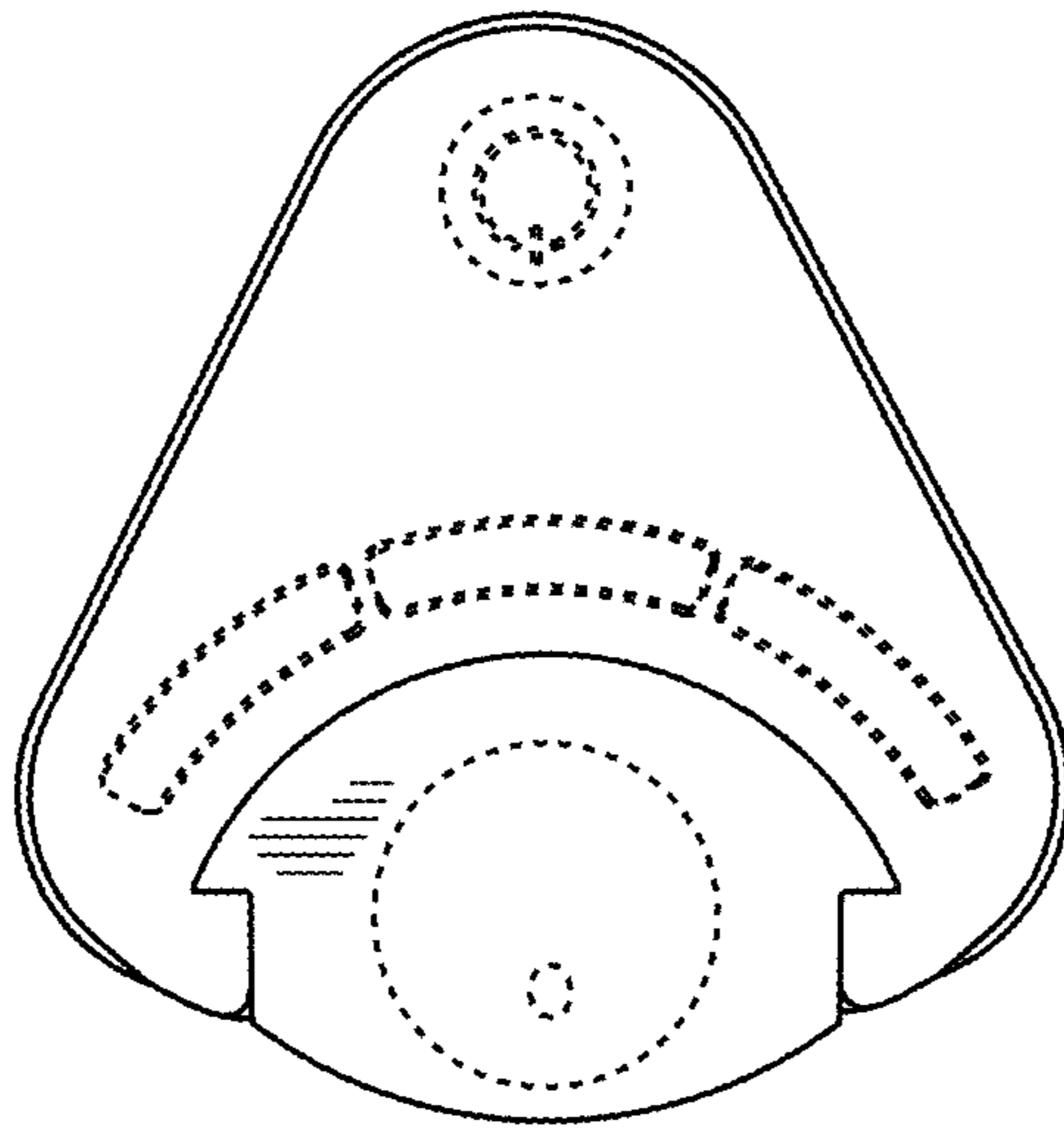


FIG. 7

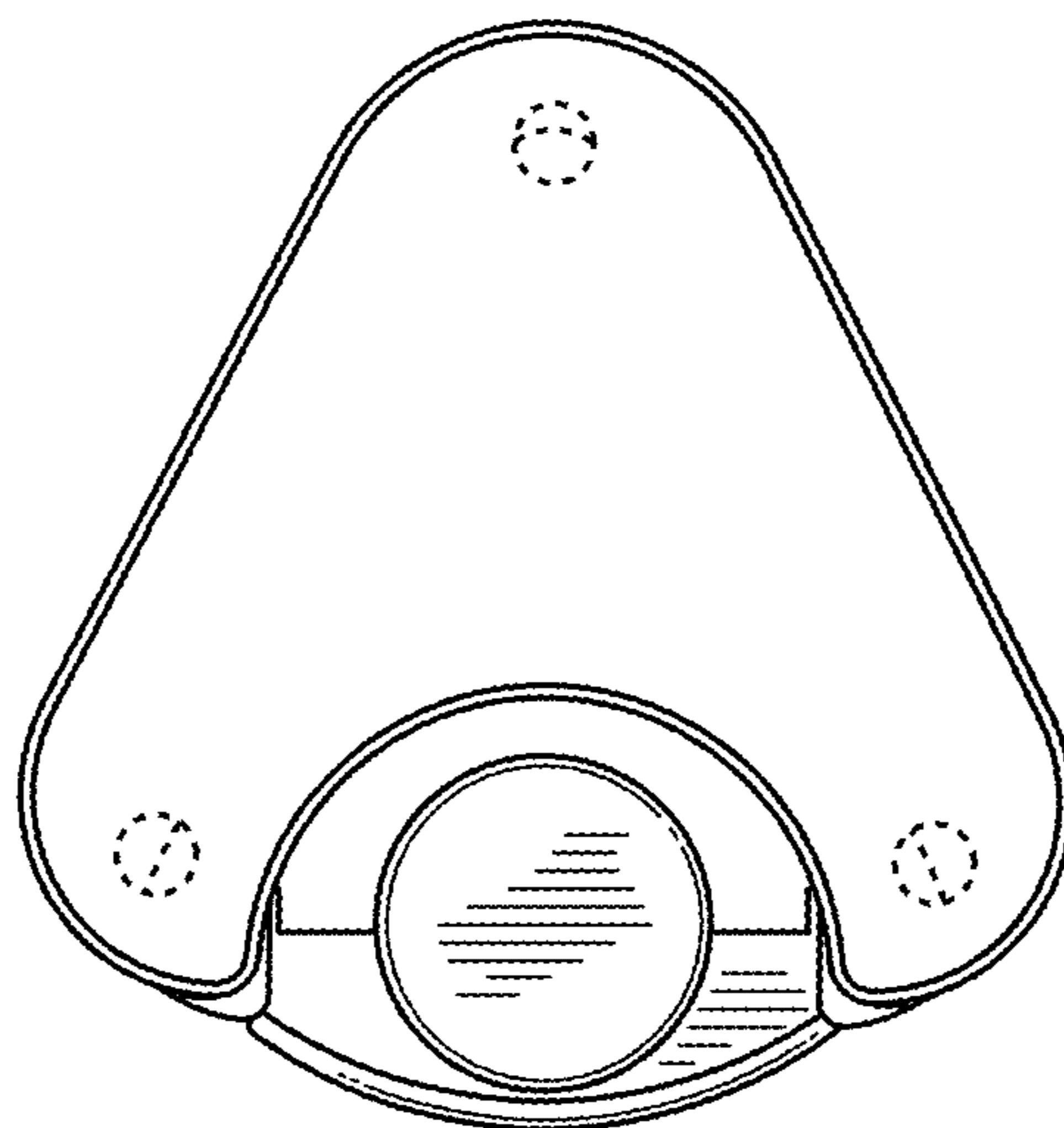


FIG. 8