



US00D800285S

(12) **United States Design Patent** (10) **Patent No.:** **US D800,285 S**
Seo et al. (45) **Date of Patent:** **** Oct. 17, 2017**

(54) **WATER TANK FOR FLOATING-TYPE HUMIDIFIER**
(71) Applicant: **MIRO CO. LTD.**, Incheon (KR)
(72) Inventors: **Dong Jin Seo**, Seoul (KR); **Yong Ju Oh**, Incheon (KR); **Min Seok Kim**, Incheon (KR)
(73) Assignee: **INTELLECTUAL DISCOVERY CO., LTD.**, Seoul (KR)
(**) Term: **15 Years**
(21) Appl. No.: **29/550,795**
(22) Filed: **Jan. 7, 2016**
(30) **Foreign Application Priority Data**
Jul. 7, 2015 (KR) 30-2015-0034276
(51) **LOC (10) Cl.** **23-02**
(52) **U.S. Cl.**
USPC **D23/358**
(58) **Field of Classification Search**
USPC D23/355-366, 352, 369, 332, 333, 335, D23/336, 342, 351; 422/120, 122; 55/356, 473, 504; 96/97; 261/DIG. 17, 261/DIG. 65, DIG. 88, DIG. 31
CPC .. A61L 9/16; A61L 9/22; B01D 47/00; B01D 47/027; B01D 2221/02; B01D 2259/4508; B03C 3/155; B03C 3/368; F24F 3/16; F24F 13/20; F24F 13/28; F24F 2001/0096; F24F 3/1405; F24F 3/1603; F24F 13/222

See application file for complete search history.

(56) **References Cited**
U.S. PATENT DOCUMENTS
5,477,640 A * 12/1995 Holtkamp, Jr. A01G 27/04 239/289
D611,588 S * 3/2010 Jorgensen D23/366
D650,056 S * 12/2011 Li D23/366
D692,547 S * 10/2013 Wirz D23/366
D692,551 S * 10/2013 Wirz D23/366
D698,429 S * 1/2014 Jorgensen D23/366
D698,909 S * 2/2014 Chou D23/366
D698,910 S * 2/2014 Lin D23/366
D720,063 S * 12/2014 Li D23/366
D729,370 S * 5/2015 Chou D23/366
D732,653 S * 6/2015 Hsiao D23/366
D733,859 S * 7/2015 Hsiao D23/366
D754,832 S * 4/2016 Seo D23/365

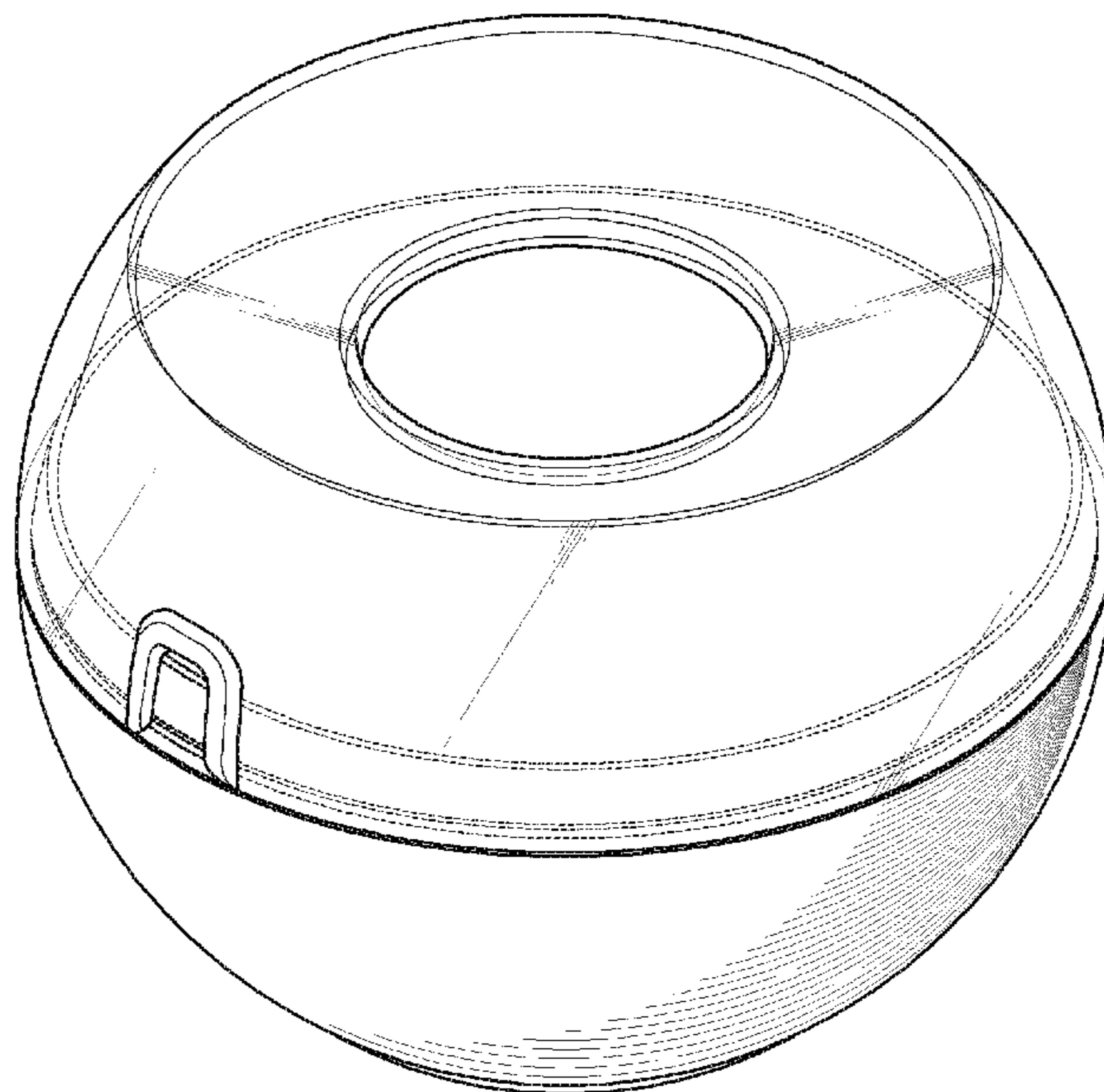
* cited by examiner

Primary Examiner — David Muller
(74) *Attorney, Agent, or Firm* — Novick, Kim & Lee, PLLC; Sang Ho Lee

(57) **CLAIM**
The ornamental design for a water tank for floating-type humidifier, as shown and described.

DESCRIPTION
FIG. 1 is a front perspective view of a water tank for floating-type humidifier according to our new design; FIG. 2 is a front elevational view thereof; FIG. 3 is a rear elevational view thereof; FIG. 4 is a left side elevational view thereof; FIG. 5 is a right side elevational view thereof; FIG. 6 is a top plan view thereof; and, FIG. 7 is a bottom plan view thereof.
The features shown in broken lines in the drawings form no part of the claimed design.

1 Claim, 7 Drawing Sheets



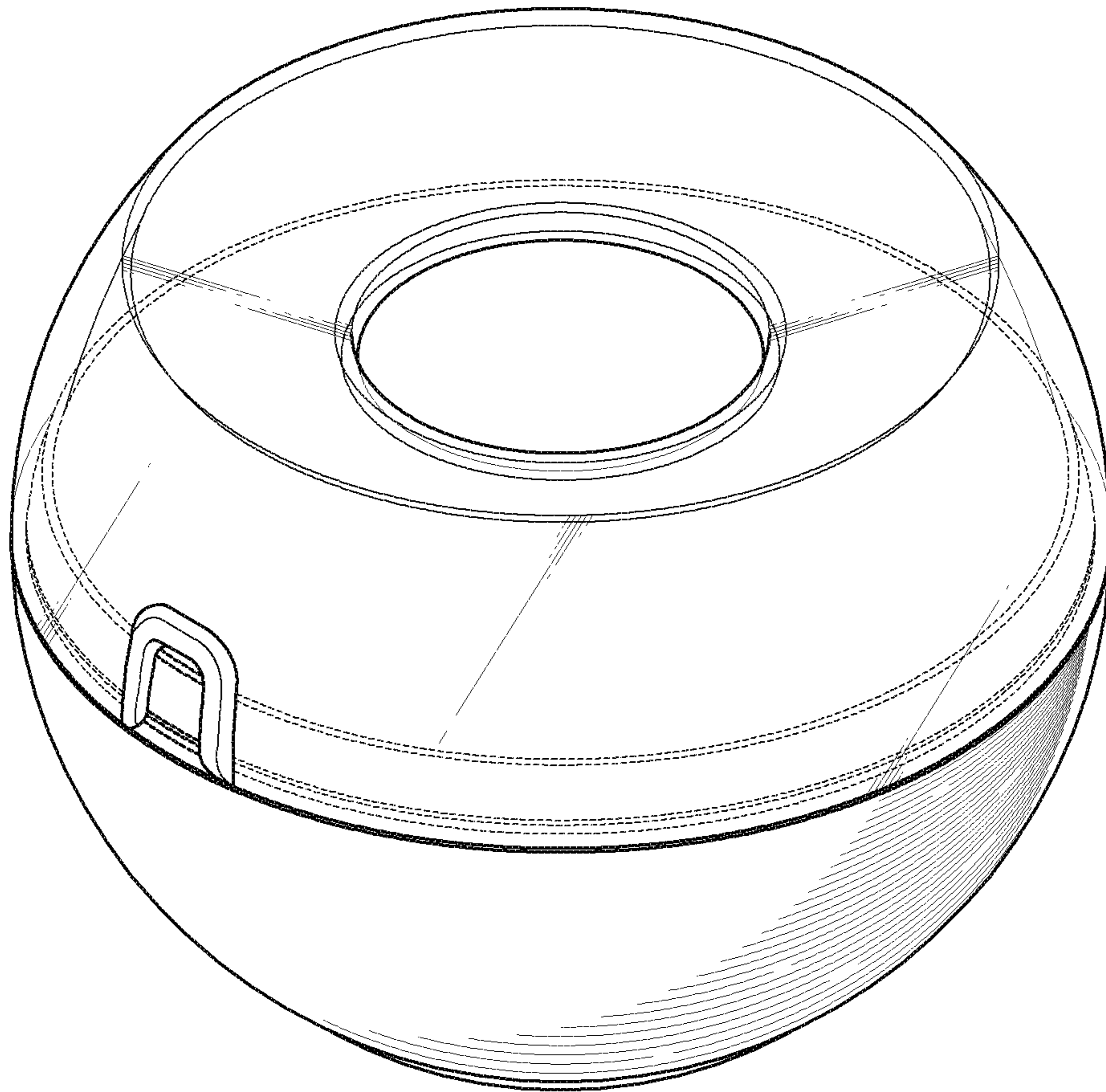


FIG. 1

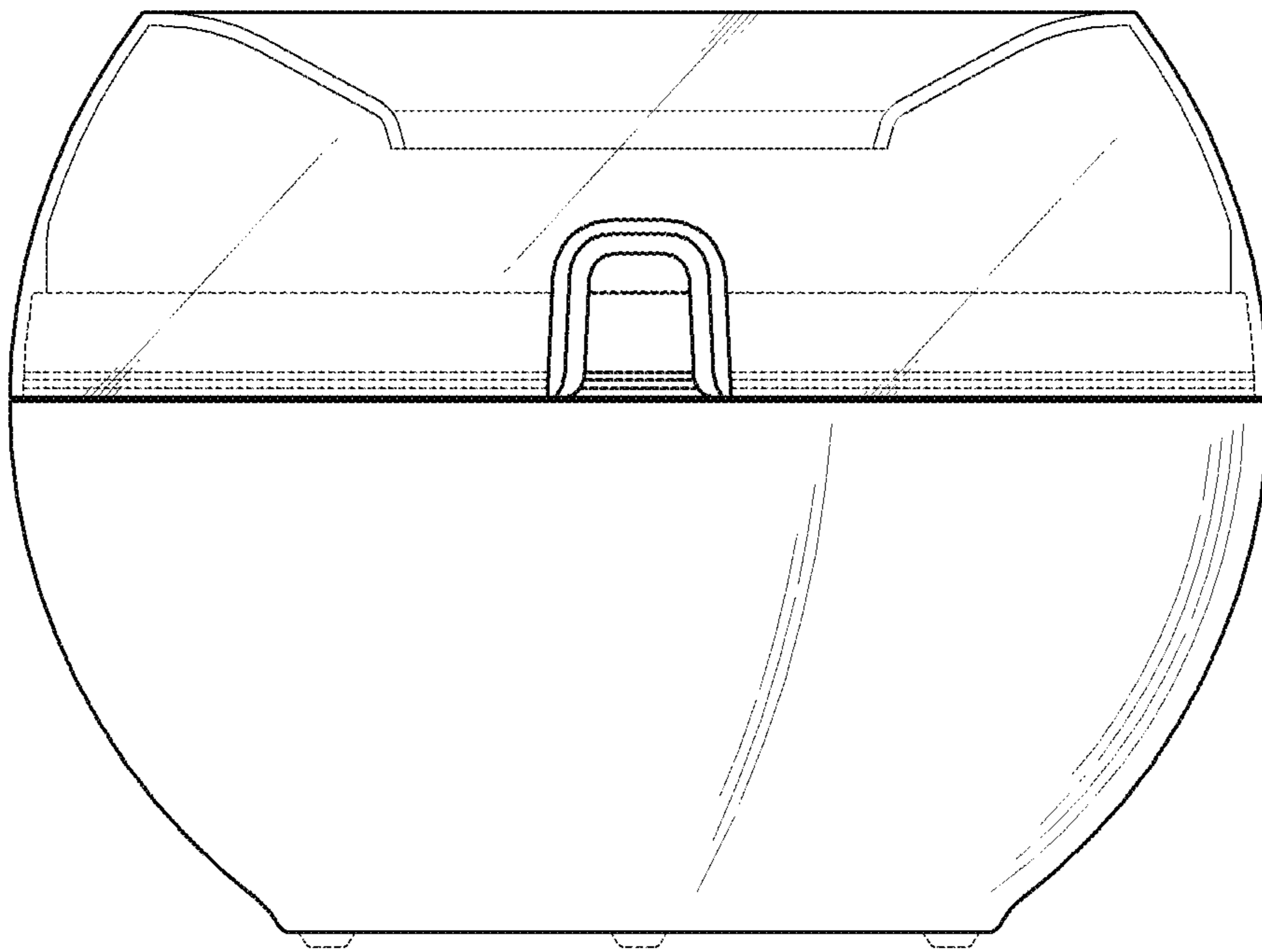


FIG. 2

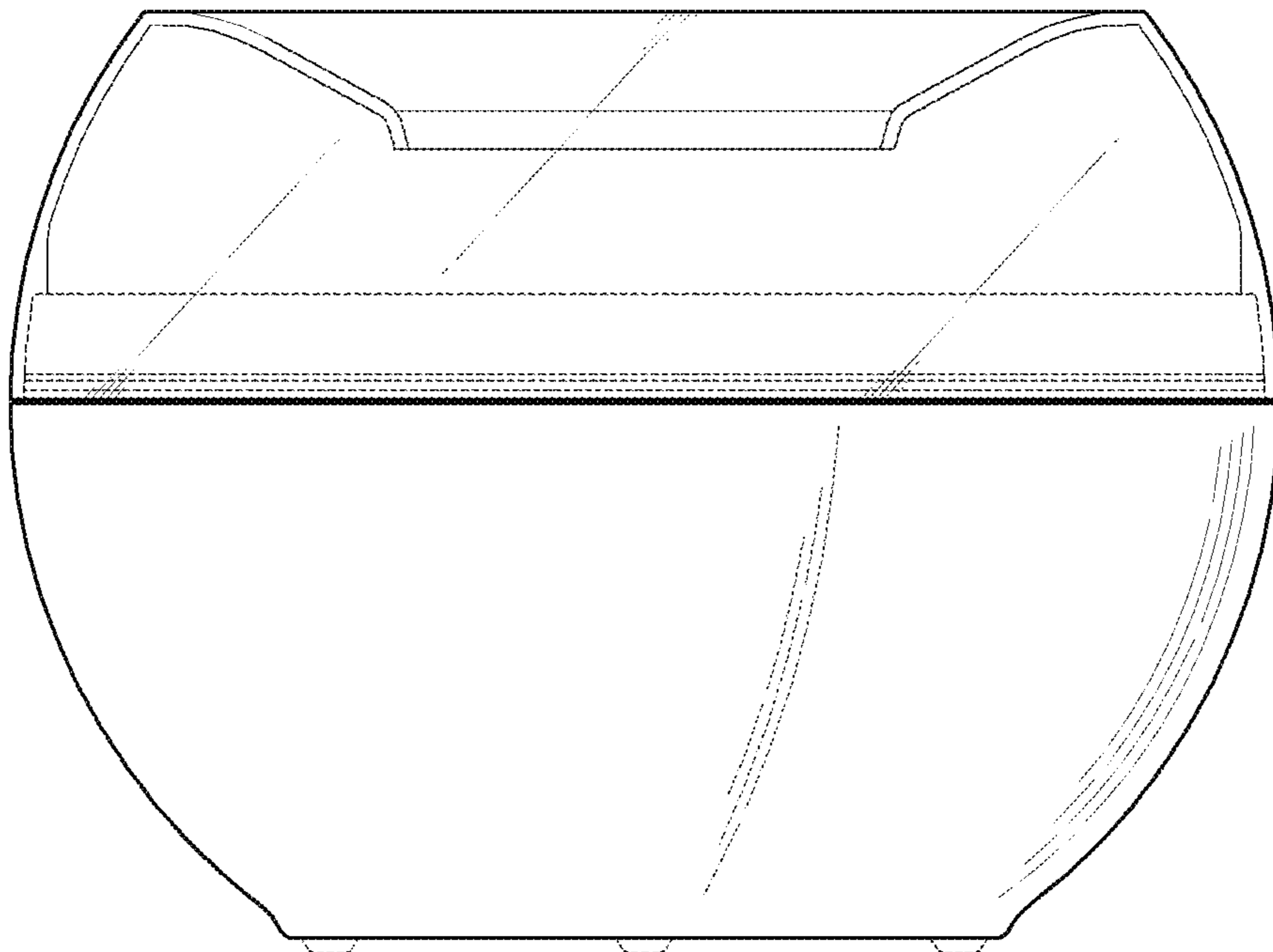


FIG. 3

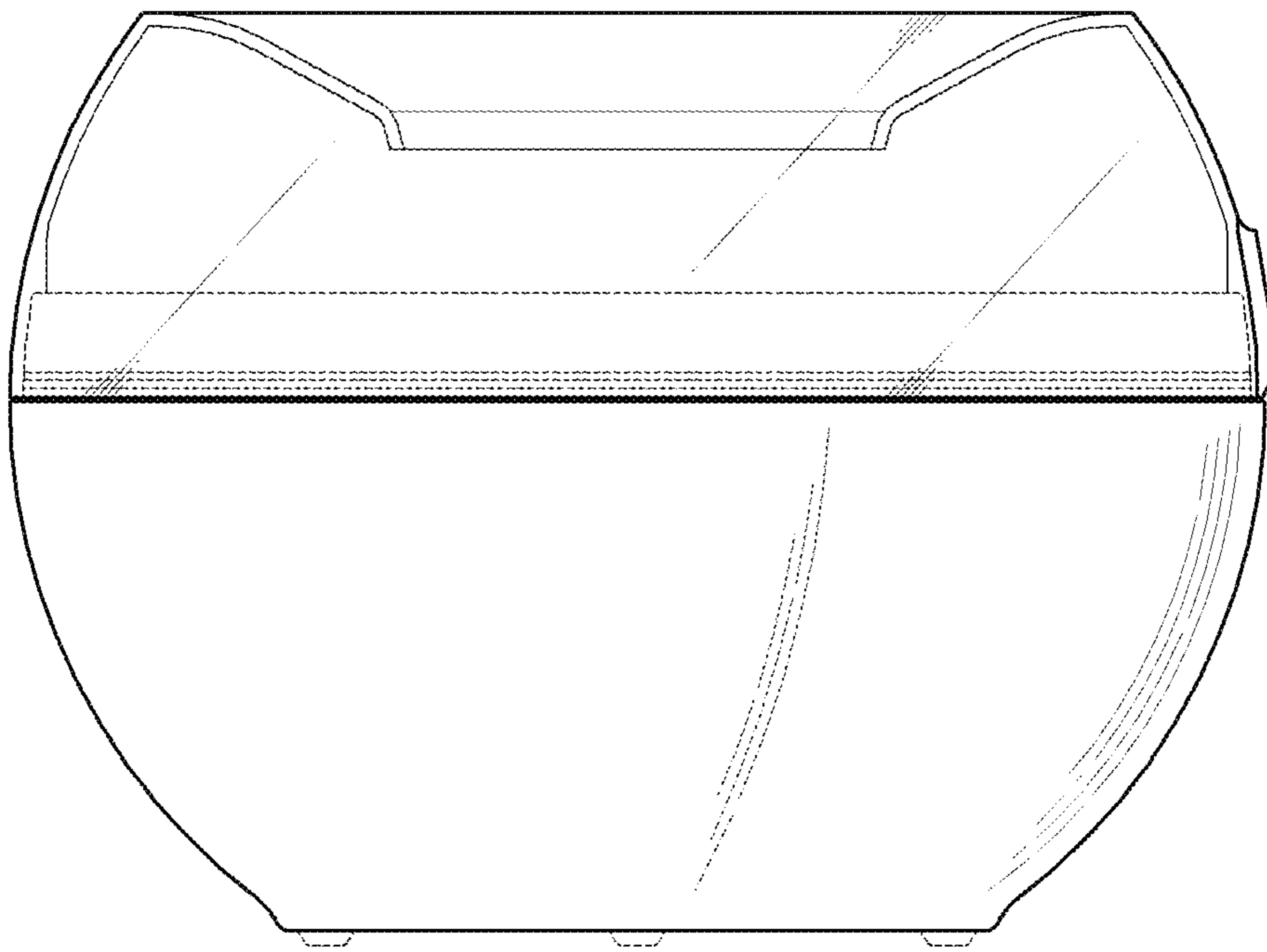


FIG. 4

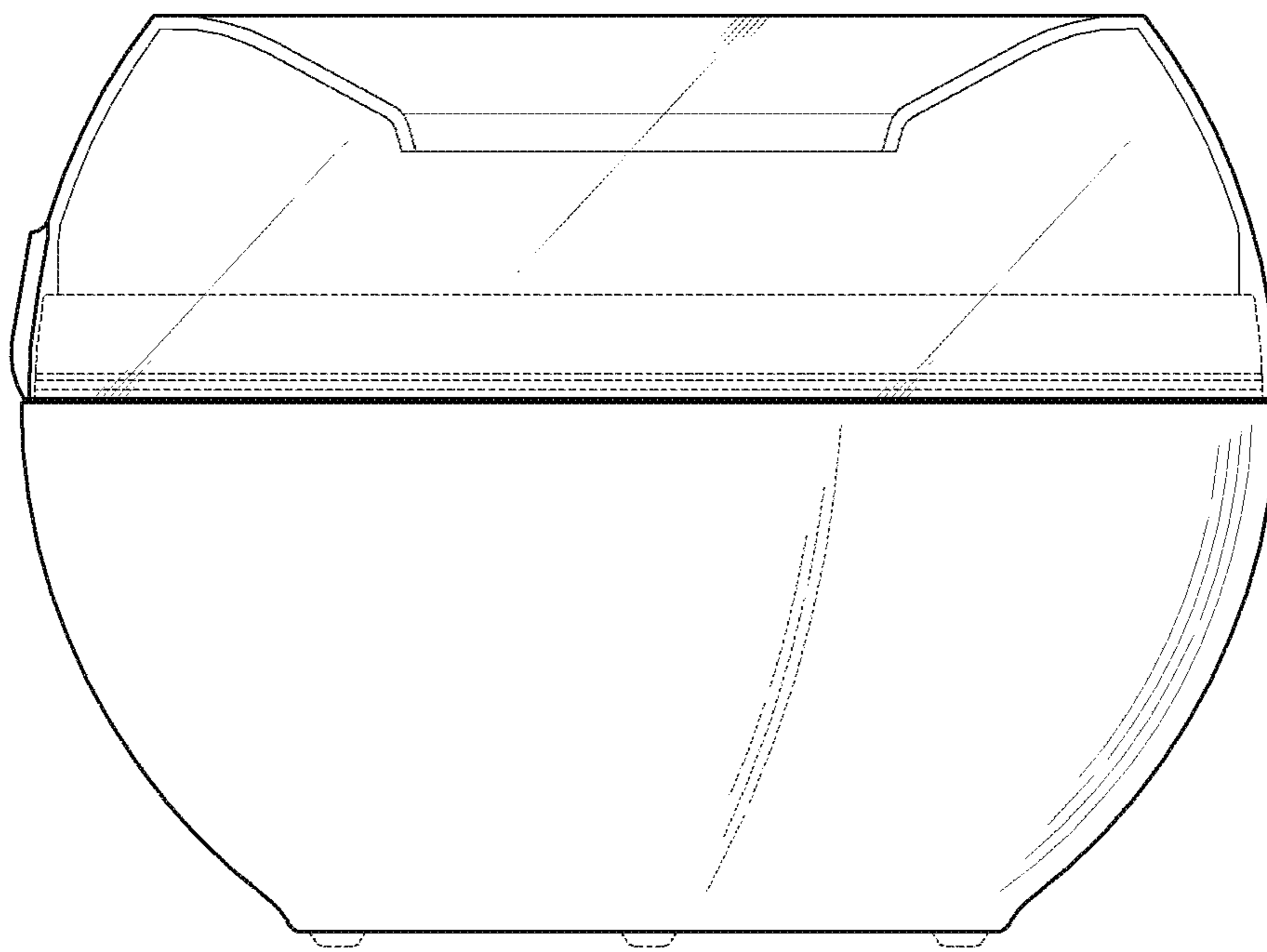


FIG. 5

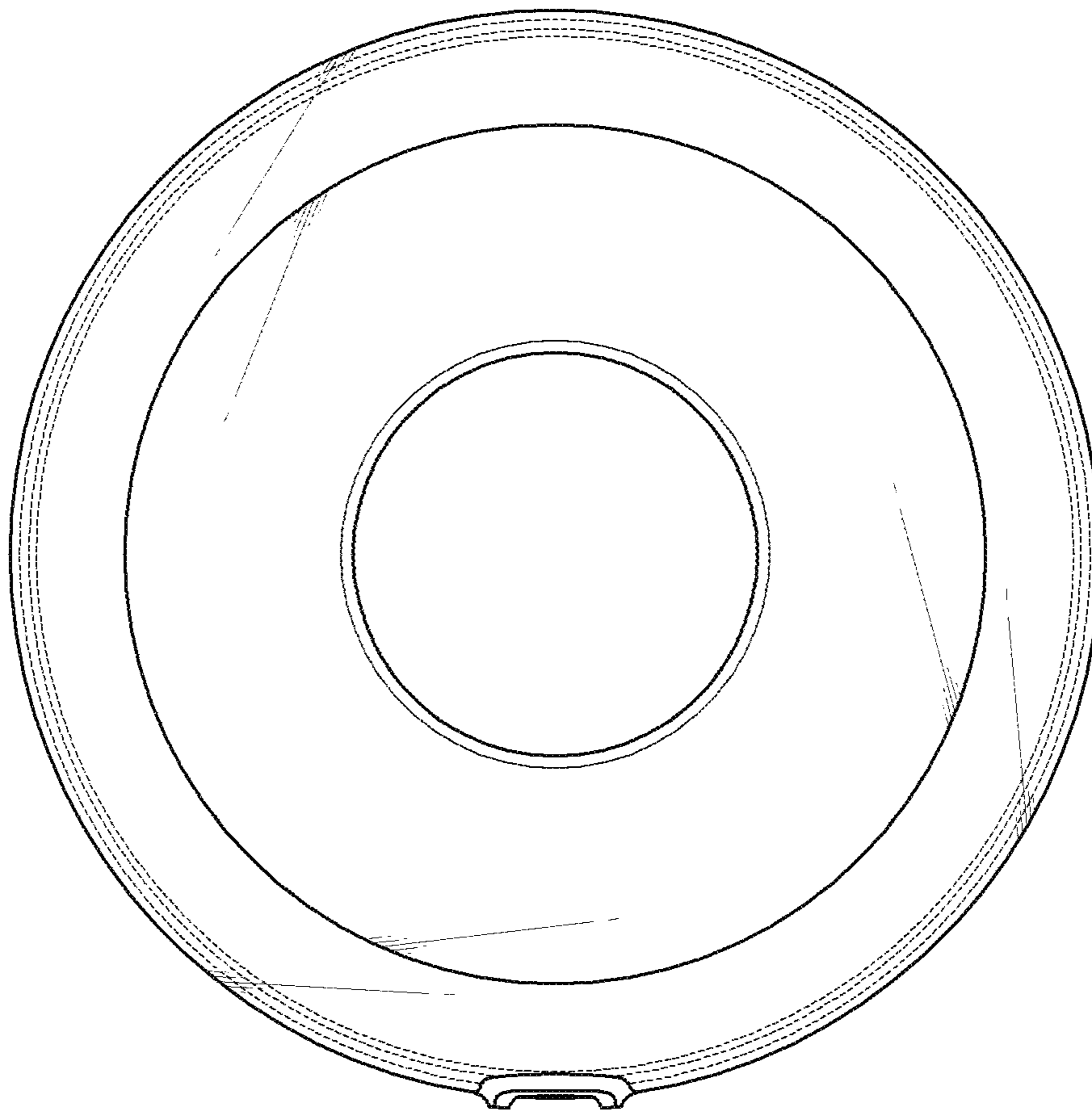


FIG. 6

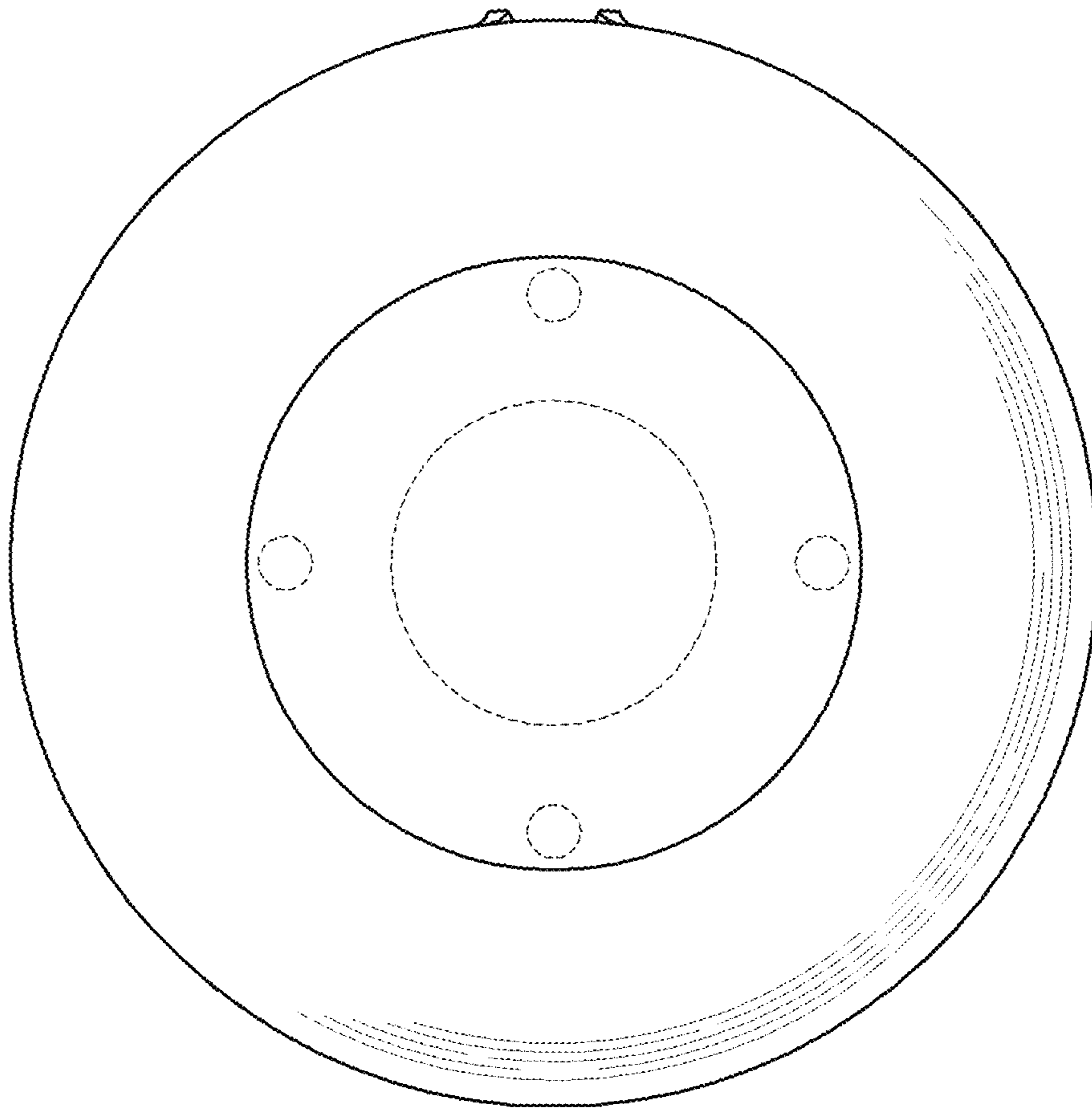


FIG. 7