

US00D800284S

(12) **United States Design Patent**
Fujigaya et al.

(10) **Patent No.:** **US D800,284 S**

(45) **Date of Patent:** **** Oct. 17, 2017**

(54) **AIR CONDITIONER**

(71) Applicant: **MITSUBISHI ELECTRIC CORPORATION**, Tokyo (JP)

(72) Inventors: **Yusuke Fujigaya**, Tokyo (JP); **Yoko Kusuki**, Tokyo (JP)

(73) Assignee: **Mitsubishi Electric Corporation**, Tokyo (JP)

(**) Term: **15 Years**

(21) Appl. No.: **29/569,534**

(22) Filed: **Jun. 28, 2016**

(30) **Foreign Application Priority Data**

Jan. 7, 2016 (JP) 2016-000202

(51) **LOC (10) Cl.** **23-04**

(52) **U.S. Cl.**
USPC **D23/351**

(58) **Field of Classification Search**

USPC D23/333, 335, 341, 342, 351, 353, 354,
D23/355, 356, 359, 364, 365, 370, 385,
D23/386, 388, 393

CPC F24F 1/00; F24F 1/0007; F24F 1/02; F24F
1/08; F24F 1/42; F24F 1/56; F24F 1/60;
F24F 3/044; F24F 3/048; F24F 3/16;
F24F 7/00; F24F 7/04; F24F 12/001;
F24F 12/006

See application file for complete search history.

(56) **References Cited**

U.S. PATENT DOCUMENTS

D565,158 S * 3/2008 Nagahori D23/351
D579,095 S * 10/2008 Nagahori D23/351

D621,018 S * 8/2010 Nagahori D23/351
D621,920 S * 8/2010 Yamana D23/351
D667,095 S * 9/2012 Yamana D23/351
D688,780 S * 8/2013 Nakai D23/351
D689,179 S * 9/2013 Nishiguchi D23/351
D699,825 S * 2/2014 Ikeda D23/351
D720,059 S * 12/2014 Niki D23/351
D720,060 S * 12/2014 Murai D23/351
D720,445 S * 12/2014 Murai D23/351
D760,882 S * 7/2016 Park D23/351
D761,404 S * 7/2016 Chouji D23/351
D761,405 S * 7/2016 Chouji D23/351
D761,406 S * 7/2016 Zhang D23/351
D763,421 S * 8/2016 Saitou D23/351

* cited by examiner

Primary Examiner — George D. Kirschbaum

Assistant Examiner — Natasha Vujcic

(74) *Attorney, Agent, or Firm* — Studebaker & Bracket
PC

(57) **CLAIM**

The ornamental design for an air conditioner, as shown and described.

DESCRIPTION

FIG. 1 is a perspective view of the front, right and bottom sides of an air conditioner showing our new design;

FIG. 2 is a front view thereof;

FIG. 3 is a rear view thereof;

FIG. 4 is a left side view thereof;

FIG. 5 is a right side view thereof;

FIG. 6 is a top view thereof; and,

FIG. 7 is a bottom view thereof.

1 Claim, 6 Drawing Sheets

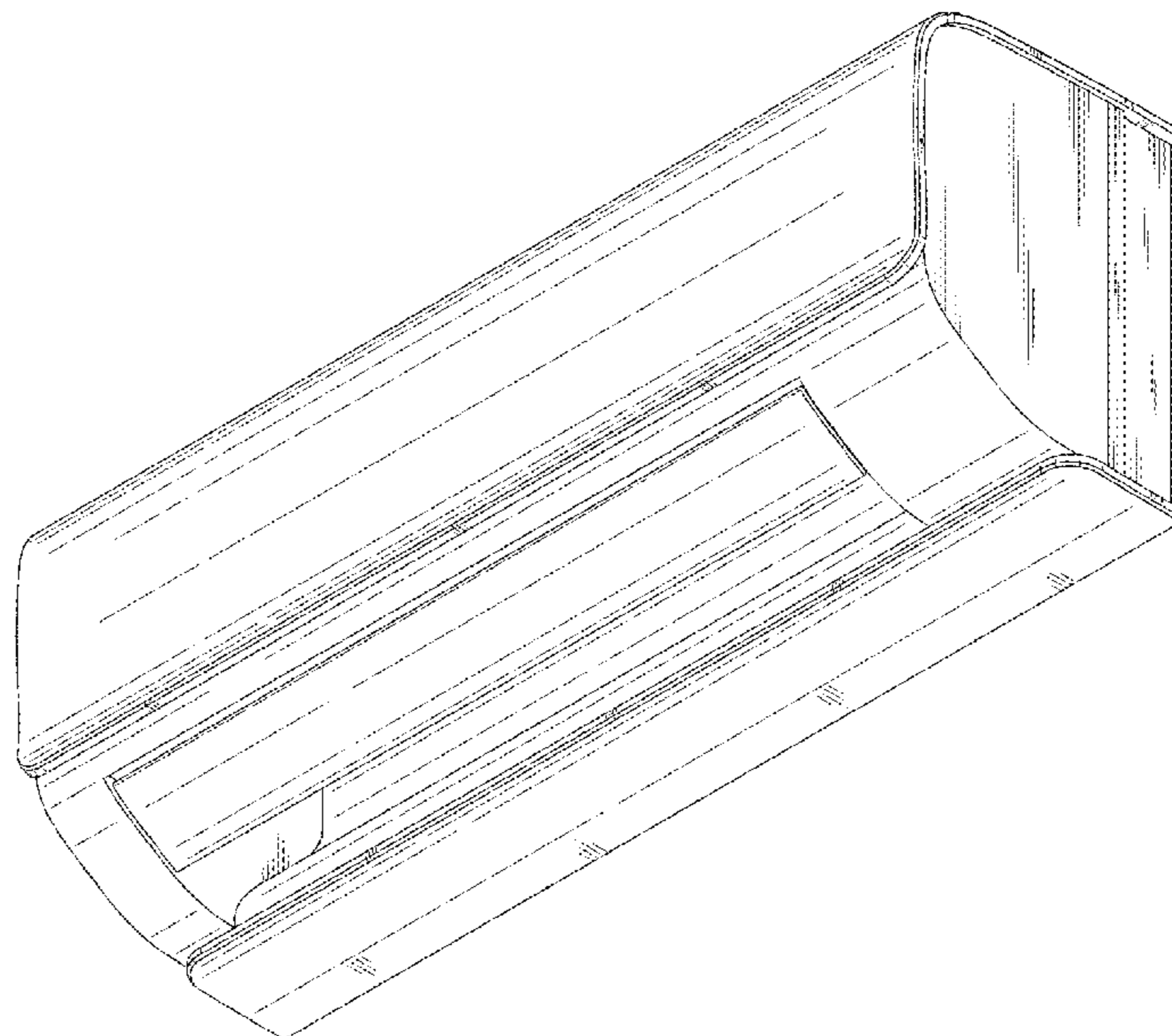


Fig. 1

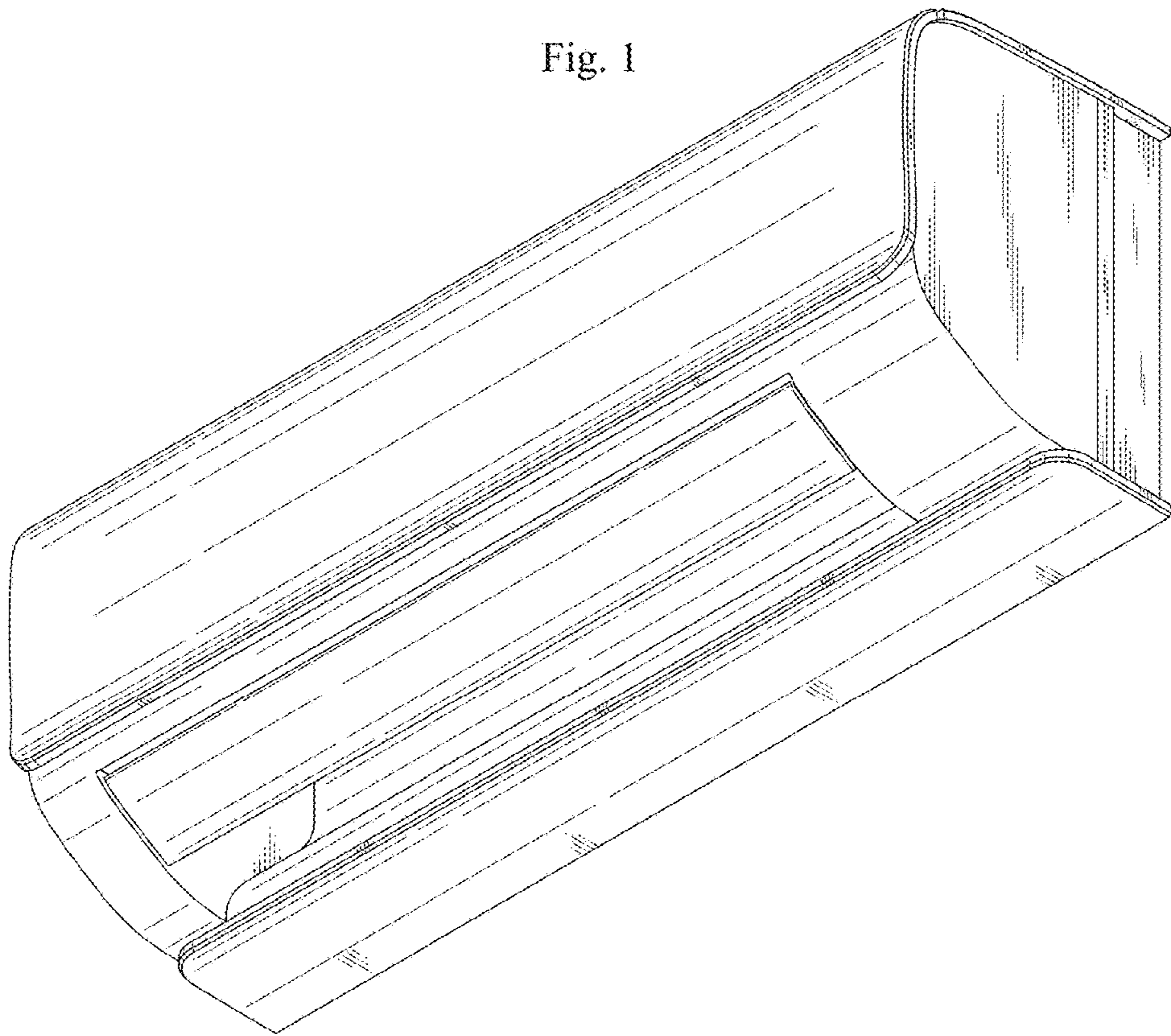


Fig. 2

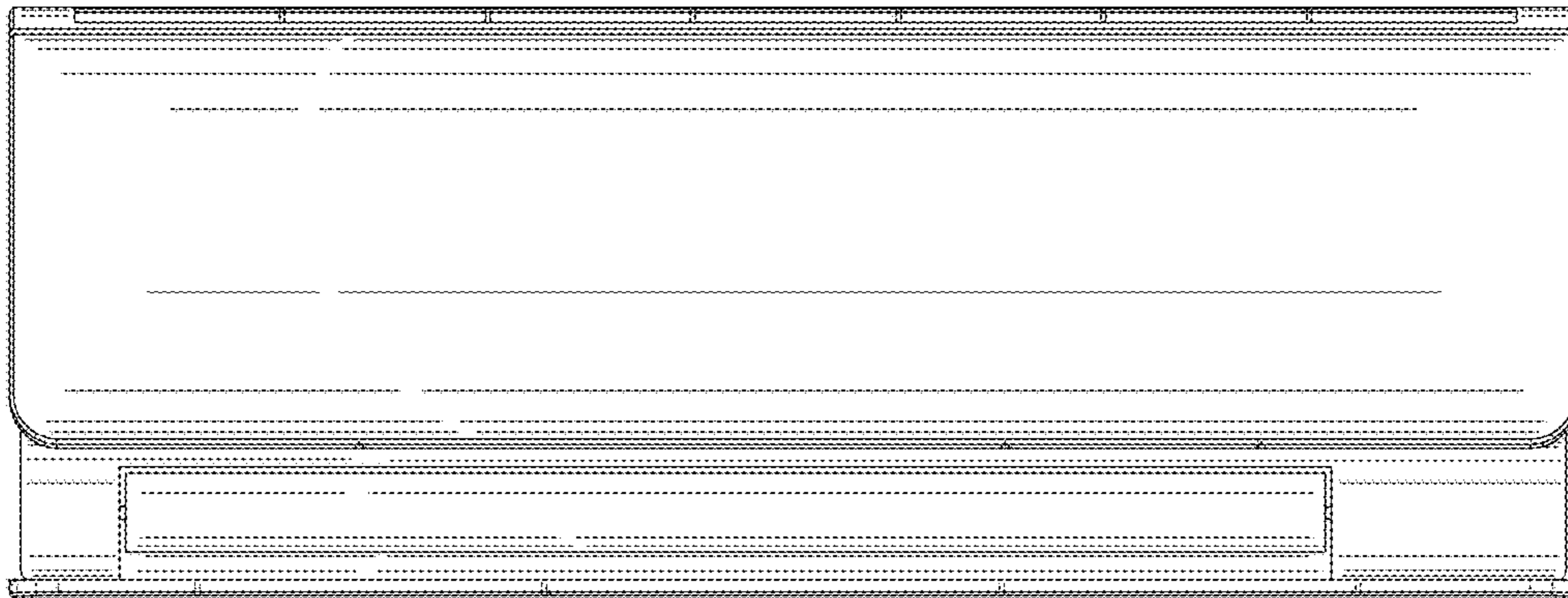


Fig. 3

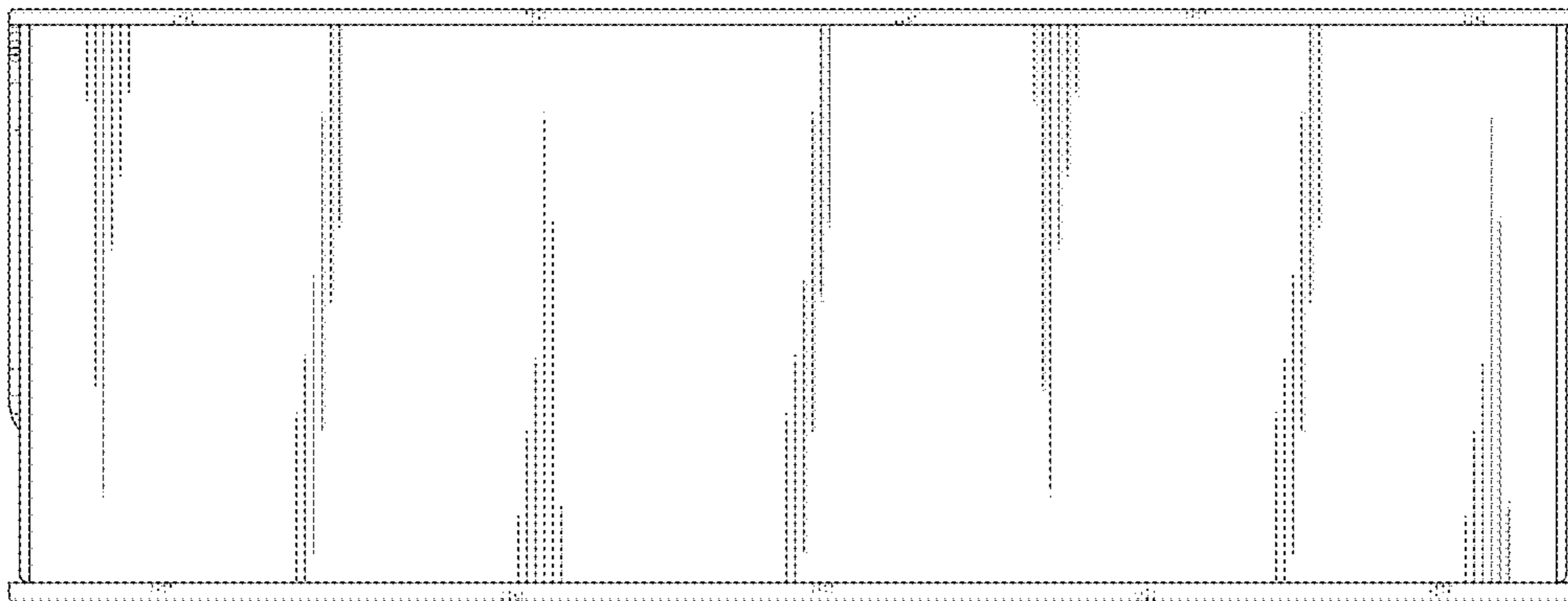


Fig. 4

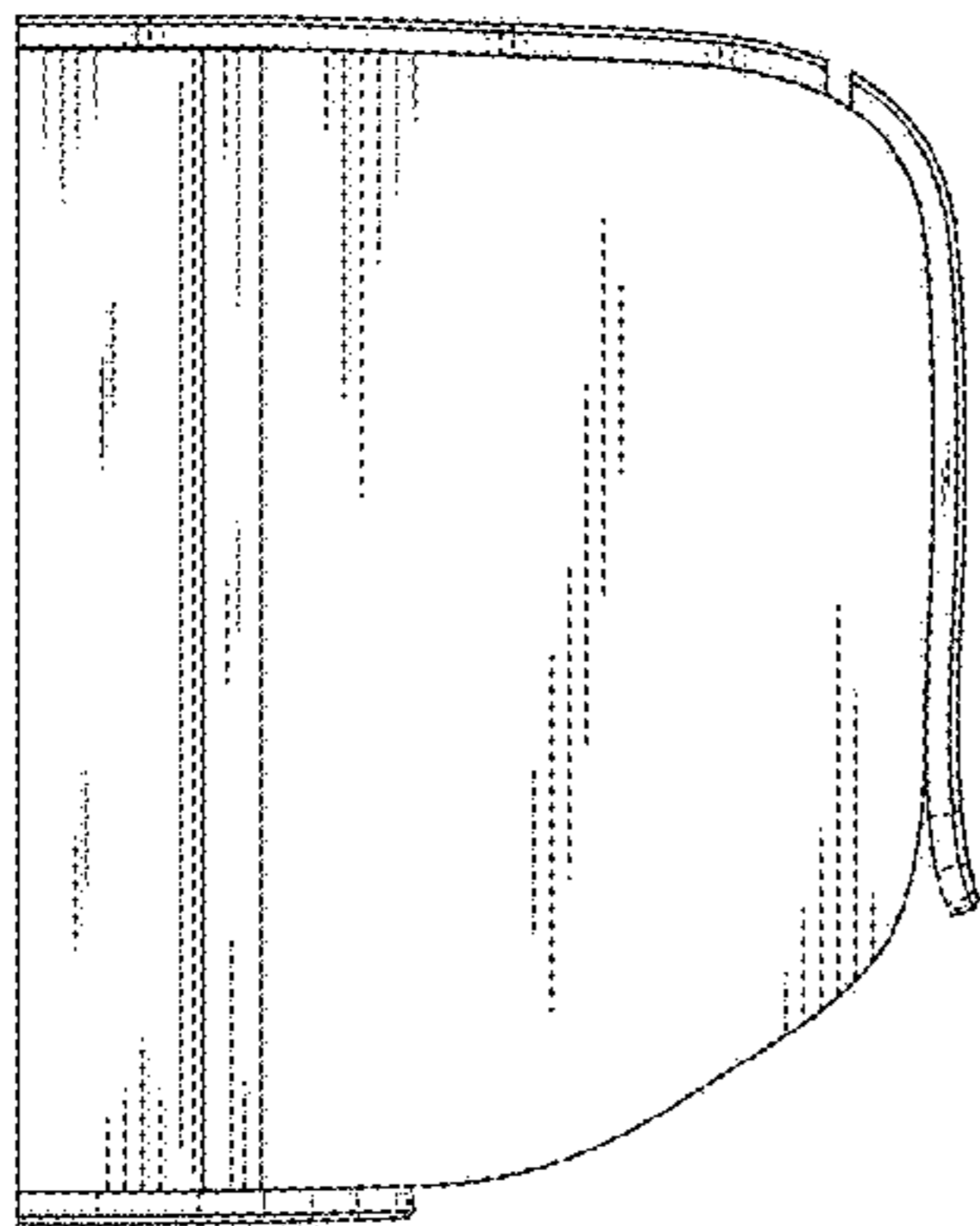


Fig. 5

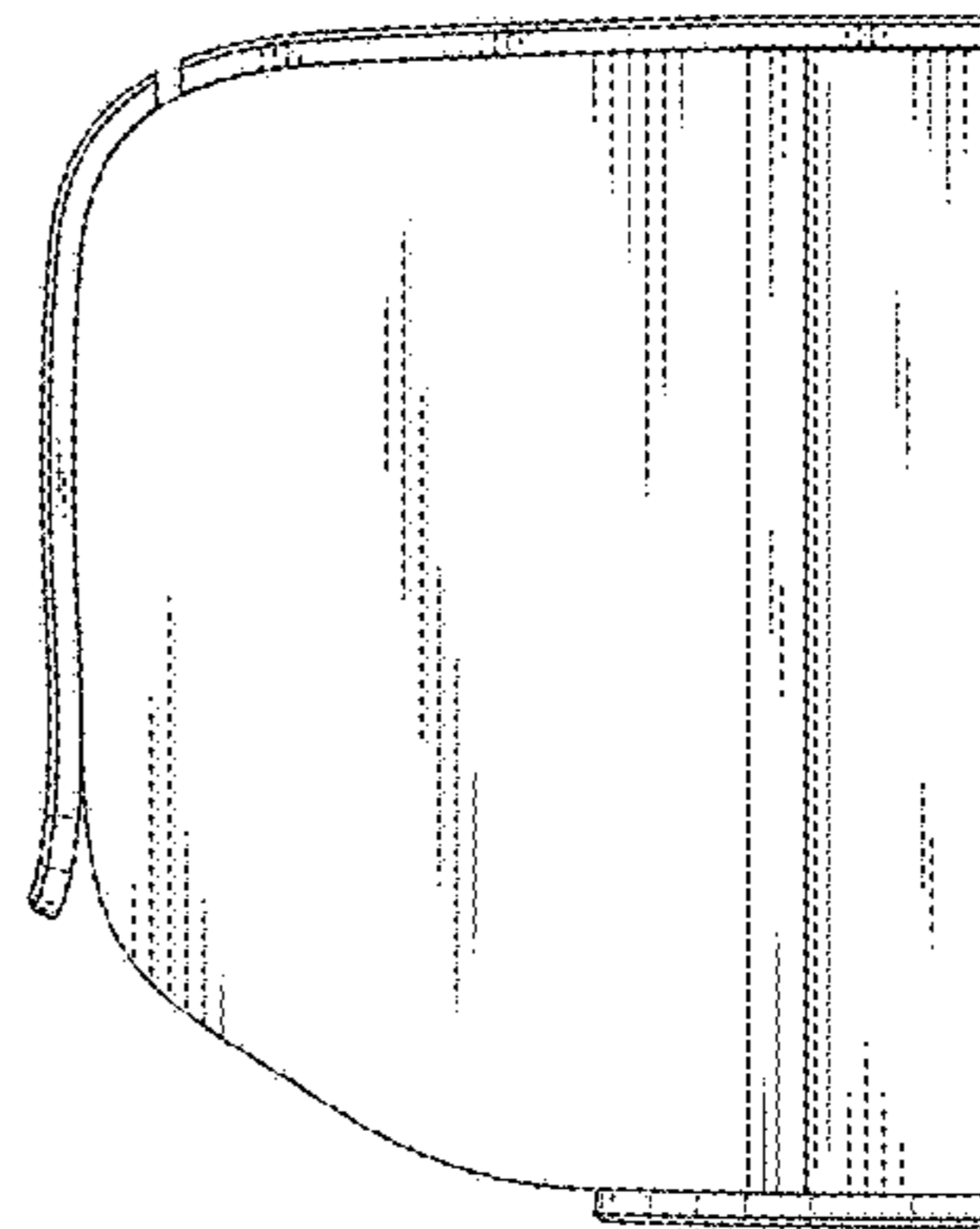


Fig. 6

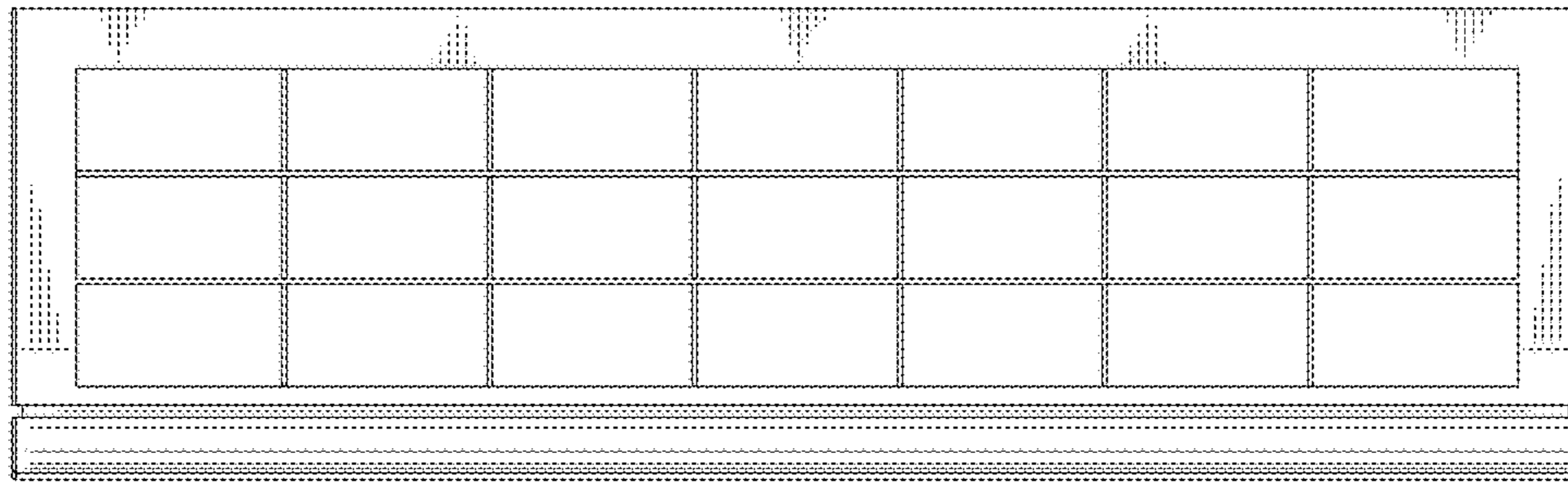


Fig. 7

