



US00D800283S

(12) **United States Design Patent** (10) **Patent No.:** **US D800,283 S**
Boxum et al. (45) **Date of Patent:** **** Oct. 17, 2017**

(54) **HOUSINGS FOR AIR CONDITIONING APPARATUS**

(71) Applicant: **Zehnder Group International AG**, Gränichen (CH)

(72) Inventors: **Erik Boxum**, Meppel (NL); **Martijn Haddeman**, Heerde (NL)

(73) Assignee: **Zehnder Group International AG**, Gränichen (CH)

(**) Term: **15 Years**

(21) Appl. No.: **29/539,110**

(22) Filed: **Sep. 10, 2015**

(30) **Foreign Application Priority Data**

Mar. 10, 2015 (WO) DM085 855

(51) **LOC (10) Cl.** **23-04**

(52) **U.S. Cl.**
USPC **D23/351**

(58) **Field of Classification Search**
USPC D23/314, 323, 327, 370; 137/599.03
CPC . F16K 11/06; F16K 11/11; F24F 11/04; F24F 13/04
See application file for complete search history.

(56) **References Cited**

U.S. PATENT DOCUMENTS

D152,316 S *	1/1949	Bergstrom	D23/327
3,973,590 A *	8/1976	Logsdon	F16K 11/16 137/599.03
D340,109 S *	10/1993	Julien	D23/370
D366,522 S *	1/1996	Lagace	D23/370
D376,842 S *	12/1996	Franklin	D23/314
D476,073 S *	6/2003	Bourgeois	D23/370
D702,824 S *	4/2014	Martel	D23/323

OTHER PUBLICATIONS

LG Squared Inc. [online]Retrieved on May 3, 2016 from URL: <http://lgsquaredinc.com/2013/03/26/serenbe-modern-proud-green-home-update-heating-ventilation-air-conditioning-syste/modern-proud-green-home-update-heating-ventilation-air-conditioning-erv-equipment-comfoair-350-exchanger/>.*

* cited by examiner

Primary Examiner — Manpreet Matharu

Assistant Examiner — Keith Wilson

(74) *Attorney, Agent, or Firm* — Advitam IP, LLC

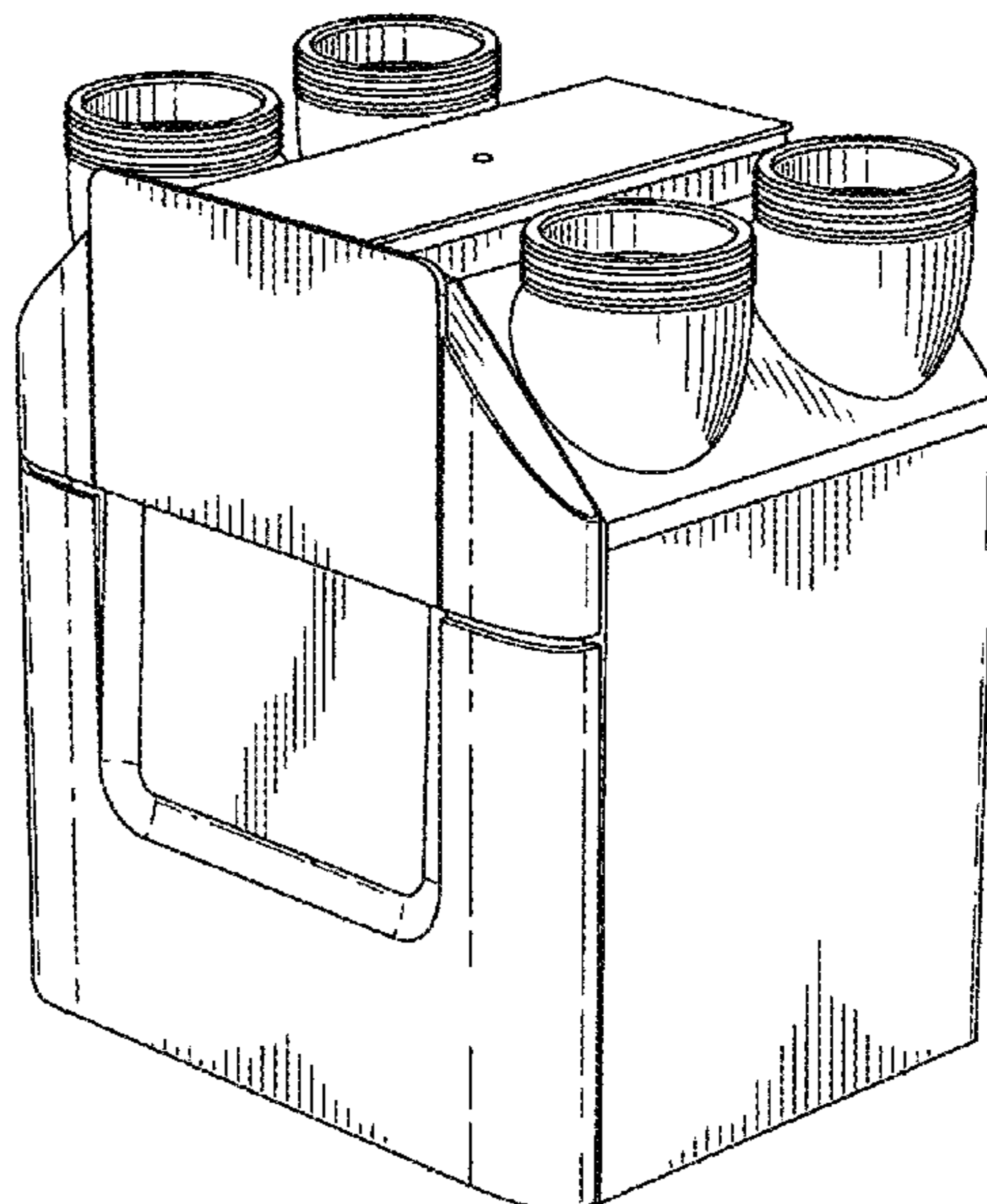
(57) **CLAIM**

The ornamental design for housings for air conditioning apparatus, as shown and described.

DESCRIPTION

FIG. 1 is a perspective view of one embodiment of the housings for air conditioning apparatus;
FIG. 2 is a front view of the housings for air conditioning apparatus;
FIG. 3 is a rear view of the housings for air conditioning apparatus;
FIG. 4 is a right side view of the housings for air conditioning apparatus;
FIG. 5 is a left side view of the housings for air conditioning apparatus;
FIG. 6 is a top view of the housings for air conditioning apparatus; and,
FIG. 7 is a bottom view of the housings for air conditioning apparatus.
The broken lines showing of items in FIG. 6 depict portions of the article that form no part of the claimed design.

1 Claim, 5 Drawing Sheets



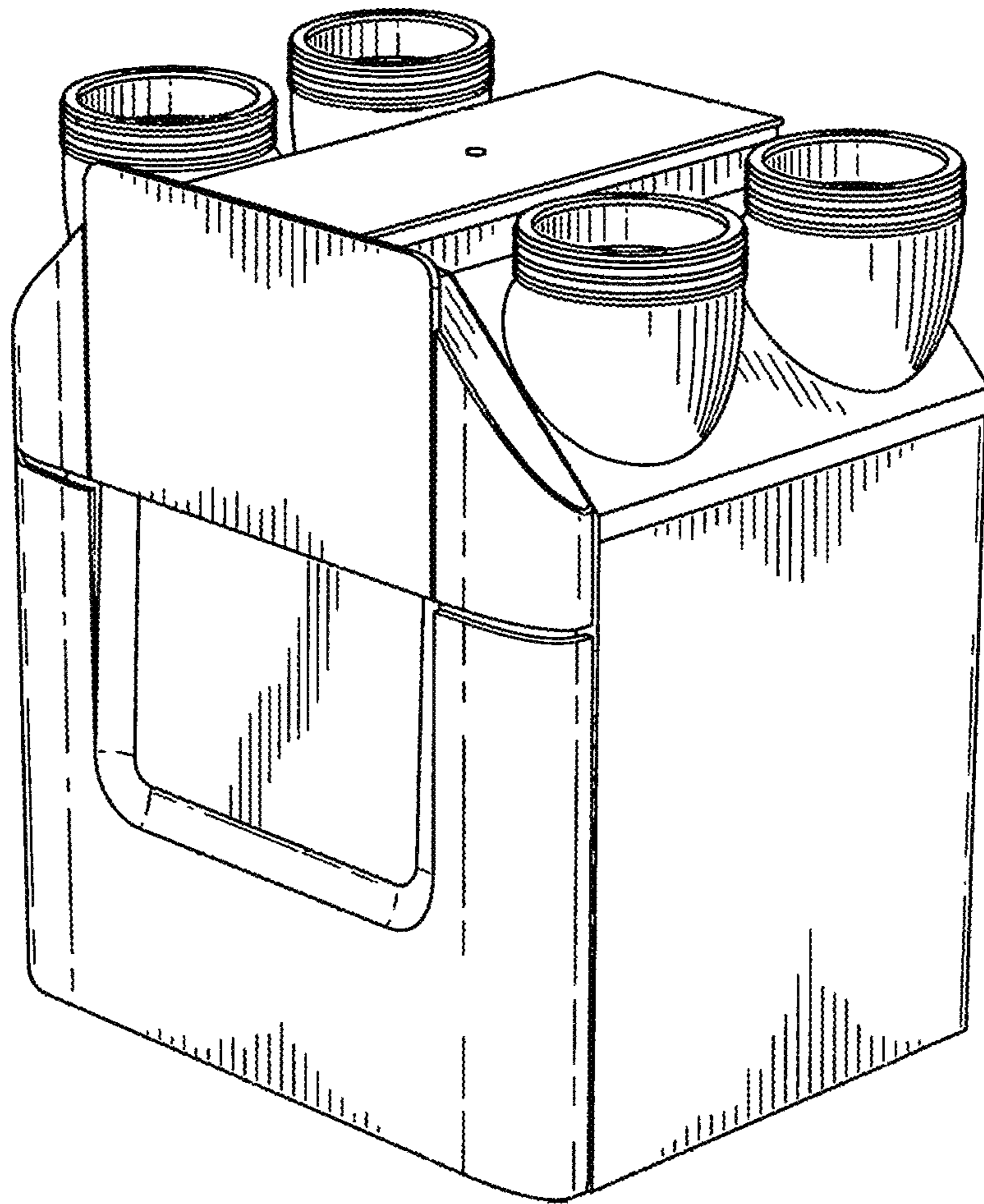


FIG. 1

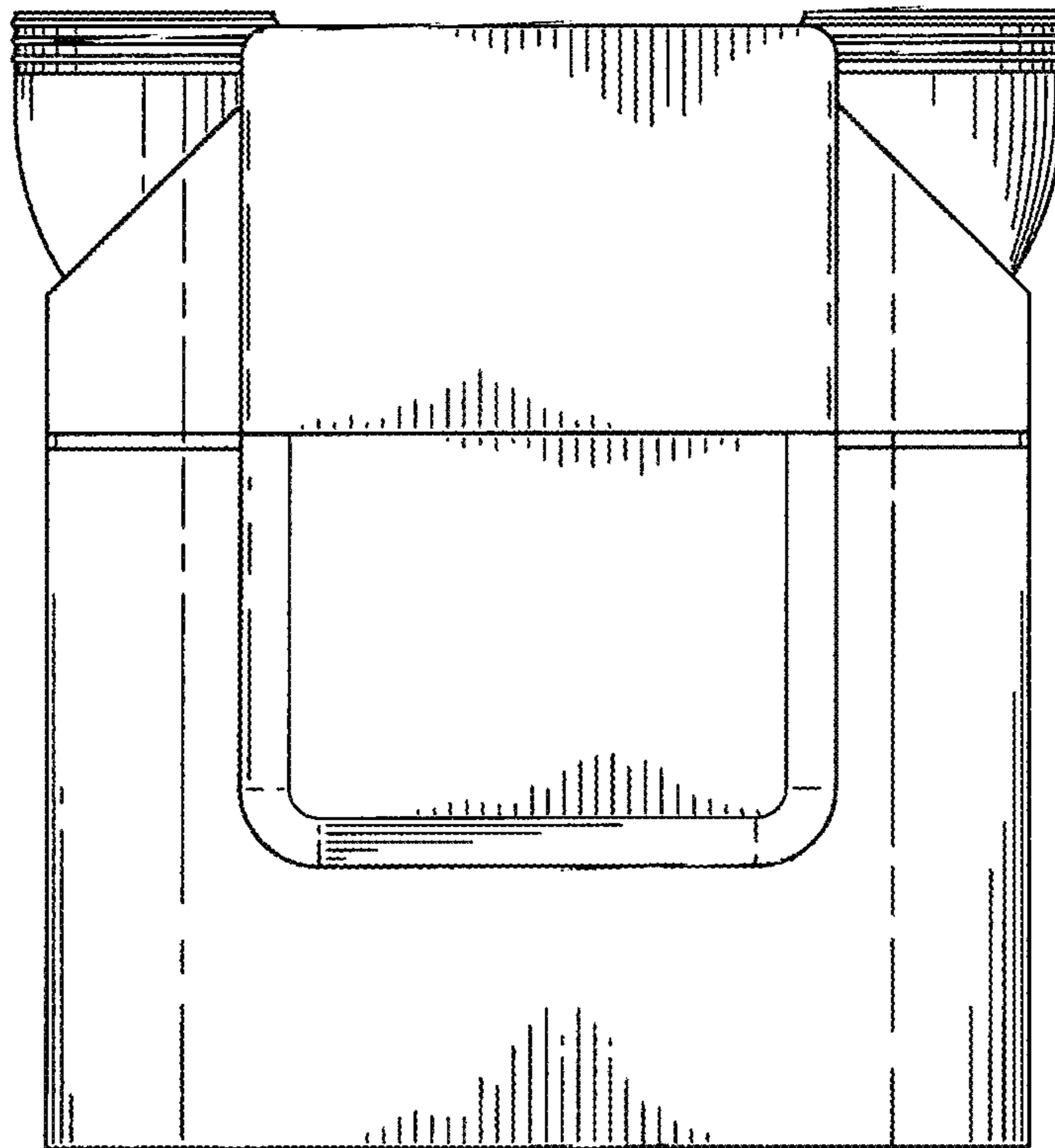


FIG. 2

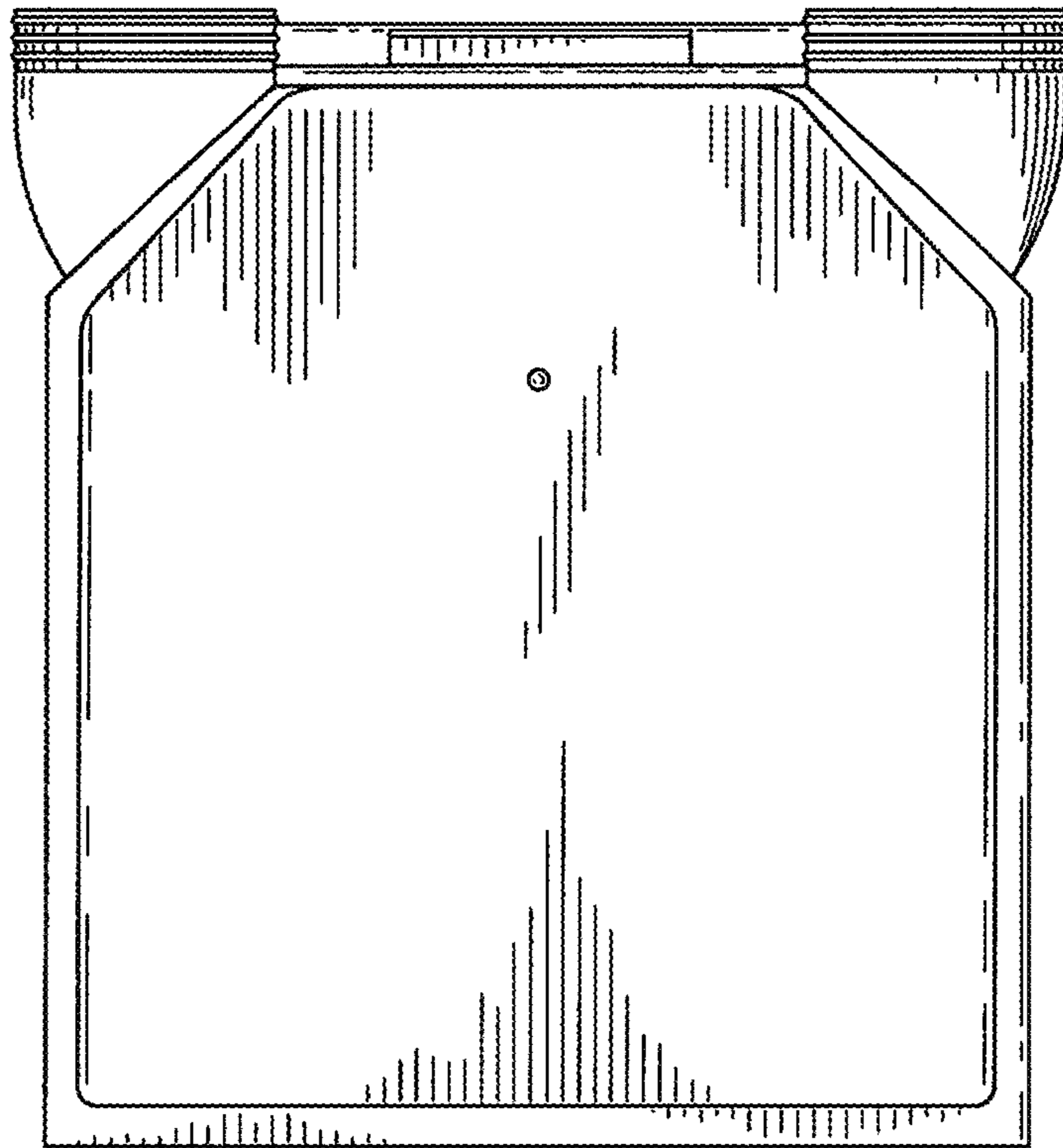


FIG. 3

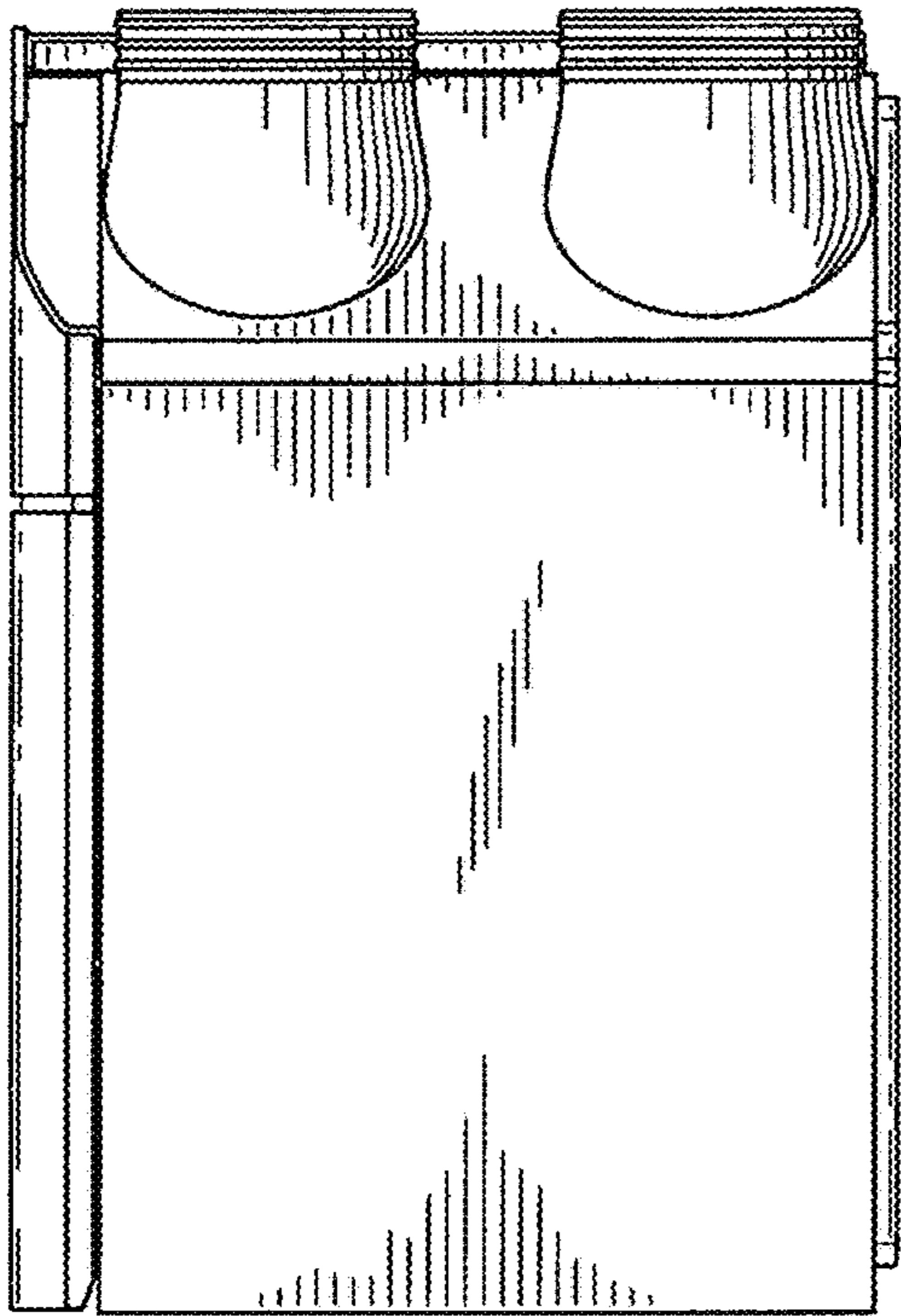


FIG. 4

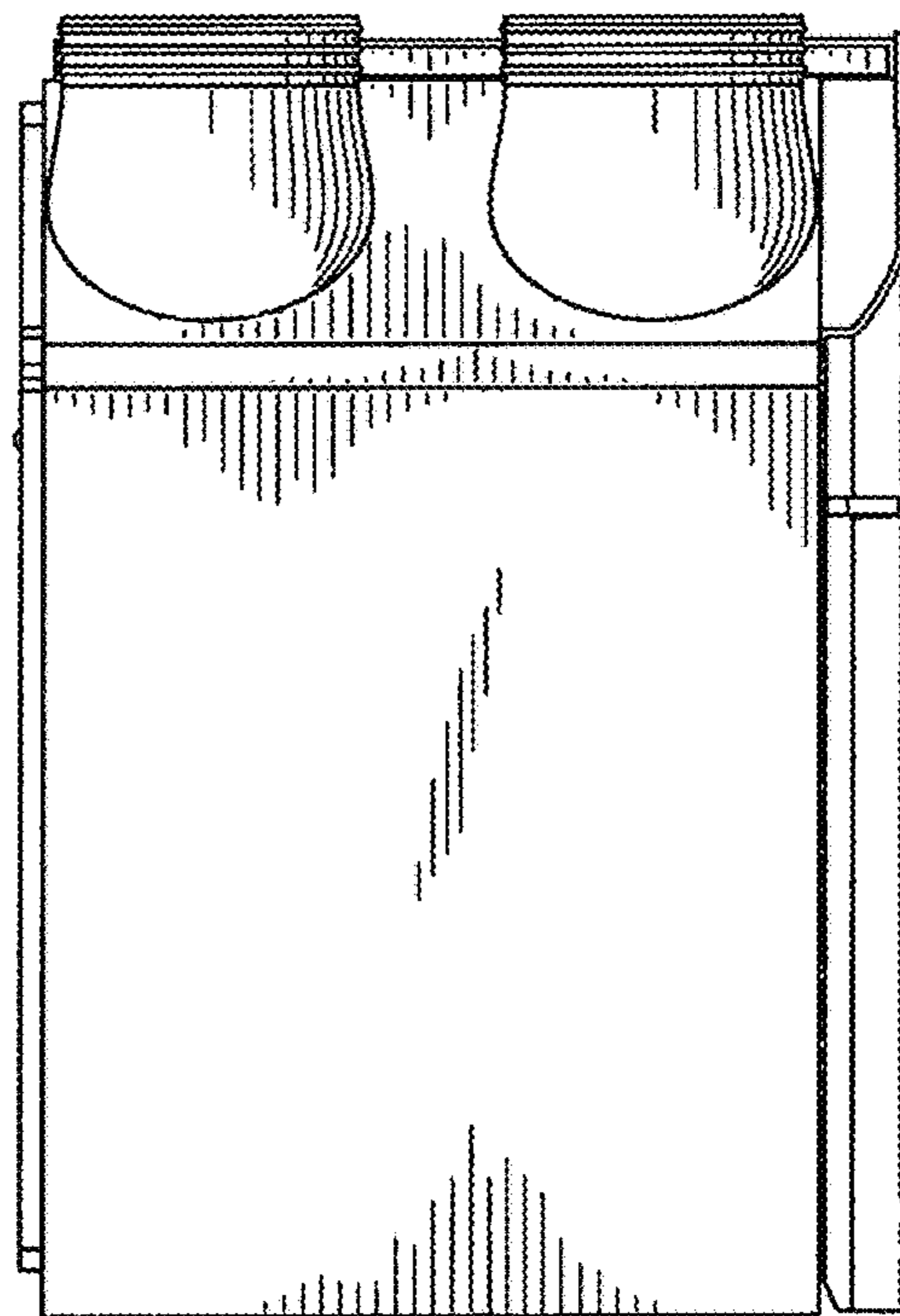


FIG. 5

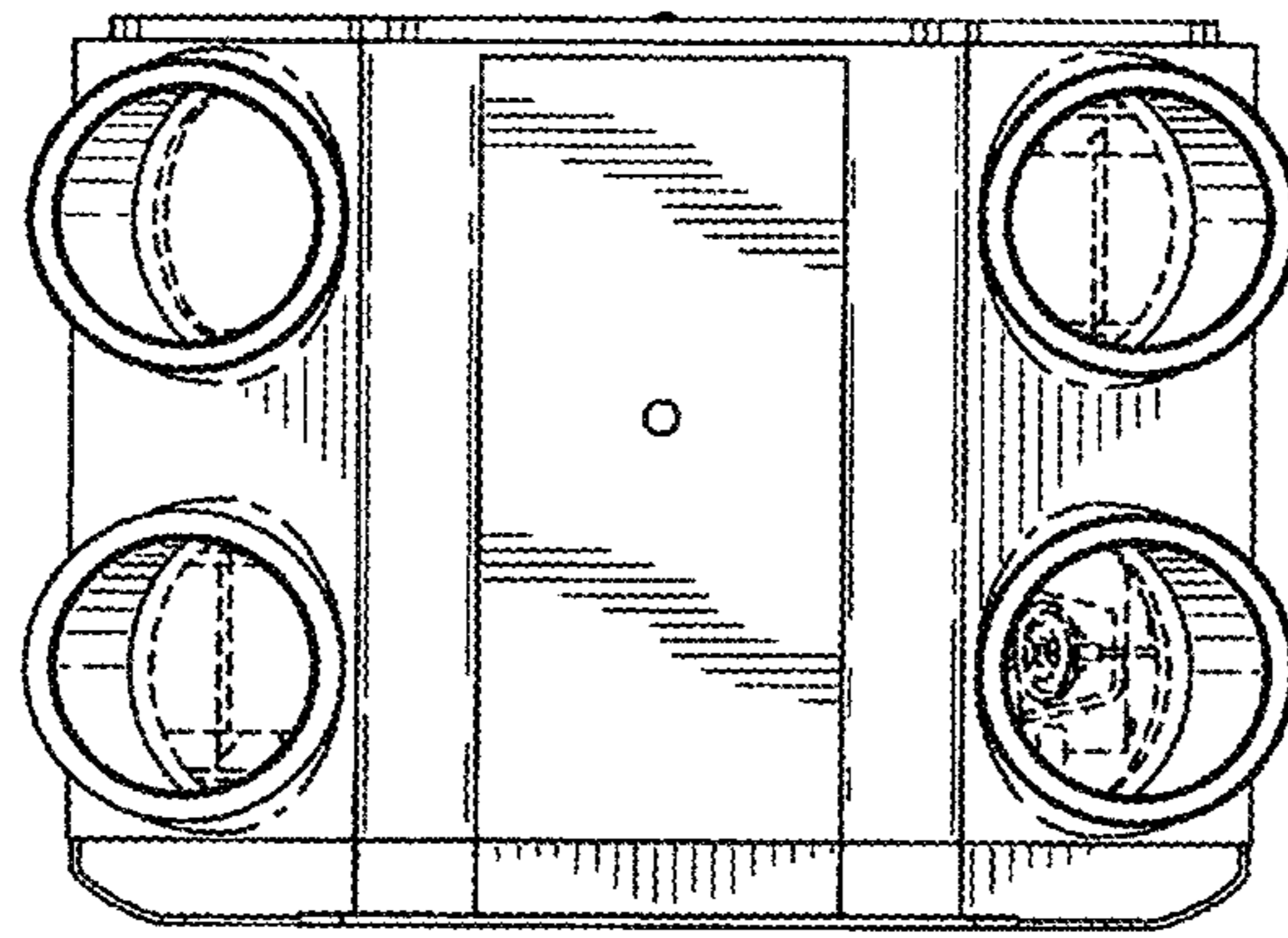


FIG. 6

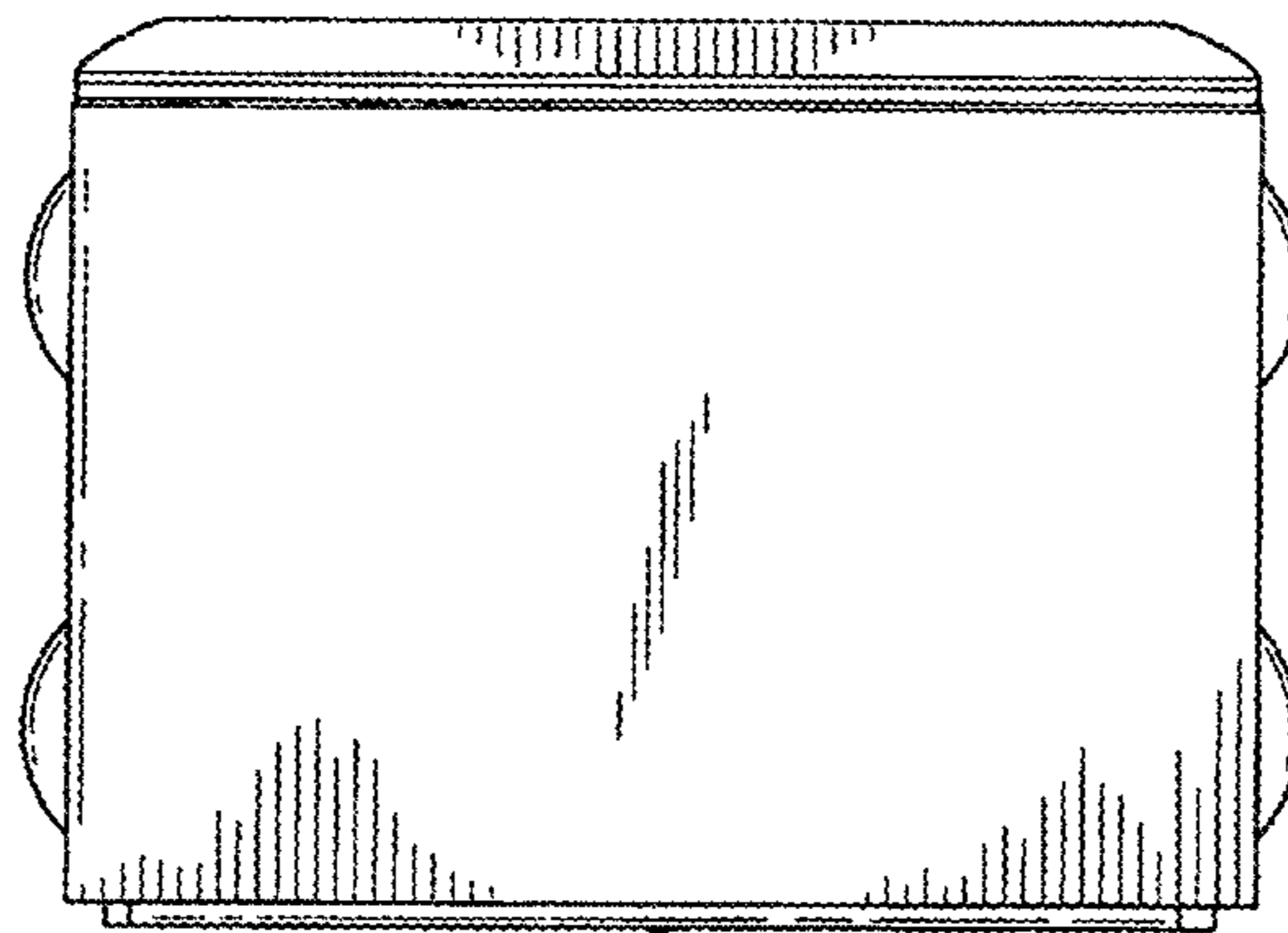


FIG. 7