



US00D800281S

(12) **United States Design Patent**
Bahler

(10) **Patent No.:** **US D800,281 S**

(45) **Date of Patent:** **** Oct. 17, 2017**

(54) **TOILET**

(71) Applicant: **DELTA FAUCET COMPANY,**
Indianapolis, IN (US)

(72) Inventor: **Jordan Renee Bahler,** Frankfort, IN
(US)

(73) Assignee: **DELTA FAUCET COMPANY,**
Indianapolis, IN (US)

(**) Term: **15 Years**

(21) Appl. No.: **29/548,258**

(22) Filed: **Dec. 11, 2015**

(51) **LOC (10) Cl.** **23-02**

(52) **U.S. Cl.**
USPC **D23/301**

(58) **Field of Classification Search**
USPC D23/270, 295, 300, 301, 309, 311, 313,
D23/298, 299; 4/300, 353
CPC E03D 1/00; E03D 3/00; E03D 5/00; E03D
11/00
See application file for complete search history.

(56) **References Cited**

U.S. PATENT DOCUMENTS

D392,725 S * 3/1998 Garza D23/295
D472,619 S * 4/2003 Kawamura D23/301

D532,875 S * 11/2006 Kaule D23/301
D636,856 S * 4/2011 Wang D23/301
D672,019 S * 12/2012 Bucher D23/301
D690,402 S * 9/2013 Bates D23/301
D702,820 S * 4/2014 Spangler D23/301
D720,840 S * 1/2015 Garland D23/301
D750,762 S * 3/2016 Eads D23/301
D750,763 S * 3/2016 Eads D23/301
D751,680 S * 3/2016 McNinch D23/301
D763,416 S * 8/2016 Goad D23/301

* cited by examiner

Primary Examiner — Susan Bennett Hattan

Assistant Examiner — Rebecca Tsehaye

(74) *Attorney, Agent, or Firm* — Edgar A. Zarins; Nirav
D. Parikh

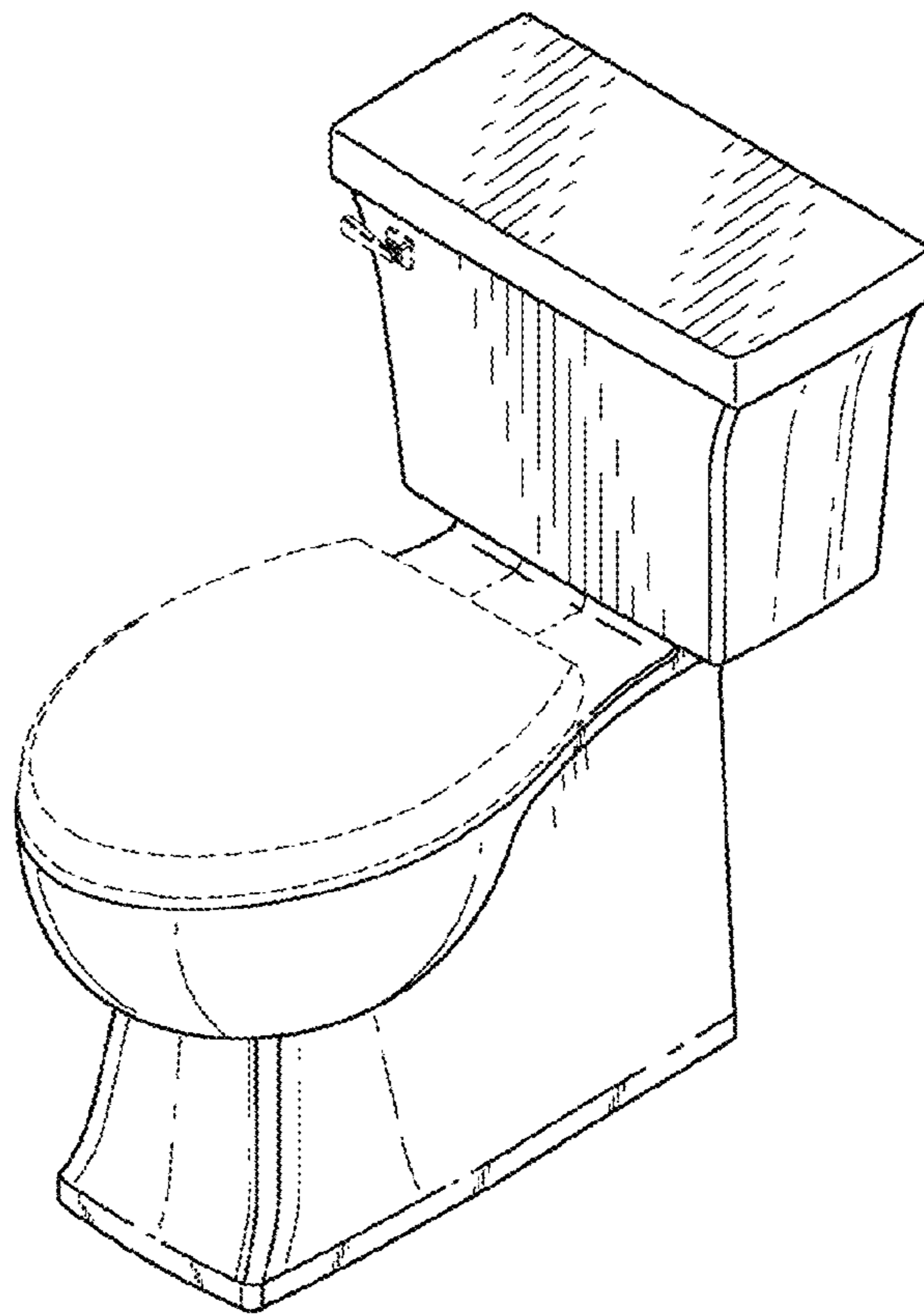
(57) **CLAIM**

The ornamental design for a toilet, as shown and described.

DESCRIPTION

FIG. 1 is a perspective view of a toilet showing my new design;
FIG. 2 is a top plan view thereof;
FIG. 3 is a bottom view thereof;
FIG. 4 is a left side view thereof, the opposite side being a mirror image of the side shown;
FIG. 5 is a front elevational view thereof; and,
FIG. 6 is a rear view thereof.

1 Claim, 2 Drawing Sheets



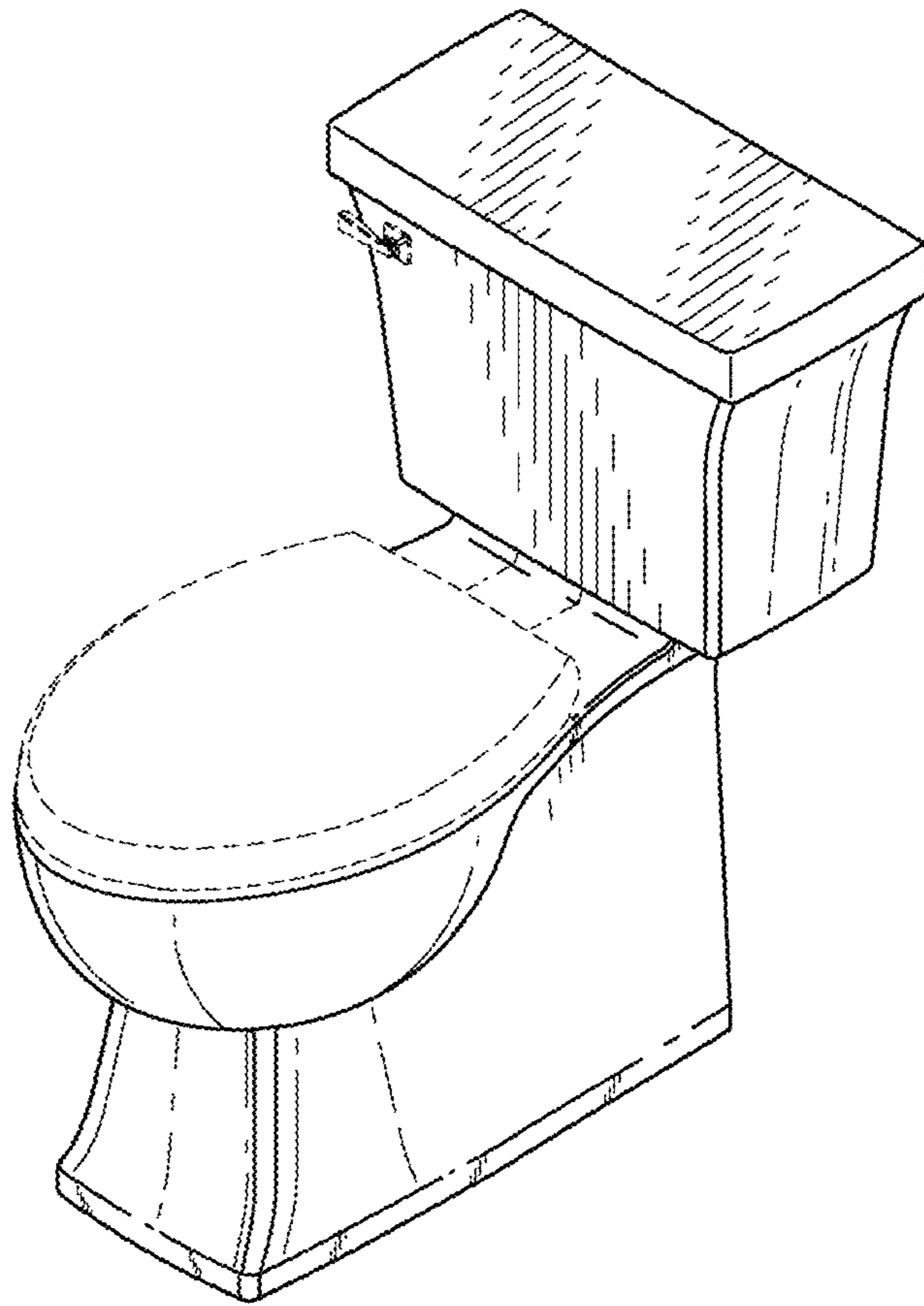


Fig-1

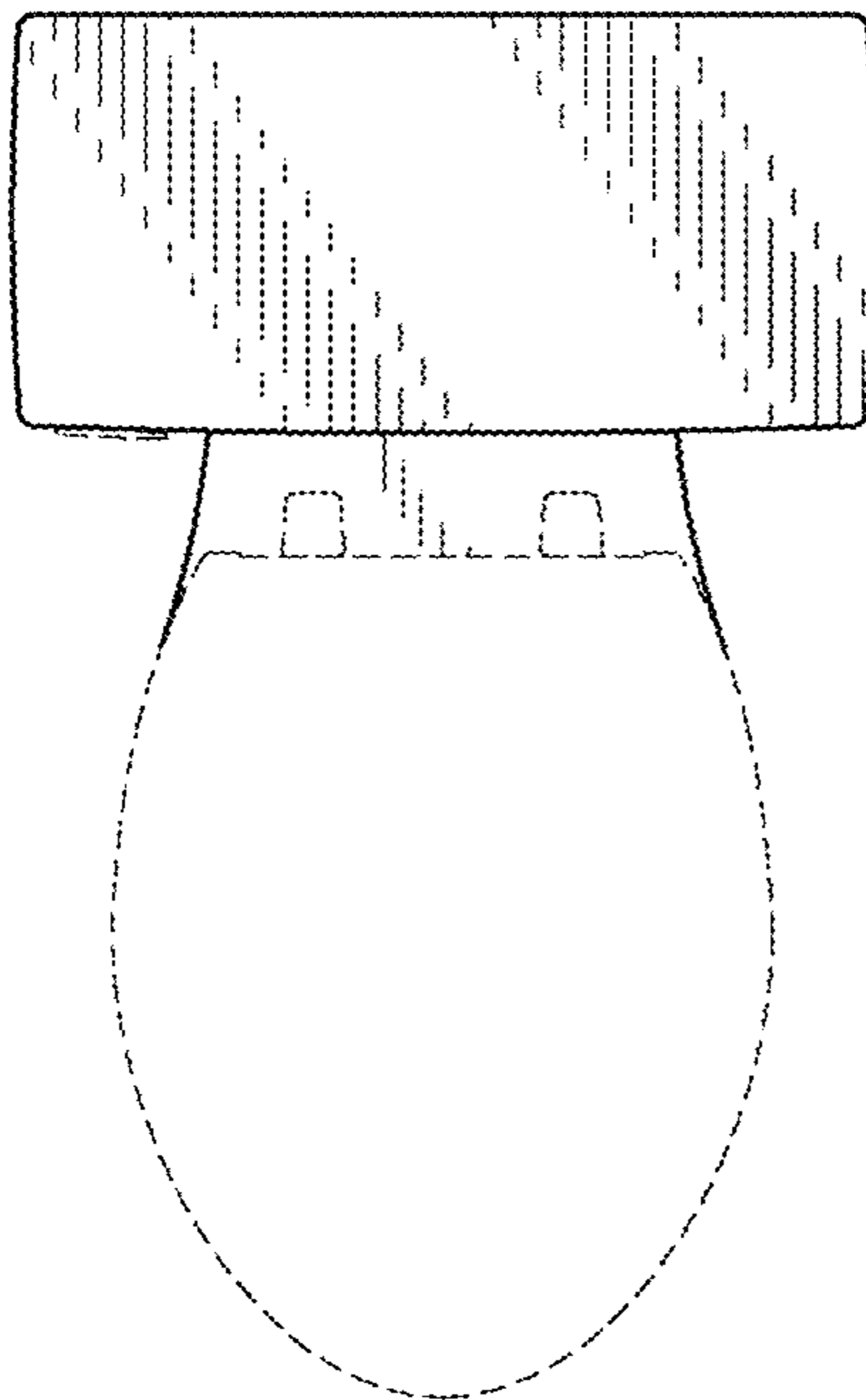


Fig-2

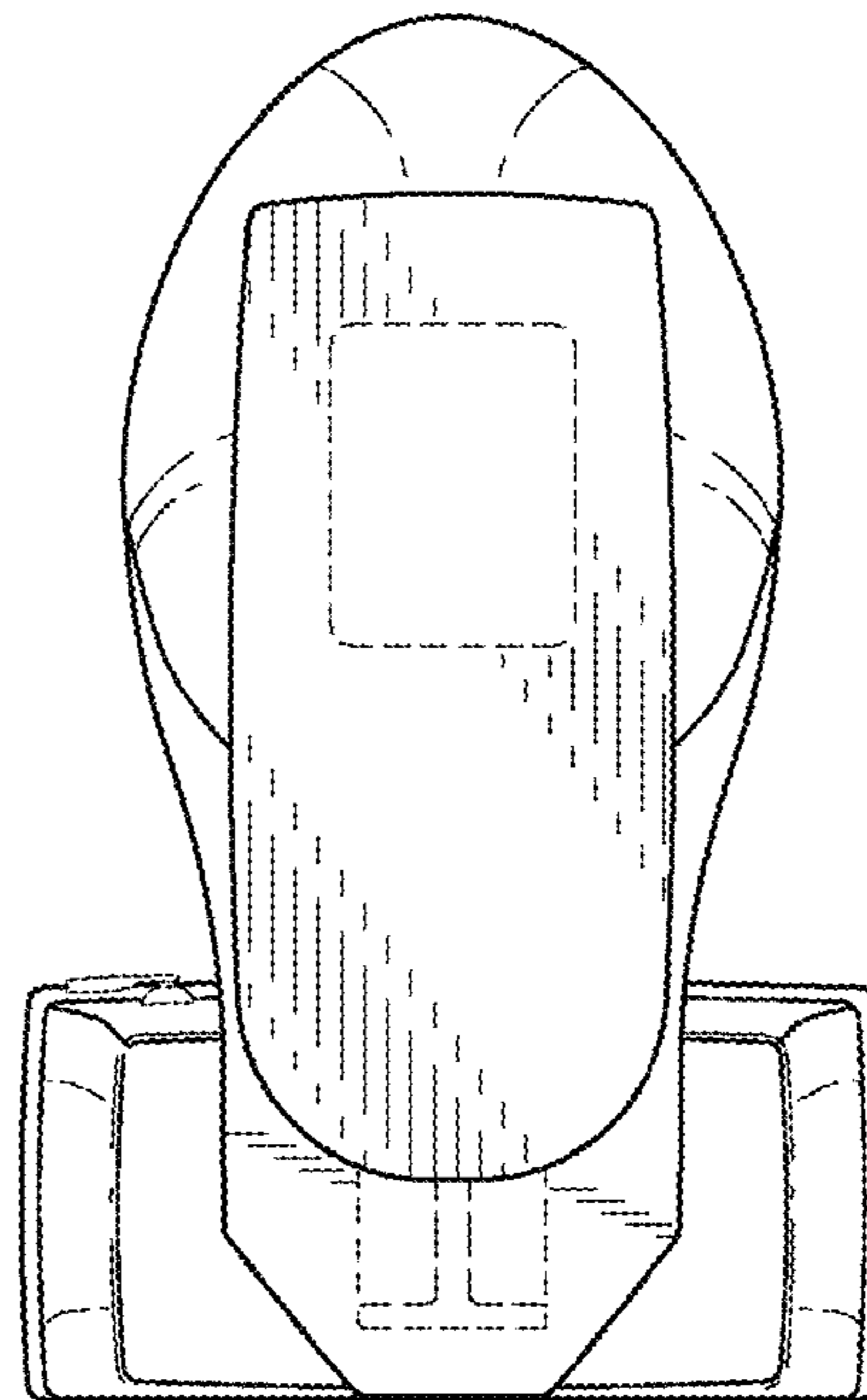


Fig-3

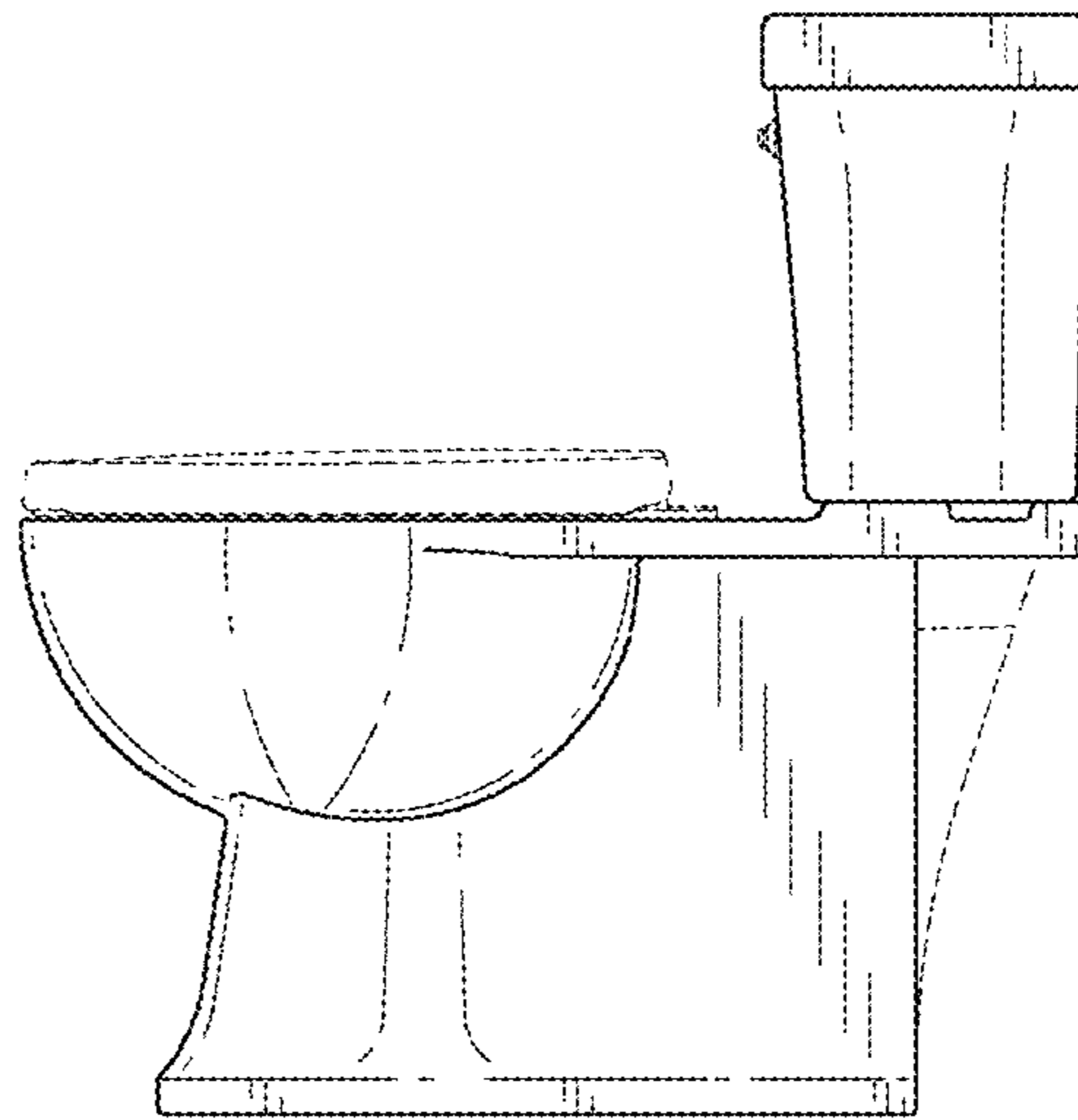


Fig-4

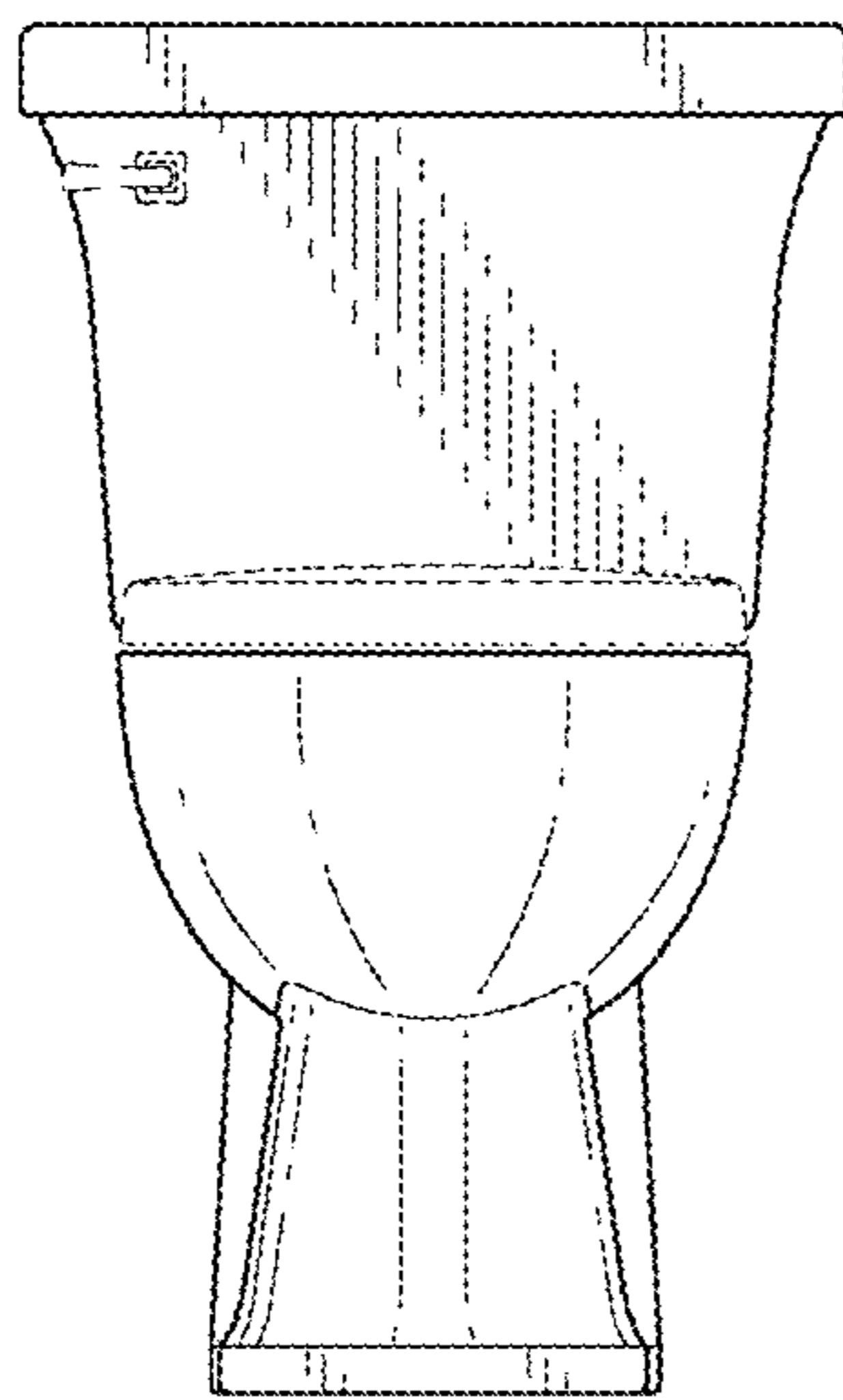


Fig-5

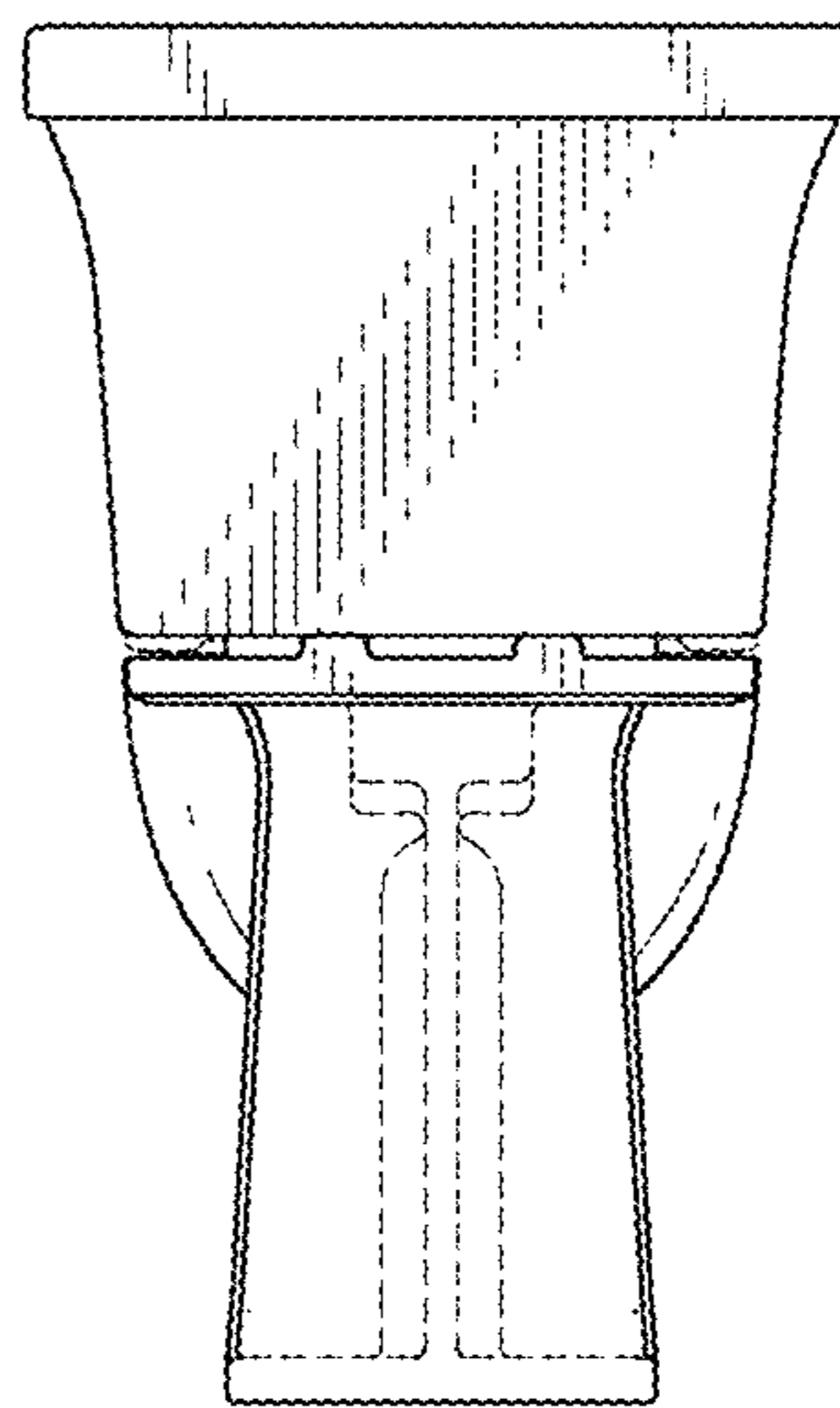


Fig-6